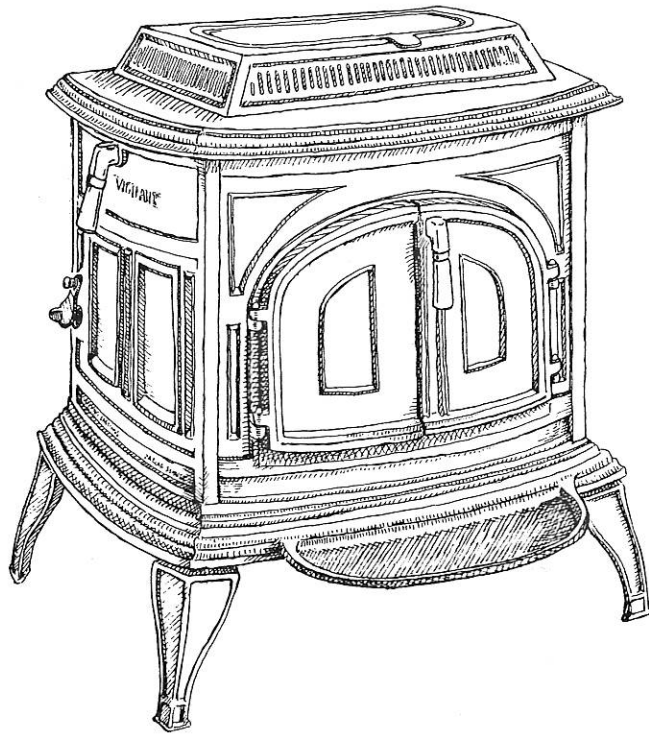


VIGILANT TOP TO BOTTOM AND BACK AGAIN



This manual has complete instructions for disassembling and reassembling your VIGILANT wood stove.

Rebuilding your Vigilant wood stove is a challenging but not difficult task. Please read through the instructions thoroughly to become familiar with the procedure. Refer to the exploded view diagram for identification of the components.

This manual is divided into the following three procedures:

Disassembly of stove	Page 4
Assembly without cement	Page 6
Assembly with cement	Page 6

All instructions given are looking at the front of the stove.

It is important to assemble the stove without cement first to make sure all the parts fit. You may notice minor design changes between some of your stove parts, the exploded view stove parts, and some replacement parts. No functions have been altered with these changes, but you may need to grind new parts slightly to fit your stove. Be sure to wear protective eye glasses and a particle mask for safety.

It may be helpful to have someone assist you as the cast iron stove parts are quite heavy. If you are disassembling and rebuilding your Vigilant alone, you may find it helpful to tie a rope around the stove to hold the castings in place.

Be sure to set aside a good block of time to reassemble the stove with cement. The furnace cement can lose its pliability if exposed to the air for a long period of time.

If you have any questions, please feel free to contact the Warranty Department at (802)728-3181.

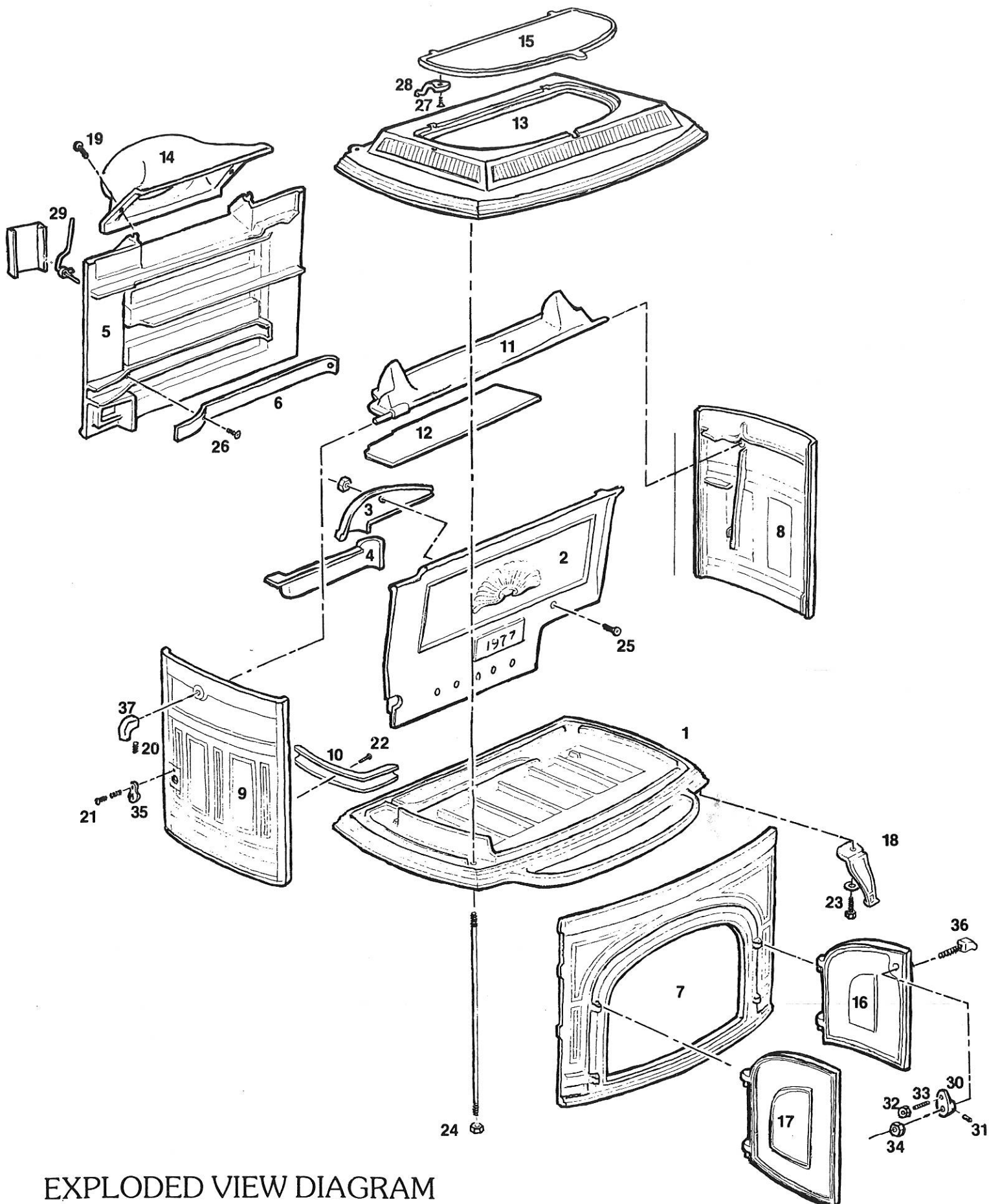
KEY TO EXPLODED VIEW

STOVE PARTS

- 1 Bottom
- 2 Fireback
- 3 Air Horn (Coverplate B)
- 4 Coverplate A
- 5 Back
- 6 Night Air Cover
- 7 Front
- 8 Right Side
- 9 Left Side
- 10 Primary Air Tube
- 11 Damper
- 12 Smokeshelf
- 13 Top
- 14 Flue Collar
- 15 Griddle
- 16 Right Door
- 17 Left Door
- 18 Leg

NUTS AND BOLTS

- 19 1/4-20x1" Phillips Round Head Screw (2)
- 20 5/16-18x5/16" Allen Screw
- 21 10-24x3/4" Slotted Truss Head
- 22 1/4-20x1 3/4" Flathead Machine Screw
- 23 3/8-16x1 1/4" Hex Head (4) and 3/8 washer
- 24 1/4-20 Hex Nuts with Tie Rods
- 25 1/4-20x2" Flathead Machine Screw and Nut
- 26 1/4-20x1 1/2" Flathead Machine Self-Tapping Screw (2)
- 27 1/4-20x1 1/2" Hex Head Self-Tapping
- 28 Griddle Quadrant
- 29 Thermostat Assembly
- 30 Pawl
- 31 1/4-20x1/4" Allen Set Screw
- 32 1/4-20 Hex Nut
- 33 1/4-20 Striker Screw
- 34 3/8-16 Lock Nut
- 35 Secondary Air Cover
- 36 Front Handle Shaft
- 37 Damper Handle



EXPLODED VIEW DIAGRAM

TOOLS NEEDED

Hammer and Block of wood or a Rubber Mallet
Large Phillips Screwdriver
Regular Screwdriver
7/16" Deep Socket and Wrench
Vise Grips
5/32" Allen Wrench for Damper Handle
Caulking Gun
Old Clothes
Protective Eyewear
10' Rope
Grinder or File
Blocks of wood or cement to support the stove.
Work Gloves
Wire Brush
Putty Knife
Particle Mask
Old or Industrial Vacuum Cleaner

MATERIALS PROVIDED

Vigilant Cast Replacement Parts
4 Tubes Furnace Cement
4 Tie Rods with Nuts
1/4-20x2" Flathead Bolt and nut for Air Horn
1/4-20x1 1/4" Self-Tap Machine Screw
for Primary Air Tube
2 cans Touch-Up Paint

VIGILANT DISASSEMBLY

STEP 1 PREPARATION

With an assistant, lift the stove onto blocks that hold the legs slightly off the floor.

Remove the legs.

Remove the Flue Collar, Griddle, Doors and the Damper Handle.

Remove the Primary Air Tube. If the screw is too tight, tap the screwdriver with a hammer or try using penetrating oil to loosen it.

STEP 2 REMOVE TOP

NOTE: When removing plates that are cemented together, always use a rubber mallet or hammer and block of wood. **DO NOT** hammer on any casting with a metal hammer.

Using a 7/16" Deep Socket, unscrew and remove all four Tie Rod Nuts. The nut may come off, or the Tie Rod may become unscrewed from the Top Plate. Either case is alright.

Tap upward around the edges of the Top Plate with the hammer and block of wood, or with a rubber mallet.

Lift the Top Plate off with the Tie Rods attached. Set aside the Top Plate for cleaning.

Unscrew the Tie Rods with vise grips held as close as possible to the Top Plate; you want to avoid any possibility of the Tie Rods breaking off inside the Top Plate.

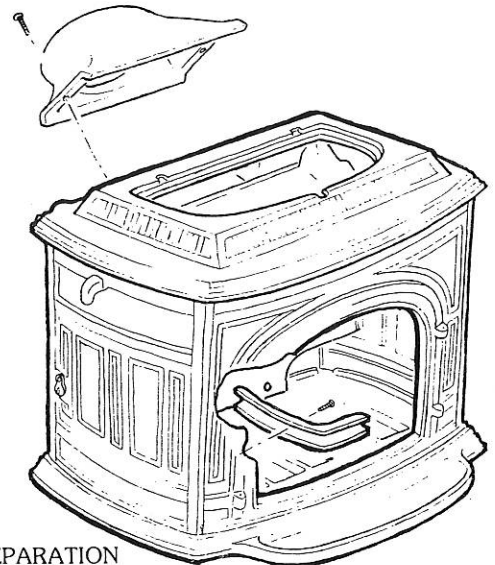


FIG. 1 PREPARATION

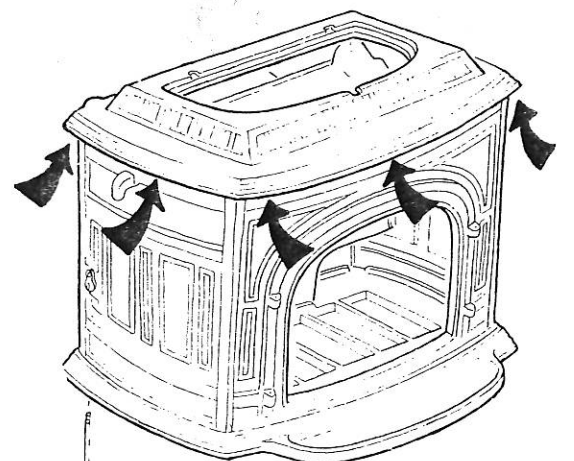


FIG. 2

HAMMER UPWARD TO LOOSEN TOP PLATE

STEP 3 REMOVE THE LEFT END

Tie a rope loosely around the stove to prevent the castings from falling as you begin to remove them.

Tap the upper edge of the Left End outward to loosen.

As the Left End leans outward, it will slip over the Damper Pin. Lift up on the Left End and remove.

Lift out the Damper.

Lift out the Smokeshelf.

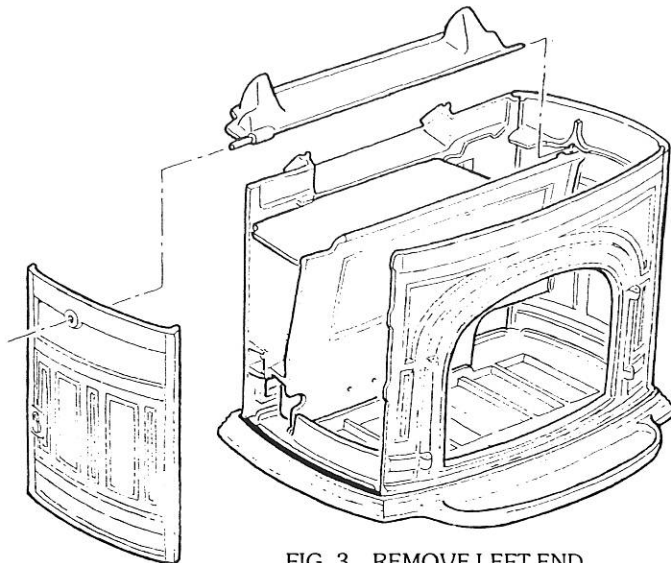


FIG. 3 REMOVE LEFT END

STEP 4 REMOVE REMAINING INTERIOR AND EXTERIOR CASTINGS

Tap the upper edge of the Right End to loosen. Push the Right End outward to release the Fireback.

While keeping the Right End temporarily in place, pull the fireback upward and toward the Left End to remove.

Remove the Air Horn (Coverplate B) from the back of the Fireback. It may be necessary to use penetration oil, and to tap the screwdriver with a hammer to loosen it.

Remove Coverplate A by prying and lifting out (FIG. 5).

With the rope still in place, lift out the Right End.

Holding the Back Plate in place, lift out the Front Plate.

Lift out the Back Plate.

YOU HAVE NOW COMPLETED THE DISASSEMBLY OF YOUR VIGILANT.

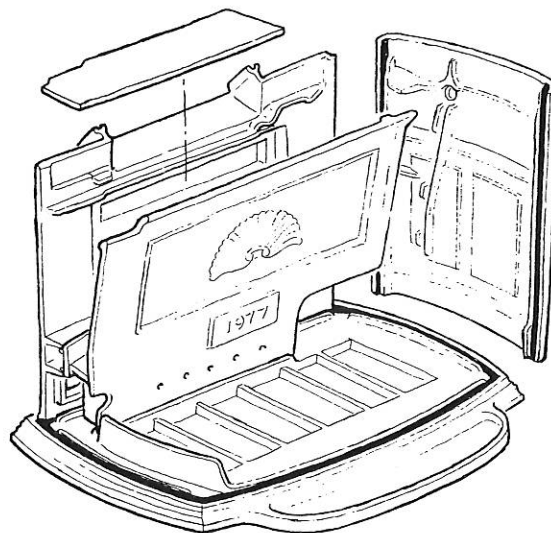


FIG. 4 REMOVE FIREBACK

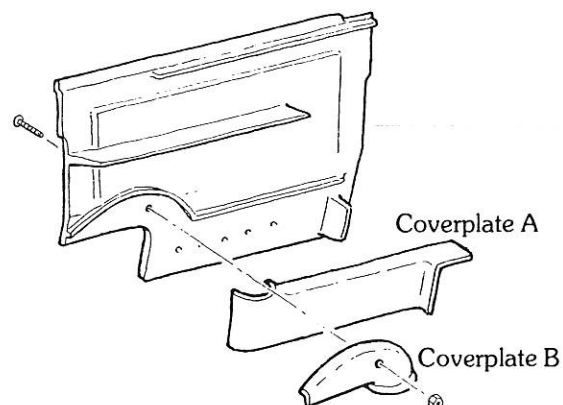


FIG. 5 REMOVE COVERPLATE A
VIEW FROM BACK OF FIREBACK

STEP 5 CLEANING

At this time, cast plates must be thoroughly cleaned of all furnace cement and ash. Pay particular attention to the channels using hammer and chisel or screwdriver. It is helpful to use a vacuum cleaner to remove dust and soot particles from the castings and stove bottom.

VIGILANT ASSEMBLY

Lay all the parts out on the floor in sequence. We recommend that you reassemble the stove once without cement to make sure all the parts fit. New parts may have to be filed.

All instructions in italics concern cementing or steps for the permanent assembly. Follow the non-italicized instructions for the dry assembly.

STEP 6 CEMENT EXTERIOR CASTINGS

Tape the Leg Bolt holes with masking tape to prevent them from filling with furnace cement.

Cement the five channels on the Bottom Plate for placement of the Front, Back, Right End, Left End, and Coverplate A. (FIG. 6).

Cement the side channels on the Right End.

Cement the Coverplate A and Air Horn (Coverplate B) channel on the back of the Fireback (FIG. 7).

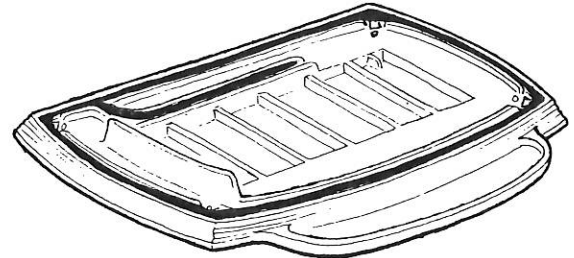


FIG. 6 CEMENT CHANNELS IN BOTTOM PLATE

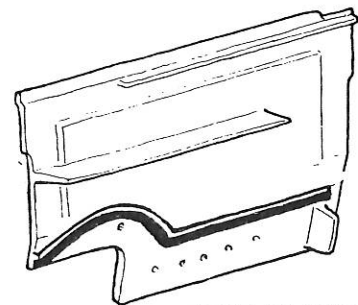


FIG. 7 CEMENT RIDGE FOR COVERPLATES A & B

STEP 7 INSTALL THE FIREBACK

Replace the Air Horn on the back of the Fireback with the new $\frac{1}{4}$ -20x2" Flathead Nut and Bolt supplied (FIG. 8). There is a hole in the new Fireback to receive this nut and bolt.

Set Coverplate A in place in its channel in the Bottom.

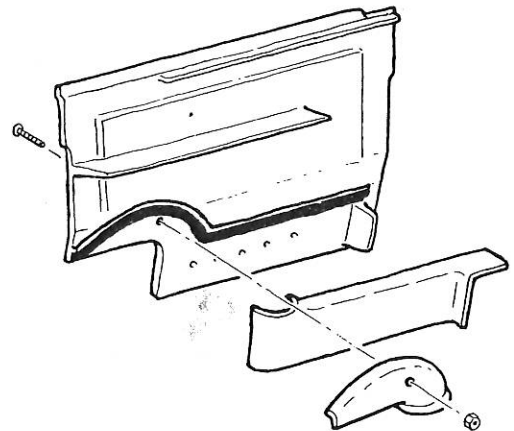


FIG. 8 REPLACE COVERPLATE A & B

Set the Fireback in the groove in the Bottom Plate with the Air Horn overlapping the edge of Coverplate A. Lean the Fireback temporarily toward the front of the stove: the channel will hold the Fireback in place (FIG. 9).

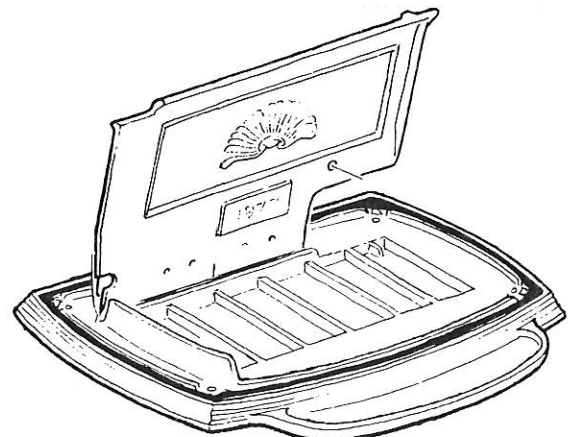


FIG. 9 REPLACE THE FIREBACK

STEP 8 INSTALL EXTERIOR CASTINGS

Set the Back in place in the rear channel. Again, lean the Back forward and the channel will hold it in place.

Set the Right End in the right side channel (FIG. 10). Simultaneously move the Fireback and the Back Plate into an upright position fitting them into the correct channels in the Right End.

With a rubber mallet, tap the Fireback, Back and Right End securely in place.

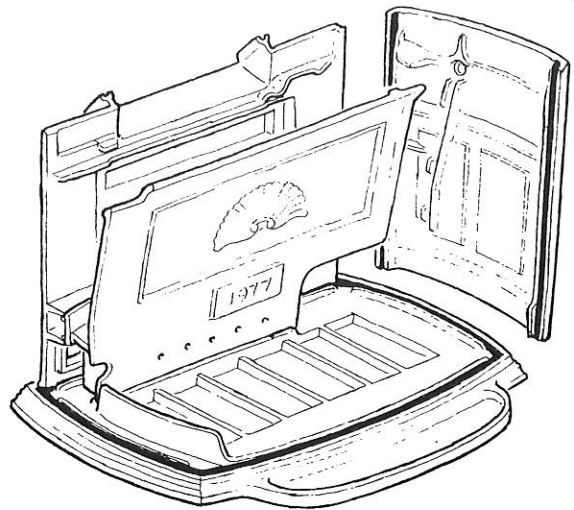


FIG. 10 FIT FIREBACK AND BACK INTO RIGHT END

Set the Smokesheff in place, resting on the Fireback and tabs on the Back Plate with the rib pointing downward (FIG. 11); slide it to the left where the square cutaway corner will allow the Tie Rod to pass by, and rectangular, bevelled cutaway will form the Damper Hinge.

Set the Damper in place.

Set Front into place.

Cement the channels in the Left End.

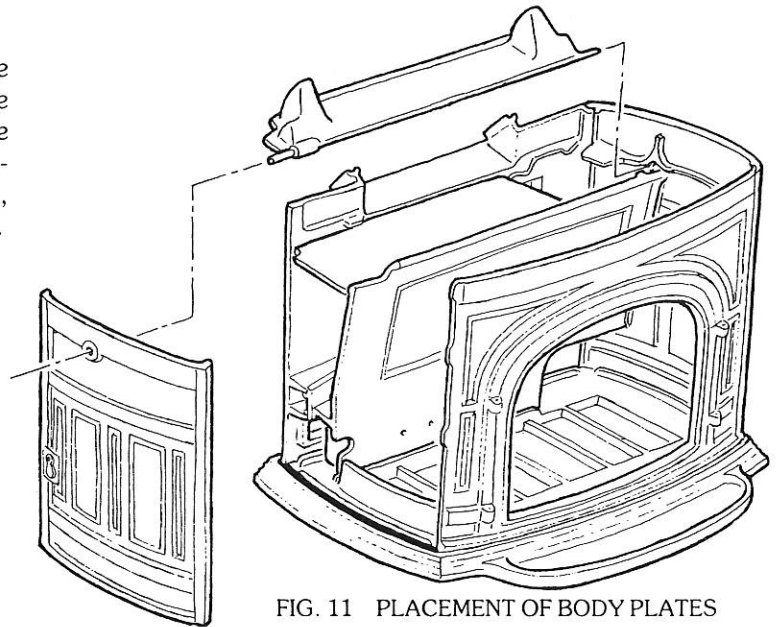


FIG. 11 PLACEMENT OF BODY PLATES

Set the Left End in the channel in the Bottom Plate and press over the Damper Pin and the Front and Back Plates. Tap firmly into place.

STEP 9 INSTALL TOP PLATE

Set the four Tie Rods in place through the holes in the Bottom Plate with the longer threaded ends pointing down. The Tie Rods can rest on the floor while the Top is being replaced.

Cement the four channels in the Top Plate (FIG. 12).

Set the Top Plate in place; hammer the top edge of all the side plates and the Top Plate to make sure that all are set securely into the channels.

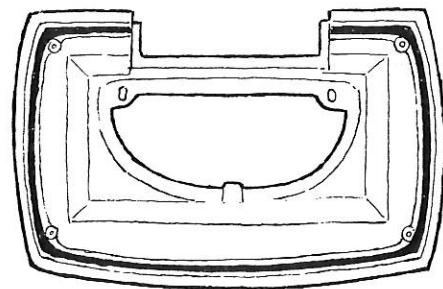


FIG. 12 CEMENT TOP PLATE

THIS COMPLETES THE DRY ASSEMBLY — YOU CAN NOW BREAK DOWN THE STOVE AND RETURN TO STEP 5 FOR THE PERMANENT ASSEMBLY.

STEP 10 INSTALL THE TIE RODS

Thread the Tie Rods into the Top Plate and hand tighten. Thread the nuts a few turns onto the bottom of the Tie Rods (FIG. 13).

With vice grips, hold the bottom of the Tie Rod and tighten further into the Top Plate. Tighten the nuts with the 7/16" deep socket. When the Tie Rod feels secure, wrench the protruding end back and forth with the vice grips to break it off just below the nut (This step is necessary to allow the replacement of the legs). Repeat for the other three Tie Rods.

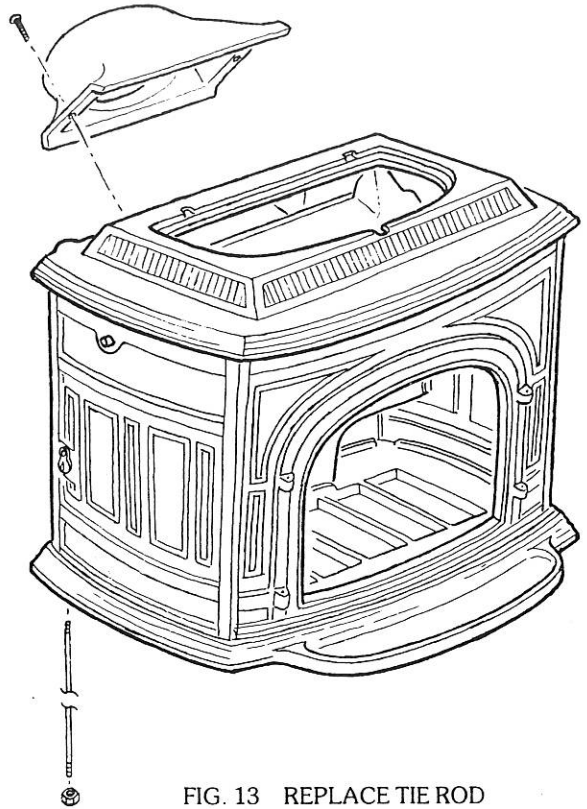


FIG. 13 REPLACE TIE ROD

STEP 11 FINISHING

Replace the Primary Air Tube on the Left End (FIG. 14).

The furnace cement sets up fairly quickly. It is necessary to clean the seams of excess furnace cement using a putty knife or your finger to smooth the cement along the seams. Then wash down the seams with warm water and a sponge.

Replace the legs.

Replace the Flue Collar, Damper Handle, Griddle and Front Doors.

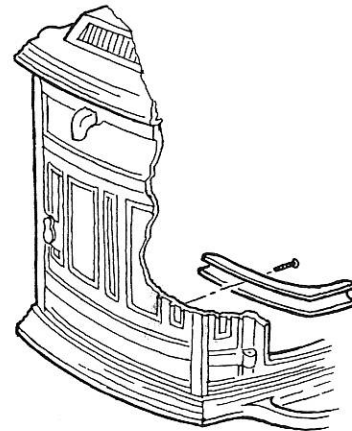


FIG. 14 REPLACE PRIMARY AIR TUBE

Repaint the stove with the touch-up paint supplied with the materials.

Reline the bottom of the stove with a 1½" layer of sand or ash.

YOU HAVE NOW COMPLETED THE ASSEMBLY OF YOUR VIGILANT.

REMEMBER: YOU MUST BUILD EIGHT TO TEN SMALL BREAK-IN FIRES WITH THE DAMPER OPEN TO TEMPER THE CAST IRON REPLACEMENT PARTS IN YOUR STOVE.