
VERMONT CASTINGS, INC.

Intrepid II

Model No. V 10 NAT GAS

Model No. V12 L.P.G

DECORATIVE COAL EFFECT GAS STOVE

Installation and Maintenance Instructions

Hand these instructions to the user

This appliance is only for use on Natural Gas (G20) at a supply pressure of 20 mbar in GB / IE (Model No. V10)

or

Propane G31 at a supply pressure of 37mbar in GB / IE (Model No. V12)

CONTENTS

		PAGE
Section 1	Information and Requirements	
1.0	Appliance Information	3
1.1	Conditions of Installation	4
1.2	Flue and chimney suitability	4
1.3	Clearances	4
1.4	Chimney inspection	5
1.5	Hearths	6
1.6	Spillage Monitoring System	6
1.7	Fitting of the removeable door handle	6
Section 2	Installation of the stove	
2.1	Unpacking the stove	7
2.2	Installing the stove	7
2.3	Installation into brick or stone built chimney with integral flue liner	8-10
2.4	Installation into brick or stone built chimney with no integral flue liner	11-13
2.5	Installation into brick or stone built chimney utilising a closure plate.	14-15
2.6	Installation using metal flue pipe with no chimney.	16-18
2.7	Rotation of the flue spigot collar	19-20
2.8	Making the gas connection	20
2.8	Gas soundness & burner pressure	21
Section 3	Assembling Fuel Bed and Commissioning	
3.1	Assembling the ceramics and fuel bed	22-25
3.2	Lighting the appliance	26
3.4	Checking for clearance of combustion products	26-27
Section 4	Maintenance	
4.1	Removal of the burner assembly	28
4.2	Removal of the control tap	28
4.3	Removal of the pilot assembly	29
4.4	Removing the spillage detection switch	29
4.5	Adjustment of the door latch	29

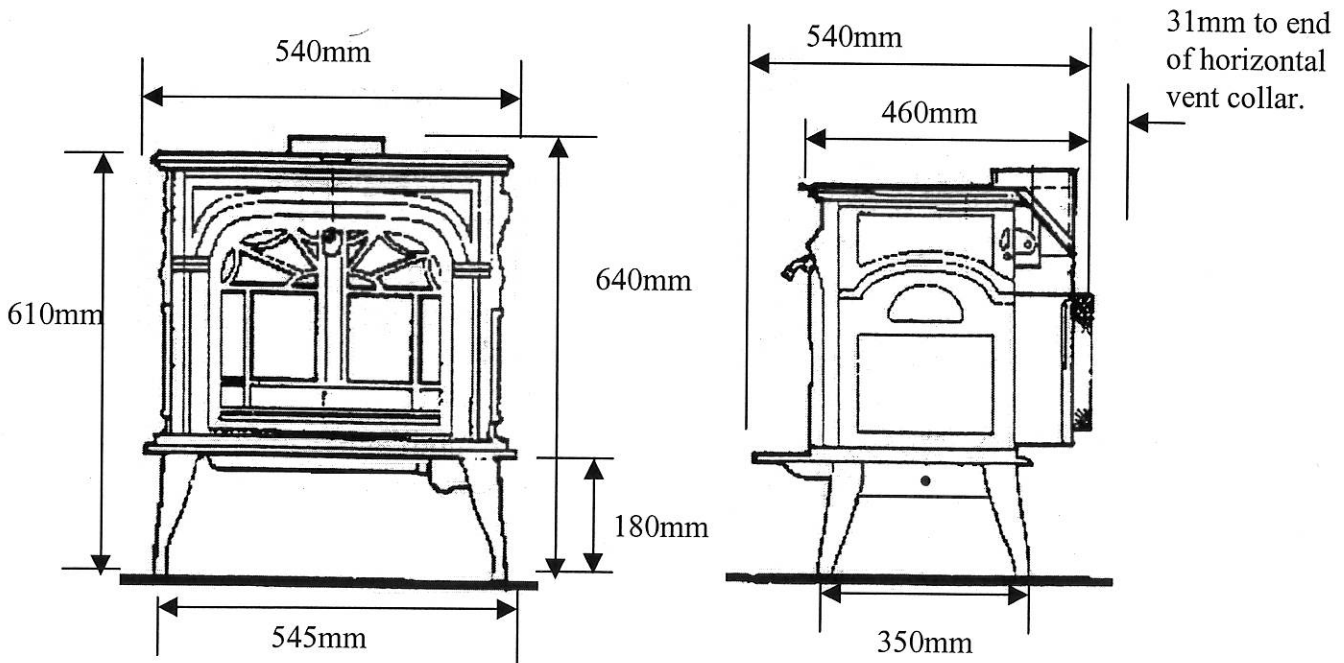
Model number V10/V12 , Manufactured by:-
VERMIONT CASTINGS, INC.
Trentham Lakes
Stoke-on-Trent
Staffordshire
ST4 4TJ

SECTION 1

INFORMATION AND REQUIREMENTS

1.0 APPLIANCE INFORMATION

Main injectors (2 off) Pilot Type	Size 280-Nat gas / Size 120-LPG S.I.T. Oxystop Type (YA OP 9055) – Nat gas (YA OP 9604) - LPG
Max. Gross Heat Input: Min. Gross Heat Input: Gas Rate Inlet Pressure :	6.8 kW 4.2 kW 0.6 m ³ /hr (20+/-1.0mbar Nat gas)(8.0 +/- 0.3 in w.g.) (37+/-1.0mbar LPG)(14.8 +/- 0.4 inw.g.)
Ignition	Integrated piezo ignition on Valve
Electrode Spark Gap	4.5mm
Stove Dimensions	
Width:	540mm
Height: (Top vent)	635mm
Height: (Back vent)	610mm
Depth:	572mm
Flue collar size	150mm (diameter)
Gas Connection	8mm Compression (Supplied with stove)



INSTALLATION REQUIREMENTS

1.1 CONDITIONS OF INSTALLATION

It is the law that all gas appliances are installed only by a CORGI Registered Installer, in accordance with these installation instructions and the Gas Safety (Installation and Use) Regulations 1994 and the rules in force. Failure to install appliances correctly could lead to prosecution. It is in your own interest and that of safety to comply with the law.

The installation must also be in accordance with all relevant parts of the Local and National Building Regulations where appropriate, the Building Regulations (Scotland Consolidation) issued by the Scottish Development Department, and all applicable requirements of the following British Standard Code of Practice.

1. B.S. 5871 Part 3 Installation of Decorative Fuel Effect Gas Fires
2. B.S. 6891 Installation of Gas Pipework
3. B.S. 5440 Parts 1 & 2 Installation of Flues and Ventilation
4. B.S. 715 Metal flue pipes for gas appliances
5. B.S. 6461 Part 1 Installation of Chimneys and flues
6. B.S. 1289 Clay Flue Blocks and Terminals
7. I.S. 816:1996 Domestic Gas Installations

No purpose made additional ventilation is normally required, for this appliance in GB.

NB. For appliances installed in Republic of Ireland, refer to Domestic Gas Installation document listed above for specific ventilation requirements.

1.2 FLUE AND CHIMNEY SUITABILITY

Minimum diameter of circular flues	125mm
Minimum effective height of all flue types	2.5 metres
Maximum horizontal flue length	150mm

1.3 CLEARANCES

The stove may be fitted below a combustible shelf providing there is a minimum distance of 610mm above the top of the stove and that it does not extend in front of the stove. There must be a minimum distance of 305mm to any combustible side surface, 305mm to any combustible rear surface and 100mm to any rear surface.

1.4 FLUE / CHIMNEY INSPECTION

Before commencing installation, a flue or chimney should be inspected to ensure that all the following conditions are satisfied.

1. Check that the chimney / flue only serves one fireplace and is clear of any obstruction. Any dampers or register plates must be removed or locked in the open position.
2. Brick/stone built chimneys or any chimney or flue which has been used for an appliance burning fuel other than gas must be thoroughly swept. The base of the chimney / flue must also be thoroughly cleared of debris etc.
3. Any under-floor air supply to the fireplace must be completely sealed off.
4. Ensure that the inside of the chimney / flue is in good condition along its length and check that there is no leakage of smoke through the structure of the chimney during and after the smoke pellet test.
5. A flue liner of minimum 5" (125mm) diameter must be fitted to the entire height of any brick or stone built chimney which has this appliance fitted, if an integral clay chimney liner is not installed.
6. The stove can be installed into various flue pipes (in accordance with BS. 715) with a minimum internal diameter of 125mm.
7. **Using a smoke pellet, check that there is an up-draught in the chimney / flue and that the smoke can be seen issuing from the terminal / chimney pot outside. There must be no leakage of smoke through the structure of the chimney during or after the smoke pellet test and it is important to check inside upstairs rooms adjacent to the chimney / flue.** Check the chimney pot / terminal and general condition of the brickwork or masonry. If the chimney or flue is in poor condition or if there is no up-draught do not proceed with the installation. If there is a history of down-draught conditions with the chimney / flue, a Tested and Certificated flue terminal or cowl suitable for the relevant flue type should be considered.

A spillage test must always be carried out during commissioning of the appliance.

1.5 HEARTHES

This appliance does not necessarily have to be installed directly onto a concrete or non-combustible hearth. However we do recommend the use of one, as this will provide a sound base and maybe a requirement of your local and national building codes and regulations.

1.6 SPILLAGE MONITORING SYSTEM

This appliance is fitted with a draft diverter and thermal switch. This is designed to shut the fire off in the event of a partial or complete blockage of the flue causing a build up of combustion products in the room in which the stove is operated. **The following are important warnings relating to this spillage monitoring system :-**

- 1) The spillage monitoring system must not be adjusted by the installer.
- 2) The spillage monitoring system must not be put out of operation under any circumstances.
- 3) When the spillage monitoring system is exchanged only a complete original manufacturers part may be fitted. It is not possible to replace individual parts on this appliance, only a complete assembly may be fitted.

1.7 FITTING THE REMOVEABLE HANDLE TO THE STOVE DOOR

The door handle which comes with the stove is designed to be removeable to prevent overheating during long periods of use. To use the handle, simply slide the collar into the door handle and open the doors. When you have either opened or shut the doors, remove the handle and store in a safe place.

IMPORTANT NOTICE : PLEASE INFORM THE CUSTOMER THAT THIS STOVE MUST NOT BE RUN WITH THE DOORS IN THE OPEN POSITION, OR IF THE GLASS IS BROKEN OR MISSING.

SECTION 2

INSTALLATION OF THE STOVE

2.1 UNPACKING THE STOVE

Carefully remove the stove from its packaging taking care not to damage the gas controls located beneath the appliance . Remove the loose items from inside the stove. Check the contents as listed :-

Packing Check List

1off	Handle (enamel stoves)
2off	Handle (cast iron stoves)
1off	Boxed hard ceramic fuelbed and 23 synthetic coals (18 Large and 5 Small)
1off each	User instruction book and Installation book
1off	Touch-up paint (enamel stoves only)
1off	Set of 3 fibre boards (Fitted)
1off	4mm Allen key
1off	3mm Allen key

NOTE: NO OPTIONAL SHORT LEGS ARE AVAILABLE FOR THE INTREPID II GAS STOVE.

CLEAN THE GRIDDLE BEFORE USE

At the factory we coat the griddle with vegetable oil to prevent rusting while the stove is in transit or storage. Remove the oil with a dry rag or paper towel before you use the stove.

2.2 INSTALLING THE STOVE

Due to the weight of this appliance it does not require any additional fixing methods.

There are several methods of installing the flue system for use with the Intrepid II stove. Please follow the installation criteria stated below dependent upon which type of flue you are planning to install the Intrepid II gas stove into :-

If you have a stone or brick built chimney with an integral clay flue liner, please refer to pages 8 to 10 for method of installation.

If you have a stone or brick built chimney without an integral clay flue liner fitted, please refer to pages 11 to 13 for method of installation.

If you have a stone or brick built chimney with or without an integral clay flue liner fitted and are planning to fit the stove using a closure plate, please refer to pages 14-16 for method of installation.

If you have no chimney, and are planning to fit the factory manufactured flue pipe or an alternative flue pipe, please refer to pages 17 to 19 for method of installation.

2.3) DIRECTLY HORIZONTAL OR VERTICAL INSTALLATION OF STOVE INTO A STONE OR BRICK BUILT CHIMNEY WITH INTEGRAL FLUE LINER.

If you require to fit the Intrepid II gas stove into a stone or brick built chimney with a chimney liner, you should first check that the flue has a positive up-draught as described on page 5 of this book.

A minimum effective flue height of 2.5m from the centre of the flue outlet spigot is required, and a flue terminal conforming to the requirements of BS 5440 : Part 1 will need to be fitted.

The flue spigot outlet has been fitted to the appliance from the factory in the vertical position, if you require to fit the flue pipe in the horizontal position, you must rotate the flue outlet spigot as shown on page 20 & 21.

A debris / register plate must be fitted around the flue pipe and the flue pipe must be sealed to both the debris / register plate and to the base of the chimney where the flue pipe enters the chimney. This should be sealed using a suitable fire cement or proprietary sealing compound.

If you are fitting the flue pipe directly horizontal on the stove, you will need to reverse the outlet spigot on the stove, as it is factory set in the vertical position. See page 20 for details of how to reverse this spigot back to the horizontal position.

With the debris / register plate sealed into position and any sealing compound cured, and with the flue outlet spigot in the correct position, set the stove to its required position and connect the flue pipe to the chimney spigot / collar. Once this is complete, proceed with the connection of the gas supply, fuelbed layout and commissioning of the stove.

On the following two pages, diagrams are shown to illustrate a **vertical installation** (page 9) and a **horizontal installation** (page 10), with relevant dimensional information.

INSTALLATION OF AN INTREPID II GAS STOVE DIRECTLY VERTICAL INTO A BRICK OR STONE BUILT CHIMNEY WITH INTEGRAL CHIMNEY LINER.

