

# Outside Air Termination Cap - Install Instructions

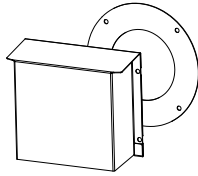
Part #1-10-09542

Models: Encore (Post 2015), Defiant (Post 2015), Intrepid Flexburn (All Models), Aspen C3 (All Models), All Harman Pellet Stoves Post 2015



## Included in Kit:

- (1) Outside Air Termination Hood
- (1) Outside Air Pipe Trim Ring



## Required for Installation:

- For use on Defiant - Outside Air Adapter:** 0003180
- For use on Encore - Outside Air Adapter:** 0003185
- 3" Diameter Metal Flex or Rigid Outside Air Pipe
- Appropriate fasteners to install hood to exterior of dwelling
- Appropriate fasteners to install trim ring to interior wall
- 3"- 4" Hose Clamp and/or Sheet Metal Screws
- RTV Silicone

Appropriate fasteners will depend on the wall & home construction and finish type. A #10 size screw is adequate for installation, but length and type (masonry, dry wall screw with anchor, standard wood screw, etc) will depend on the construction of the home.

### WARNING



#### Fire Risk - Asphyxiation Risk

Do not draw outside combustion air from:

- Wall, floor or ceiling cavity
- Enclosed space such as an attic or garage
- Close proximity to exhaust vents or chimneys



Fumes or odor may result

Outside air inlet must be located to prevent blockage from Leaves, Snow or ice, Other debris. Blockage may cause combustion air starvation.

- Fire will not burn properly
- Smoke spillage occurs when door is opened due to air starvation

### WARNING



#### Asphyxiation Risk

Outside air inlet must be located to prevent blockage from:

- Leaves, snow, ice or other debris.

Block may cause combustion air starvation.

Smoke spillage may set off alarms or irritate sensitive individuals.

### WARNING

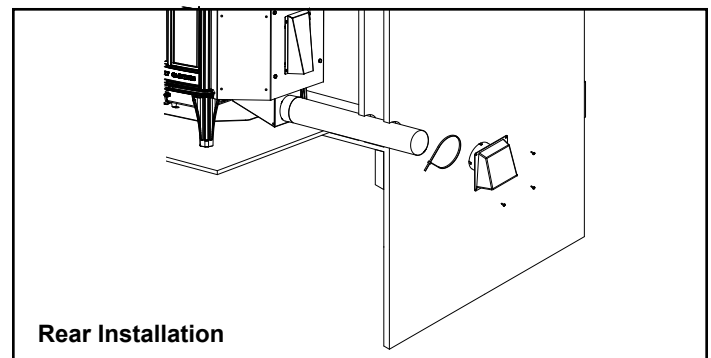


#### Asphyxiation Risk

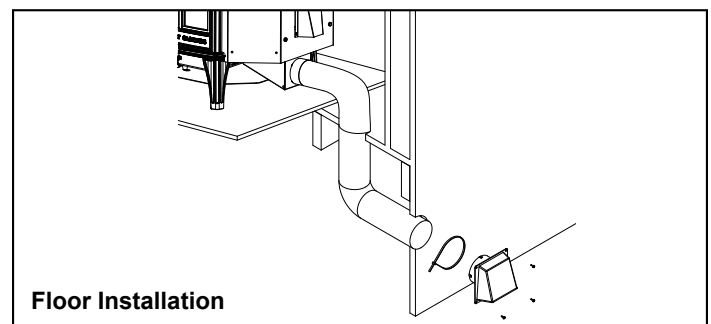
Length of outside air supply duct shall NOT exceed the length of the vertical height of the exhaust flue.

- Fire will not burn properly
- Smoke spillage occurs when door is opened due to air starvation.

1. Remove all materials from packing box.
2. Attach the outside air adapter to the bottom rear of the unit, if applicable (Encore & Defiant models only). Refer to install manual for appliance.
3. Floor & Rear Installation: Cut an appropriately sized hole, typically 1/4" larger than the diameter of the pipe being used. Outside air pipe can be installed at 0" of clearance to combustibles but must be metal.
4. Use 3" (76 mm) aluminum metal flex or rigid piping to directly connect outside air to appliance intake.
5. Secure the pipe to the unit and to the termination cap with the appropriate style of screw for the pipe being used.
6. Attach the supplied termination cap to the pipe being used. The cap must be securely fastened to the pipe using either a hose clamp or sheet metal screws at least #16 in size.
7. Seal between the wall (or floor) and the pipe with silicone to prevent moisture penetration.



Rear Installation



Floor Installation