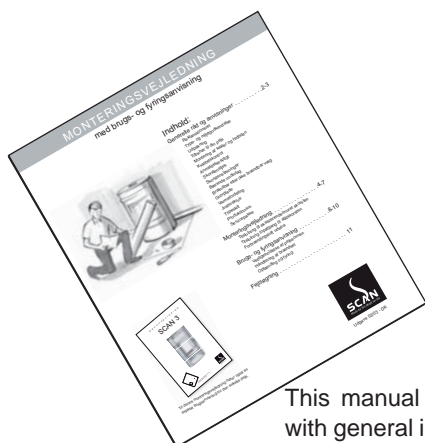


I N S T R U C T I O N S F O R  
I N S T A L L A T I O N A N D U S E

# SCAN

## DSA FS 600



EN 13229 2005

This manual is accompanied by a pamphlet with general instructions for installation as well as the instructions for installation and use for the DSA 6 insert.



Edition 09.06 - GB

# Congratulations on your new SCAN insert!

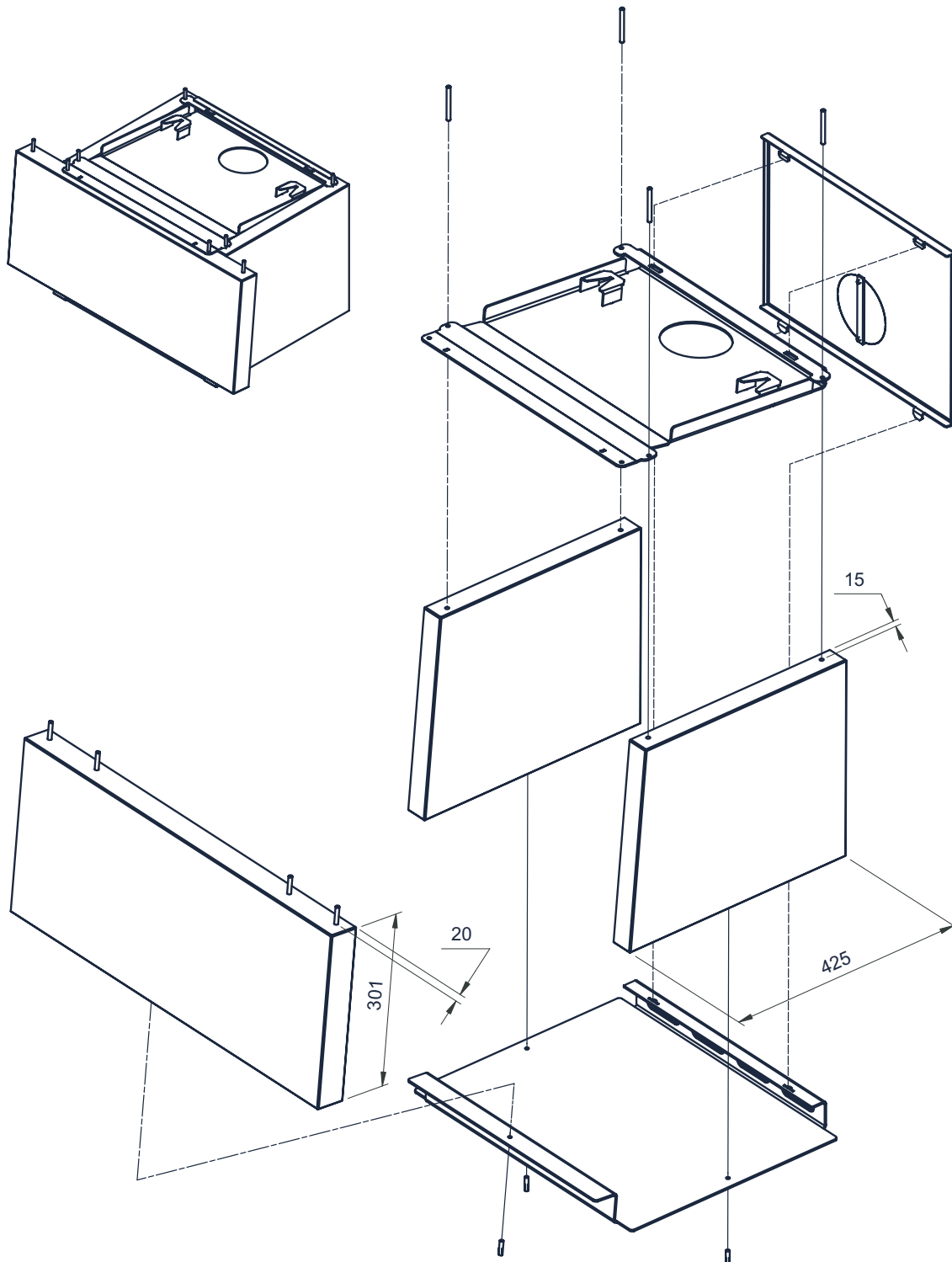
You have chosen a product from one of Europe's leading manufacturers of wood-burning stoves. We are convinced that your insert will be to your full satisfaction and give you many hours of pleasure if you follow the advice and instructions of this manual.

Please read this manual as well as the **General Instructions for Installation** before beginning the installation.

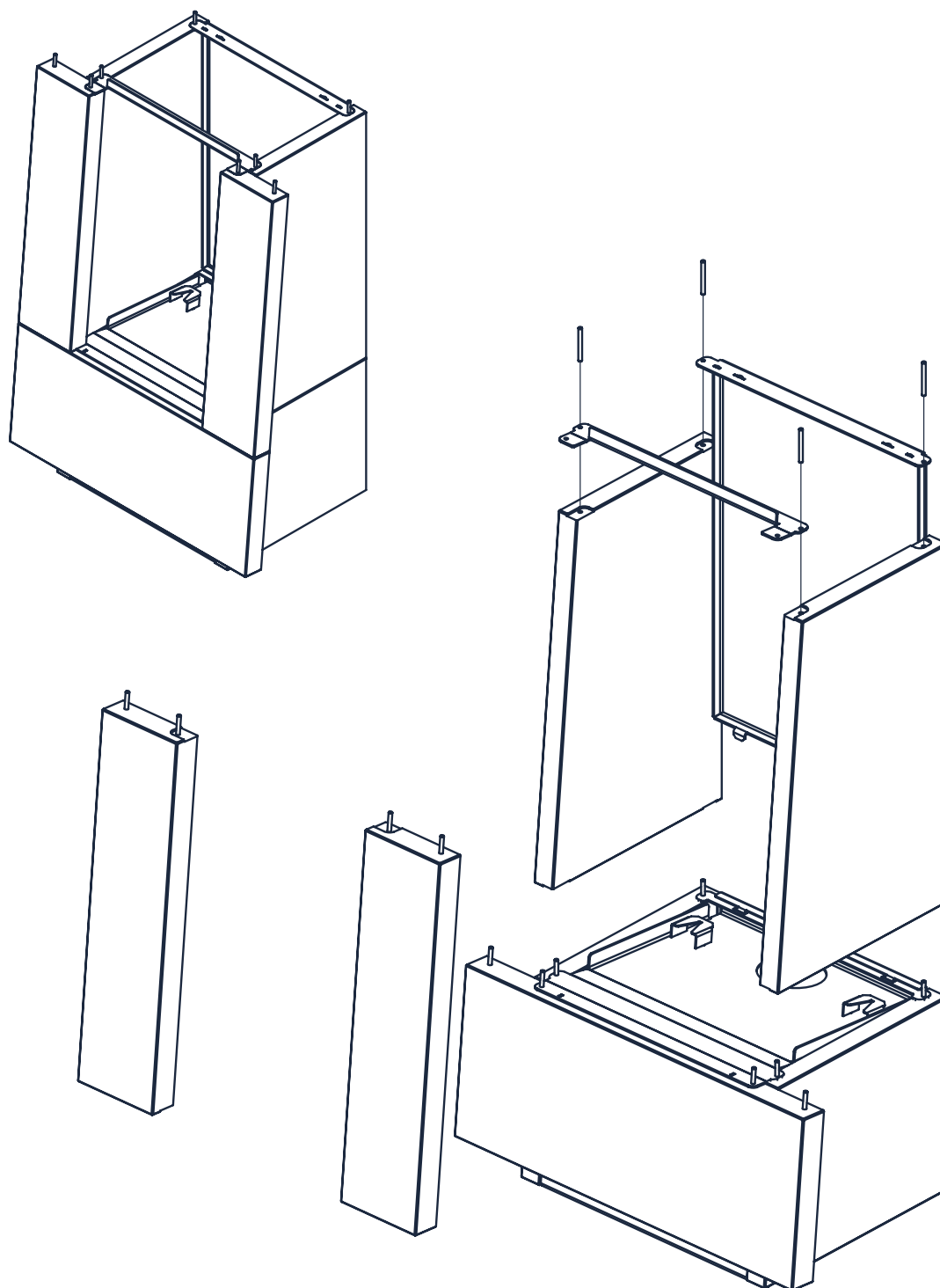
## Mounting of the soap stones

It is very important that the soapstone covering is placed on a level and horizontal surface.

1.



2.



## Mounting of the insert

Follow the instructions for installation and use for SCAN DSA 6 insert.

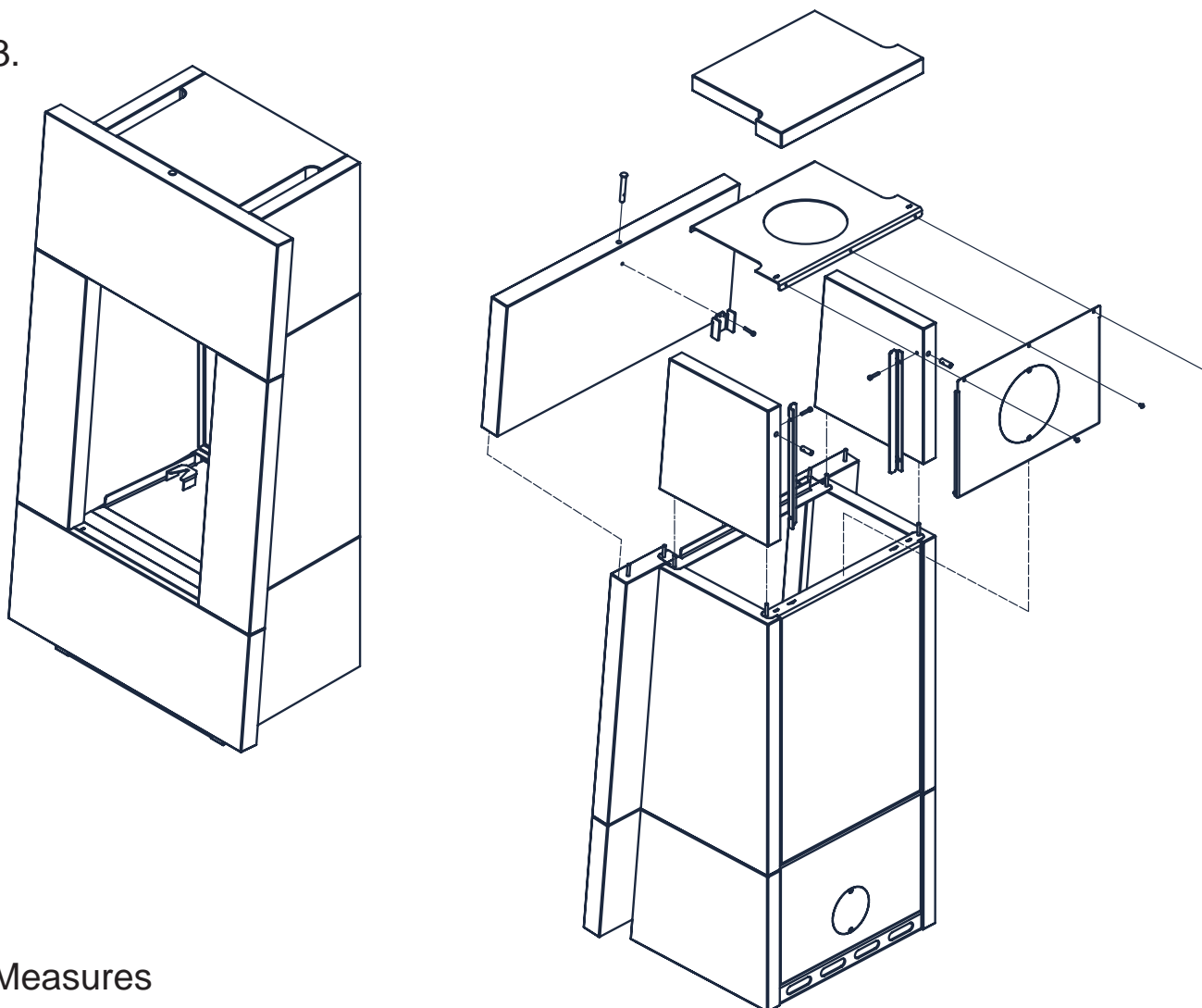
You should read this manual as well as the **General Instructions for Installation** before beginning the installation.

## Warranty conditions

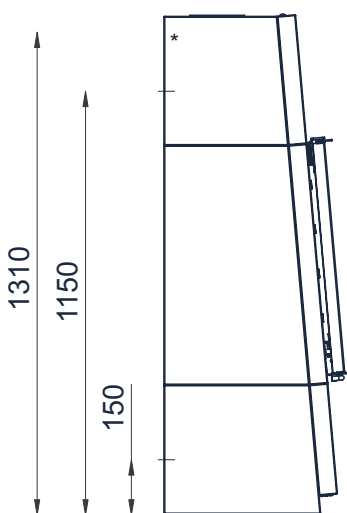
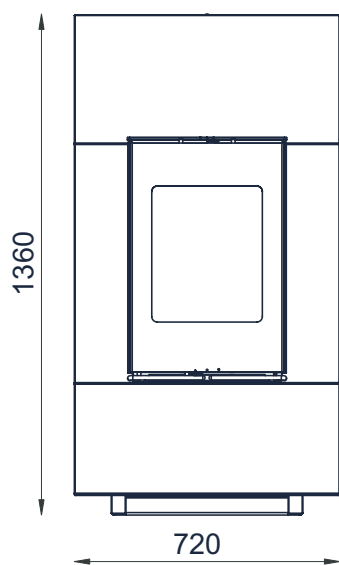
All SCAN wood-burning stoves and inserts are made of first-class material and are subject to a strict quality control before they leave the factory. However, if an error should occur, we back all SCAN wood-burning stoves and inserts with an extensive, five-year limited warranty.

See also the **General Instructions for Installation** delivered with your insert for more details.

3.



## Measures



Weight: 294 kg (insert included)

\* Height to the beginning of the flue pipe at top outlet

