

I N S T R U C T I O N S F O R
I N S T A L L A T I O N A N D U S E

SCAN

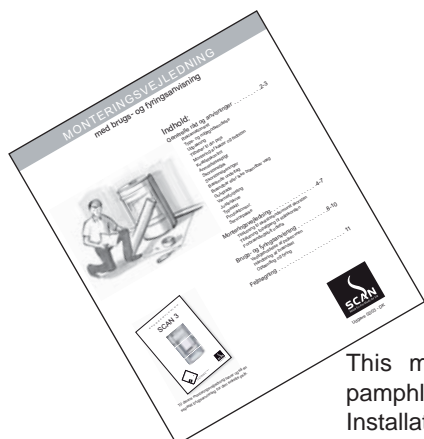
DSA 8 & DSA 8-5



Congratulations on your new SCAN insert!

You have chosen a product from one of Europe's leading manufacturers of wood-burning stoves. We are convinced that your insert will be to your full satisfaction and give you many hours of pleasure if you follow the advice and instructions of this manual.

Please read this manual as well as the General Instructions for Installation before beginning the installation.



EN 13229 2005

This manual is accompanied by a pamphlet with General Instructions for Installation.



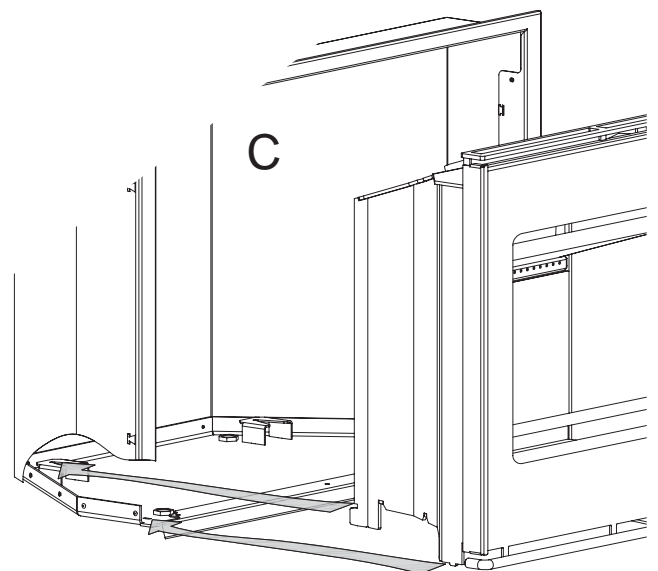
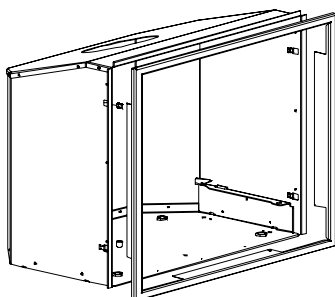
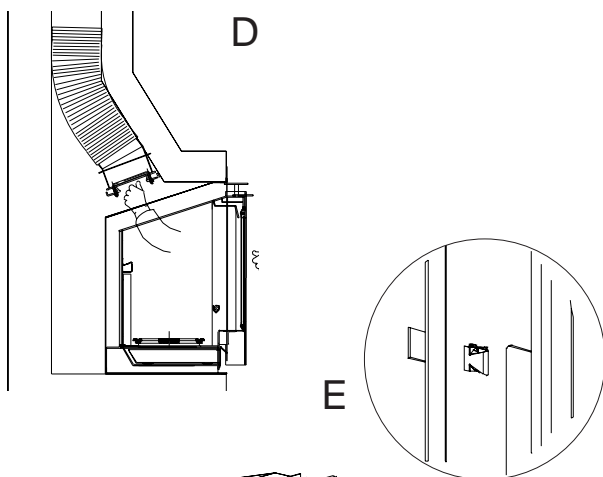
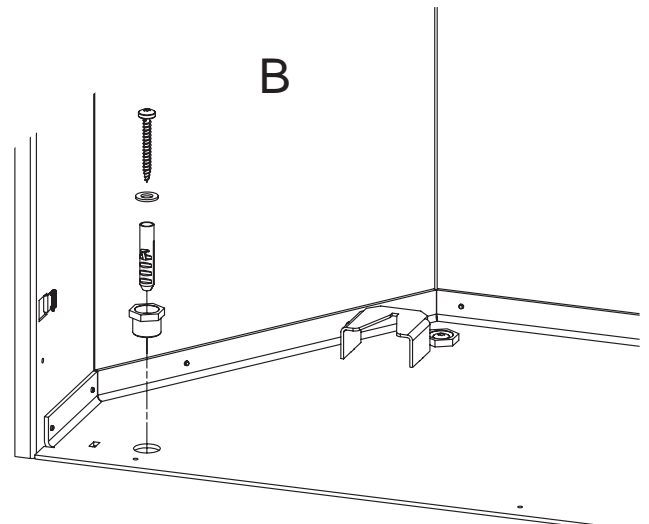
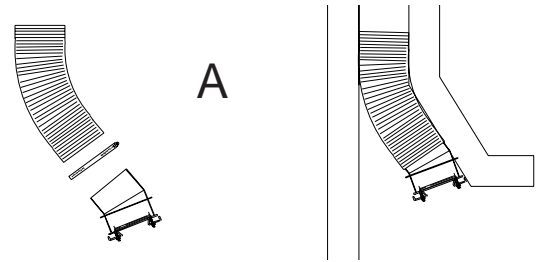
Edition GB 26.03.07

Mounting of the insert in an open fireplace

Before beginning the mounting, it is important that you check the density of your chimney. The area of the chimney must be min. 175 cm², which corresponds to a diameter of approx. 150 mm.

Follow the pictures point per point, when mounting your insert. If you have any questions or uncertainties, your authorised dealer will be able to assist you with the mounting.

- Remove the damper in the existing fireplace/chimney. Clean the fireplace thoroughly of any soot residues. When connecting the SCAN DSA 8 or 8-5 you can use flexible tubes as well as steel tubes. If you use flexible tubes, this may reduce the draught in the stove considerably; we therefore recommend the use of steel tubes.
- Fasten the connection piece on a steel tube in a suitable length (A) (if you use a flexible tube instead of a steel tube, a special connection piece is available).
- Fasten the steel tube/flexible tube in the chimney and seal around it.
- Place the loose convection mantle of the insert on the bottom of the fireplace (in the centre). The bottom must be level. Adjust the convection mantle with the four adjustment bolts and fasten it to the bottom of the fireplace (B).
- Mount the clips in the four holes of the convection mantle (if necessary, press them in place with a screw driver (E)).
- Press the trim in to place.
- Push the insert into the mantle and adjust according to sketch C.
- Take out the ceramic smoke deflector plates (see next page).
- Pull down the connection piece and place it in the flue outlet of the insert. Fasten it with the fittings and remount the ceramic smoke deflectors (D).



CB-technique (Clean-Burn)

Wood-burning inserts equipped with a Clean-Burn technique have a separate canal that leads extra combustion air (tertiary air) into the combustion chamber. This air is introduced in the combustion chamber through the small holes in the stainless-steel rail beneath the ceramic smoke deflector.

Primary air

The regulation for primary air is used when lighting the fire and in order to get the fire going when refuelling the wood-burning insert. During continuous firing with hard wood like oak and beech, the primary air should be open 25-50%. When using soft wood like birch and pine, the primary air should be closed. Push the regulation button sideways. Left position is closed and right position is open.

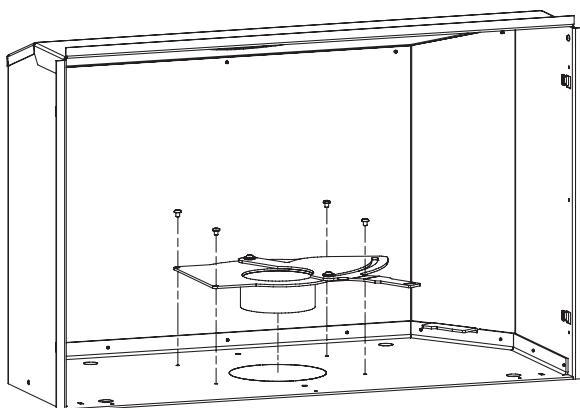
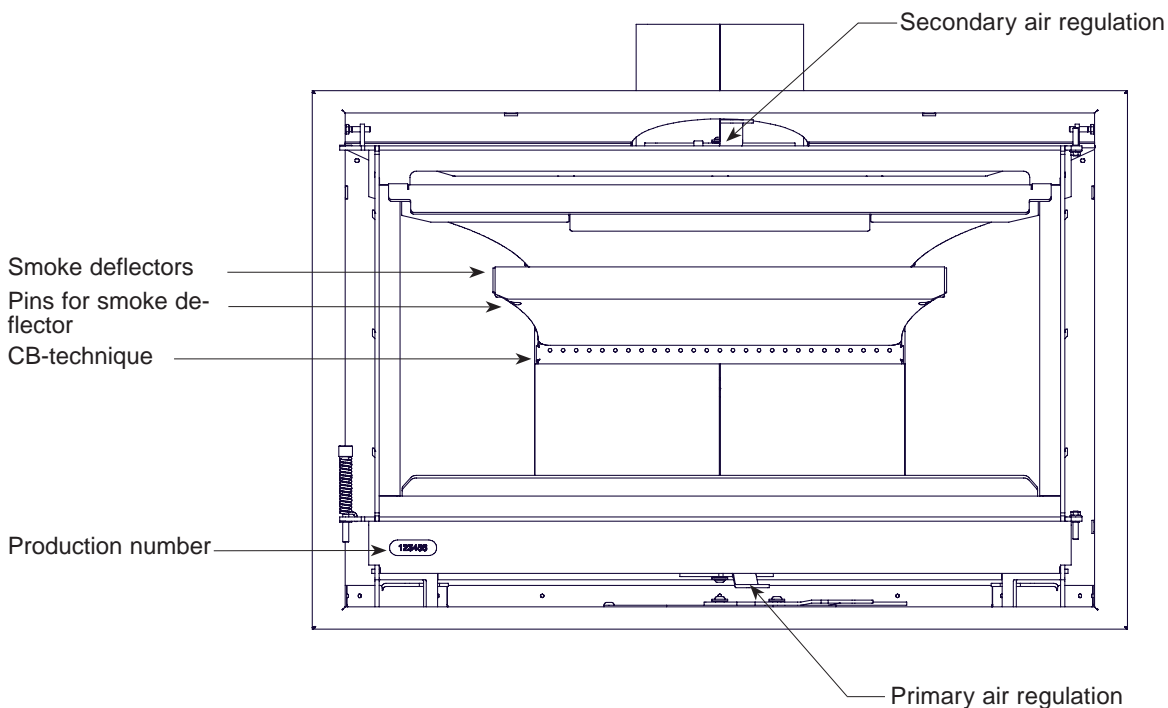
Secondary air

The Secondary air is preheated in canals around the combustion chamber, from where it is led in front of the glass and then into the fire. Apart from providing oxygen to the combustion, the secondary air contributes to keep-

ing the glass clean. If you close the Secondary air too much, the risk of getting sooty glass is increased. You can regulate the desired heat quantity with the Secondary air. Push the regulation button sideways. Left position is closed and right position is open.

Ceramic smoke deflectors

There can be one or more ceramic smoke deflectors that are placed in the upper part of the combustion chamber. Their function is to lower the temperature of the smoke before it goes up into the chimney, so the stove gives off more heat. After the chimney has been swept, you should remove or rock the ceramic smoke deflectors in order to remove the resulting soot. Lift up the lower ceramic smoke deflector, pull out the pins in the lateral combustion chamber plates, and remove the deflector. The upper deflector is removed in the same way. We recommend that you treat the ceramic smoke deflector with caution. They are made of a porous material (Skamol) and are not included in the warranty.



Mounting of connecting piece for fresh air inlet with valve

If you have ordered the insert with a fresh air inlet, it should be mounted as shown on the sketch.

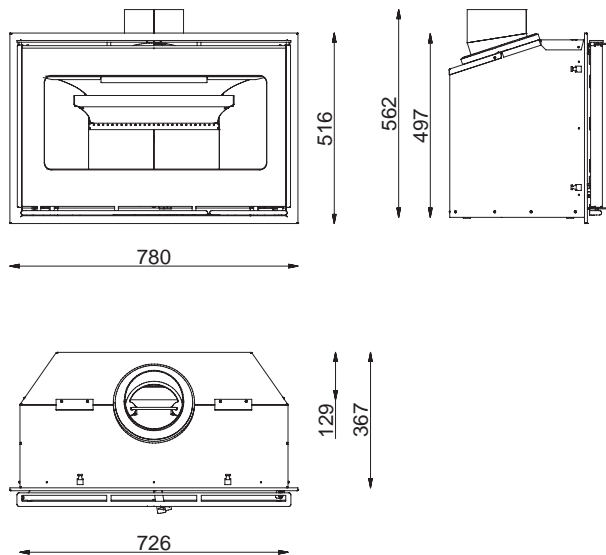
SCAN DSA 8 & 8-5

Technical info and measurements

Emission (% CO at 13% O ₂):	0,11%
Efficiency:	78%
Rated output:	7 kW
Chimney temperature:	380 C°
Flue outlet flow:	7,5 g/sek
Recommended low pressure in conn. piece:	16 Pa
Recommended fuel:	Wood
Amount of fuel:	2,0 kg
Min./max. (information from the factory):	3-8 kW
Weight:	89 kg
Connection piece, int. diameter:	156 mm
Connection piece, ext. diameter:	160 mm
Approval type:	Intermittent

Intermittent combustion is the same as a normal use of the wood-burning insert. This means that the wood should burn down to embers, before refilling the stove.

SCAN DSA 8 and 8-5 are produced according to the type approval of the product in which are included the instructions for installation and use.



Warranty conditions

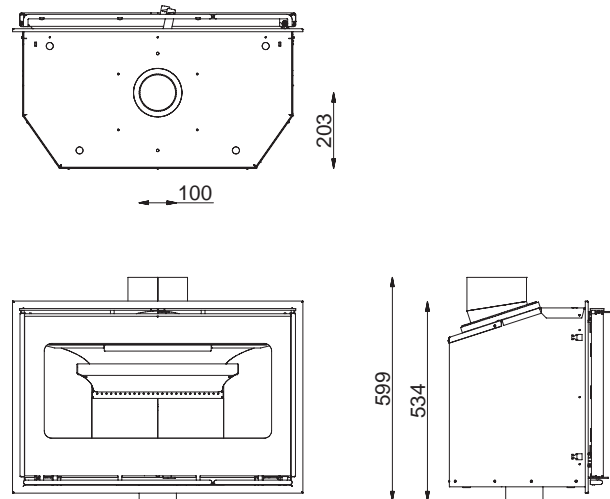
All SCAN wood-burning stoves and inserts are made of first-class material and are subject to a strict quality control before they leave the factory. However, if an error should occur, we back all SCAN wood-burning stoves and inserts with an extensive, five-year limited warranty.

See also the **General Instructions for Installation** delivered with your insert for more details.



Production number

Write the production number of your insert here so that you have it at hand in case you need to contact us.



Measurements for insert with connecting piece for fresh air inlet with valve

SCAN DSA 8 & 8-5 in an existing fireplace

If you plan to insert a SCAN DSA 8 or 8-5 into an existing open fireplace, it is important that you keep a distance of 3-5 mm around the masonry. This will prevent cracks in the bricks, as metal expands when heated.

NB: Wood-burning inserts are exclusively to be mounted in non-combustible constructions.

Adjustment at normal charge for SCAN DSA 8 and 8-5

Secondary air %	Primary air %	Amount of fuel kg	Chimney draught Pa	Flue outlet flow g/S	Temp. flue outlet °C	Rated output kW	Fuel kg/h	Efficiency %
75	75	2	16	7,5	380	7	2,5	78

We recommend a chimney draught of 16 Pa in order to achieve an optimal functioning of the insert under all conditions.