



## Congratulations on your new SCAN stove!

You have chosen a product from one of Europe's leading manufacturers of wood-burning stoves. We are convinced that your insert will be to your full satisfaction and give you many hours of pleasure if you follow the advice and instructions of this manual.

Please read this manual as well as the **General Instructions for Installation** before beginning the installation.

### Service bag

- 1 hexagon spanner
- 1 distance piece (to be used when the door is opened for cleaning, servicing or dismantling)
- 1 oven mitt
- Firelighters for the first lighting

### ① Opening of the door

At the delivery of the stove, the door is locked. You can open it by pulling out and turning the locking button at the same time. The lock should not be activated in daily use, as the guiding axe may be scratched and unnecessarily worn.

When the door is completely open, you can lock it by activating the locking button in the right side.

### Before the installation

We refer to the General Instructions for Installation delivered with the stove concerning security distances (see also page 4 of this pamphlet), requirements of flooring, etc.).

The stove is only to be mounted on a non-combustible wall. Furthermore, there are not to be any combustible materials in the wall - or by thin walls, behind the wall. You should always check the nature and resistance of the wall.

### Connection to the chimney

If the stove is to be connected with a top outlet, you should lift off the top plate (fig.3) and mount the tube with damper in the connecting piece (fig. 4). Remove the screw in the punchings and press them out, so that the tube with damper and rod can be mounted. The tube with damper has a diameter of Ø 179 mm outside / Ø 175 inside. We recommend that the chimney adaptor fit into the tube with damper to lead condensation and rain into the stove instead of on the top plate. The chimney should continue with the same dimension and have a length that ensures a proper functioning of the stove. Read more about chimney connection in the General Instructions for Installation.

If the stove is to be connected with a rear outlet, you should lift off the top plate and unscrew the cover plate at the rear. The four screws that hold the connecting piece are to be unscrewed from the inside. Turn around the connecting piece 180 degrees and tighten it again with the four screws. Mount the tube with damper from the outside and put on the top plate again. The stove is now ready for the mounting of the chimney.

You should always respect the instructions from the supplier of the chimney.

### Damper/regulation of the chimney draught

The chimney draught is regulated by means of the damper above the stove.

### Mounting

The mounting must be done in accordance with the local rules in the country where the stove is installed. The stove must be mounted on the delivered wall fittings. The stove must be mounted craftmanslike and with due consideration to the nature of the wall. Check with your supplier of bolts to ensure that you use the correct bolts.

The DSA 5 weighs approx. 190 kg. We therefore recommend that you demount the steel mantle before mounting the stove.

If the stove is to be installed with a rear outlet, you should first mount the wall sleeve (pos. 1) and then stick the extension pipe (pos. 2) into the wall sleeve.

When the wall fitting (pos. 3) is fixed solidly on the wall, the stove can be lifted by three persons or with an appropriate lifting device onto the platform and adjusted into the right position. Then stick two 3/4" steel tubes with a minimal length of 100 cm (not delivered with the stove) into the two Ø 30 mm holes behind the support. One person can now lift the stove ca. 3 cm, while another person pushes and guides the stove, until the distance bushings (pos. 4) are over the "forks" of the wall fitting, whereafter the stove can be lowered onto the forks. Now the supporting platform can be adjusted upwards by means of the two adjustment screws (pos. 5) at the bottom of the platform, to that the platform supports the bottom of the stove.

Draw the extension pipe (pos. 2) partly out of the wall sleeve, until you can catch the Ø 6 mm hole of the tube with the screw (pos. 6).

If a chimney is to be installed on top of a wall model, the chimney **must** be self-supporting. It is **not** to rest on the stove. Consult your authorised dealer.

Krog Iversen & Co. A/S carries no responsibility for the mounting of the wall model.

### Combustion air

Push the handle to the left in order to open and to the right in order to close. The air is used for the combustion and regulates the efficiency of the stove.

### Cleaning of the glass

If you need to clean the glass, the door can be opened in the following way:

**IMPORTANT!** Close the door and lock it by turning the locking button (see "Opening of the door") before you begin.

In order to protect the ceramic gasket at the bottom of the door, you should place the distance piece (fig. 5) under the door in the left side. Put a 6 mm hexagon spanner in the hole of the right side of the door (fig. 6) and turn clockwise. Swing out the door, clean the glass and close the door. Turn the screw counter-clockwise and remove the distance piece.

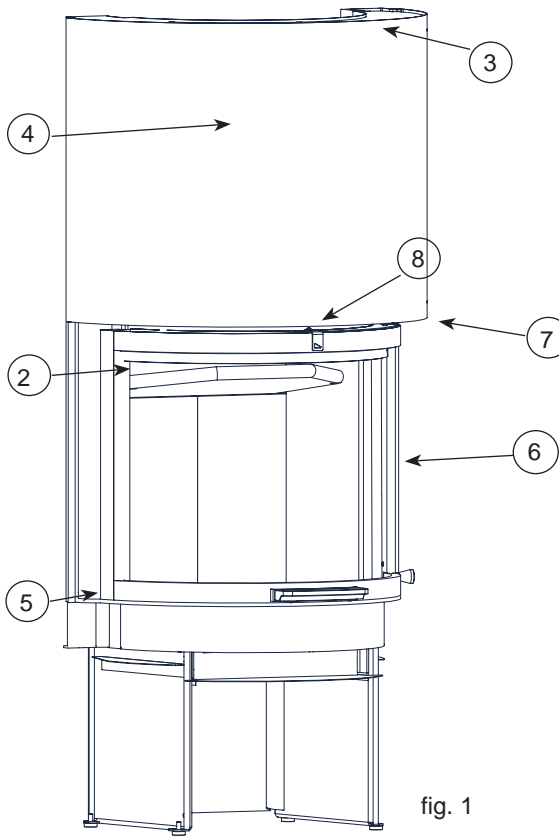


fig. 1

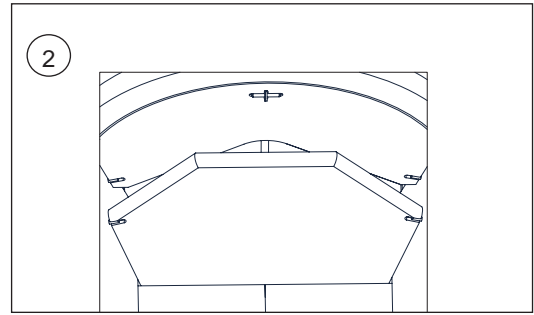


fig. 2

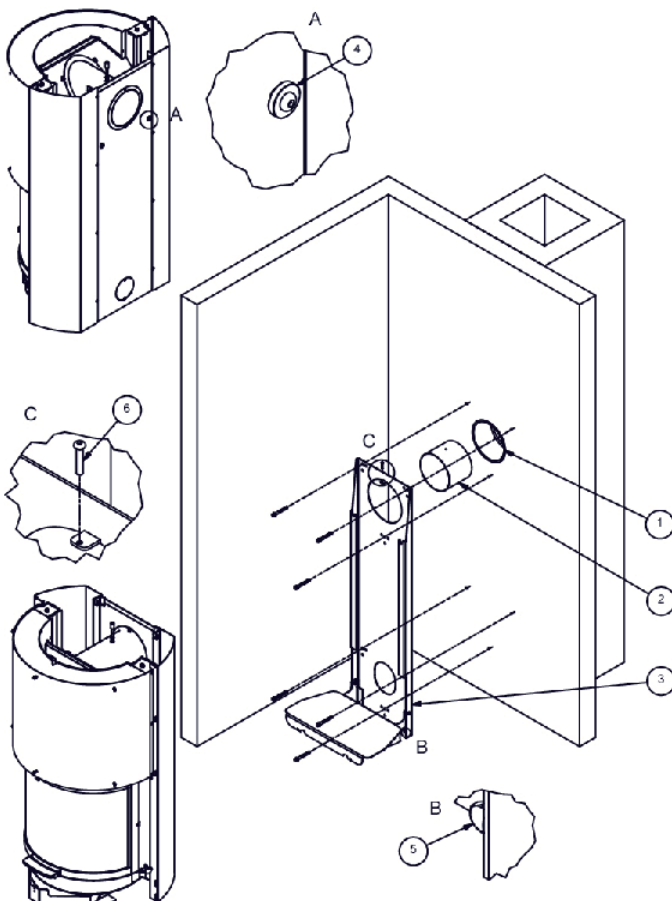
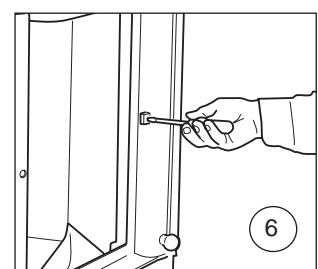
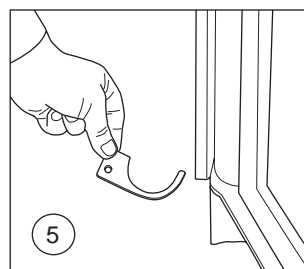
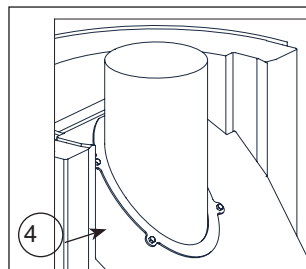
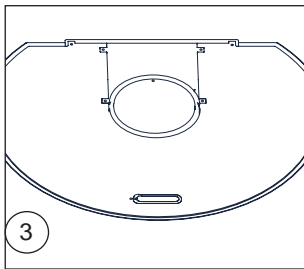
## Ceramic smoke deflector

After the chimney has been swept, you have to remove the soot that has fallen down onto the ceramic smoke deflector. Lift up the deflector in one side and tilt it down in the other side so that the soot falls into the combustion chamber. Attention! The smoke deflector is made of Skamol, which is a delicate material that easily breaks, so take care when handling it.

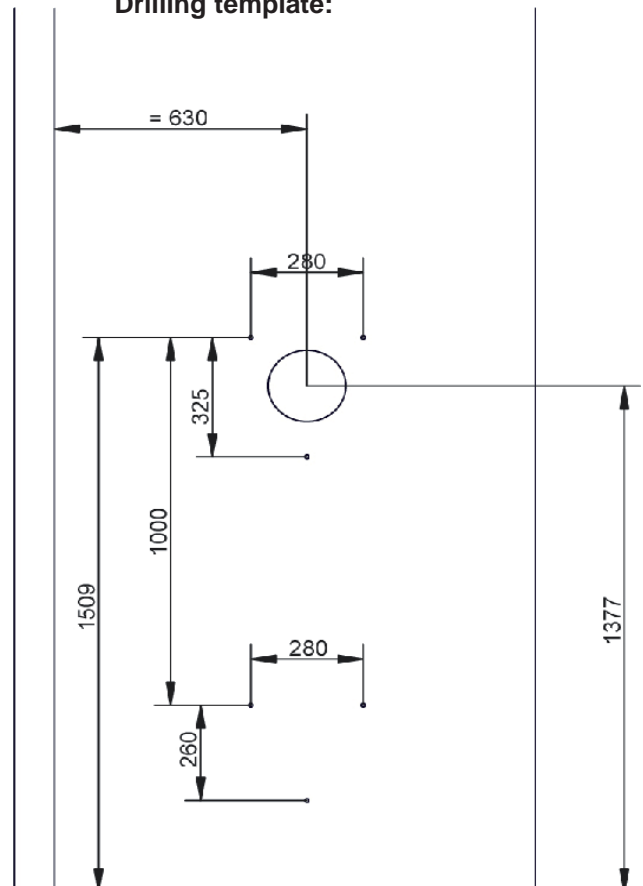
## Accessories

For the wall model you can have the following accessories:

- Front plate at the door (steel or soapstone)
- Cover for the elbow
- Rear or top plate in stainless steel
- Connection piece for fresh-air intake



### Drilling template:



# SCAN DSA 5 WALL MODEL

## Warranty conditions

All SCAN wood-burning stoves and inserts are made of first-class material and are subject to a strict quality control before they leave the factory. However, if an error should occur, we back all SCAN wood-burning stoves and inserts with an extensive, five-year limited warranty.

See also the **General Instructions for Installation** delivered with your insert for more details.

644800

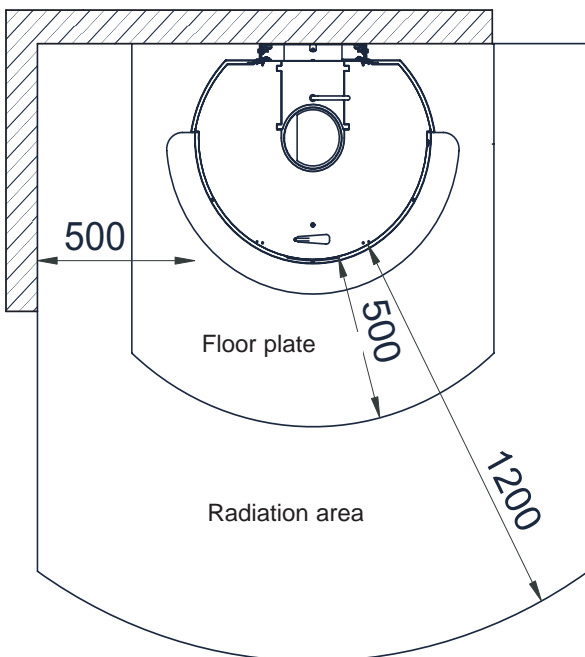
Production number

Write the production number of your insert here so that you have it at hand in case you need to contact us.

## Technical info and measures:

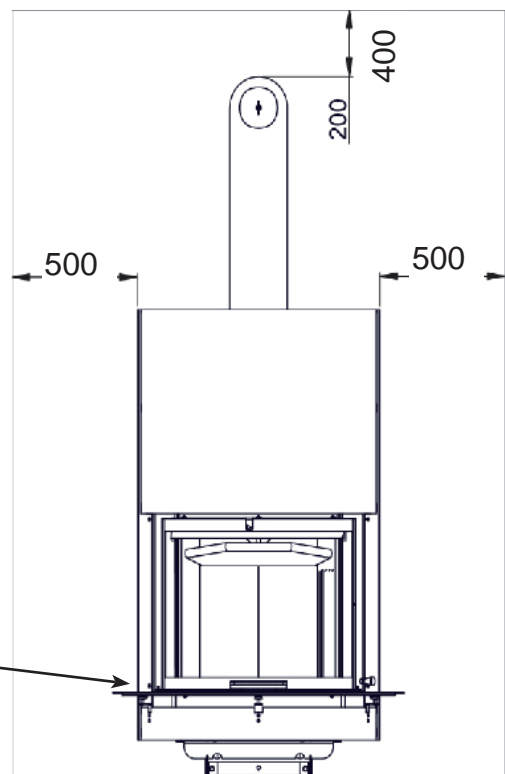
Rated output: 8 kW  
 Min./max.: 8-10 kW  
 Weight DSA 5, wall model: 190 kg  
 Connection piece, int. diameter: ext. 179 mm  
 Fuel (max.): 2.5 kg

### Distance to flammable materials (mm)



400 mm from the lower edge of the combustion chamber

### Minimum measurements of the non-combustible wall (mm):

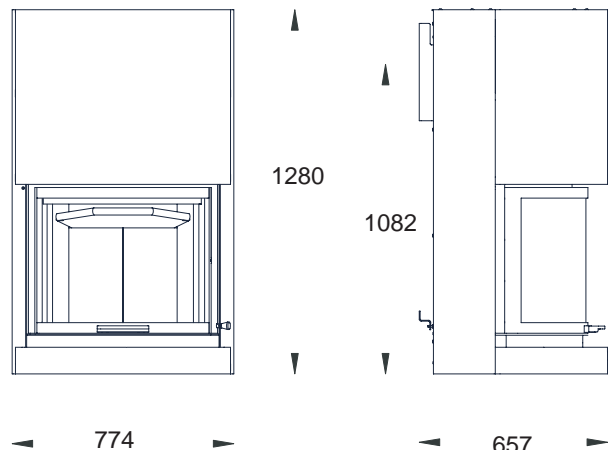


### Data for calculation of the chimney

Stove model	Connecting adaptor	1 Density of flue gas flow	2 Flue gas temperature °C	3 Minimum draft
SCAN	mm	g/s	°C	Pa
DSA 5	180	11	250	15

Column 2 shows the flue gas temperature in the connecting adaptor.  
 Column 3 shows the lowest/minimum draft in Pa by rated value.

### DSA 5 wall model



You should read this manual as well as the **General Instructions for Installation** before beginning the installation.