

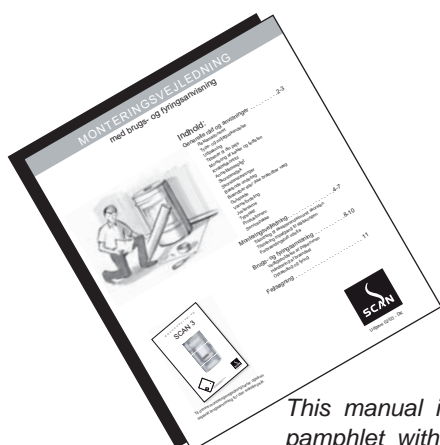
INSTRUCTIONS FOR INSTALLATION AND USE

SCAN

Andersen 8-2



Approved according to EN 13240



This manual is accompanied by a pamphlet with General Instructions for Installation.



Edition 09.06 - GB

Congratulations on your new SCAN stove!

You have chosen a product from one of Europe's leading manufacturers of wood-burning stoves. We are convinced that your stove will be to your full satisfaction and give you many hours of pleasure if you follow the advice and instructions of this manual.

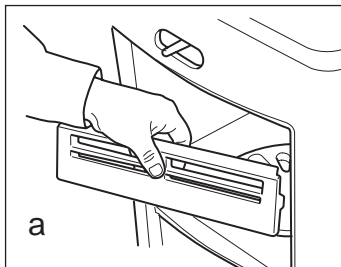
Please read this manual as well as the General Instructions for Installation before beginning the installation.

Clean combustion

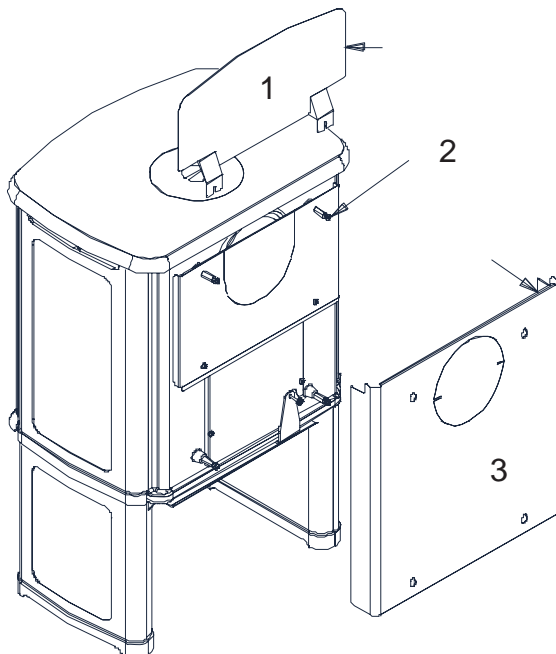
The SCAN Andersen 8-2 uses the "CB technique" (Clean-Burn) to ensure an optimally clean combustion. The extra combustion air is preheated and led into the combustion chamber close to the ceramic smoke deflector.

Ceramic smoke deflectors

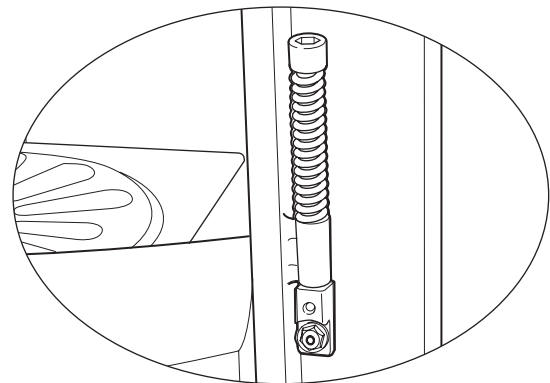
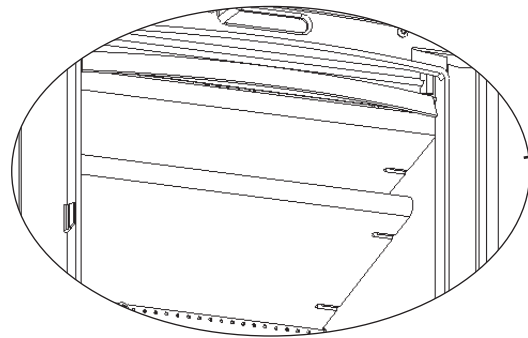
Follow the sketch below for the dismantling of the ceramic smoke deflectors. Remove the log guard (a). Lift the lower smoke deflector plate, pull out the pins of the lateral firebricks, and remove the plate. The upper smoke deflector plate can be removed in the same way.



The spark guard are not to be removed from the stove when burning.



Ceramic smoke deflectors:



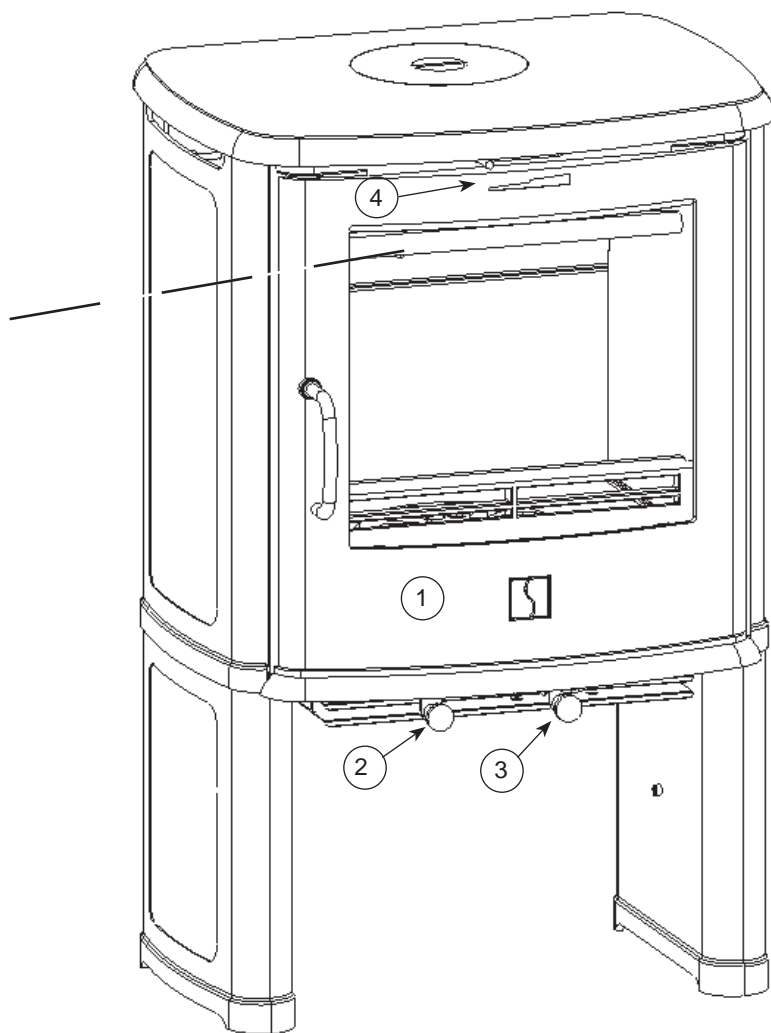
Self-closing door (BA 1)

The door can be prepared with a self-closing function at the factory. If you tighten the spring with the hexagon spanner, the door will close automatically when you let go of it.

Reduced distance to flammable materials:

The distance behind the stove can be reduced by mounting a radiation shield (1). See under "Distance to flammable materials". Dismount the convection plate (3) by loosening the screws (2). Push the radiation shield over the screws.

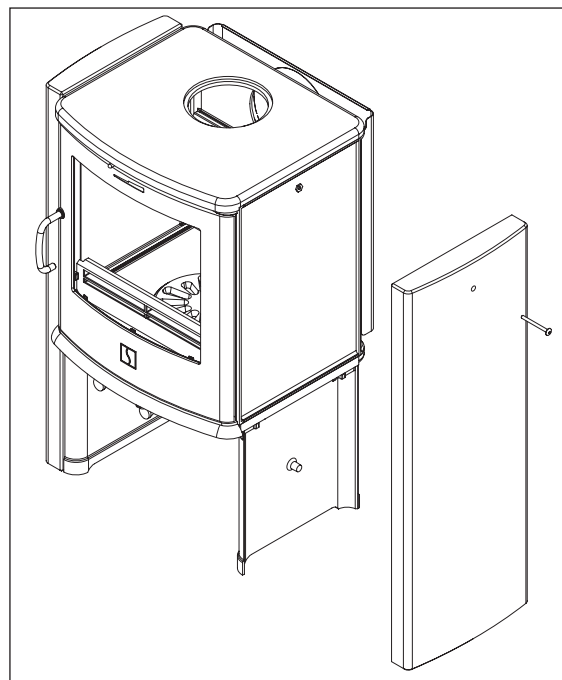
After mounting of the radiation shield, remount the convection plate with the four screws.



- 1 **Ashtray.** When you open the door, you have access to the ashtray, which is placed below the combustion chamber. *Attention! Be careful when you empty ashes from the stove. There may be embers left for up to 24 hours after the stove was last used.*
- 2 **Handle for shaking grate.** The stove is equipped with a shaking grate. When you activate the grate handle, the ashes from the combustion chamber are emptied into the ashtray.
- 3 **Regulation for primary air.** Turn the air valve in order to open. The primary air is used when lighting and refuelling the stove. It should always be closed during continuous firing.
Tilt down and pull out the handle for extra air when lighting the stove and when refuelling (only briefly). ***It should always be closed during continuous firing.***
- 4 **Regulation for combustion air.** Push the button sideways. Left position is closed and right position is open. The air is used for the combustion and regulates the output of the stove.

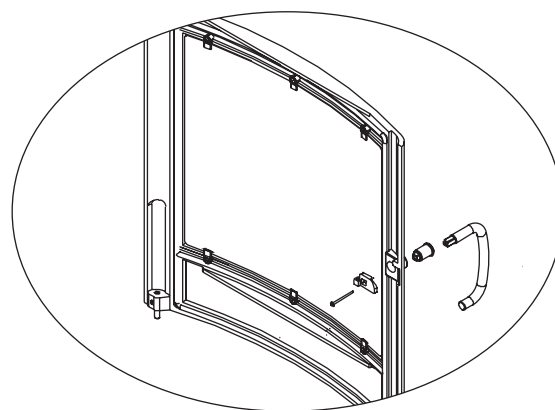
The shaking grate and primary air should always be closed during continuous firing.

You should read this manual as well as the **General Instructions for Installation** before beginning the installation.



Mounting of the soapstones

Place the soapstone sides at the sides of the stove. Push the enclosed bolt through the soapstone sides from the outside and fasten.



Handle

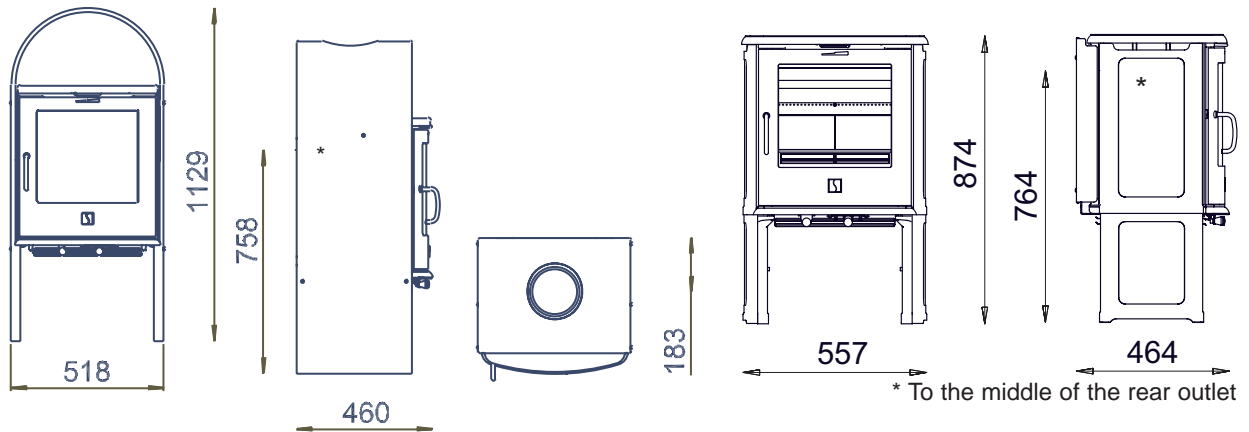
Your stove is equipped with a loose handle, which is practical if you have small children. Put the handle into the hole and turn it to open the door. If you want a firm handle, you can mount the long screw that you will find in the service bag.

The vertical position of the handle can be adjusted by the pointed screw on the locking device.

Warranty conditions

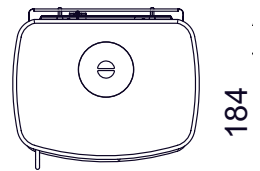
All SCAN wood-burning stoves and inserts are made of first-class material and are subject to a strict quality control before they leave the factory. However, if an error should occur, we back all SCAN wood-burning stoves and inserts with an extensive, five-year limited warranty.

See also the **General Instructions for Installation** delivered with your stove for more details.

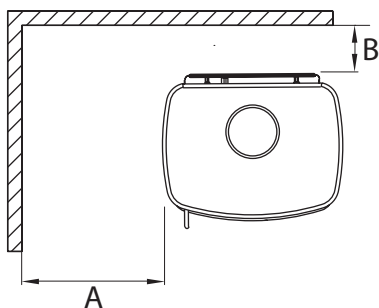
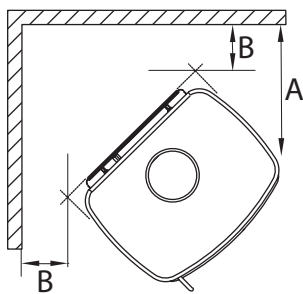


Technical info

Rated output:	7 kW
Min./max.:	2-8 kW
Weight of stove with convection plates:	130 kg
Weight of stove with curved steel mantle:	130 kg
Weight of stove with soapstone:	238 kg
Connecting piece, int. diameter:	135 mm
Connecting piece, ext. diameter:	148 mm
Efficiency:	79 %
Amount of fuel:	1,91 kg



Distances to flammable materials (mm)



Standard:	A:	250 mm
	B:	200 mm
Distance to furniture:		1000 mm

With radiation shield:	A:	400 mm
	B:	150 mm
Distance to furniture:		1000 mm

Data for calculation of the chimney and adjustment of the air:

Minimum Draft, PA	15
Density of flue gas flow, g/s:	7,4
Flue gas temperature, °C	264
Average output, kW:	7
Combustion air, % open:	75
Primary air, % open:	75
Consumption of wood/h, kg:	1,75

Building-in

If the stove is to be built in, you must block the four holes in the bottom, as the stove will otherwise draw in false air.