

I N S T R U C T I O N S F O R
I N S T A L L A T I O N A N D U S E

SCAN

Andersen 10



Declaration of Conformity

Manufacturer:
Krog Iversen & Co. A/S
DK - 5492 Vissenbjerg

Product:
SCAN ANDERSEN 10

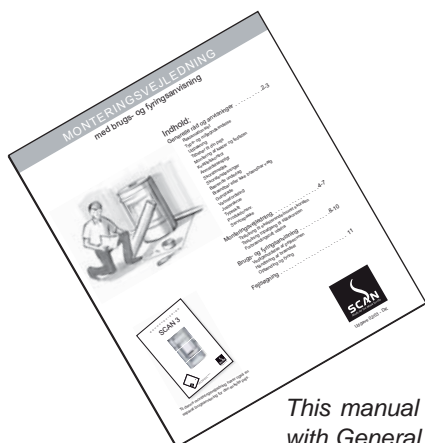
Description of product:
Room heater for closed operation

This product complies with the requirements
of the directive
CPD 89/106/EEC

Applied to harmonized standard EN 13240

Signature: 
Managing director Henning Krog Iversen

Approved according to EN 13240 2003



*This manual is accompanied by a pamphlet
with General Instructions for Installation.*



Edition 09.06 - GB

Congratulations on your new SCAN stove!

You have chosen a product from one of Europe's leading manufacturers of wood-burning stoves. We are convinced that your stove will be to your full satisfaction and give you many hours of pleasure if you follow the advice and instructions of this manual.

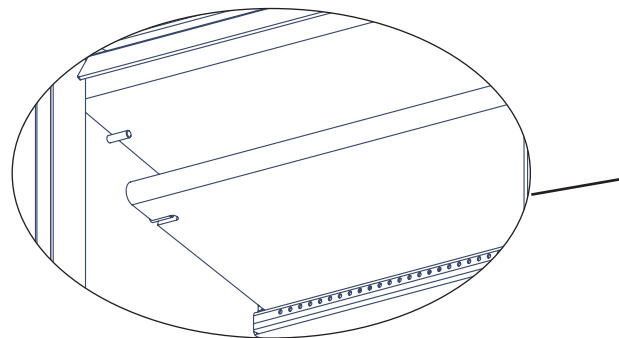
Please read this manual as well as the General Instructions for Installation before beginning the installation.

Clean combustion

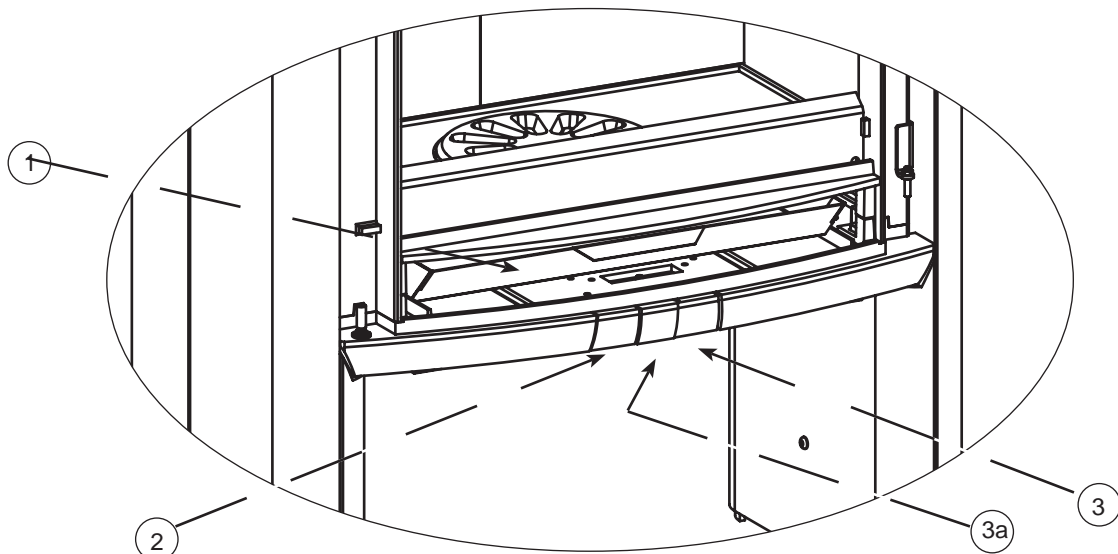
The SCAN Andersen 10 uses the "CB technique" (Clean-Burn) to ensure an optimally clean combustion. The extra combustion air is preheated and led into the combustion chamber close to the ceramic smoke deflector.

Ceramic smoke deflectors

Lift up the lower ceramic smoke deflector, pull out the pins in the lateral combustion chamber plates and remove the deflector. The upper deflector is removed in the same way.

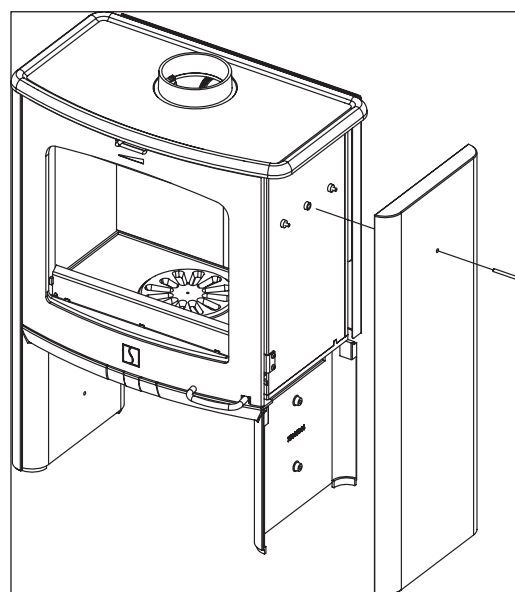
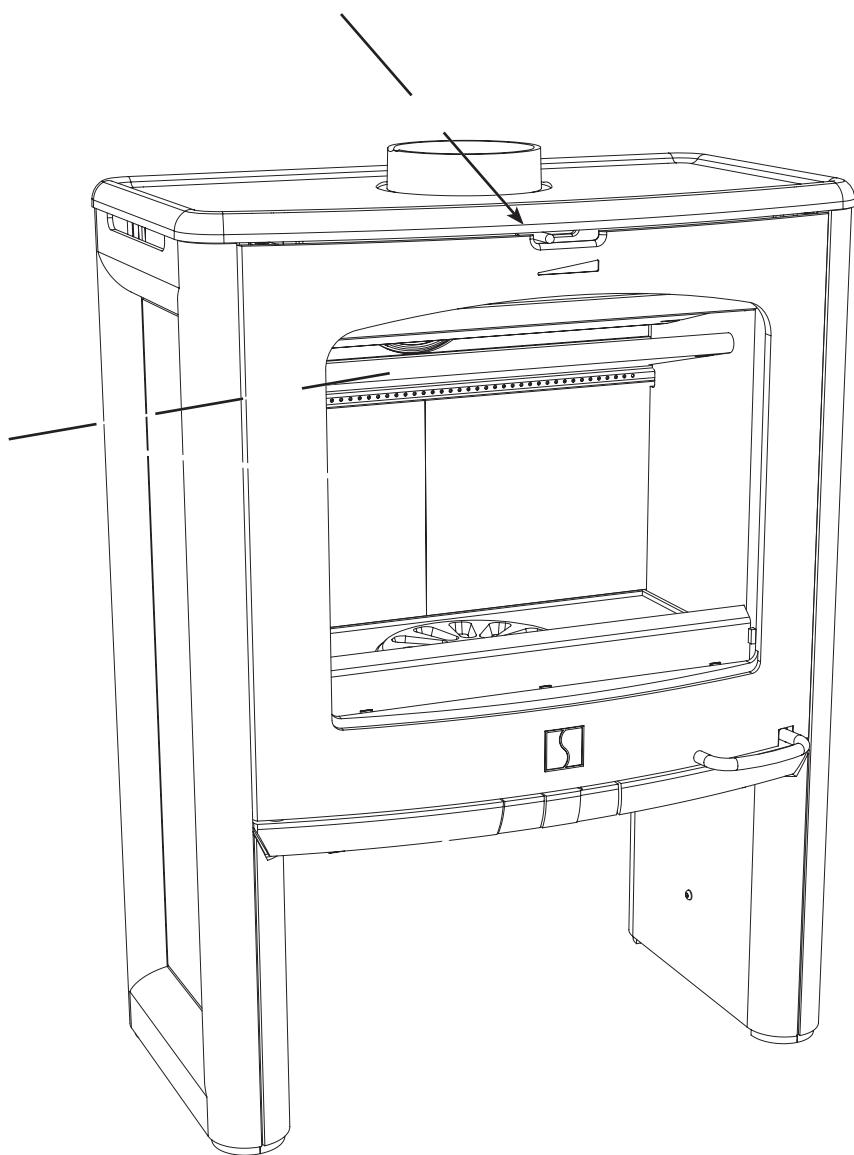


Ceramic smoke deflectors



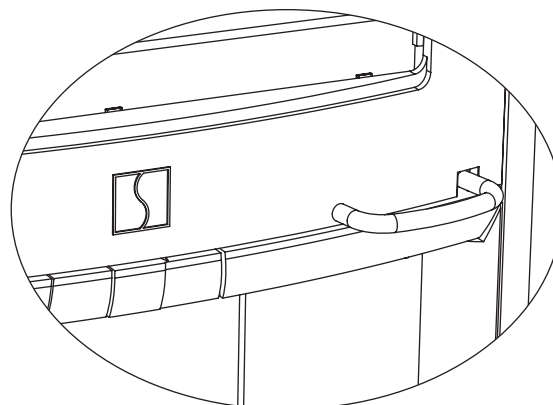
- ① **Ashtray.** When you open the door, you have access to the ashtray, which is placed below the combustion chamber. *Attention! Be careful when you empty ashes from the stove. There may be embers left for up to 24 hours after the stove was last used.*
- ② **Handle for shaking grate.** The stove is equipped with a shaking grate. When you activate the grate handle, the ashes from the combustion chamber are emptied into the ashtray.
- ③ **Regulation for primary air.** Pull out the handle in order to open. The primary air is used when lighting and refuelling the stove. It should always be closed during continuous firing.
- ③a **Air for lighting of the stove.** Tilt down and pull out the handle for extra air when lighting the stove and when refuelling. ***It should always be closed during continuous firing.***
The shaking grate and primary air should always be closed during continuous firing.

Regulation for combustion air. Push the button sideways. Left position is closed and right position is open. The air is used for the combustion and regulates the output of the stove.



Mounting of the soapstones

Place the soapstone sides at the sides of the stove. Push the enclosed bolt through the soapstone sides from the outside and fasten.



Handle

Pull out the handle to open the door.

Adjustment of the air + fuel consumption (EN 13240):

Combustion air %	Primary air %	Max. fuel, kg	Fuel consumption, kg/h
75	75	1,96	1,7

You should read this manual as well as the **General Instructions for Installation** before beginning the installation.

Warranty conditions

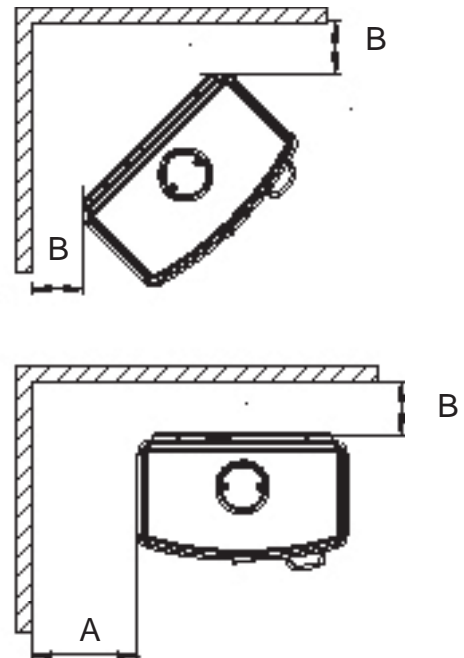
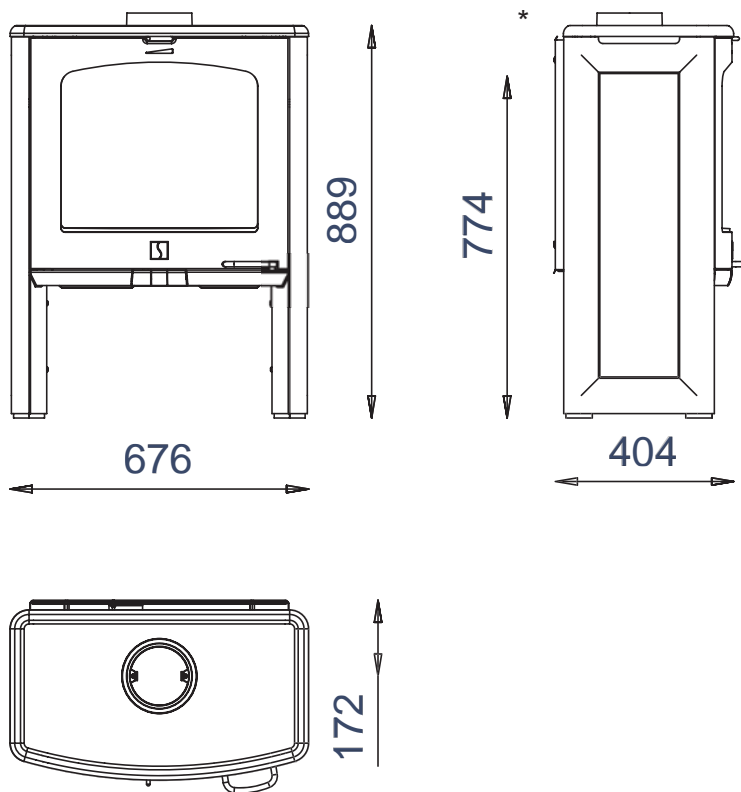
All SCAN wood-burning stoves and inserts are made of first-class material and are subject to a strict quality control before they leave the factory. However, if an error should occur, we back all SCAN wood-burning stoves and inserts with an extensive, five-year limited warranty.

See also the **General Instructions for Installation** delivered with your stove for more details.

Technical info

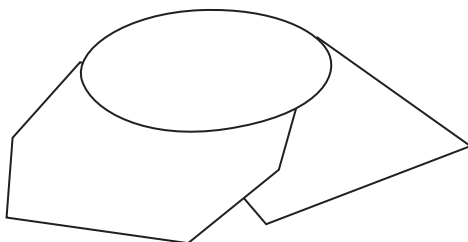
Emission (% CO at 13% O ₂):	0.07%	Min./max. (information from the factory):	3-11 kW
Efficiency:	79%	Weight, stove with convection:	140 kg
Rated output:	7 kW	Weight, stove with soap stone:	246 kg
Chimney temperature:	229 °C	Connection piece, int. diameter:	135 mm
Flue outlet flow:	7,7 g/sec		
Recommended low pressure in conn. piece:	15 Pa		
Recommended fuel:	Wood		
Amount of fuel:	1,96 kg		

Distances to flammable materials (mm)



A: 300 mm
 B: 150 mm
 Distance to furniture: 800 mm

* To the middle of the rear outlet



You can choose between several floor plates in different shapes and dimensions for your stove. Please contact your local authorities concerning the security distances needed.