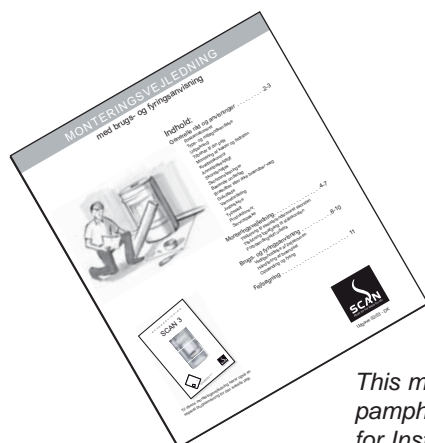


# INSTRUCTIONS FOR INSTALLATION AND USE

# SCAN 46



Approved according to DIN 18891



*This manual is accompanied by a pamphlet with General Instructions for Installation.*

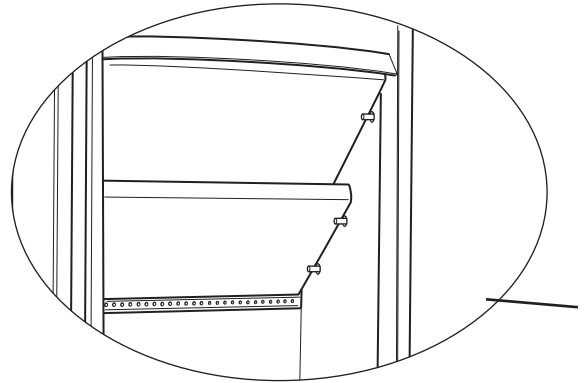


Edition 10.04 - GB

## Congratulations on your new SCAN stove!

You have chosen a product from one of Europe's leading manufacturers of wood-burning stoves. We are convinced that your stove will be to your full satisfaction and give you many hours of pleasure if you follow the advice and instructions of this manual.

Please read this manual as well as the **General Instructions for Installation** before beginning the installation.

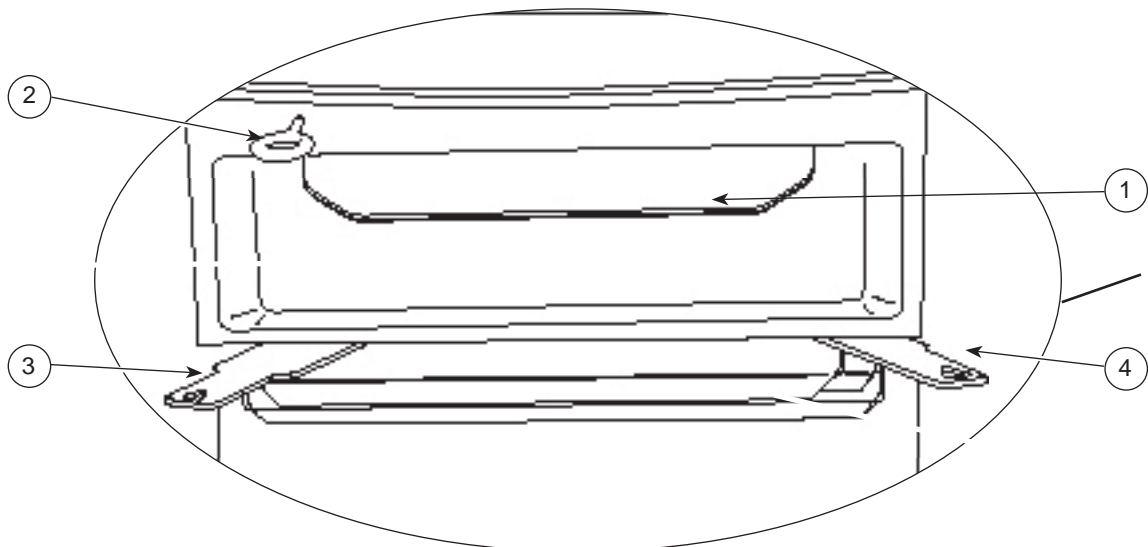


### Ceramic smoke deflectors

Lift up the lower ceramic smoke deflector, pull out the pins in the lateral combustion chamber plates, and remove the deflector. The upper deflector is removed in the same way.

### Clean combustion

The SCAN 46 uses the "CB technique" (Clean-Burn) to ensure an optimally clean combustion. The extra combustion air is preheated and led into the combustion chamber close to the ceramic smoke deflector.



- ① **Ashtray.** When you open the door, you have access to the ashtray, which is placed below the combustion chamber. *Attention! Be careful when you empty ashes from the stove. There may be embers left for up to 24 hours after the stove was last used.*
- ② **Handle for shaking grate.** The stove is equipped with a shaking grate. When you activate the grate handle, the ashes from the combustion chamber are emptied into the ashtray.

- ③ **Regulation for primary air.** Push the button sideways. Left position is closed and right position is open. The primary air is used when lighting and refuelling the stove. It should always be closed during continuous firing.
- ④ **Regulation for combustion air.** Push the button sideways. Left position is closed and right position is open. The air is used for combustion and regulates the output of the stove.

The ashtray, shaking grate, and primary air should always be closed during continuous firing.

### Adjustment of the air

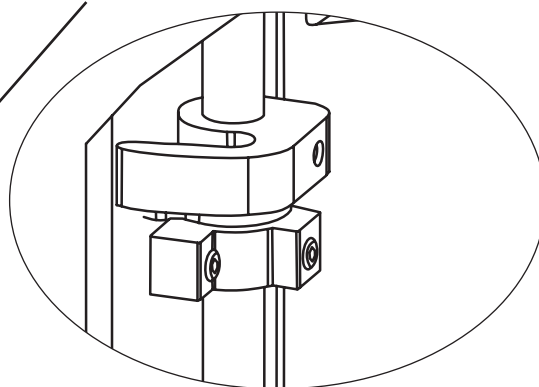
	Wood / briquettes	Fuel kg/h (beechwood max. 20% humidity)
<b>SCAN 46</b>		1,6 kg
Combustion air %	100	
Primary air %	25	

## Accessories

For this model you can have the following accessories:

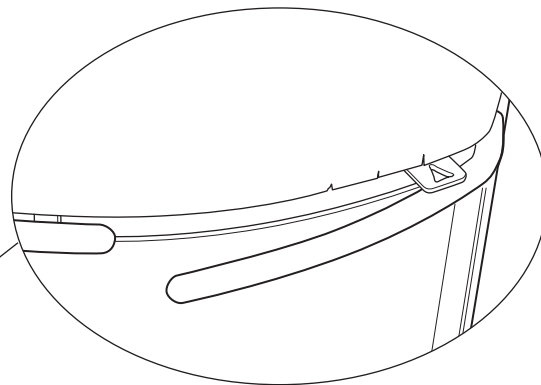
- Special elbow with wall sleeve and cover ring for SCAN 46 with revolving base (see separate instructions)
- Special adaptor for steel chimney for SCAN 46 with revolving base (see separate instructions)

**Please do not forget to remove the foil before the first firing!**



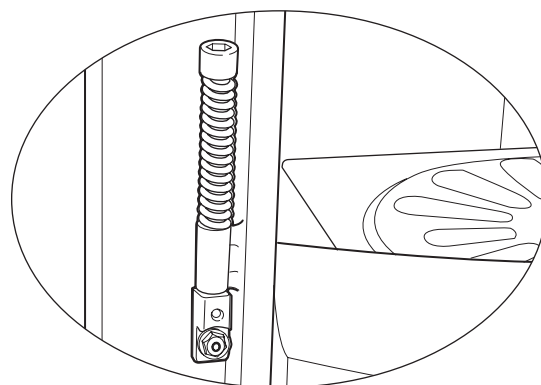
## Adjustment of the handle

The handle can be loosened and adjusted at the lower closing hook with a hexagon spanner.



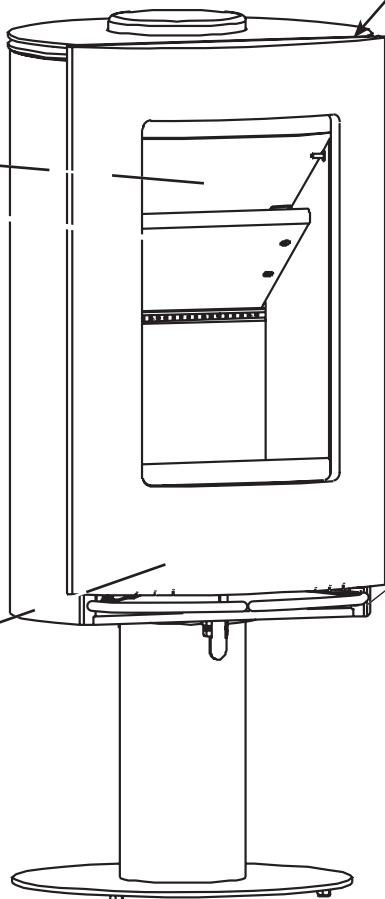
## Handle

The handle is elegantly integrated on the moulding below the door. Pull out the handle to open.



## Self-closing door (BA 1)

The door is prepared with a self-closing function at the factory. If you tighten the spring with the hexagon spanner, the door will close automatically when you let go of it.



## SCAN 46 with revolving base

*Mounting with elbow:*

See separate instructions delivered with the stove.

*Mounting with direct connection to steel chimney:*

Should only be done in accordance with the instructions from an authorised SCAN dealer. See separate instructions delivered with the stove.

**The warranty is invalid if the above is not followed.**

## Data for calculation of the chimney

Stove model	Connecting adaptor	With open doors			With closed doors			
		1 Density of flue gas flow g/s	2 Flue gas temperature °C	3 Minimum draft Pa	4 Density of flue gas flow g/s	5 Flue gas temperature °C	6 Minimum draft Pa	7 0,8 Minimum draft Pa
SCAN	mm							
46	150	-	-	-	5	310	14	11

Column 2 and 5 show the flue gas temperature in the connecting adaptor  
 Column 3 and 6 show the lowest/minimum draft in Pa by rated value  
 Column 7 shows the lowest/minimum draft in Pa by 0.8 x rated value

## Warranty conditions

All SCAN wood-burning stoves and inserts are made of first-class material and are subject to a strict quality control before they leave the factory. However, if an error should occur, we back all SCAN wood-burning stoves and inserts with an extensive, five-year limited warranty.

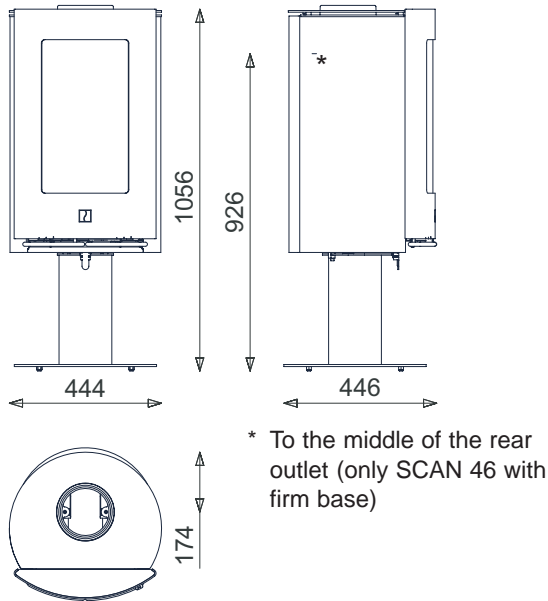
See also the **General Instructions for Installation** delivered with your stove for more details.

644800

Production number

## Technical info

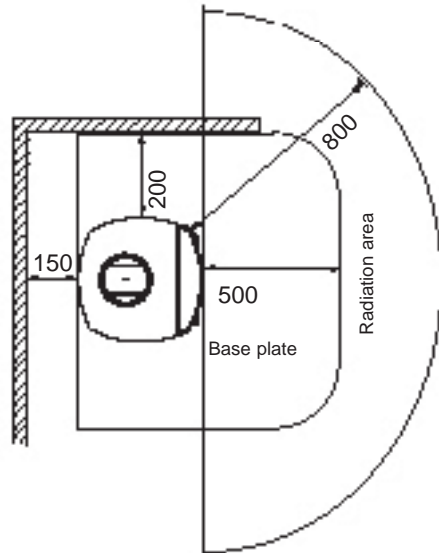
Rated output: 5 kW  
 Min./max.: 2 - 7 kW  
 Weight: 94 kg  
 Connection piece, diameter: int. 135mm / ext. 148mm



Write the production number of your stove here so that you have it at hand in case you need to contact us.

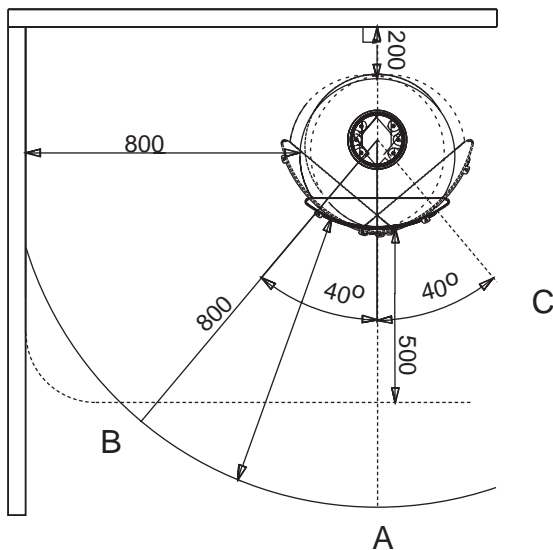
## Distances to flammable materials (mm)

### SCAN 46 with firm base

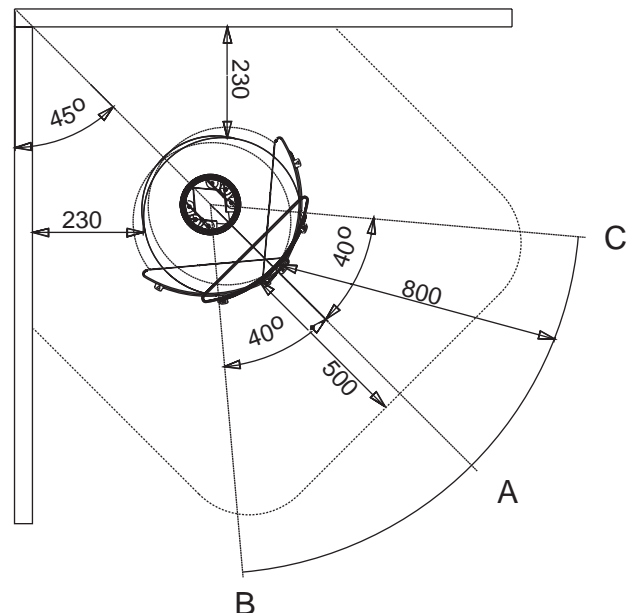


### SCAN 46 with revolving base

#### Wall:



#### Corner:



A = middle position  
 B = extreme left position  
 C = extreme right position

SCAN 46 with revolving base, should only be turned when cold!