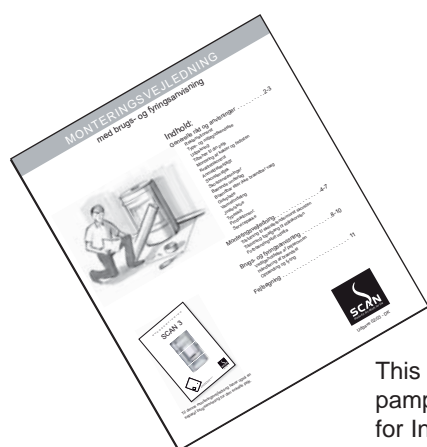


INSTRUCTIONS FOR INSTALLATION AND USE

SCAN 39



Approved according to
EN 13240

This manual is accompanied by a pamphlet with General Instructions for Installation.

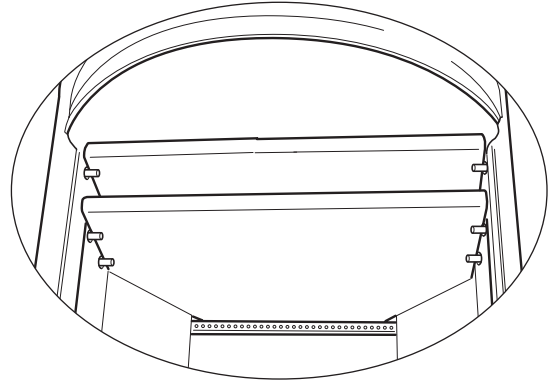


Edition 01.02.07 - GB

Congratulations on your new SCAN stove!

You have chosen a product from one of Europe's leading manufacturers of wood-burning stoves. We are convinced that your stove will be to your full satisfaction and give you many hours of pleasure if you follow the advice and instructions of this manual.

Please read this manual as well as the **General Instructions for Installation** before beginning the installation

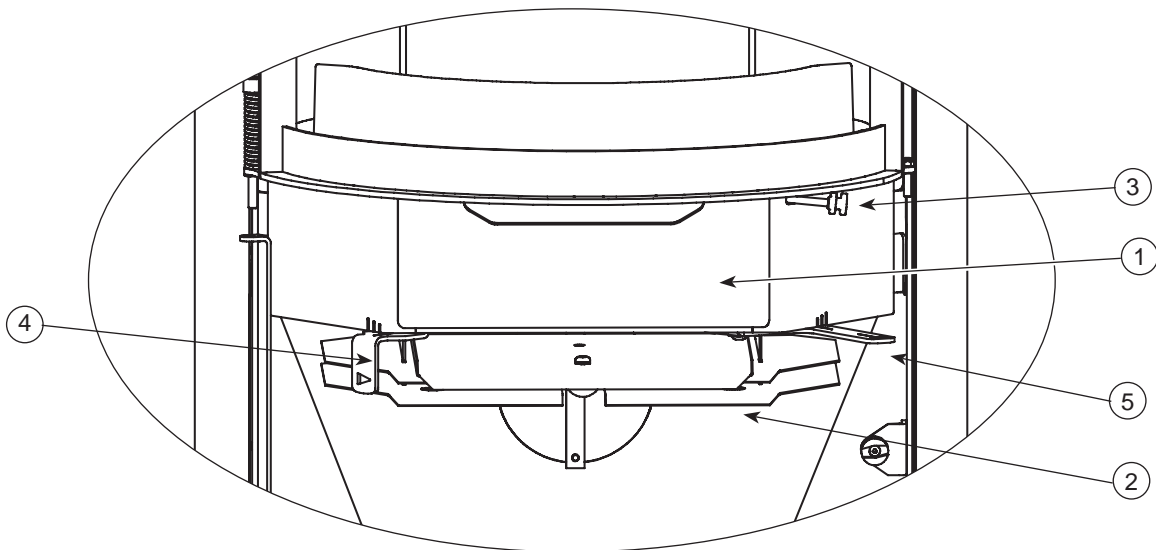


Clean combustion

The SCAN 39 uses the "CB technique" (Clean-Burn) to ensure an optimally clean combustion. The extra combustion air is preheated and led into the combustion chamber close to the ceramic smoke deflector.

Ceramic smoke deflectors

Lift up the lower ceramic smoke deflector, pull out the pins in the lateral combustion chamber plates and remove the deflector. The upper deflector is removed in the same way.



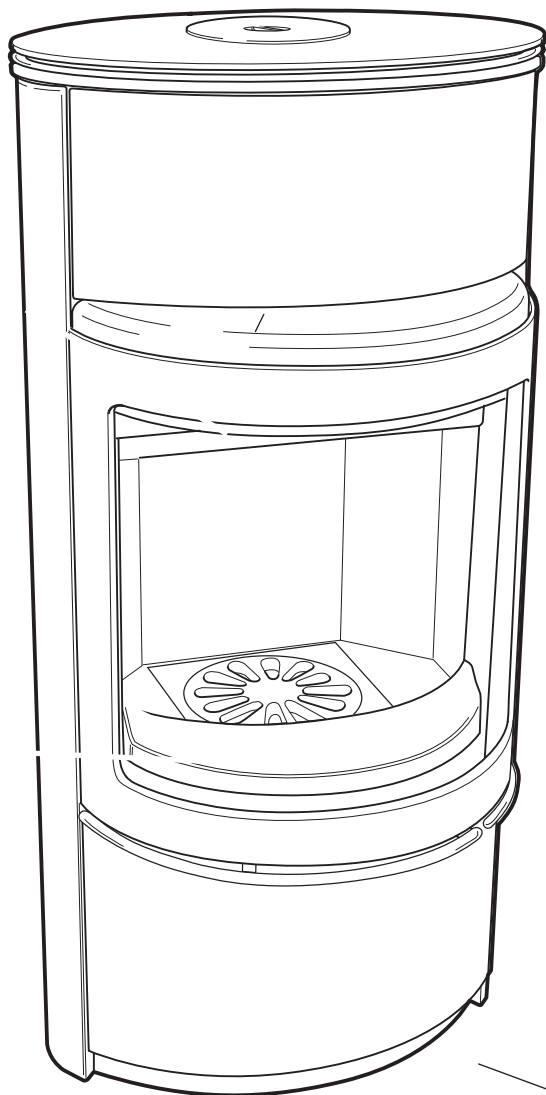
- ① **Ashtray.** When you open the door, you have access to the ashtray, which is placed below the combustion chamber. *Attention! Be careful when you empty ashes from the stove. There may be embers left for up to 24 hours after the stove was last used.*
 - ② **Lid for ashtray.** Under the ashtray you will find a lid to put on top of the ashtray when you carry it out for emptying.
 - ③ **Handle for shaking grate.** The stove is equipped with a shaking grate. When you activate the grate handle, the ashes from the combustion chamber are emptied into the ashtray.
 - ④ **Regulation for primary air.** Turn the air valve in order to open. The primary air is used when lighting and refuelling the stove. It should always be closed during continuous firing.
 - ⑤ **Regulation for combustion air.** Push the button sideways. Left position is closed and right position is open. The air is used for combustion and regulates the output of the stove.
- The ashtray, shaking grate, and primary air should always be closed during continuous firing.

Accessories

For this model you can have the following accessories:

- Lateral covering in soapstone or stainless steel
- Glazed baking tile
- Soapstone-top plate
- Shaped floor plate (steel or glass)
- Connection piece for fresh-air intake

The stove can be prepared for an external air supply where fresh air is let directly into the combustion chamber (can also be done subsequently by the authorized dealer).

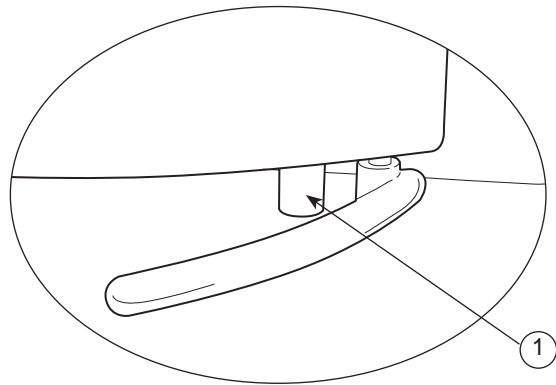


Handle

The handle is elegantly integrated on the moulding below the door. Pull out the handle to open.

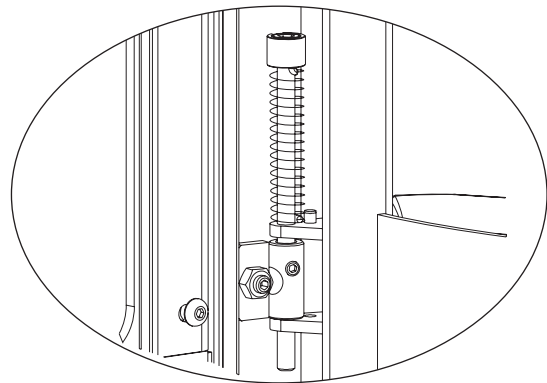
Adjustment of the handle

Loosen the screw in the adjustment bushing (1) with a hexagon spanner. Adjust the handle to the moulding with the adjustment bushing and tighten the screw again.



Self-closing door (BA 1)

The door is prepared with a self-closing function at the factory. If you tighten the spring with the hexagon spanner, the door will close automatically when you let go of it.



Adjustment screws

The stove has two adjustment screws on the bottom that can be used for levelling the stove.

Adjustment of the air + fuel consumption (EN 13240):

Combustion air %	Primary air %	Max. fuel, kg	Fuel consumption, kg/h
90	60	2	2

You should read this manual as well as the **General Instructions for Installation** before beginning the installation.

Warranty conditions

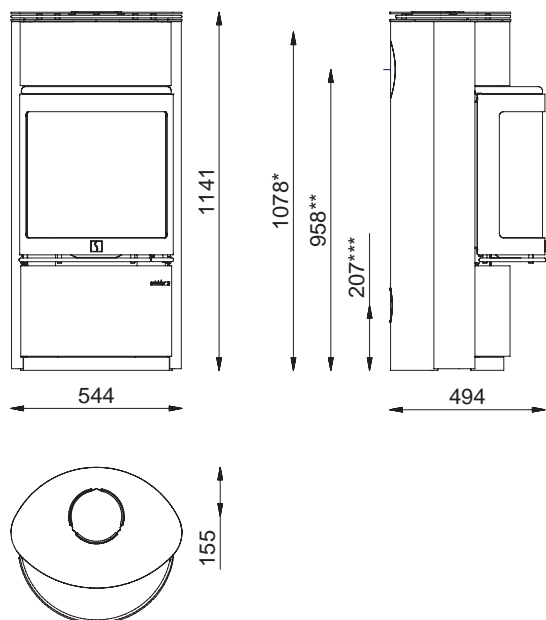
All SCAN wood-burning stoves and inserts are made of first-class material and are subject to a strict quality control before they leave the factory. However, if an error should occur, we back all SCAN wood-burning stoves and inserts with an extensive, five-year limited warranty.

See also the **General Instructions for Installation** delivered with your stove for more details.



Production number

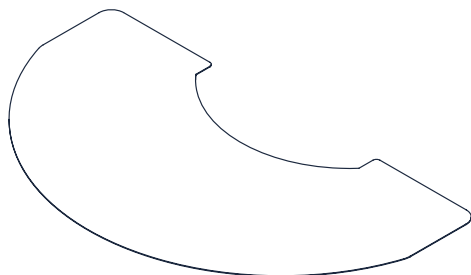
Write the production number of your stove here so that you have it at hand in case you need to contact us.



* Height to the beginning of the flue pipe at top outlet

** To the middle of the rear outlet

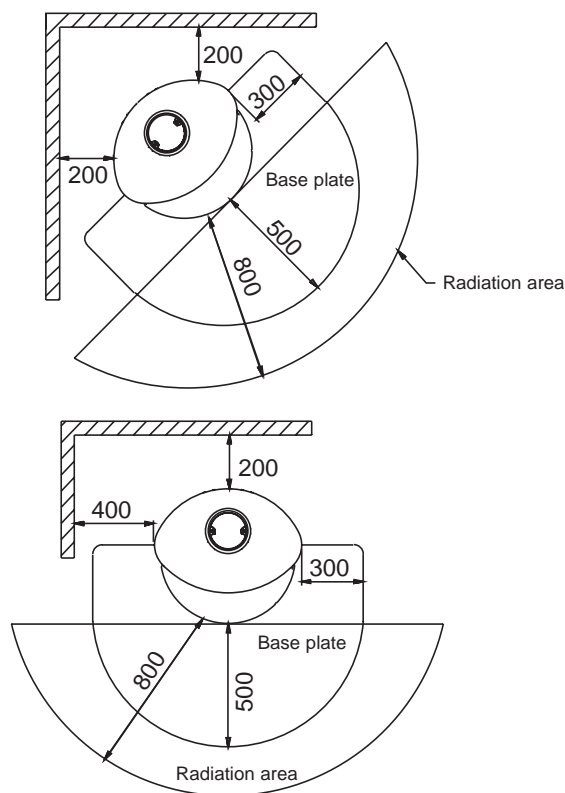
***Connection piece to fresh-air intake



Technical info

Emission (% CO at 13% O ₂):	0,09%
Efficiency:	79%
Rated output:	6 kW
Chimney temperature:	290 C°
Flue outlet flow:	8.0 g/sec
Recommended low pressure in conn. piece:	15 Pa
Recommended fuel:	Wood
Amount of fuel:	2,31 kg
Min./max. (information from the factory):	3-9 kW
Weight:	130-200 kg
Connection piece, int. diameter:	135 mm
Connection piece, ext. diameter:	148 mm

Distances to flammable materials (mm)



You can choose between several floor plates in different shapes and dimensions for your stove. Furthermore, you can have a specially made, shaped floor plate for the SCAN 39, which is to be placed in front of the stove. Please contact your local authorities concerning the security distances needed.