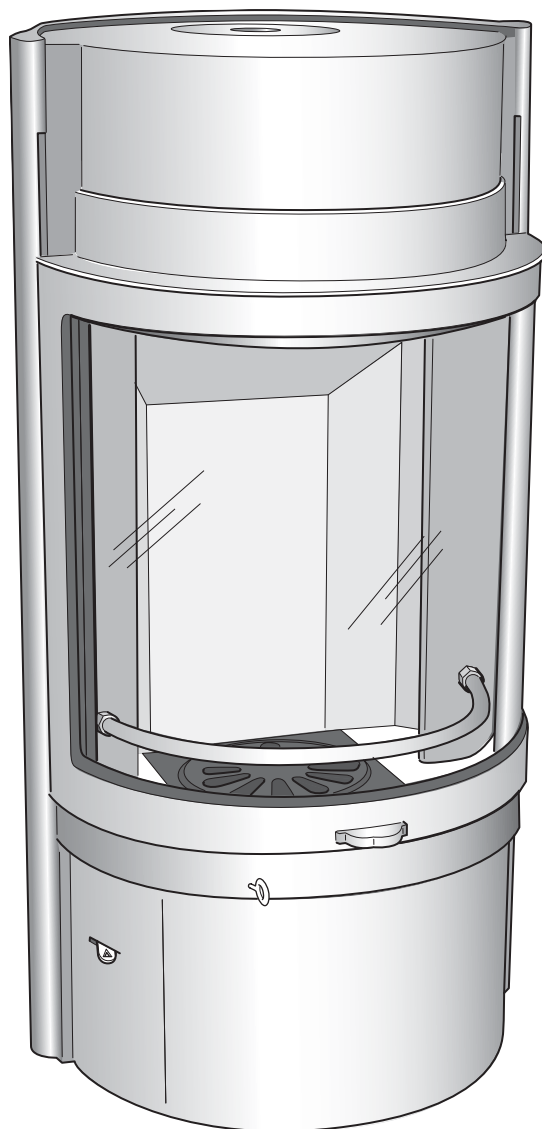
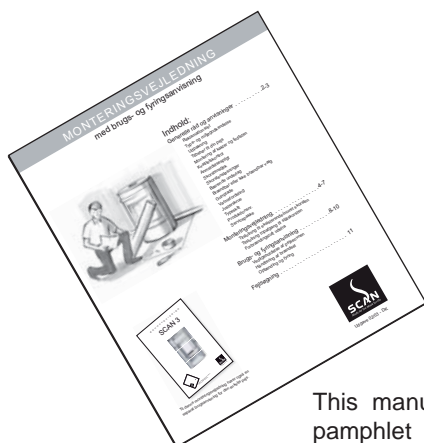


I N S T R U C T I O N S F O R
I N S T A L L A T I O N A N D U S E

SCAN 30



Approved according to DIN 18891



This manual is accompanied by a pamphlet with General Instructions for Installation.

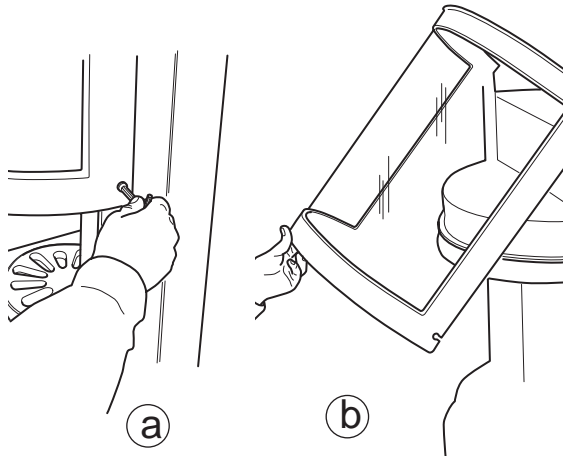


Edition 10.04 - GB

Congratulations on your new SCAN stove!

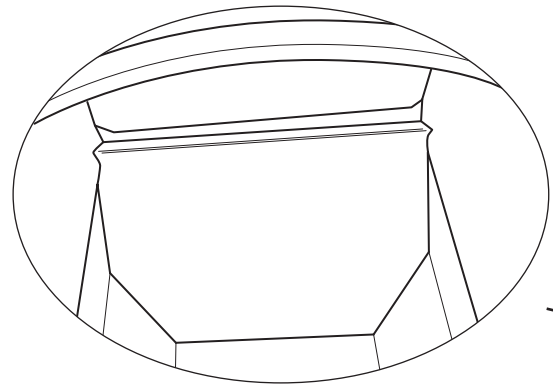
You have chosen a product from one of Europe's leading manufacturers of wood-burning stoves. We are convinced that your stove will be to your full satisfaction and give you many hours of pleasure if you follow the advice and instructions of this manual.

Please read this manual as well as the General Instructions for Installation before beginning the installation.



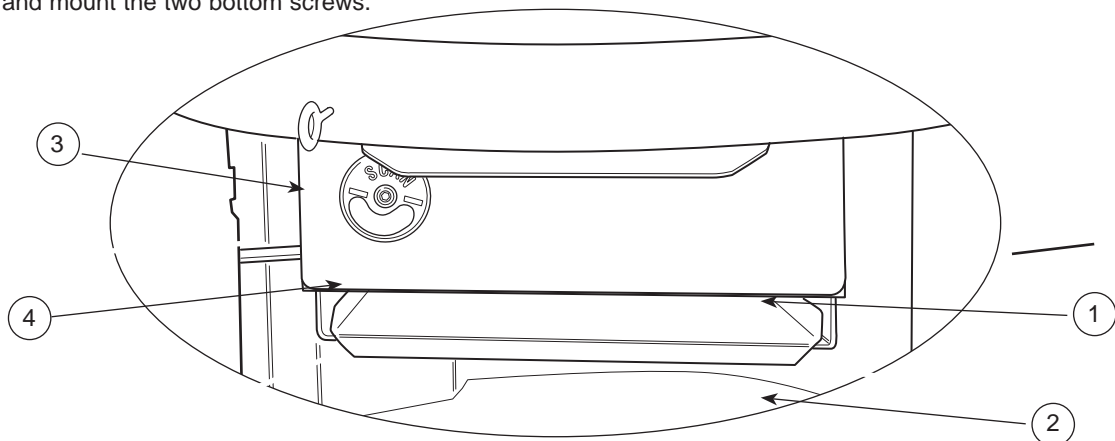
Cleaning of the glass

If you need to clean the glass, first make sure the stove is cold. Open the door completely. Loosen the two bottom screws to the left and to the right by means of the special spanner (fig. a). Pivot the door upwards from below while supporting it with your hand (fig. b) - do not let it fall. If necessary, you can block the door with a piece of wood while cleaning it. After cleaning the glass, pivot the door back and mount the two bottom screws.



Ceramic smoke deflector

Lift up the ceramic smoke deflector and push it sideways until it is free of the combustion chamber brick. The deflector can now be removed through the combustion chamber.



- 1 **Ashtray.** When you open the cover under the door you have access to the ashtray, which is placed below the combustion chamber. *Attention! Be careful when you empty ashes from the stove. There may be embers left for up to 24 hours after the stove was last used.*
 - 2 **Lid for ashtray.** Under the ashtray you will find a lid to put on top of the ashtray when you carry it out for emptying.
 - 3 **Handle for shaking grate.** The stove is equipped with a shaking grate. When you activate the grate handle, the ashes from the combustion chamber are emptied into the ashtray.
 - 4 **Regulation for primary air.** Turn the air valve in order to open. The primary air is used when lighting and refueling the stove. It should always be closed during continuous firing.
- The ashtray, shaking grate, and primary air should always be closed during continuous firing.

Adjustment of the air

	Wood / briquettes	Fuel kg/h (beechwood max. 20% humidity)
SCAN 30		2 kg
Combustion air %	50-100	
Primary air %	0	

Wires, wheels, and rails

If the wires, wheels, or rails that lift the door should be damaged, you can access them by removing the side panels. Lift them up and pull them out.

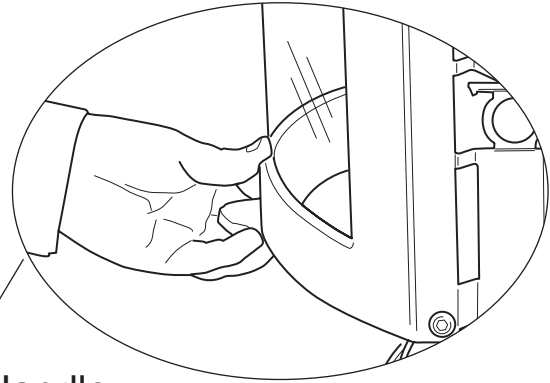
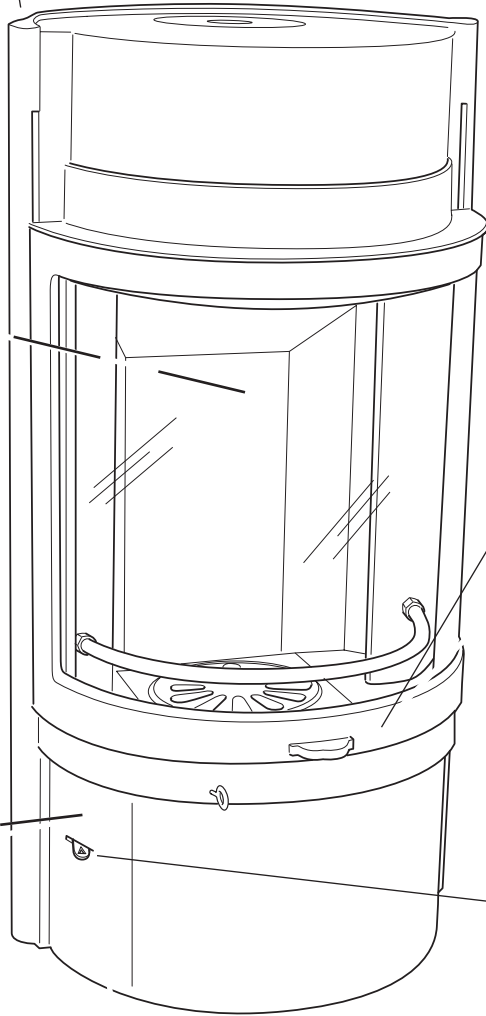
Smooth operation of your wires and wheels requires regular maintenance with a special grease purchased through your local authorised dealer.

Accessories

For this model you can have the following accessories:

- Thin or thick soapstone for the baking shelf
- Thin or thick ceramic tile for the baking shelf
- Closed cap for the baking shelf
- Side panels in stainless steel
- Steel floor plate
- Connection piece for fresh-air intake

The stove can be prepared for an external air supply where fresh air is let directly into the combustion chamber (must be mounted from the factory).



Handle

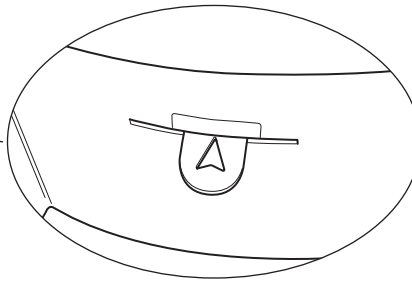
The door is opened by pulling up the handle.

Self-closing door (BA 1)

The stove can be delivered with a self-closing function at the factory.

Adjustment screws

The stove has two adjustment screws on the bottom that can be used for levelling the stove.



Combustion air

Push the button sideways. Left position is closed and right position is open. The air is used for combustion and regulates the output of the stove.

Data for calculation of the chimney

Stove model	Connecting adaptor	With open doors			With closed doors			
		1 Density of flue gas flow g/s	2 Flue gas temperature °C	3 Minimum draft Pa	4 Density of flue gas flow g/s	5 Flue gas temperature °C	6 Minimum draft Pa	7 0,8 Minimum draft Pa
SCAN	mm							
30	150	-	-	-	6,5	345	14	11

Column 2 and 5 show the flue gas temperature in the connecting adaptor

Column 3 and 6 show the lowest/minimum draft in Pa by rated value

Column 7 shows the lowest/minimum draft in Pa by 0.8 x rated value

You should read this manual as well as the **General Instructions for Installation** before beginning the installation.

Warranty conditions

All SCAN wood-burning stoves and inserts are made of first-class material and are subject to a strict quality control before they leave the factory. However, if an error should occur, we back all SCAN wood-burning stoves and inserts with an extensive, five-year limited warranty.

See also the **General Instructions for Installation** delivered with your stove for more details.

644800

Production number

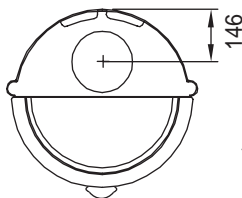
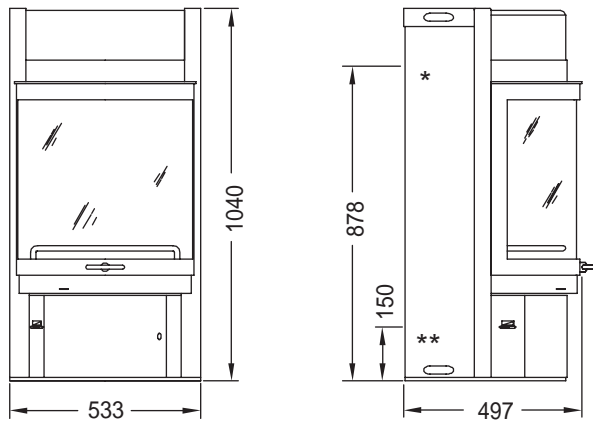
Technical info

Rated output:	7 kW
Min./max.:	3 - 9 kW
Weight:	130 - 180 kg
Connection piece, diameter:	int. 135 mm / ext. 148 mm

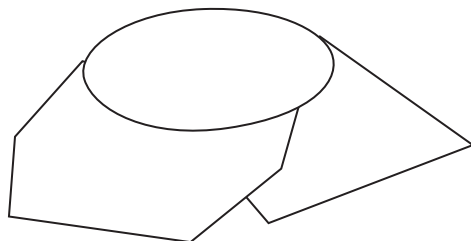
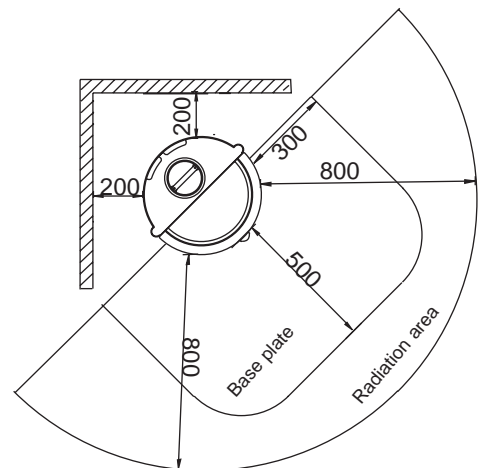
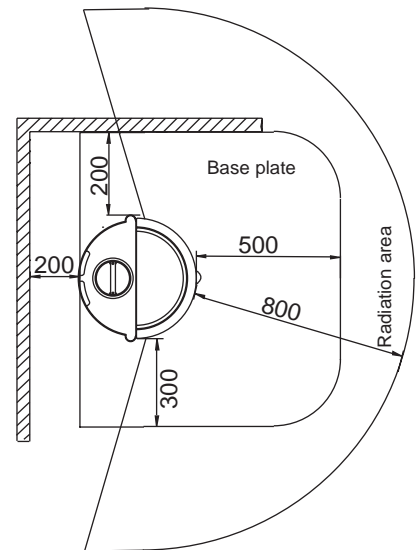


Write the production number of your stove here so that you have it at hand in case you need to contact us.

Distances to flammable materials (mm)



*To the middle of the rear outlet
**Connection piece to fresh-air intake



You can choose between several floor plates in different shapes and dimensions for your stove. Please contact your local authorities concerning the security distances needed.