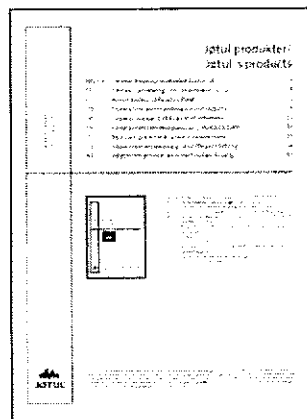
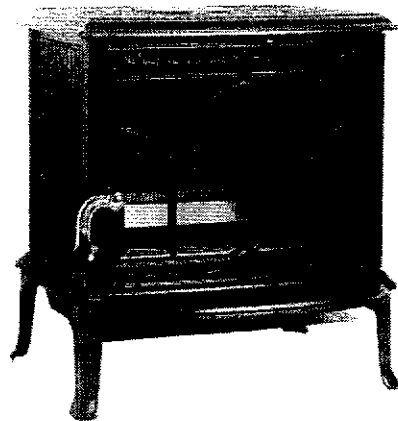


Jøtul F 100

JØTUL F 100

GB - Installation Instructions with technical data



- NO/DK - Les nøye generell bruk- og vedlikeholdsmanualen før bruk
- SE - Läs allmän användning och underhåll manual noga innan bruk
- FI - Lue huolellisesti yleisiä ohjeita sisältävä käyttöohje ennen kuin otat tuotteen käyttöön.
- GB - Before use, please read the general users and maintenance manual carefully.
- FR - Avant utilisation, lisez attentivement le manuel général d'utilisation et d'entretien.
- ES - Antes de proceder a su uso, lea atentamente el manual de uso y mantenimiento generales.
- IT - Prima dell'uso, si prega di leggere attentamente il manuale d'uso generale e di manutenzione.
- DE - Lesen Sie sich vor der Verwendung das allgemeine Benutzer- und Wartungshandbuch sorgfältig durch.
- NL - Lees de handleiding over algemeen gebruik en onderhoud aandachtig door voordat u de haard gaat gebruiken.



Manualene må oppbevares under hele produktets levetid. The manuals which are enclosed with the product must be kept throughout the product's entire service life. Les manuels fournis avec le produit doivent être conservés pendant toute la durée de vie du produit. Los manuales suministrados con este producto deben guardarse durante todo el ciclo de vida del producto. I manuali inclusi con il prodotto vanno conservati per l'intera durata di vita del prodotto. Das im Lieferumfang des Produkts enthaltene Begleitmaterial ist über die gesamte Nutzungsdauer aufzubewahren. De bij de haard meegeleverde handleidingen moeten gedurende de volledige gebruiksduur van de haard bewaard blijven.

ENGLISH

Table of contents

Installation manual with technical data

1.0	Relationship to the authorities	14
2.0	Technical data.....	14
3.0	Installation	15
4.0	Service.....	17
5.0	Optional Equipment	17
	Figures	38

Table of contents

General use and maintenance manual

6.0	Safety precautions
7.0	Choice of fuel
8.0	Use
9.0	Maintenance
10.0	Operational problems - troubleshooting

1.0 Relationship to the authorities

Installation of a fireplace must be according to local codes and regulations in each country.

All local regulations, including those which refer to national and European standards, must be observed when installing the product.

Both an installation manual with technical data and a manual on general use and maintenance are enclosed with the product. The installation can only be used after it has been inspected by a qualified inspector.

A name plate of heat-resistant material is affixed to the product. This contains information about identification and documentation for the product.

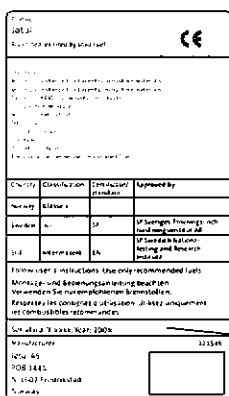
2.0 Technical data

Material:	Cast iron
Finish:	Enamel or black paint
Fuel:	Wood
Log length, max.:	40 cm
Operating range:	2,7 - 7,5 kW
Flue outlet:	Top and rear
Flue pipe dimension:	
- inside :	Ø125 mm/123 cm ² cross section
- outside :	Ø 150mm/177 cm ² cross section
Approx. weight:	97 kg
Optional equipment:	Enamelled floor plate, long legs, extra heat shield
Dimensions, distances etc.:	See fig. 1

Technical data according to EN 13240

Nominal heat output:	5,5 kW
Flue gas mass flow:	5,0 g/sec
Recommended chimney draught:	12 Pa
Efficiency:	78%@6,1 kW
CO emission (13% O ₂):	0,18%
Flue gas temperature:	298° C
Operational mode:	Intermittent

Intermittent combustion in this context means normal use of the fireplace, i.e. fuel is added as soon as the fuel has burnt down to a suitable amount of embers.



On all our products there is a label indicating the serial number and year. Write this number in the place indicated in the installation instructions.

Always quote this serial number when contacting your retailer or Jøtul.

Wood consumption

Jøtul F 100 has a nominal heat output of 5,5 kW. Use of wood, with nominal heat emission: Approx. 1,8 kg/h. Another important factor for proper fuel consumption is that the logs are the correct size. The size of the logs should be:

Kindling:

Length: 20 - 40 cm

Diameter: 2 - 5 cm

Amount per fire: 6 - 8 pieces

Firewood (split logs):

Length: 40 cm

Diameter: Approx. 8 cm

Intervals for adding wood: Approx. every 60 minutes

Size of the fire: 1,8 kg

Amount per load: 2 pieces.

Nominal heat emission is achieved when the air vent is open approximately 50%.

3.0 Installation

3.1 Floor

Foundations

It must be ensured that the foundations are dimensioned for the fireplace. Cf. «2.0 Technical data» for specification of weight. It is recommended that flooring which is not fastened to the foundations – so-called floating flooring – is removed during installation.

Requirements for protection of wooden flooring

Jøtul F 100 has a heat shield underneath which protects the floor from radiation. The product can therefore be placed directly on a wooden floor that is covered by a metal plate or other suitable, non-inflammable material. The recommended minimum thickness is 0,9 mm.

Any flooring made of combustible material, such as linoleum, carpets, etc. must be removed from under the floor plate.

Requirement for protecting combustible flooring in front of fireplace

The front plate must be in accordance with national laws and regulations.

Contact your local building authorities regarding restrictions and installation requirements.

3.2 Walls

Distance from the wall of flammable material – cf. fig. 1

The fireplace is authorised for use with an uninsulated flue with the distances to the wall of flammable material as shown in fig 1.

Distance to the flammable wall protected by a firewall

Firewall requirement

The firewall must be at least 100 mm thick and be made of brick, concrete-stone or light concrete. Other materials and structures with satisfactory documentation may also be used, e.g. Jøtul Brannpanel.

3.3 Ceiling

Jøtul F 100 may be assembled with the upper edge of the hot air aperture min 1200 mm beneath the ceiling of the flammable material

ENGLISH

3.4 Chimneys and flue pipes

- A chimney can be linked to the fireplace and flue approved for solid fuel-fired fireplaces with a flue gas temperature as specified in «2.0 Technical data».
- The cross-section of the chimney must be at least equal to the cross-section of the flue. Please use «2.0 Technical data» to calculate the correct cross-section of the chimney.
- Several solid fuel-fired fireplaces can be connected to the same chimney if the cross-section of the chimney is adequate.
- Connection to the chimney must be carried out in accordance with the installation instructions from the supplier of the chimney.
- Before making a hole in the chimney the fireplace should be test-mounted in order to correctly mark the position of the fireplace and the hole in the chimney. See fig. 1 for minimum dimensions.
- Ensure that the flue pipe is inclined all the way up to the chimney.
- Use a flue pipe bend with a sweeping hatch that allows it to be swept.

Be aware of the fact that connections must have a certain flexibility in order to prevent movement in the installation leading to cracks. **N.B. A correct and sealed connection is very important for the proper functioning of the product.**

The chimney draught, see «2.0 Technical data». If the draught is too strong you can install and operate a flue damper to control the draught.

3.5 Assembly prior to installation

N.B. Check that the fireplace is free of any damage prior to commencing installation.

The product is heavy! Make sure you have assistance when erecting and installing the fireplace.

1. The product is delivered in a single packing case where the smoke outlet, ash lip and door bolt knob must be assembled.
2. Once you have unpacked the product, remove all loose parts. Check that the product does not have any visible damage and that the operating handles work.

N.B. The top plate only rests on the product and shall not be attached to it.

Rear mounted flue pipe

If the flue pipe is to be rear mounted do the following:

1. Lift off the top plate.
2. Cut out a hole in the heat shield at the back for the flue pipe (fig. 3).
3. Unscrew the two screws holding the cover for the rear outlet from the inside. (Hold the cover when removing the last screw) (fig. 5A).
4. Fasten the cover on the top plate.
5. Connect the smoke outlet to the rear plate.
6. Place the top plate back in position.
7. Install the ash lip by hanging it under the door.
8. Screw the door knob on the handle. (Place the white washer between the handle and the knob.)
9. Remove the protective paper from the gasket and fasten it around the outside of the flue pipe.
10. Mount the flue pipe into the flue outlet.

N.B. It is important that the joints/flue pipes are completely sealed. Air leaks can prevent the flue pipe from functioning properly.

Top mounted flue pipe

If the flue pipe is to be top mounted do the following:

1. Attach the flue outlet to the top plate using the two screws. **Fig. 4A.**
2. Install the ash lip by hanging it under the door.
3. Screw the door knob on the handle. (Place the white washer between the handle and the knob.)
4. Remove the protective paper from the gasket and fasten it around the outside of the flue pipe.
5. Mount the flue pipe into the flue outlet.

N.B. It is important that the joints/flue pipes are completely sealed. Air leaks can prevent the flue pipe from functioning properly.

3.6 Control of functions

When the product is set up, always check the control functions. These shall move easily and function satisfactorily.

Jøtul F 100 is equipped with the following controls:

Air vent: **fig. 2A**
Ignition vent: **fig. 2B**

To the left: Closed
To the right: Open

3.7 Ash removal (fig 6)

Jøtul F 100 with ash pan

1. Open the grate.
2. Lift out the ash pan.
3. Carefully place the grate down.
4. Ideally, some ash should be left as a protective layer for the bottom of the fireplace.
5. Make sure the door to the ash pan is securely shut when the stove is in use.

For the rest, see description of how to handle ash in the Manual on general use and maintenance in Point «6.1 Fire preventive measures».

Jøtul F 100 without ash solution

1. Lift out the ash retainer
2. Use a shovel or similar and scrape out the ash.
3. Leave a little ash in the bottom of the combustion chamber as a protective insulating layer.

For the rest, see description of how to handle ash in the Manual on general use and maintenance in Point «6.1 Fire preventive measures».

4.0 Service

Warning! Any unauthorised change to the product is illegal!
Only use original spare parts!

4.1 Replacement of the baffle plate – inner bottom – burn plates

1. Remove the ash retainer.
2. Lift the baffle, which rests on the burn plates, forwards and to the side and then tilt it down and out of the door. *(If the product is rear-mounted the top plate may be lifted off and the baffle removed through the top.)*
3. Lift up the inner bottom and tilt it out.
4. Remove the burn plates.

Follow the same procedure for installation, but in reverse.

5.0 Optional equipment

5.1 Floor plate

For the Jøtul F 100 we can supply a decorative blue-black enamelled floor plate.

Size: 630 x 759 x 17 mm.

5.2 Long legs

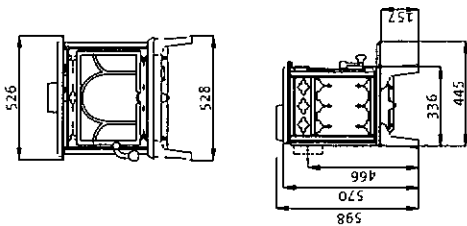
If you would like a taller fireplace it is possible to install longer legs. Height 215 mm.

5.3 Extra heat shield - Cat. no. 350743

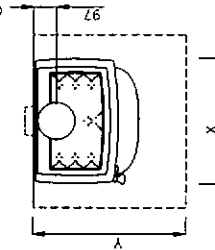
If the product is mounted with an extra heat shield, see fig. 1 for distances from wall to stove.

Jøtul F 100

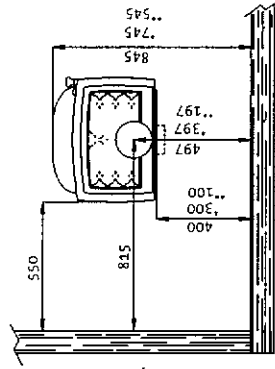
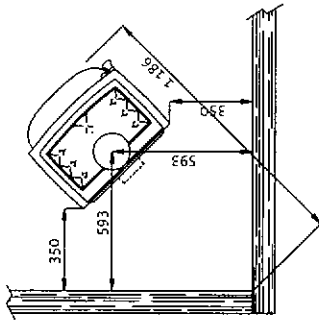
Fig. 1 A
Produkt
Product



Min. mål gulvplate / measure floorplate
X / Y = Acc. to national regulatives and regulations.



Min. avstand til brennbar vegg.
Min. distance to combustible wall.

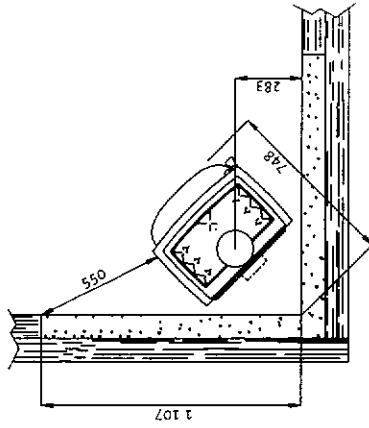
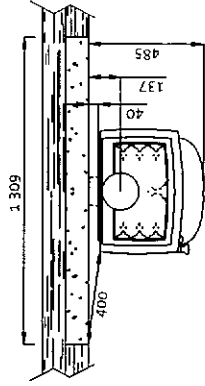


* With insulated flue pipe

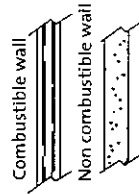
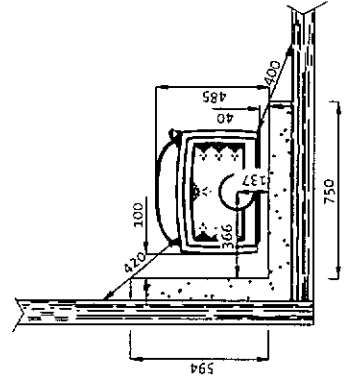
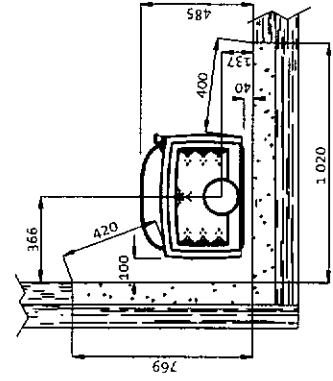
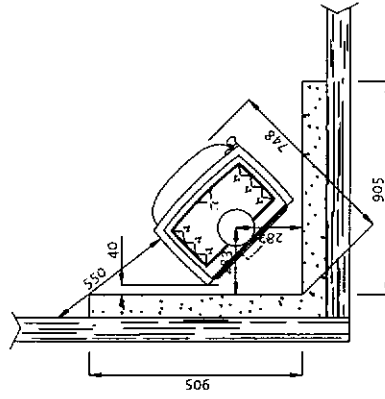
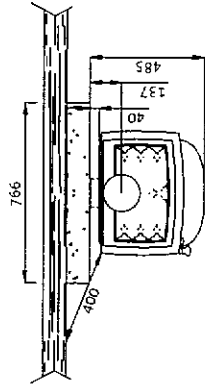
** With insulated flue pipe and extra rear heat shield

Min. avstand til brennbar vegg beskyttet av brannmur
Min. distance to combustible wall protected by firewall

Innfelt / integrated



Utenpåliggende / external



Målene gjelder ubehandlede produkter. Etter lakkering eller emaljering kan målene variere noe.
Dimensions refer to untreated products. After painting or enamelling dimensions may have small divergences.

Fig. 2

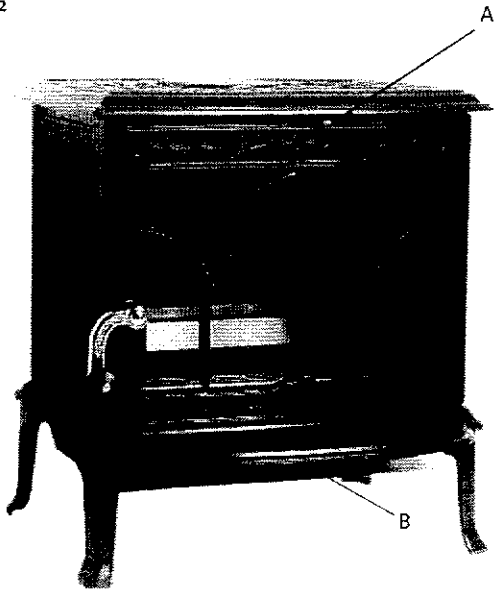


Fig. 5

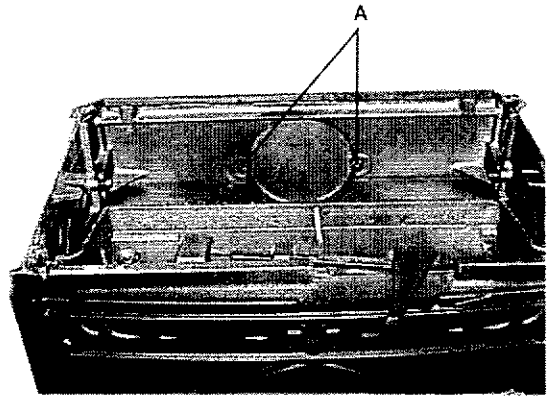


Fig. 4

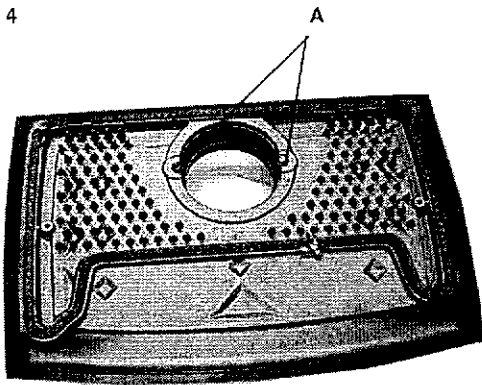


Fig. 6

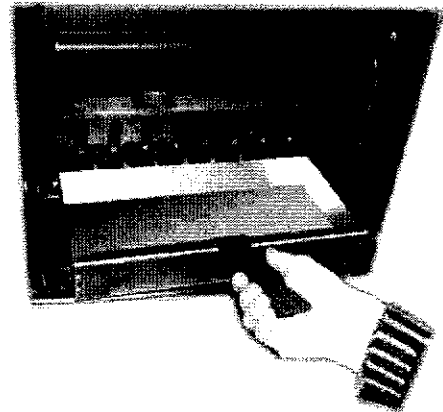
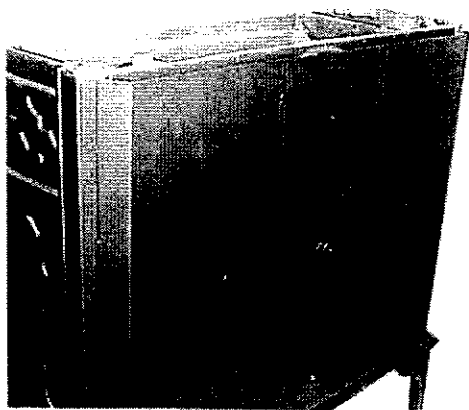


Fig. 3



Quality control of stoves and fireplaces

Controlled item

All parts are included.
Correct fastener items have been used and correctly applied.
Surfaces comply with Jøtul workmanship standards.
Door locking mechanisms function correctly; excessive force is not needed.
The product/lot complies with the leakage test requirement.
Paint/enamel surface finish complies with Jøtul workmanship standards.
Surfaces are not contaminated by external stove cement or glue.
There are no cracks in glass, cast iron or other parts.
Gaskets are correctly applied and do not degrade product appearance (i.e. loose ends or excessive visible exposure).
Door gaskets are firmly glued/fixed to the door.
Door gaskets provide satisfactory sealing.
Check for "light through" at door seals and other relevant locations.
The function of air valve handle etc is normal.

Jøtul hereby confirm that this product has been QC inspected and found to comply with our quality standards.

Checked by/ kontrollert av	Date/Dato:
----------------------------	------------