

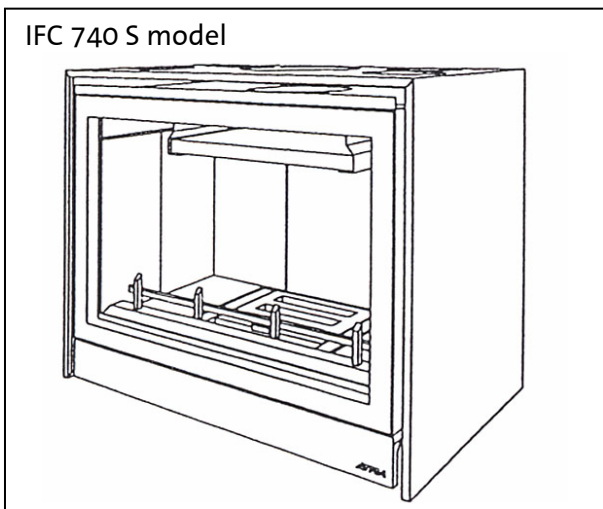


# ATRAFIRE Flat Glass Cassettes

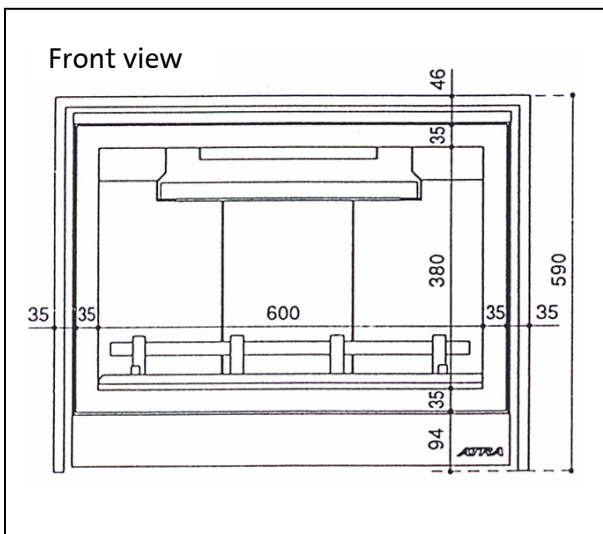
## Technical Data Sheet

In accordance with  
 - Norm : NF.D35.376  
 - Type : I.S.B sf EM

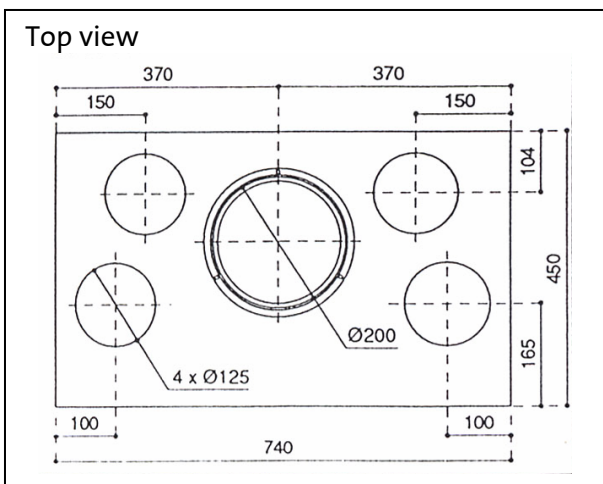
IFC 740 S model



Front view



Top view



### CHARACTERISTICS :

Nominal Heat Output (closed):	12 KW
Relative humidity of test wood	15%
Authorised fuel:	Wood
Minimum draught conditions:	1mmCE
Consumption at normal rate:	4 kg/h
Maximum load:	14 kg
Total weight:	130 kg

### IMPORTANT :

- External fresh air inlet essential  
177 cm<sup>2</sup> minimum reserved for operation of the fireplace.
- Internal convection air inlet  
Minimum cross section area 400 cm<sup>2</sup>
- Convection air outlet (with decompression)  
Minimum cross section area 647 cm<sup>2</sup>

IFC 740 B model

