

SAVOY MK2 ELEGANCE

Multifuel stove

Norm DIN EN 13240 : 2005-10

Model : 134 08 09 + 134 08 11

Output : 8 kW



Description of the appliance

Installation instructions

Operating instructions

Spare parts

Warranty certificate

Document n° 1274-8

20/09/2011



Technical manual
to be saved
by the user
for future reference

BOUTIQUES DU FEU

Franco Belge

Rue Orphée Variscotte
59660 MERVILLE (FRANCE)

Telephone : 00 333 28 43 43 38
Fax : 00 333 28 43 48 60

Subject to modifications.

FRANCO BELGE congratulates you on your choice.
FRANCO BELGE, guarantees the quality of its appliances and is committed to meet its customers' needs.
FRANCO BELGE, which can boast a 80-year experience in the industry of heating devices, uses state-of-the-art technologies to design and manufacture its whole range of products.
This document contains instructions on how to install your appliance and make full use of its functions, both for your comfort and safety.

This appliance is meant to burn wood or solid fuel safely
WARNING
Incorrectly installed, this appliance can be dangerous and possibly cause serious accidents. We recommend that you engage the services of a professional engineer for its installation and the regular maintenance requirements

CONTENTS

Description of the unit	p. 3
Package	p. 3
Specifications	p. 3
Appliance description	p. 3
Operating principle.	p. 3
Installation instructions	p. 4
Warning to the user	p. 4
Location of the unit	p. 4
Flue	p. 4
Mounting the flue collar	p. 5
Top flue outlet	p. 5
Rear flue outlet.	p. 5
Door closing pressure	p. 6
Chimney connector	p. 6
Pre-utilisation check	p. 6
Maintenance of the Chimney	p. 6
Instructions for user	p. 7
Fuel	p. 7
Lighting	p. 8
Operating procedure.	p. 8
De-ashing	p. 8
Maintenance of the Chimney	p. 8
Maintenance of the stove	p. 8
Safety advice.	p. 8
Trouble shooting	p. 9
Spare parts	p. 11

1 Description of the unit

1.1 Package

- 1 package : Stove

1.2 Specifications

Model.	134 08 09
Norm DIN EN 13240 : 2005-10	
Useful firebox dimensions	
- Width	mm 429
- Depth	mm 201
- Height	mm 365
Ash pan capacity	litre 6
Weight	kg 135
Fuel : WOOD	
Firebox draught at nominal rate	Pa 12
Logs dimensions :	
- Max. length	cm 40
Nominal heat output	kW 8
Efficiency	% 78
Co (13% O2)	% 0,30
Mean flue gas temperature	C° 303

1.3 Appliance description

Wood stove - in conformity with **DIN EN 13240 : 2005-10**

- Intermittent-burning heating appliance.
- Detachable flue spigot for rear or top chimney connection.
- Front loading door fitted with large refractory glass panel.
- Adjustable primary air for controlling the burning rate.
- Large ash-pan.

1.4 Operating principle

The appliance is designed for operating only with the door closed. Heat is mainly diffused by radiation through the window and by hot air diffusion convection around the body of the appliance.

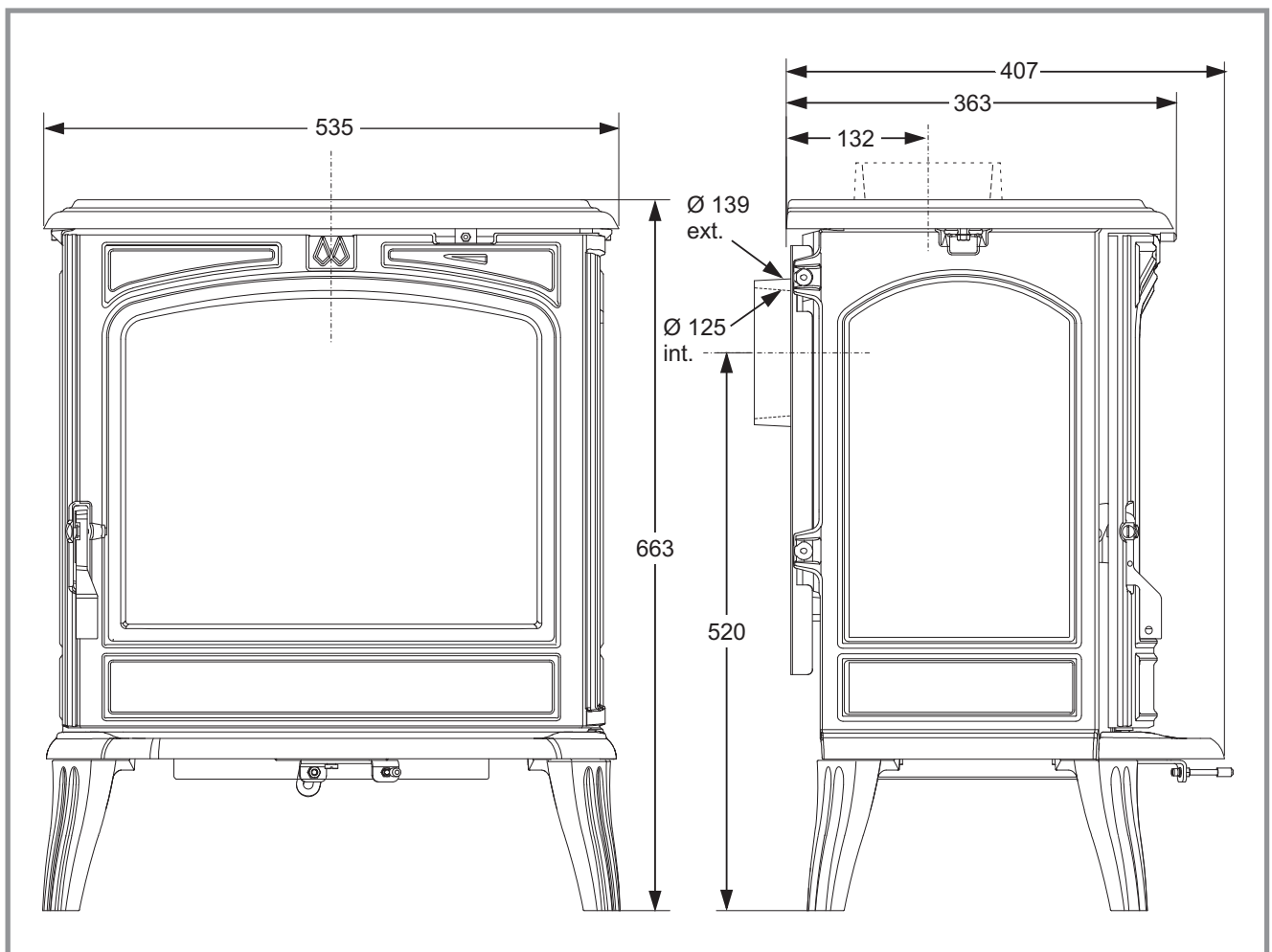


Figure 1 - Dimensions in mm

2 Installation instructions

2.1 Warning to the user

All the local and national regulations, and in particular those relating to national and European standards, must be observed when installing the appliance.

An incorrectly installed heating appliance can cause serious accidents (chimney fires, burning of plastic insulation materials, in partition walls, etc.).

The insulation of both the appliance and the exhaust gas pipe has to be reinforced and done according to the Standards and the Building Regulations for safety reasons. The installation must be carried out according to the Standards and the Building Regulations.

Failure to respect the mounting instructions leads to engage the responsibility of the one doing the installation.

The manufacturer’s responsibility shall be limited to the supply of the appliance.

2.2 Location of the unit

Ventilation :

For satisfactory appliance operation with a natural draught, check that sufficient air for combustion is available in the room.

In houses equipped with one VMC (controlled mechanical ventilation), this one aspire and renew the ambient air ; In this case, the residence is under slight low pressure and a non-sealable external air intake must be installed in addition to the chimney itself, at least 50 cm² in section.

Position of the unit :

For new installations, select a central position within the house, to provide a good heat distribution around the building.

The heat distribution towards the other rooms will be made through the communicating doors.

These rooms must be in negative pressure or must include ventilation gratings.

Floor and walls :

Make sure that the floor can support the weight of the appliance, its surroundings and the hood. In the contrary the floor needs to be reinforced with a concrete screed to distribute this load.

Make sure they are not combustible or covered with combustible material (as per the Building regulations).

There must be a clearance of at least 150 mm at each side of the appliance and at the back of the appliance from a non-combustible wall.

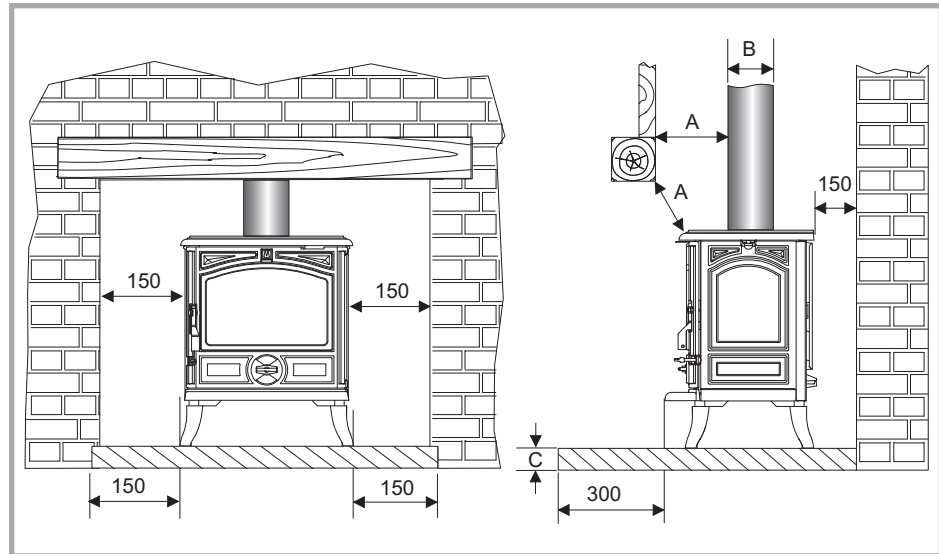


Figure 2 - Clearances

This measurement may be reduced to a minimum gap of 50 mm when the non-combustible wall is at least 200 mm thick.

This distance must be extended to a minimum clearance of 600 mm from any combustible materials. The distance to a combustible rear wall is minimum 400 mm.

When using a single wall flue pipe, there must be a clearance (A) of at least three times its diameter (B) from any combustible materials.

If the appliance has to be located in an opening, this distance must be extended to a minimum clearance (A) of 375 mm from the pipe or the stove body to any combustible materials.

Hearth :

The appliance must stand on a fireproof hearth.

It is possible to provide a hearth made of non combustible board/sheet material or tiles at least 12 mm thick (C).

Constructional hearths should be constructed of solid non combustible material at least 125 mm thick (including the thickness of any non combustible floor under the hearth).

The hearth must protrude at least 225 mm in front of the stove and 150 mm each side.

If the hearth is constructed on timber, there must be a clearance of at least 250 mm from the timber to the top surface of the hearth. See section J of the Building regulations.

Do not place any combustible materials in front of the stove within a distance of 115 cm.

Be aware that the distances given are the minimum required, however take into consideration that you need to have sufficient space for cleaning and maintenance purposes.

2.3 Flue

Existing flue : The chimney must comply with Current Building Regulations. If in doubt, consult your Dealer or local Building Inspector.

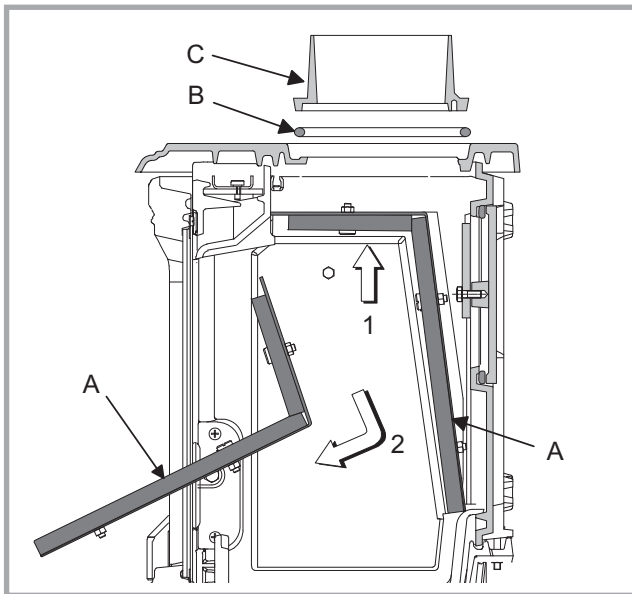


Figure 3 - Top flue outlet

- The flue must be in good condition and must provide sufficient draught.
- The flue must be suitable for the installation of solid fuel burning appliances and comply with Current Building Regulations.
- The flue must be clean. It should be swept to remove soot and dislodge tar deposits.
- The flue must be well insulated. If the flue inner wall surfaces are cold, a good thermal draw is impossible causing condensation problems (tar formation etc) to occur.
- The flue must not be shared with other appliances.
- The chimney must be at least 4.5 m (15 ft) high.
- In case of a flat roof or when the roof gradient is lower than 15°, the stack must be 1,2 m (4 feet) high at least.
- If the chimney has any down draught tendency, due to its position in relation to nearby obstacles, then an anti-down draught cowl must be installed on the chimney or the chimney height must be increased.
- If the decompression in the chimney is excessive, a draught stabiliser must be installed.

Chimney to be built / New flue : The chimney must comply with Current Building Regulations. If in doubt, consult your Dealer or local Building Inspector.

- The appliance must not support the weight of the flue.
- It must be distant from any combustible material (walls, cross members).
- It must permit an easy sweeping.

2.4 Mounting the flue collar

The stove is supplied with a connection flue spigot with an inner diameter of 125 mm and an outer diameter of 139 mm. The stove is set from the factory with a top outlet.

2.5 Top flue outlet

Figure 3

- First remove the flue baffle (A).
- The stove is set from the factory with a top outlet.
- **Do not remove the cast iron top.**

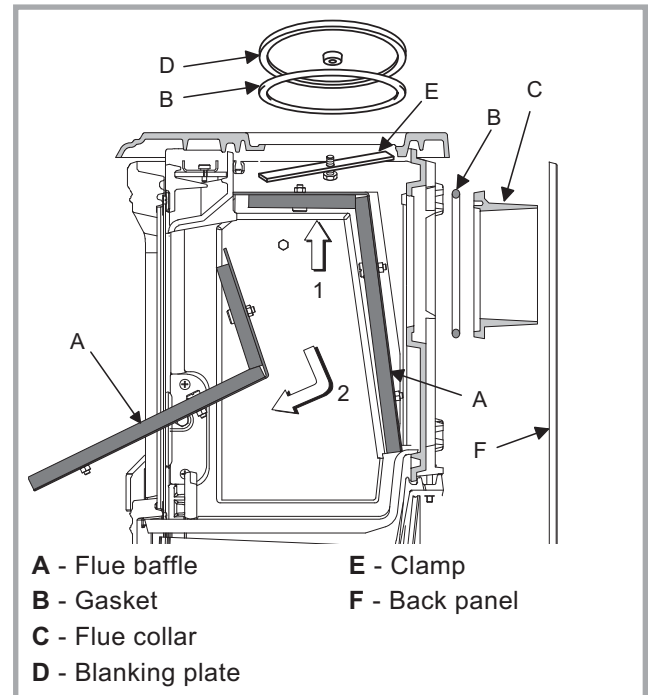


Figure 4 - Rear flue outlet

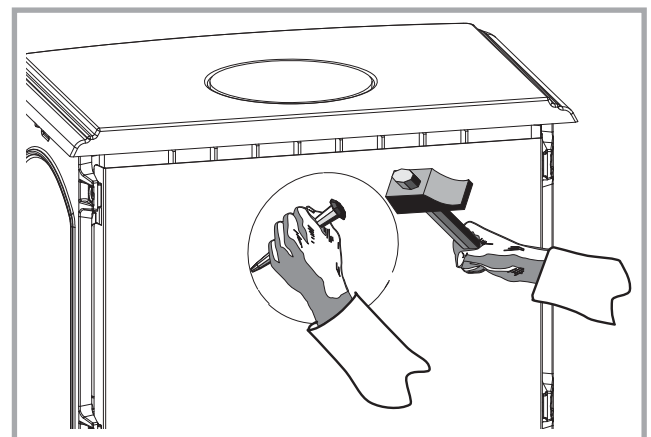


Figure 5 - Cut-out in the rear heat shield

- Fit the sealing rope (B) in the groove and attach the flue spigot (C) on the top using the bolts and washers supplied, ensuring there is a good seal.
- Refit the flue baffle (A).

2.6 Rear flue outlet

Figure 4

- **Do not remove the cast iron top.**
- remove the cardboard chock from the top.
- Remove the internal baffle A.
- Remove the rear heat shield F.
- Remove the flue precut part in the heat shield (figure 5).
- Removed the flue spigot C.
- Place the seal rope B within the groove, fix the blanking plate D and the clamp E and ensure a good tightness.
- Place the seal rope B within the groove, screw into position the Flue collar C and ensure a good tightness.
- Replace the rear heat shield F.
- Refit the flue baffle A.

2.7 Door closing pressure

Figure 6

The closing latch rotates around a pressure screw positioned cam.

- Remove gently the ceramics rope
- Loosen pressure screw 1.
- Turn cam 2 to desired position.
- Tighten pressure screw 1.

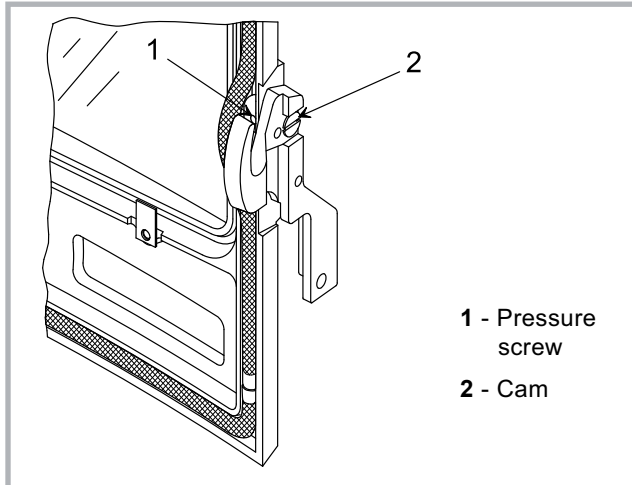


Figure 6 - Door closing pressure

2.8 Chimney connector

- The connection to flue must be carried out according to local building regulations.
- The appliance must be installed as close as possible to the chimney.
- The connector pipe must be approved for installation with combustion products (either 24 ga. Black painted or blued steel or 316 grade 20 ga. Stainless steel or 1 mm vitreous enamelled steel).
- Pipe diameter must not be less than the appliance spigot diameter.

- The connection can be either vertical or horizontal. For horizontal connections, avoid right angle bends.
- The join between the connection pipe and the stovepipe, and the flue, must be leak tight.
- For the premises equipped with a mechanical controlled ventilation, the airtightness has to prevent the exhauster drawing out the smokes from the exhaust gas pipe.
- The connection pipe and any draught stabiliser must have access for cleaning.
- The spigot should be connected to a minimum of 125 mm flue system and in that case the appliance is capable of burning untreated wood and recommended solid fuels.

2.9 Pre-utilisation check

- Check that the seals of the smoke-line are in good condition. Check that the door closes correctly. Check that the glass is not damaged. Check that the smoke passages are not obstructed by packaging or removable parts. Check that all removable parts are correctly installed.

Note : The rope seals should be checked on a regular basis as they are normal replacement parts.

2.10 Maintenance of the Chimney

Very important : In order to avoid any incident (chimney fire, etc...), maintenance tasks must be carried out regularly. If the appliance is regularly used, the chimney should be swept several times per year, together with the stovepipe connection section.

If the chimney catches fire, you must cut off the flue draught, close the doors and windows, hatches and keys and call the Fire Brigade without delay.

DO NOT OPEN THE DOOR OF THE APPLIANCE (OR AIR INLET) UNDER ANY CIRCUMSTANCES

3 Instructions for user

The manufacturer will not be responsible for damages on parts of the appliance due to the use of prohibited fuel or due to an alteration of the appliance or its installation. **Only use replacement parts supplied by the manufacturer.**

Don't run the stove in mild weather with coal : Under certain circumstances (e.g. fog and repeated thaw) the chimney will not draw sufficiently well and thus be at the origin of asphyxia. Awaiting better weather circumstances, don't use any coal but only wood.

At the first lighting, the fire must be progressively increased to allow the various parts to expand normally and to dry up.

Note : When the fire is lit for the first time, the stove may give off fumes from the new paint. This is normal but ensure the room is well ventilated during the first few hours of operation.

Warning : properly installed and operated this appliance will not emit fumes into the dwelling. Occasional fumes from de-ashing and re-fuelling may occur. Persistent fume emission is dangerous and must not be tolerated. If fume emission does persist :

Open doors and windows to ventilate room.

Let the fire go out and dispose of fuel from the appliance.

Check for flue or chimney blockage, and clean if required. Do not attempt to relight the fire until the cause of the fume emission has been identified and corrected. If necessary seek expert advice.

Note : It is recommended to use a fireguard in the presence of children, and also in the presence of old and/or infirm people.

3.1 Fuel

This appliance is not an incinerator.

Use hard wood logs, which have been cut for at least two years and stored, under a ventilated shelter.

Use hardwood that have a higher calorific value per cu metre (Yoke-elm, oak, ash, maple, birch, elm, beech, etc.). Large logs must be split and cut to an useful length, before being stored in a sheltered and ventilated place.

• **Recommended fuel :**

The best fuels for use with the Franco Belge “Savoy MK2” are :

Seasoned wood. - hard wood logs that have been cut, split and stored for at least two years with a maximum moisture content of 20 % e.g. oak, beech, elm etc.

Fuel : smokeless fuel

Heating volume	m ³	240
Firebox draught at nominal	Pa	12
Nominal heat output.	kW.	7
Efficiency	%	70
CO (13 % O ₂).	%	0,13
Mean flue gas temperature	C°	250

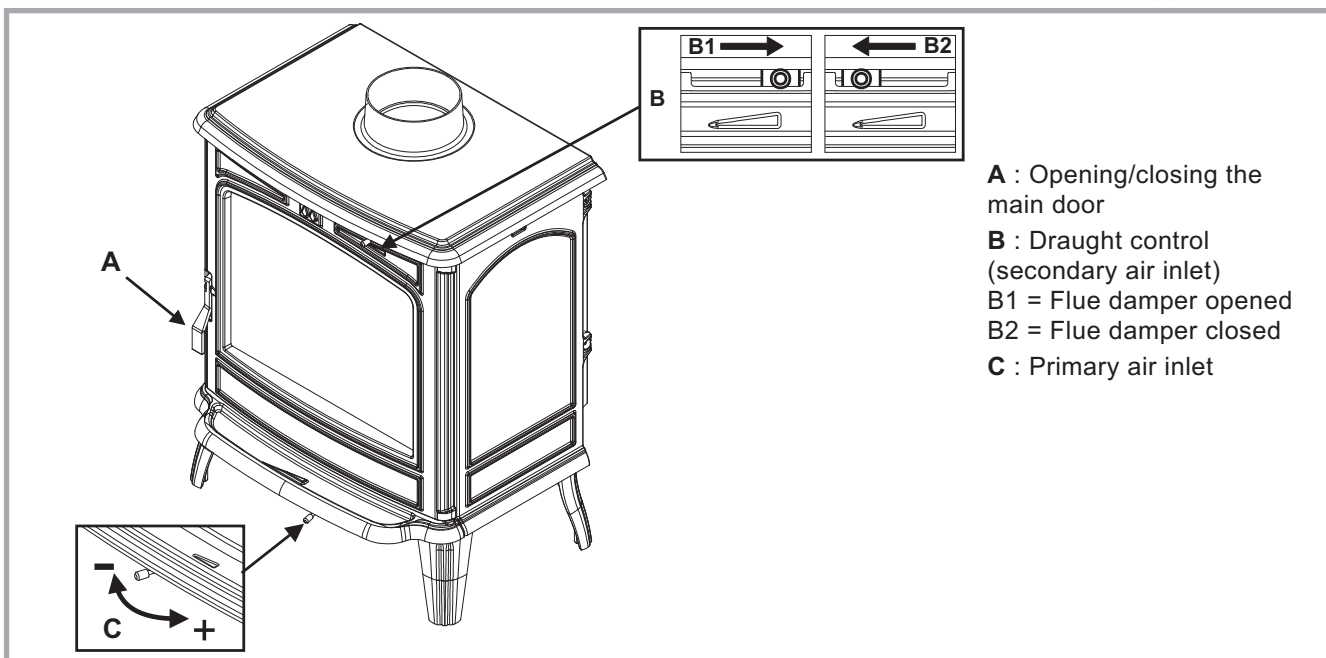
Anthracite – dry steam coal fuels as described in type A – table B2 of the Standard – smokeless fuels along with coalite and anthracite.

• **Prohibited fuel :**

Any form of housecoal (bituminous coal) or petroleum based fuels.

We do not recommend that unseasoned wood (green wood) is used due to it's high levels of moisture which will produce tar and in turn can cause the insides of the stove and the lining of the chimney to become coated which in turn could lead to a chimney fire.

We do not recommend recovered wood e.g railway sleepers, chipboard, pallets are burned as these have been treated and will product a great deal of pollution to the environment and will overheat the appliance.



- A : Opening/closing the main door
- B : Draught control (secondary air inlet)
- B1 = Flue damper opened
- B2 = Flue damper closed
- C : Primary air inlet

Figure 7 - Operating devices

3.2 Lighting

Figure 7

- Slide the air control (# B and C).
- Open the front door and lay firelighters or rolled up newspapers on the grate with a reasonable quantity, if necessary, of dry kindling wood. Place 2 or 3 small logs on top.
- Light the newspaper or firelighters using a long taper and close the front door.
- When the fire is burning fiercely, add further logs of a diameter up to 10 cm.
- When the stove body is very hot, close the lower air control (# C).
- The burning rate can now be adjusted by moving the top air control to the left (# B).

Experience will show you which settings are best for your situation.

3.3 Operating procedure

The appliance must function with the door properly closed, the burning rate being controlled in using the secondary air regulation flap (rep. B).

Experience will show you which settings are best for your situation.

The airwash system works with the top airslide. When the top airslide is full open the system works at its strongest efficiency.

The more closed down the airslide is, the less effective the airwash will be (when shut down completely, the airwash system can not function).

• Loading the fuel

- The door should be opened slowly, avoiding a sudden rush of intake air, so that smoke does not escape into the room.
- The logs must be placed on the glowing embers.
- For a briskly burning fire, there should always be at least two logs in the fire. The fire will burn better if there are several logs.
- For a slower burning fire (for example, at night), select larger logs.
- After loading the firebox, close the main door (rep. A, figure 7, page 7).

3.4 De-ashing

- Ashes must be removed regularly.
- Ashes must never be allowed to pile up to the grate. The grate would not be cool down and could rapidly be damaged.
- Empty the ashes when the appliance is cold.
- Remove the ash drawer using the tool provided.
- Empty the ashes carefully with regard to the live embers.

3.5 Maintenance of the Chimney

Very important ! In order to avoid any incident (chimney fire, etc...), maintenance tasks must be carried out regularly.

If the appliance is regularly used, the chimney should be swept several times per year, together with the stovepipe connection section.

If the chimney catches fire, you must cut off the flue draught, close the doors and windows, hatches and keys and call the Fire Brigade without delay.

DO NOT OPEN THE DOOR OF THE APPLIANCE (OR AIR INLET) UNDER ANY CIRCUMSTANCES.

The chimney must be serviced and cleaned by a specialist.

3.6 Maintenance of the stove

- The appliance must be cleaned regularly, together with the connecting pipe and the flue pipe.
- Open the door and remove all deposits in the firebox and clean the removable fire grate.
- Cleaning of the glass door can be done with a soft cloth dampened with water and vinegar or potassium ; this must be done when the appliance is cold ; then rinse with clear water. **Do not use abrasive cleaners.**
- The "vitroceramic" glass will resist to temperatures of up to 750 C. Should the glass break due to misuse, it must be replaced by the manufacturer own product.
- All the casing parts can be cleaned using a soft cloth either dry, or slightly damp. In case of condensation or water splashes clean the parts before they dry out.
- Check that there are no obstructions before relighting after a long period of disuse.
- The appliance must not be used with a flue serving several appliances.
- Keep the grates ventilation free of any obstruction.
- The baffle plates should be removed regularly and any ash or deposits cleaned away.
- Ashes must not be allowed to build up.
- The door rope seals should be checked annually and replaced when required.

3.7 Safety advice

This appliance produces heat and may cause severe burns if touched.

The stove may still be **HOT** even when the fire has burnt out.

KEEP CHILDREN AWAY.

A FIRE GUARD IS ADVISABLE TO PROTECT CHILDREN THE ELDERLY AND INFIRM.

3.8 Trouble shooting



: This sign means that you should ask for a qualified engineer to do the work.

<i>Situation</i>	Probable causes	- Corrective action
<i>Fire difficult to start. Fire goes out.</i>	Wood green... or too damp	- Use hard wood logs, which have been cut for at least two years and stored, under a ventilated shelter.
	Logs are too big	- To light the fire, use small, very dry twigs. To maintain the fire, use split logs.
	Poor quality wood	- Use hardwood that have a higher calorific value per cu metre (Yoke-elm, oak, ash, maple, birch, elm, beech, etc..).
	Not enough primary air	- Open air control. - Open the outside fresh air inlet grid.
	Insufficient draught	- Open temporarily the flue damper control. <input checked="" type="checkbox"/> - Check that the flue is not obstructed, sweep it if necessary. - Seek advice from a chimney specialist.
<i>Fire burns too quickly.</i>	Too much draught	- Partially close the air control.
	Excessive draught	- Check that the chimney-flap does not remain opened. <input checked="" type="checkbox"/> - Install a draught stabiliser to the connector pipe.
	Poor quality wood	- Do not continuously burn small wood, sticks, bundles, carpentry offcuts (plywood, pallets), etc...
<i>Smokes when lighting up.</i>	The flue damper is closed	- Open the flue damper.
	Flue duct is cold	- Burn paper and kindling wood to increase heat.
	Room is in decompression (negative pressure)	- In houses equipped with mechanical ventilation, partly open a window until the fire is well established.
<i>Smokes while burning.</i>	Insufficient draught	- Open temporarily the flue damper control. <input checked="" type="checkbox"/> - Consult a chimney specialist. - Check that the flue is not obstructed, sweep it if necessary.
	Down draught	<input checked="" type="checkbox"/> - Install an anti-down draught cowl.
	Room is in decompression (negative pressure)	- In houses equipped with mechanical ventilation, an outside air intake must be installed in addition to the chimney itself.
	Poor quality wood	- Use the recommended fuel.
<i>Low heat output.</i>	Poor mixing of the convection air	<input checked="" type="checkbox"/> - Check the air flow system (air inlet, piping, air outlet). - Check that the next rooms are equipped with ventilation grids to help out the hot air circulation.

4 Spare parts

When ordering spare parts, specify the **stove type** and **serial number**, including the **colour index** (on the guarantee or identification plate), the **name of the part** and the **part number**.

Example : Multifuel stove “SAVOY MK2”, ref. 134 08 09, colour Y, top plate 352176 EF.

A = 134 08 09 Y ; B = 134 08 09 P ; C = 134 08 09 E : D = 134 08 09 C

N°	Code	Description	Type.	A	B	C	D	Qty
1	100917	Cam pin		A	B	C	D	01
2	100939	Axle		A	B	C	D	03
3	105006	Gasket	Ø 15	A	B	C	D	1,60 m
4	105622	Wall		A	B	C	D	01
5	105623	Wall		A	B	C	D	01
6	105639	Back wall		A	B	C	D	01
7	105625	Wall		A	B	C	D	01
8	134253	Bushing		A	B	C	D	01
9	134758	Pin	4 x 16	A	B	C	D	02
10	142881	Gasket		A	B	C	D	04
11	265602	Knob		A	B	C	D	01
12	166003	Spring	11 x 15	A	B	C	D	01
13	179628	Regulator shaft		A	B	C	D	02
14	181607	Ceramic rope	Ø 9,5	A	B	C	D	2,50 m
15	181632	Gasket	Ø 6	A	B	C	D	1,30 m
16	188881	Ceramic glass	402 x 322 X 4	A	B	C	D	01
17	189103	Screw	27 x 8 x 6	A	B	C	D	02
18	189104	Screw	6 x 22	A	B	C	D	02
19	189825	Screw	M 5 x 6	A	B	C	D	01
20	205362	Back panel		A	B	C	D	01
21	323217	Flue baffle		A	B	C	D	01
22	236138	Reducing plate		A	B	C	D	01
23	237406	Reducing plate		A	B	C	D	01
24	237427	Reducing plate		A	B	C	D	01
25	259015	Fixing plate		A	B	C	D	04
26	262607	Heat shield		A	B	C	D	01
27	270402	Air control flap		A	B	C	D	01
29	300128 EF	Leg		A				04
29	300128 RH	Leg			B			04
29	300128 RP	Leg				C		04
29	300128 MK	Leg					D	04
30	300446 EF	Base		A				01
30	300446 RH	Base			B			01
30	300446 RP	Base				C		01
30	300446 MK	Base					D	01
31	301526 EF	Door lock		A				01
31	301526 RH	Door lock			B			01
31	301526 RP	Door lock				C		01
31	301526 MK	Door lock					D	01
32	303718 EF	Blanking plate		A				01
32	303718 RH	Blanking plate			B			01
32	303718 RP	Blanking plate				C		01
32	303718 MK	Blanking plate					D	01
33	303860 EF	Flue collar		A				01
33	303860 RH	Flue collar			B			01
33	303860 RP	Flue collar				C		01
33	303860 MK	Flue collar					D	01
34	306276 EF	Back wall		A				01
34	306276 RH	Back wall			B			01
34	306276 RP	Back wall				C		01
34	306276 MK	Back wall					D	01
35	307443 EF	Fuel retainer		A	B	C	D	01
36	308711	Coal grate		A	B	C	D	01
37	310739 EF	R. side panel		A				01
37	310739 RH	R. side panel			B			01
37	310739 RP	R. side panel				C		01
37	310739 MK	R. side panel					D	01
38	310834 EF	L. side panel		A				01
38	310834 RH	L. side panel			B			01

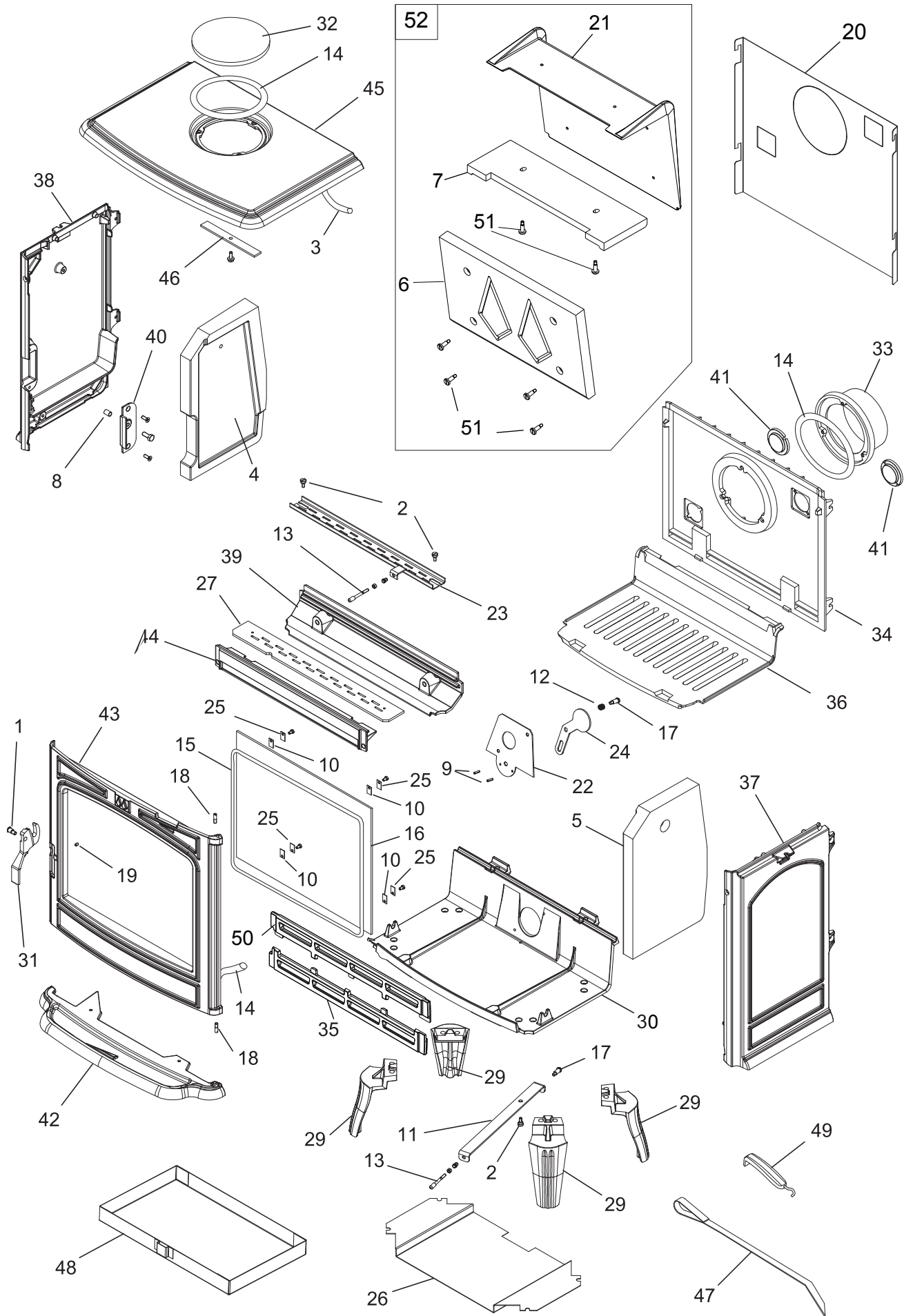


Figure 8 - Spare parts view

A = 134 08 09 Y ; B = 134 08 09 P ; C = 134 08 09 E : D = 134 08 09 C

N°	Code	Description	Type.	A	B	C	D	Qty
38	310834 RP	L. side panel				C		01
38	310834 MK	L. side panel					D	01
39	315615	Air duct		A	B	C	D	01
40	324503 EF	Sealing plate		A	B	C	D	01
41	325304 EF	Reducing plate		A				02
41	325304 RH	Reducing plate			B			02
41	325304 RP	Reducing plate				C		02
41	325304 MK	Reducing plate					D	02
42	327910 EF	Tray		A				01
42	327910 RH	Tray			B			01
42	327910 RP	Tray				C		01
42	327910 MK	Tray					D	01
43	331132 EF	Main door		A				01
43	331132 RH	Main door			B			01
43	331132 RP	Main door				C		01
43	331132 MK	Main door					D	01
44	332004	Air duct		A	B	C	D	01
45	352176 EF	Top plate		A				01
45	352176 RH	Top plate			B			01
45	352176 RP	Top plate				C		01
45	352176 MK	Top plate					D	01
46	406816	Clamp		A	B	C	D	01
47	415504 60	Poker		A	B	C	D	01
48	624042	Ash-pan		A	B	C	D	01
49	808001 ED	Hand tool		A	B	C	D	01
50	307447 EF	Fuel retainer		A	B	C	D	01
51	189137	Screw	6 x 10	A	B	C	D	06
52	909820	Baffle kit		A	B	C	D	01



Guarantee certificate

Legal guarantee

The specifications, dimensions and information shown on our documents are provided for information purposes only and under no circumstances are binding upon the vendor.

With the aim of constantly improving our equipment, all modifications considered as necessary by our departments may be made without notice.

The provisions of the present guarantee certificate are not excluding or limiting the owner of the equipment's rights, concerning the legal guarantee regarding faults or hidden vices which applies in all circumstances, in the conditions detailed in articles 1641 and following of the civil code, and in the country in which the equipment was purchased.

Contractual guarantee

Our equipment is guaranteed against faults and hidden vices subject to the following conditions :

- 1) Installation and adjustment of the device by a professional installer.
- 2) Observance of the instructions provided in our technical documents and our installation/adjustment instructions.
- 3) The installation, use and maintenance of the device carried out in conformity with the applicable standards and legislation, and with the indications provided in the technical instructions accompanying the device.

This guarantee covers the replacement, in our factory, of parts recognised as being defective from the outset by our "Guarantee Inspection" Department. Carriage and labour is at the user's cost. Moreover, if the repair or

replacement of parts covered by the guarantee is found to be too costly vis-à-vis the price of the appliance, the decision to replace or repair the appliance will be taken by the vendor.

Our guarantee is for 2 (two) years for all appliances, with the exception of closed combustion fireplace and inserts for which our guarantee is 5 (five) years excluding the following:

- 1) Indicator lights, fuses, electrical elements and fans.
- 2) Parts subject to wear or in contact with high temperatures namely: soles and burner grills, bottom plates baffles, ash pans, paintwork and surface treatments for decorative parts. Also excluded from this guarantee are seals and windows.
- 3) Any damage which may result from the use of the appliance with a fuel other than that stipulated in our instructions.
- 4) Damage occurring to parts caused by elements outside the appliance (down draught, storm damage, damp, abnormal pressure or vacuum, heat shocks, etc...).
- 5) Damage to electrical parts caused by plugging in and using the appliance on a mains system, the voltage of which (measured at the entrance to the appliance) is 10% above or below the nominal voltage of 220 V.

Exclusion of liability

In the case of a product manufactured at the client's request, under no circumstances may we, as a subcontractor, be considered liable vis-a-vis the client or third parties for defects arising from the installation or a design fault with the item in question.

☒ Name and address of the installer : _____

☎ Telephone : _____

☒ Name and address of the customer : _____

Date of installation : ____ / ____ / ____

Model of the appliance : 134 08 09 + 134 08 11

Color : Y P E C

Serial number : _____

- This certificate has to be completed and kept carefully.
In case of claims, send a copy of this to :

STAUB FONDERIE, BP 73, 59660 MERVILLE, FRANCE.