

---

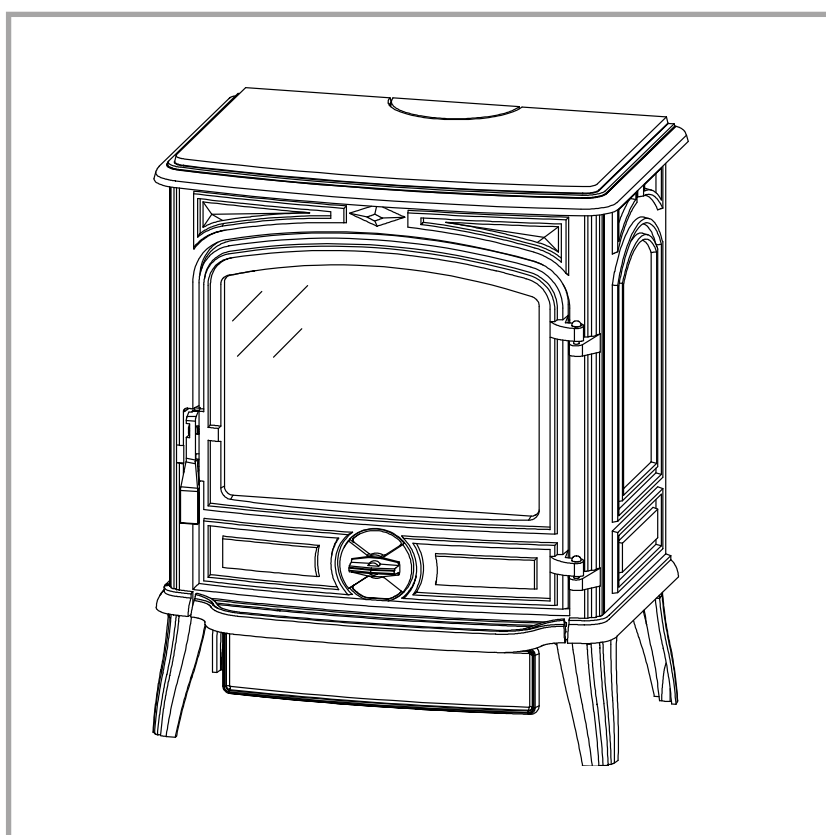
# SAVOIE GP

---

Gas stove,  
EN 613

**model 154 07 07**

Propane gas (type G31)  
Category I3p



Description of the appliance

Installation instructions

Operating instructions

Spare parts

Warranty certificate

---

Document n°1185-1 ~ 26/07/2004

FR

EN

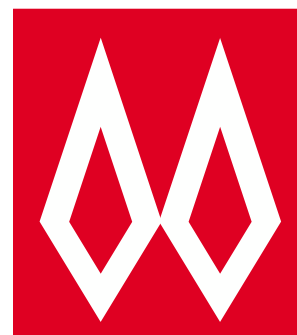


**Technical manual**

to be saved

by the user

for future reference



**FRANCO BELGE**

**STAUB FONDERIE**

**Head Office Address**

2, rue Saint Gilles  
68230 TURCKHEIM  
RC Colmar  
SIREN 439 330 325

**Address - Administration and  
manufacturing**

BP 73  
59660 MERVILLE (FRANCE)  
Telephone : 00 333 28 43 43 43  
Fax : 00 333 28 43 43 99

Subject to modifications.

FRANCO BELGE congratulates you on your choice.  
 FRANCO BELGE, which has been granted the ISO 9001 certification, guarantees the quality of its appliances and is committed to meet its customers' needs.  
 FRANCO BELGE, which can boast a 75-year experience in the industry of heating devices, uses state-of-the-art technologies to design and manufacture its whole range of products.  
 This document contains instructions on how to install your appliance and make full use of its functions, both for your comfort and safety.

---

## Contents

---

<b>Description of the unit . . . . .</b>		<b>3</b>
Package . . . . .	3	Dimensions . . . . . 3
Optional equipment . . . . .	3	Operating principle . . . . . 4
Specifications . . . . .	3	Safety advice . . . . . 4
<hr/>		
<b>Installation instructions . . . . .</b>		<b>5</b>
Check the stove . . . . .	5	Smoke exit . . . . . 6
Ventilation . . . . .	5	Pressure Testing . . . . . 6
Clearance requirements . . . . .	5	Door Lock . . . . . 6
Chimney connector . . . . .	6	Ceramic Fuelbed Layouts . . . . . 7
Connecting the gas supply . . . . .	6	Commissinoing the Stove . . . . . 8
<hr/>		
<b>Instructions for user . . . . .</b>		<b>9</b>
Manual Tap . . . . .	9	Maintenance . . . . . 10
Recommandations . . . . .	9	Trouble shooting. . . . . 10
Safety devices . . . . .	10	
<hr/>		
<b>Spare parts . . . . .</b>		<b>11</b>

---

This appliance is a gas stove.

## WARNING

This appliance must be installed in compliance with the rules in force by a competent engineer.

The appliance must not be operated if the window is cracked or broken.  
The safety pilot on the burner must not be adjusted  
and must not be put out of operation.

Incorrectly installed gas appliances can be dangerous and possibly cause serious accidents.

The manufacturer's responsibility shall be limited to the supply of the appliance.

## 1. Description of the unit

### 1.1 Package

The package will contain the following parts:

- Savoie stove inc. burner
- Logs kit (FB 0706)  
or Coals kit (FC 0707)

### 1.2 Optional equipment

- Remote Control (Simple version) (TCB 0515)
- Remote Control (Programmable version) (TCR 0515)

### 1.3 Specifications

Model . . . . .	Savoie
Gas . . . . .	Propane
Type/Category . . . . .	G31/I3P
Heat Input . . . . . kW	6
Supply Pressure . . . . . mbar	37
Burner Pressure . . . . . mbar	29,6
Gate Rate (max.) . . . . . m <sup>3</sup> /hr	0.23
Gate Rate (min.) . . . . . m <sup>3</sup> /hr	0.08
Injector . . . . .	180
Weight . . . . . kg	82.5

### 1.4 Dimensions

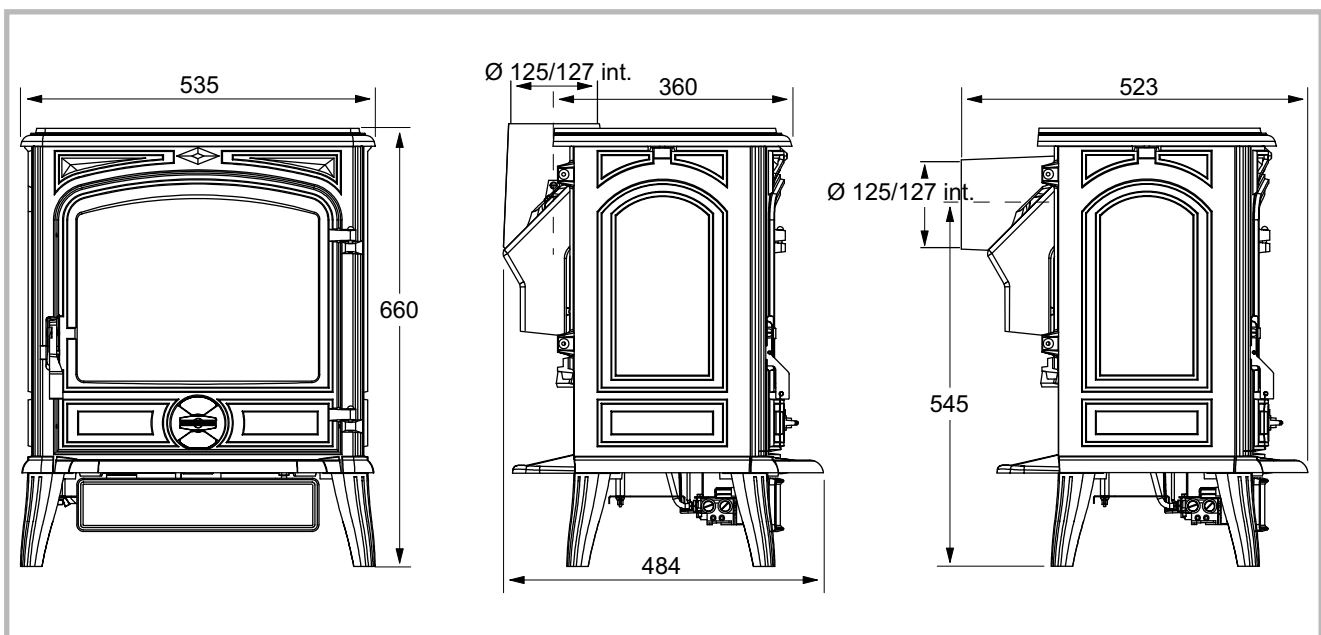


Figure 1 - Dimensions in mm

## 1.5 Operating principle

The appliance is designed for operating only with the door closed.

The stove is designed to run only off propane gas.

Heat is mainly diffused by radiation through the window and by hot air diffusion around the body of the appliance.

The pilot light is on constantly.

The appliance is fitted with a 'Flame Supervision Device' (FSD). If the burner should become accidentally extinguished, the FSD will automatically cut off the gas supply.

The system is not adjustable, and should not be rendered inoperative.

## 1.6 Safety advice

This appliance has a ceramic Fire-bed layout, this contains Refractory Ceramic Fibres which are manmade vitreous silicate fibres. Excessive exposure to these materials can cause irritation to eyes, skin and respiratory organs. Hence we recommend that when handling these materials the release of dust should be kept to a minimum. During installation and servicing we recommend that a HEPA filtered vacuum be used to remove any dust and soot in and around the fire. If any of the ceramic fire-bed components need to be replaced we recommend that the removed parts be sealed in a heavy duty polythene bag, and be labeled as RCF waste. RCF is not "Hazardous waste" and can be disposed of at a licensed tipping site for the disposal of industrial waste.

The appliance incorporates an Oxygen Depletion Sensor (ODS) Monitoring system. This is located on the front of the burner, and must not be adjusted by the installer. This ODS system must not be put out of operation, and if any parts require changing, only original manufacturer parts shall be used.

The Savoie is designed to be used on either Propane Gas (G31). However the stove may only be used on the specific gas requested at the time of purchase, and the stove data plate should be checked before fitting is commenced to ensure that the correct gas is specified.

This appliance has been designed, tested and approved to meet standards in place for product use, performance and safety. Installation of your stove must comply with current building regulations. Franco Belges therefore recommend that a CORGI engineer be employed for this task. Taking particular notice of "thermal inversion" The engineer will provide you with information about the safety limits of the installation and should fix a notice plate in a place where it can be readily seen, eg: next to the electricity meter.

This appliance is designed as an efficient heating device and consequently all body parts become very hot in use. Except for the control knob and control

access door, which are designed to stay cool, all other parts are working surfaces and should not be touched.

The glass and frame on this appliance acts as a fireguard conforming to BS: 1945 – 1971 and satisfies the Heating Appliance (Fireguards) regulations 1991. No part of the window or frame should be permanently removed. **It does not give full protection for young children or the infirm**, extra protection should be considered for these conditions conforming to BS 6539 or BS 6778.

Bearing in mind that the heat given off by this appliance may affect articles placed close to it, curtains should not be placed within 30 cm.

The appliance is not designed as a dryer. It is not therefore recommended that the appliance be used in such a manner. Do not place any articles within 30cm of this appliance as this may result in damage to the articles.

The installation must be carried out in accordance with the following regulations:

The Building Regulations issued by the Department of the Environment, the Building Standards (Scotland) (Consolidation) Regulations issued by the Scottish Development Department.

BS 1251, BS 5440 part 1, BS 5871 part 2, BS 6461 part 1, BS 6891 and BS 8303.

In the Republic of Ireland the installation must also conform to the relevant standards, particularly in regard to flue sizing and ventilation. Refer to documents IS813, ICP3, IS327 and any other rules in force.

This appliance must be installed in accordance with the rules in force and used only in a sufficiently ventilated space.

## 2. Installation instructions

The appliance should only be installed by a professional engineer, in the strict application of normal practices and all safety precautions. The installation must be carried out according to the Standards and the Building Regulations.

### 2.1 Check the stove

- Check the stove immediately after reception.
- Ensure that the appliance conforms to the type of gas distributed and the method of venting away the combustion products as per the indications on the appliance's information plate and the gas setting label affixed to the appliance when it leaves the factory.
- The appliance is adjusted and sealed in accordance with category (G31) I E3P.
- Notify the vendor if there is any damage or fault.

### 2.2 Ventilation

The premises should be in accordance with the building regulations.

**Ventilation** : The ventilation rate should be of at least 22 m<sup>3</sup>/h.

This gas stove is rated at less than 7kW; it therefore does not normally require additional ventilation in the room to conform to BS 5871 pt.2. However it is important that adequate air for complete combustion is available, and also if other gas appliances or extractor fans are fitted in the same room or adjacent area, then it will be necessary to refer to BS 6714 and BS 5440 :pt.2. to ascertain the additional ventilation requirements.

### 2.3 Clearance requirements

The stove must stand on a fireproof hearth, which must be of a non-combustible material with a minimum thickness of 12mm and extend 150mm in front of the stove.

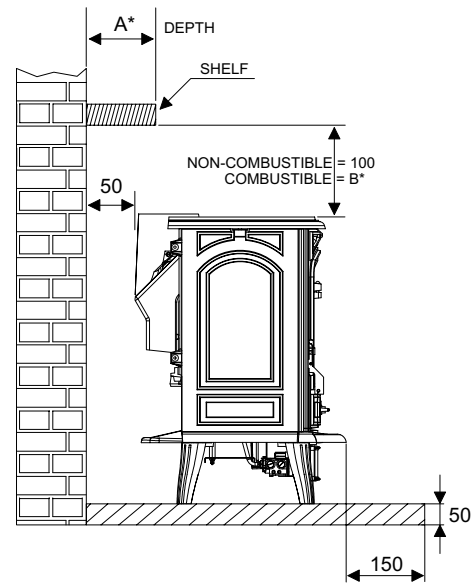
The hearth must not be capable of inadvertent covering by a rug or carpet. This may be achieved by either the hearth being 50mm above the level of the floor, or a fender or kerb around the hearth to a height of 50mm.

The appliance must not be fitted against a rear wall constructed from a combustible material; a gap of 300mm should be given all round the stove before combustible materials may be used in the wall construction.

If the appliance has to be located in an opening, the minimum clearance from non-combustible materials is shown in the figure.

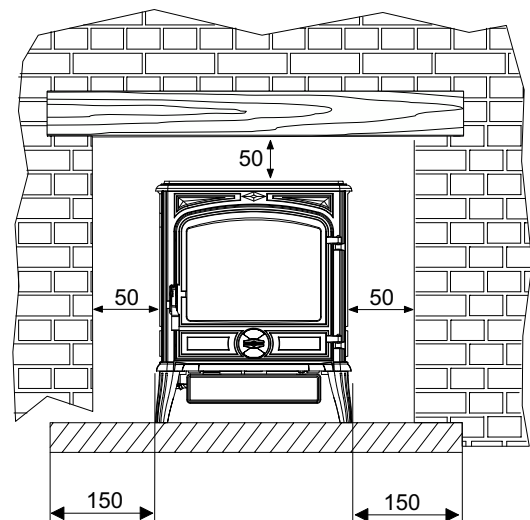
The stove must be located at least 280mm from any combustible materials.

A combustible shelf may be fitted over the appliance, if in the case of a 150mm or less deep shelf, there is at least 280mm clearance above the top of the stove. The shelf depth may increase at the same rate as the increase in clearance.



A	B
100	250
150	280
200	330
250	350
300	400

(i.e. a shelf depth of 200mm would require a clearance of 330mm).



If the appliance has to be located in an opening, there must be a clearance of at least 50 mm at the left and right hand of the appliance, 50 mm at the back of the appliance and 50 mm above from any non-combustible materials. This distance must be extended to a minimum clearance of 80 mm from any combustible materials.

## 2.4 Chimney connector

The premises should be in accordance with the building regulations.

- The flue must be in good condition and must provide sufficient draught (draught required **10 to 20 Pa**).
- The flue must be **suitable** for the installation of fuel burning appliances ; otherwise it must be necessary to install a tubing.
- The flue must be **clean**. It should be swept to remove soot and dislodge tar deposits.
- The flue must be **well insulated**. If the flue inner wall surfaces are cold, a good thermal draught is impossible causing condensation problems (tar formation etc) to occur.
- The conduit must be sealed and have a purging T.
- The conduit must be of normal cross-section and constant throughout its height, with a cross-section at least equal to that of the appliance's nozzle.
- The chimney must be at 40 cm above the ridge of the roof and 8 meters away from any construction.
- In case of a flat roof or when the roof gradient is lower than 15°, the stack must be 1,2 m (4 feet) high at least.
- The capping must not restrain the draught.

If the chimney has a down-draught tendency, due to its position in relation to nearby obstacles, an anti-down-draught cowl must be installed on the chimney or the chimney height must be increased.

## 2.5 Connecting the gas supply

It is important to ensure that all pipework installed is fitted in accordance with BS6891 and is capable of supplying sufficient gas flow and pressure to meet the minimum pressures quoted in the front of this manual. 8mm pipe may only be used for the final connection to the stove, or within 1 meter of the appliance. An 8mm nut and olive is supplied with the stove for the final pipe joint.

A gas supply isolation tap must be installed in the supply pipework in a location that is easily accessible, such that the appliance may be isolated if necessary.

Check the tightness of the pipes using soapy water or detergent.

Do not make any connections to the appliance until all supply pipes have been purged to expel any dust or debris. Failure to do this may result in a blocked injector or tap and will invalidate the guarantee. View on under side of stove to show final connection of 8mm pipe to stove.

Although a gas soundness test is made on all appliances before they leave the factory, the appliance should be tested for soundness before operating the stove. This is to ensure that the burner has not been damaged in transit.

## 2.6 Smoke exit

- The flue collar is reversible so that the smoke exit can be done at rear (fig. 2) or on the top.

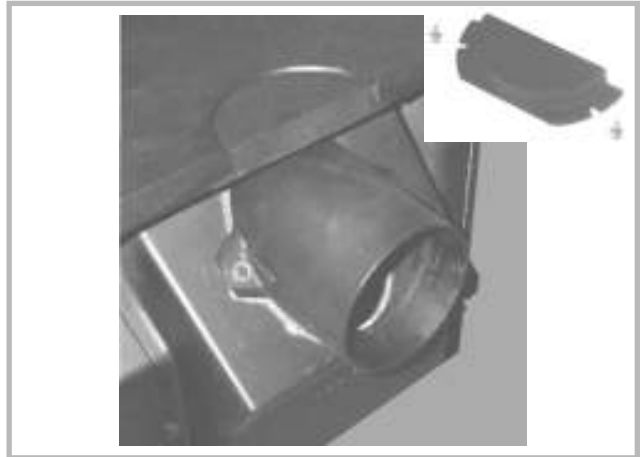
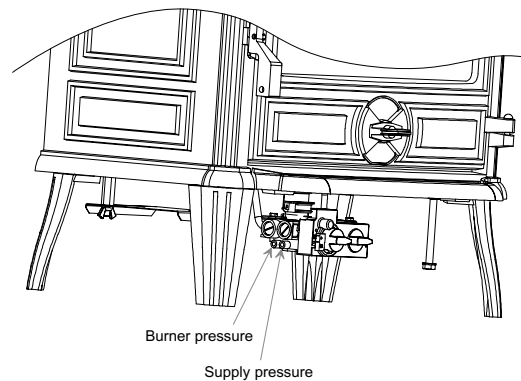


Figure 2 - Smoke exit at rear

## 2.7 Pressure Testing

The gas pressure to the stove must be measured at the burner test nipple.

For propane gas this is 29,6 mbar measured with the appliance in the full rate position.



## 2.8 Door Lock

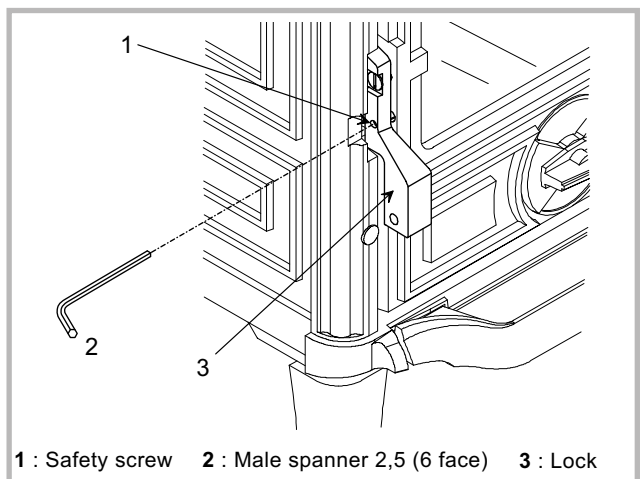


Figure 3 - Door Lock

## 2.9 Ceramic Fuelbed Layouts

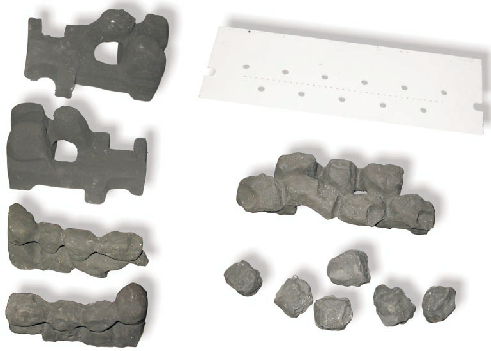
### • Coal Layout

Only the ceramics supplied with this appliance are to be used. The coals must be laid only as shown on the following pages. Replacement coals, ceramic and mat are available from your dealer, but should only be installed by a qualified installation engineer.

*The stove should arrive with the following parts as required for the coal layout:*

- 1 No. Top Mat
- 1 No. Rear Matrix (supplied in 2 parts)
- 1 No. Front Matrix (supplied in 2 parts)
- 1 No. Top Matrix
- 1 No. Large Coal
- 5 No. Small Coals

Please check that the correct parts and quantities have been delivered before commencing installation.



Ensure that the Pilot Assembly remains unobstructed when arranging the coals. Note that there is a viewing slot in the matrix such that the Pilot Flame will be visible when lit, this must also be kept clear.

Please note that once the stove is lit, the coals become very hot, care must be taken when adjusting coals after the appliance has been lit. Franco Belge accept no responsibility for any injury sustained whilst handling hot ceramics.

Lay the Ceramic Mat on top of the Burner as shown above making sure that all holes including the small cross lighting holes are not blocked, and that the pilot assembly is not obstructed.



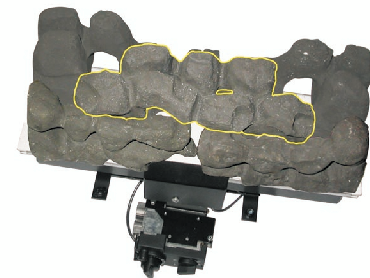
Place the Rear Matrices on top of the mat and burner as shown below, the matrices should be pushed back so that the rear burner tray holes line up with the matrix as shown below. The locating slots on the underside of the matrices locate on the back lip of the tray to aid correct positioning, Please note that there are two sets of slots. **The Rear slots are for Natural gas, the front slots are for LPG. It is important to position the matrices on the correct set of slots, such that for LPG the matrices sit further back than for Natural Gas.**



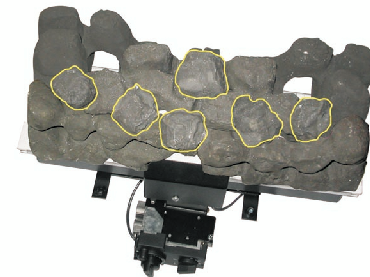
Place the Front Matrices as shown below., noting that the front matrix is positioned right forward on the burner. Please note that there are locating lugs on the underside of the front matrices to position it against the front edge of the burner top. Ensuring that where the two front matrices meet is directly above the centre of the three flame pilot head.



Position the Top Matrix as shown below., noting that on Natural Gas appliances the Top Matrix is pulled right forward to touch the front matrix, on LPG the Top Matrix should be positioned 10 mm back from the front matrix.



Place the 5 Small Ceramic Coals and Large Ceramic Coal as shown below, locating the coals into the slots in the Matrices.



**• Log Pattern Arrangement**

Only the ceramics supplied with this appliance are to be used. The ceramics must be laid only as shown on the following pages. Replacement coals, ceramic and mat are available from your dealer, but should only be installed by a qualified installation engineer.

*The stove should arrive with the following parts as required for the coal layout:*

- 1 No. Top Mat
- 1 No. Bag of Embers
- 1 No. Large rear Log
- 2 No. Medium side logs
- 2 No. Small Front Logs

Please check that the correct parts and quantities have been delivered before commencing installation.



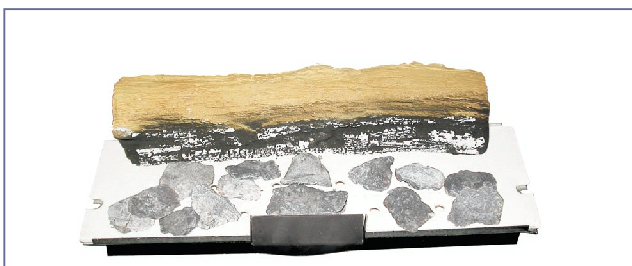
Lay the Ceramic Mat on top of the Burner as shown above making sure that all holes including the small cross lighting holes are not blocked, and that the pilot assembly is not obstructed.



Place the Large Log across the rear of the burner. The Log should be placed with the "Charred" face towards the front. The Log will be layed on top of the mat, but placed behind all of the holes on the top of the burner/mat, as shown in the figure below.



Scater the bag of embers equally over the remainder of the burner area, being careful not to block of impinge the pilot, as shown in the figure below.



Place the two remaining logs in the front of the firebed on top of the Embers. The "Y" shaped log should be placed first with one of the legs of the log sitting on top of the rear log in between the two side logs, the other end will be placed in the front left hand corner. Care must be taken not to block or impinge the pilot. The last log is placed on the Right hand side. The figure below shows this stage.

Place the front log bar casting in it's retainers in front of the logs.



**2.10 Commissinoing the Stove**

A spillage test **MUST** be made before the installed stove is left with the customer.

Carry out the test by first closing all doors and windows in the room containing the stove.

Ensure that the fire is burning at full rate for a minimum of 5 minutes.

Using a smoke match, run along the edge of the draught diverter. The smoke should be drawn into the draught diverter. The test should be made over the full width of the draught diverter, and the test may be done from either left or right.

If most of the smoke is not drawn into the draught diverter leave for a further 10 minutes and repeat.

If there is a fan in the room (or adjacent rooms) the spillage test be repeated with the fan running on full power and all connecting doors between the fire and fan left open.

If there are problems, the chimney/flue may require attention. Isolate the stove and seek expert advice.

The stove will produce an odour and/or smoke for the first few hours of use. Please ventilate the room.



## 3. Instructions for user

The appliance 154 07 07 is adjusted and sealed in accordance with category (G31) I E3P.

A qualified installer must connect and commission the appliance in accordance with the prevailing regulations; otherwise the guarantee is void.

**Warning:** You are strongly advised to protect unsupervised young children and handicapped people from the high temperature reached by the accessible operating surfaces and in particular the glass.

The ignition and adjustment knob is on the bottom of the appliance. The pilot light is to the front of the burner, under the matrix.

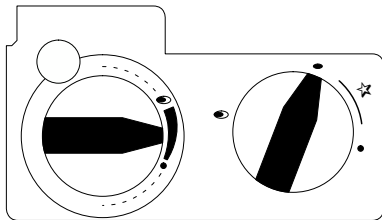
### 3.1 Manual Tap

#### • Igniting the Pilot Light

Turn the Right-hand knob slightly anti-clockwise towards the ignition position until reaching stop, depress and hold for five seconds (only pilot gas flows). Whilst still depressed, turn further in an anti-clockwise direction to activate the piezo. If the pilot does not light, repeated immediately.

Continue to keep the knob depressed for a further 10 seconds, after the pilot has been lit.

Upon releasing the knob, the permanent pilot will remain lit, if not return to off position and repeat.

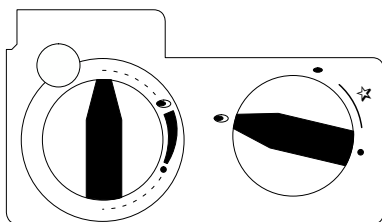


#### • Running the appliance at high output

Ignite permanent pilot as shown in "Igniting the pilot light".

Turn the Right-hand control knob anti-clockwise to the setting, which shows the larger flame. Turn the Left-hand control knob anti-clockwise to the highest setting (large flame).

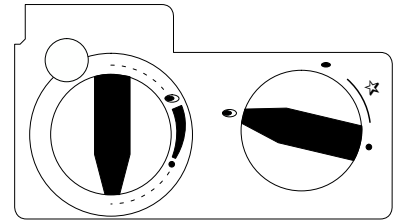
The appliance is now burning at its highest operating output.



#### • Running the appliance at low setting

Ignite permanent pilot and run appliance at "High" setting for a minimum of 10 minutes as shown above.

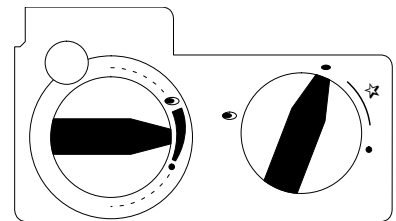
With the Left-hand control knob at the highest setting, rotate in a clockwise direction to the lowest setting (filled circle).



The appliance is now operating at its lowest operating output.

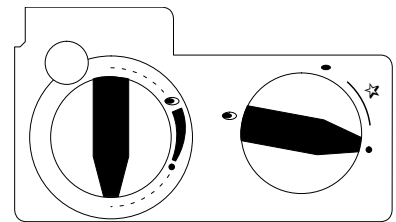
#### • Extinguishing the appliance back to permanent pilot setting

From any heat setting, turn the Right-hand knob in a clockwise direction to the "Pilot" position (the smaller flame).



#### • Extinguishing the appliance fully

From any heat setting, turn to "Pilot" as in "Extinguishing the appliance back to permanent pilot setting". Depress the same knob slightly and turn clockwise to "Off" position (filled circle).



### 3.2 Recommendations

- Whenever you ignite the appliance, ensure that the pilot light's flame is long enough (2-3cm) to light the burner rapidly. Too long a delay in ignition can become noisy and even dangerous. When the flame seems too short, notify your heating engineer so that he can clean the pilot light.
- Close the safety tap when the stove is not used.
- Under no circumstances should the appliance be operated with the door open or the door glass damaged.
- **If you smell gas : Do not smoke ! Avoid naked flames ; do not use electric devices.** Open windows and doors, close the gas tap and call your installer away from the scene.


**Never look for gas leaks with a naked flame.**

 **This appliance produces heat and may cause severe burns if touched - keep children away.**

### 3.3 Safety devices

**Burner safety** : If there are faults in the gas supply or in lighting, the safety device (thermocouple) will shut down the gas tap automatically.

- It is advised for safety reasons to wait 5 minutes before lighting again the appliance.
- Eliminate any cause of the safety lock.
- Wait for around 10 min and re-light the appliance in accordance with section 'Lighting'.

 **In case of repeated burner cut off, due to a flue blockage, it is required to check the complete flue system (flue and connecting pipe and air inlet). Call your installer.**

### 3.4 Maintenance

Appliance servicing must be done once a year during summer time by a qualified engineer to avoid any problem or fault during winter-time. This person will also check safety devices.

Clean the painted components and the glass with a sponge or a chamois leather to avoid dirt becoming encrusted. Do this when the appliance is cold using a suitable proprietary cleaner. Never use abrasive products.

Annual maintenance by a specialist ensures that the appliance will operate correctly during the heating seasons.

### 3.5 Trouble shooting

#### **The gas pilot will not ignite or stay lit?**

Ensure the gas is turned on at the appliance and the meter/cylinder.

Depress the control knob for at least twenty seconds once the pilot is alight to ensure the operation of the safety thermocouple valve.

Ensure that the pilot injector is not obstructed or blocked and it is free from any dust or dirt.

Ensure that the thermocouple has not been damaged in transit. This is a very delicate Electro-magnetic device.

On propane, the cylinder could be empty.

#### ***The pilot is not burning or performing correctly?***

Ensure the pilot flame is the correct size for the type of gas. The flame should be focused on the thermocouple probe.

The pilot flame will have been set correctly in the factory.

#### ***The Main Burner does not seem to be burning correctly?***

Ensure adequate gas pressure to the appliance. Test pressure by releasing the pressure test screw and applying a manometer. Ensure adequate volume of gas is being used. Once the fire is burning on maximum, turn off all other gas appliances in the house and calculate the fuel being burned from the gas meter.

Make sure that the burner is burning correctly. The flame should be even across the top of the burner before any coals are placed on top.

***Piezo-electric igniter*** : *The spark between the electrode and the head of the pilot light is not clean ; there is no spark when the lighter is operated.*

- Check the contact of the high tension cable of the spark plug. When the end of the cable is held at about 3 mm from the end of the spark plug, a spark should be produced when the piezo-electric igniter is operated.
- Check that the insulation of the spark plug is not cracked, and replace the spark plug if necessary.

***The thermocouple*** : *When the unit is started up, the pilot light flame goes out when the handle is turned from the "ignite" position to the "pilot light" position.*

#### **• The thermocouple is not at a high enough temperature, the pilot light flame is too short.**

- Check that the injector is not partially blocked.

To gain access to the injector, the coals and the burner must first be dismantled (3 screws).

#### **• Bad contact at the connection of the thermocouple to the valve.**

- Check the tightness of the screw. It should be reasonably tight.

#### **• Carbon deposit on the end of the thermocouple, which reduces temperature transmission.**

Clean the end of the thermocouple with emery paper.

## 4. Spare parts

If any parts need to be replaced use only genuine Franco Belge parts, non-standard parts will invalidate the guarantee and may be dangerous.

When ordering spare parts, specify the stove type and serial number, including the colour index (on the

guarantee or identification plate), the name of the part and the part number.

Example : Gas stove "Savoie", ref. 154 07 06, Top plate 352159 EF.

N°	Codes	Designation . . . . .	Type . . . . .	Qty
1	303625 EF	Blanking plate . . . . .		01
2	352159 EF	Top plate . . . . .		01
3	303872 EF	Flue collar . . . . .		01
4	189118	Screw . . . . .	M10X10 . . . . .	01
5	321806 EF	Draught diverter . . . . .		01
6	269444	Deflector . . . . .		01
7	306280 EF	Back wall . . . . .		01
8	222571	Flue baffle . . . . .		01
9	202306 60	Ash pan guide . . . . .		01
10	314711 EF	Exchanger base . . . . .		01
11	310828 EF	L. side panel . . . . .		01
12	300127 EF	Leg . . . . .		02
13	307438 EF	Fuel retainer . . . . .		01
14	300487	Base . . . . .		01
15	310731 EF	R. side panel . . . . .		01
16	359808 EF	Front plate . . . . .		01
17	100917	Cam pin . . . . .		01
18	189849	Screw . . . . .	M 6X16 . . . . .	01
19	301541 EF	Door lock . . . . .		01
20	188820	Glass . . . . .		01
21	259015	Fixing plate . . . . .		04
22	110404	Hinge pin . . . . .		02
23	331110 EF	Loading door . . . . .		01
24	241806	Magnet support . . . . .		01
25	101013	Magnetic catch . . . . .		01
26	327903 EF	Ash pan guide . . . . .		01
27	122406	Nut . . . . .	HM8 . . . . .	08
28	167310	Washer . . . . .	M08 . . . . .	01
29	189984	Screw . . . . .	H M8X100 . . . . .	01
30	189761	Screw . . . . .	H M8X40 . . . . .	08
31	276007	Descriptive plate . . . . .		01
32	124412	Strut . . . . .	M8X45 . . . . .	01
33	122204	Nut . . . . .	M8 . . . . .	01
34	105536	Burner GN . . . . .		01
35	300128 EF	Leg . . . . .		02
36	331120 EF	Ash pan door . . . . .		01
37	142881	Gasket . . . . .		04
38	105006	Ceramic rope . . . . .		1,60 m
39	181632	Adhesive rope . . . . .		1,30 m
40	142316	Gasket . . . . .		1,50 m
41	181617	Ceramic rope . . . . .		1,04 m

N°	Codes	Designation . . . . .	Type . . . . .	Qty
42	181625	Ceramic rope . . . . .		1,58 m
43	181631	Gasket . . . . .		2,24 m
44	105296	Curved log (right) . . . . .		01
45	105297	Curved log (center) . . . . .		01
46	105295	Curved log (left) . . . . .		01
47	105298	Small log (front right) . . . . .		01
48	174043	Bag og embers . . . . .		01
49	105299	Big log (rear) . . . . .		01
50	102076	Rear base (right) . . . . .		01
51	102077	Rear base (left) . . . . .		01
52	102078	Front base (left) . . . . .		01
53	102079	Front base (right) . . . . .		01
54	109729	Moulded coal . . . . .		01
55	149984	Top coal matrix . . . . .		01
56	106039	Block gas . . . . .	GV 34 . . . . .	01
57	188322	Pilot PG . . . . .		01
58	139633	Injector PG . . . . .	18/180 . . . . .	01
59	142884	Gasket . . . . .		01
60	72815	Coals kit . . . . .		01
61	72819	Logs kit . . . . .		01

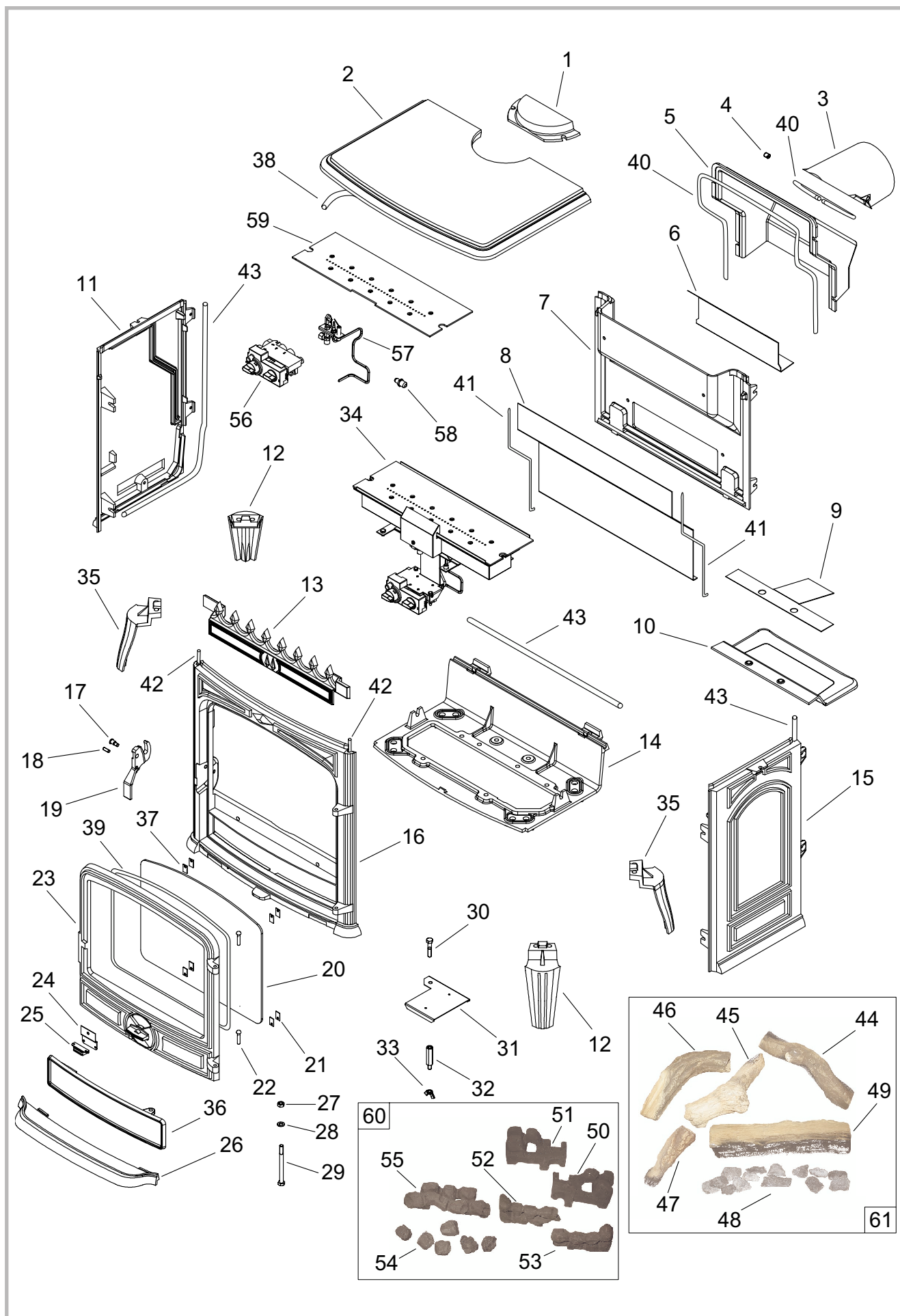
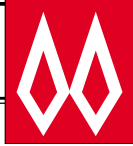
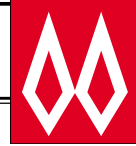


Figure 4 - Spare parts view



# FRANCO BELGE



## Guarantee certificate

### Legal guarantee

The specifications, dimensions and information shown on our documents are provided for information purposes only and under no circumstances are binding upon the vendor.

With the aim of constantly improving our equipment, all modifications considered as necessary by our departments may be made without notice.

The provisions of the present guarantee certificate are not excluding or limiting the owner of the equipment's rights, concerning the legal guarantee regarding faults or hidden vices which applies in all circumstances, in the conditions detailed in articles 1641 and following of the civil code, and in the country in which the equipment was purchased.

### Contractual guarantee

Our equipment is guaranteed against faults and hidden vices subject to the following conditions:

- 1) Installation and adjustment of the device by a professional installer.
- 2) Observance of the instructions provided in our technical documents and our installation/adjustment instructions.
- 3) The installation, use and maintenance of the device carried out in conformity with the applicable standards and legislation, and with the indications provided in the technical instructions accompanying the device.

This guarantee covers the replacement, in our factory, of parts recognised as being defective from the outset by our "Guarantee Inspection" Department. Carriage and labour is at the user's cost. Moreover, if the repair or replacement of parts covered by the guarantee is found to be too costly vis-a-vis the price of the appliance, the decision to replace or repair the appliance will be taken by the vendor.

Our guarantee is for 2 (two) years for all appliances, with the exception of closed combustion fireplace and inserts for which our guarantee is 5 (five) years excluding the following:

- 1) Indicator lights, fuses, electrical elements and fans.
- 2) Parts subject to wear or in contact with high temperatures namely: soles and burner grills, bottom plates baffles, ash pans, paintwork and surface treatments for decorative parts. Also excluded from this guarantee are seals and windows.
- 3) Any damage which may result from the use of the appliance with a fuel other than that stipulated in our instructions.
- 4) Damage occurring to parts caused by elements outside the appliance (down draught, storm damage, damp, abnormal pressure or vacuum, heat shocks, etc.).

Name and address of the installer : \_\_\_\_\_

\_\_\_\_\_

Telephone : \_\_\_\_\_

Name and address of the customer : \_\_\_\_\_

\_\_\_\_\_

Date of installation :     \_\_\_ / \_\_\_ / \_\_\_\_\_

Model of the appliance :  154 07 07

Color :  Y

Serial number :     \_\_\_ \_\_\_ \_\_\_ \_\_\_ \_\_\_

• This certificate has to be completed and kept carefully.

In case of claims, send a copy of this to :

**STAUB FONDERIE, BP 73, 59660 MERVILLE, FRANCE.**