

---

# Continental

---

## Room heater "La Parisienne"

124 03 01 - 124 05 01 - 124 07 01

How to install, use and maintain your stove.

Norme NF D 35-301



Description of the appliance

Installation instructions

Operating instructions

Spare parts

Warranty certificate

---

Document n° 286-14 ~ 17/12/2001



### Technical manual

to be saved

by the user

for future reference



**FRANCO BELGE**

Les Fonderies Franco-Belges

59660 MERVILLE

Phone : 03.28.43.43.43

Fax : 03.28.43.43.99

RC Hazebrouck 445750565B

Subject to modifications

FRANCO BELGE congratulates you on your choice.  
 FRANCO BELGE, which has been granted the ISO 9001 certification, guarantees the  
 quality of its appliances and is committed to meet its customers' needs.  
 FRANCO BELGE, which can boast a 75-year experience in the industry of heating devices,  
 uses state-of-the-art technologies  
 to design and manufacture its whole range of products.  
 This document contains instructions on how to install your appliance and make full use of  
 its functions, both for your comfort and safety.

<b>CONTENTS</b>	<b>Page</b>	<b>Page</b>
<b>Description of the unit</b> . . . . .		<b>3</b>
Package . . . . .	3	Regulations . . . . . 3
Specifications . . . . .	3	
<b>Installation instructions</b> . . . . .		<b>4</b>
Warning to the user . . . . .	4	Mounting the tray . . . . . 6
Location of the unit . . . . .	4	Door closing pressure . . . . . 6
Chimney . . . . .	4	Pre-utilisation check . . . . . 6
Hearth . . . . .	5	Soot Doors . . . . . 6
Connections to flues . . . . .	5	Commissioning . . . . . 6
<b>Operating instructions</b> . . . . .		<b>7</b>
Lighting your stove . . . . .	7	Maintenance . . . . . 8
Air inlets . . . . .	8	Fire-bricks . . . . . 8
Fuel . . . . .	8	Trouble Shooting . . . . . 9
<b>Spare parts</b> . . . . .		<b>10</b>

**Warning to the user**

A wood stove should only be installed by competent personnel, in the strict application of normal practices and all safety precautions.

An incorrectly installed wood stove can cause serious accidents (chimney fires, burning of plastic insulation materials, in partition walls, etc.).

The manufacturer's responsibility shall be limited to the supply of the equipment.

## 1. Description of the unit

### 1.1. Package

- 1 package : Stove complete.

### 1.2. Specifications

Reference		124 03 01	124 05 01	124 07 01
Nominal heat output	kW	3	5	7
Room heating volume capacity	m <sup>3</sup>	90	140	220
Weight	KGs	80	95	105
Dimensions of the firebox				
- Width	mm	340	340	340
- Depth	mm	180	180	180
- Usable height	mm	250	315	420
Logs dimensions				
- Length	cm	25	30	40
- Diameter	cm	10 - 16	10 - 16	10 - 16
Autonomy	h	8	8	8
Chimney draft required	Pa	10	10	10
Ash pan capacity	Litre	2,5	2,5	2,5

### 1.3. Regulations

**Important :** Before commencing the installation of your new Franco Belge appliance, it is recommended that the instructions are read and understood.

- **Health and Safety at Work Act 1974 :** The installation should comply with the Health and Safety at Work Act 1974 and particular reference to the following.

- **Handling :** Adequate facilities should be provided for handling the appliance.

- **Glass :** On Franco Belge models incorporating glass doors, extra care should be taken to avoid breakage.

- **Fire cement :** Care should be taken to avoid fire cement contacting the skin. The material is caustic and the event of contact being made, wash off immediately with clean water.

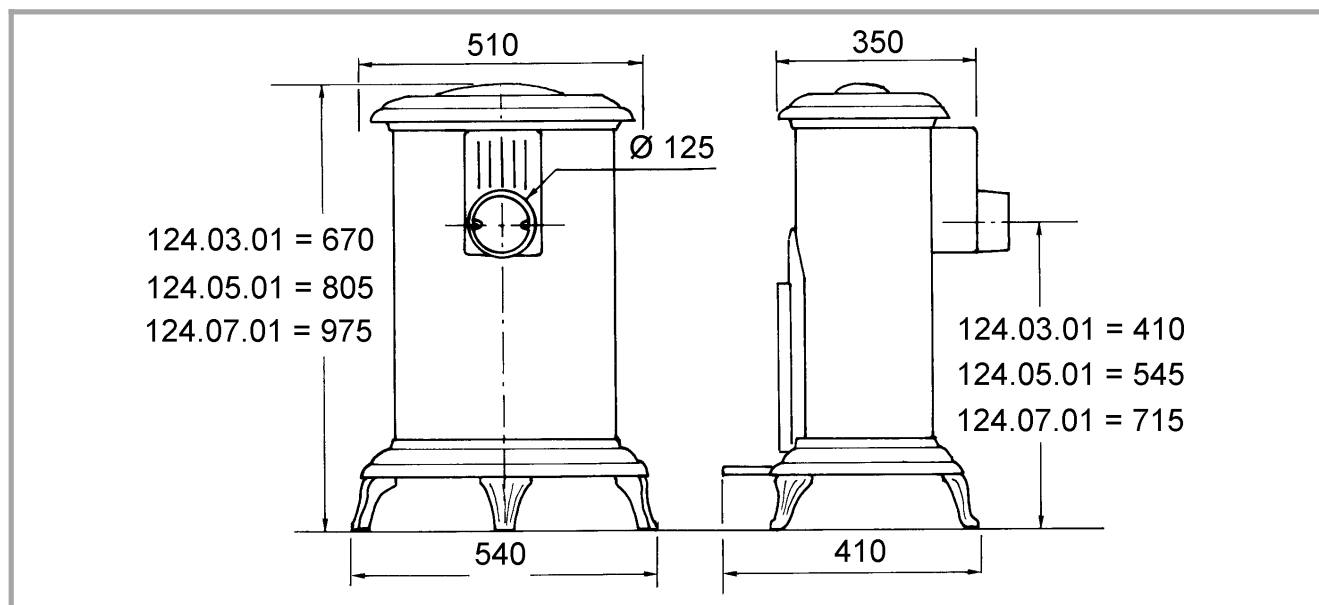


Figure 1 - Dimensions in mm

## 2. Installation instructions

The Parisienne comes bolted to a wooden pallet with a box over the top.

### 2.1. Warning to the user

An incorrectly installed heating appliance can cause serious accidents (chimney fires, burning of plastic insulation materials, in partition walls, etc.).

The installation must comply with Current Building Regulations. If in doubt, consult your Dealer or local Building Inspector.

It is the installer's responsibility to conform to local building standards and requirements with regard to installation.

The manufacturer's responsibility shall be limited to the supply of the equipment.

### 2.2. Location of the unit

#### **Ventilation :**

For satisfactory operation with a natural draught, check that sufficient air for combustion is available in the room.

#### **Chimney position :**

For new chimney installations, select a central position within the building, to provide a good heat distribution around the building.

#### **Hearth :**

The hearth must be suitable for use with solid fuel burning appliances and must comply with Current Building Regulations. If in doubt, consult your Dealer or local Building Inspector.

#### **Rear wall and ceiling :**

The appliance must not be positioned close to combustible materials, wall & ceiling surfaces etc., Consult your Dealer or local Building Inspector if in doubt.

### 2.3. Chimney

The chimney must comply with Current Building Regulations. If in doubt, consult your Dealer or local Building Inspector.

#### **Existing flue :**

The flue must be suitable for the installation of fuel burning appliances, otherwise it must necessary to install a tubing

The flue must be in good condition and must provide sufficient draught (refer to technical details p. 3).

The flue must be clean. It should be swept to remove soot and dislodge tar deposits.

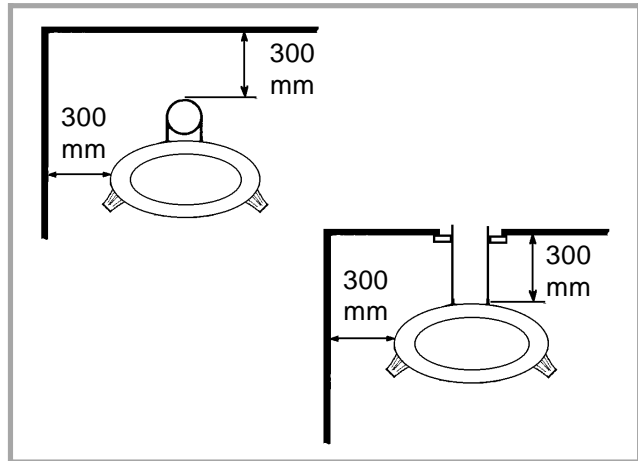
The flue must be well insulated. If the flue inner wall surfaces are cold, a good thermal draw is impossible causing condensation problems (tar formation etc.) to occur.

The flue must be watertight.

The chimney must have a constant cross section.

The flue must not be shared with other appliances.

The chimney must be at least 4.5 m (15 ft high).



*Figure 2 - Minimum clearances*

In case of a flat roof or when the roof gradient is lower than 15°, the stack must be 1,2 m (4 feet) high at least.

The capping must not restrain the draught.

If the chimney has any down draught tendency, due to its position in relation to nearby obstacles, then an anti-down draught cowl must be installed on the chimney or the chimney height must be increased.

If the chimney draught is excessive or irregular, a draught stabilizer (barometric damper) must be installed to the connector pipe.

#### **Flue non-existent :**

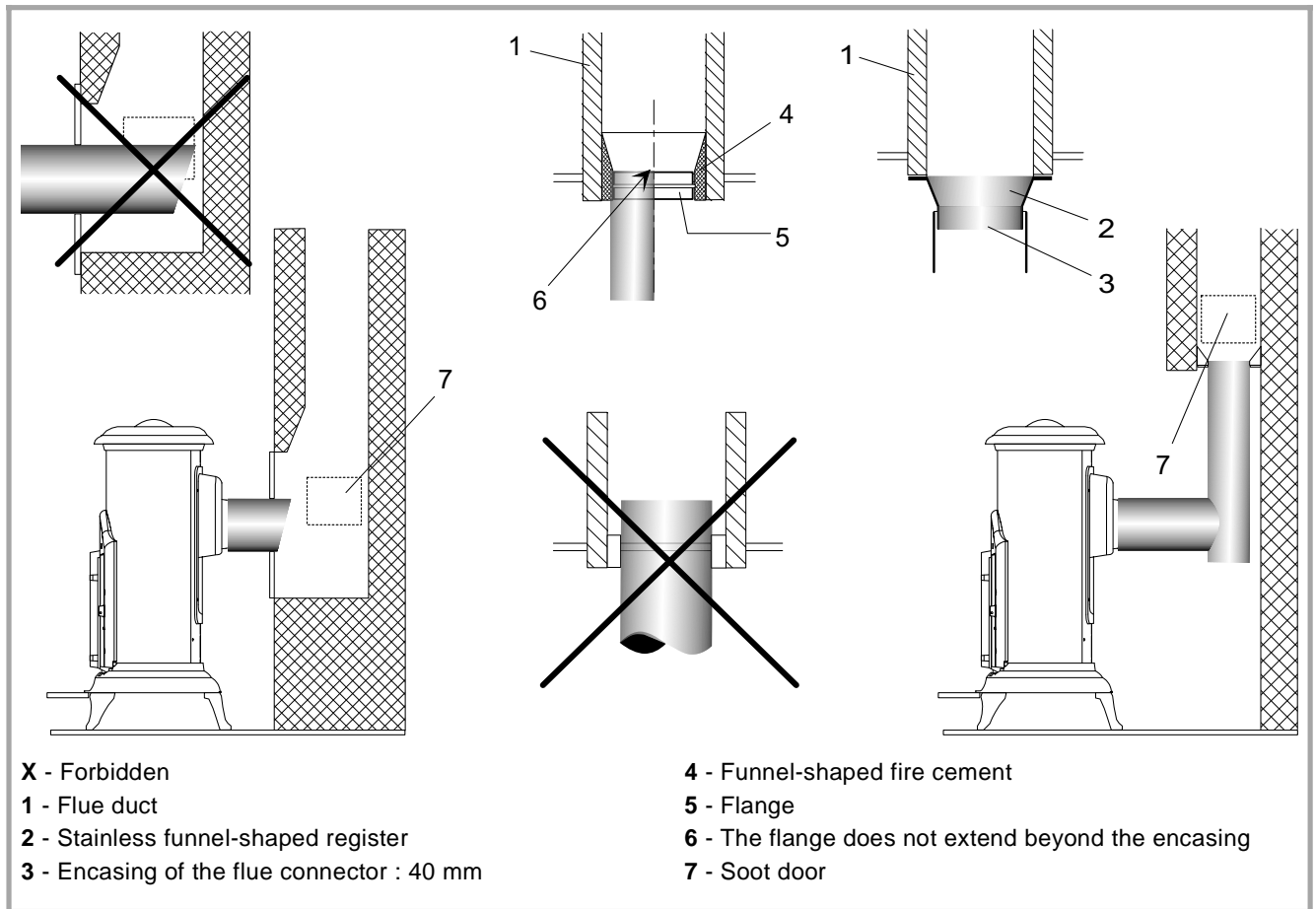
The chimney must comply with Current Building Regulations. If in doubt, consult your Dealer or local Building Inspector.

The flue must not be supported by the stove.

Consult a chimney specialist for advice on suitable flue systems for solid fuel appliances.

It must be distant from any combustible material (walls, cross members)

It must permit an easy sweeping.



*Figure 3 - Connections to flue*

## 2.4. Hearth

The stove must stand on a fireproof hearth and must be situated at least 300 mm (12 inches) from any combustible material.

The positioning of the stove and the size of the hearth are governed by building regulations for Class 1 appliances.

These building regulations state that the hearth must extend in front of the stove by at least 300 mm (12 inches) and to the sides of the stove by at least 150 mm (6 inches) If in doubt as to the positioning of the stove expert advice should be sought either from the supplier or the local building inspector.

## 2.5. Connections to flues

There are several ways of connecting the stove to the flue.

Horizontal lengths of flue must be kept to a minimum and should not be more than 150 mm (6 inches) long.

All flue connections must be well sealed.

## 2.6. Mounting the tray

- Centre on tab and lower into place (fig. 4).

## 2.7. Door closing pressure

### Figure 5

The closing latch rotates around a pressure screw positioned cam.

- Loosen pressure screw **1**.
- Turn cam **2** to desired position.
- Tighten pressure screw **1**.

## 2.8. Pre-utilisation check

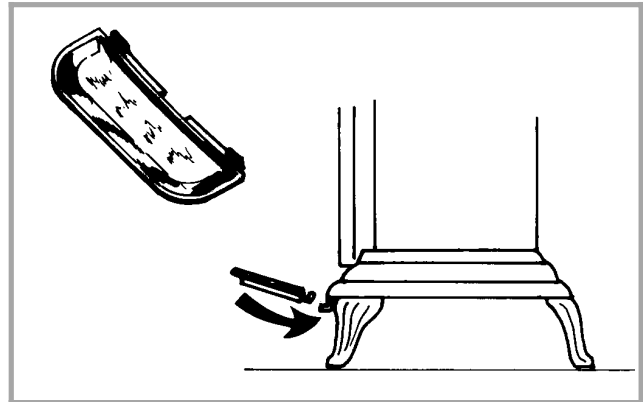
- Check that the glasses are not damaged.
- Check that the smoke passages are not obstructed by packaging or removable parts.
- Check that the seals of the smoke-line are in good condition.
- Check that the doors close correctly.
- Check that all removable parts are correctly installed. (grates, tray, etc.)

## 2.9. Soot Doors

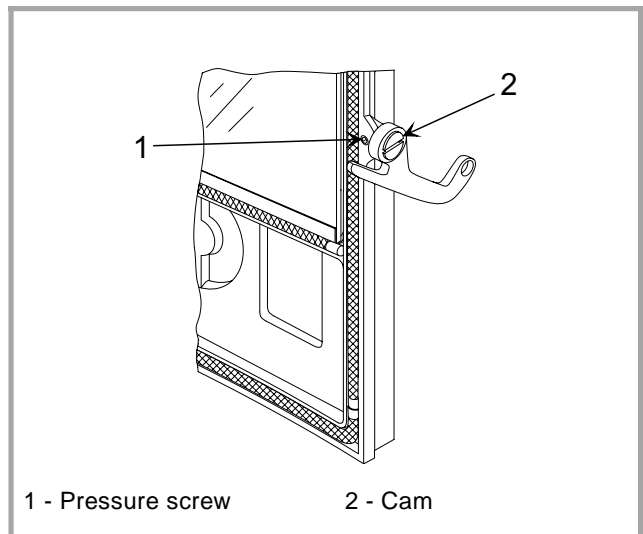
It will be necessary to have a soot door to enable the chimney to be swept. This may either be in the actual brickwork of the chimney or in the register plate. Various type and positions of soot doors are shown in figure 3.

## 2.10. Commissioning

On completion of the installation and after allowing a suitable period of time for the fire cement and mortar to dry out, the stove should be lit and checked to ensure that smoke and fumes are taken from the appliance up the chimney and emitted safely. Also check all joints and seals.



*Figure 4 - Fixing the ash lip tray*



1 - Pressure screw

2 - Cam

*Figure 5 - Door closing pressure*

### 3. Operating instructions

**Don't use the oven in mild weather :** Under certain circumstances (e.g. fog and repeated thaw) the chimney will not draw sufficiently well and thus be at the origin of asphyxia.

Awaiting better weather circumstances, don't use any coal but only wood.

Note : When the fire is lit for the first time, the stove may give off fumes from the new paint. This is normal but ensure the room is well ventilated during the first few hours operation.

Similarly, the window can become cloudy by the evaporation of the water in the refractory bricks.

It is advisable with any new cast iron stove to avoid having too intense a fire in the stove for its first few days of use.

The Parisienne is a quality product which, if used sensibly will give many years of trouble free operation, the following advice is intended to help you enjoy those years without problems.

#### 3.1. Lighting your stove

Your Parisienne stove is designed to be a very efficient heating appliance. Therefore, the majority of the heat created by burning fuel on it is radiated into the room rather than disappearing up the chimney, as is the case with an open fire.

There is a side effect of this gain in efficiency which can be a nuisance to you as the user but can be easily avoided if, when lighting your stove from cold, the chimney is heated up as quickly possible. This will create an up-draught which is required to pull air through the stove which in turn burns the fuel. The easiest way to produce this column of air moving is to open the air inlet wheel on maxi, use paper or fire lighters and small pieces of wood in order to achieve a fast burning fire with little smoke and plenty of flames. This will push heat up the chimney and start the draught working. Now you can put solid fuel on the stove because the increased smoke emission will be drawn up the chimney instead of trying to escape into the room. Remember the seals on your stove are there to prevent air from being drawn into the stove, thus allowing control of the burning rate by adjustment of the air inlet, not to stop smoke escaping into the room. If smoke is escaping into your room then, either your are not operating it correctly or there is a chimney draught problem. This may be cured by sweeping or you may need the advice of a chimney expert.

Note : When refuelling your stove, if it is burning very slowly, the same advice will apply as for lighting from cold.

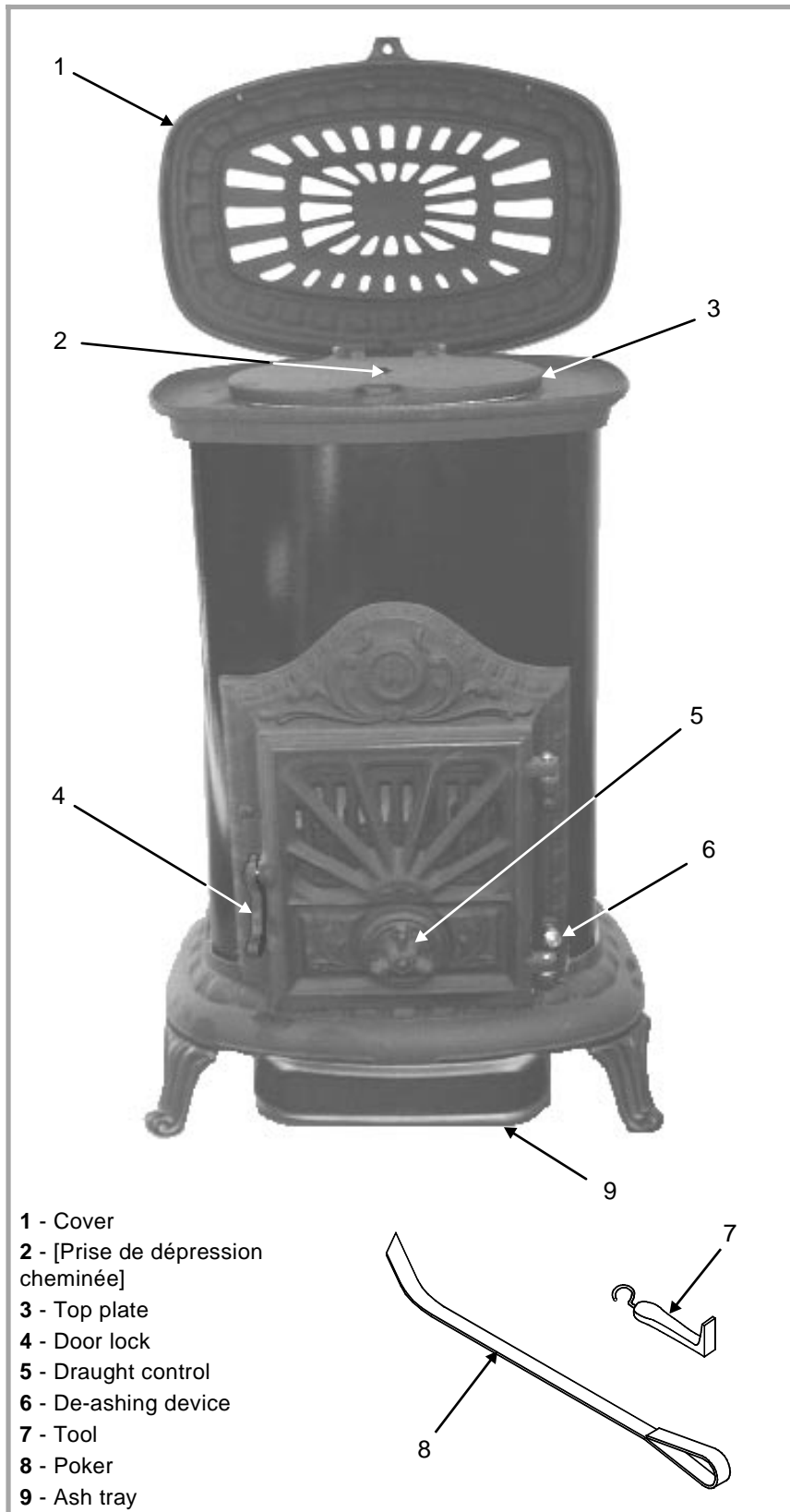


Figure 6 - Operating devices

### 3.2. Air inlets

Primary combustion air enters via the rotating control on the front door of the stove (fig. 7). You will discover by experience how much to open this control, depending on your particular chimney draught and fuel used.

However, as a guide, start with the following :

**Lighting** - Unscrew 12 turns (N) from the fully closed position, (E = 20 mm)

**Normal** - Unscrew 6 turns (N) from the fully closed position, (E = 10 mm)

**Slumbering** - Unscrew 1/2 turn (N) from the fully closed position, (E = 1,2 mm).

**Warning** : On no account should the front Ash Door be left open as this could cause overheating of the stove and damage to the grates.

### 3.3. Fuel

#### • Recommended fuel :

The best fuels for use with the Franco Belge Parisienne are :

Sunbrite (Small) - Anthracite (Medium)

Dry Woo. - Use hard wood logs which have been cut for at least two years and stored under shelter.

Hardwood has a higher calorific value per cu metre (oak, ash, maple, birch, elm, beech, etc.).

#### • Prohibited fuel :

Any form of bituminous coal or petroleum based coke.

"green wood". Green or damp wood reduces stove efficiency and makes the window, the internal walls and the flue dirty (soot, tar, etc.).

"used timbers". Burning treated wood (railway sleepers, telegraph poles, offcuts of plywood or chip board, pallets, etc.) quickly clogs the flue ways (soot, tar, etc.), pollutes the environment (pollution and smell, etc.) and cause the fire to burn too quickly and overheat.

☞ **"Green wood" and "recovered wood" can eventually cause a chimney fire.**

### 3.4. Maintenance

Daily - Shake the grate, - Empty the Ash Pan. Do not allow ash to build up under the grate when burning solid fuel as this will cause overheating and damage to the grate.

Periodically - Clean out the flue ways. Sweep the chimney at least once a year but more frequently if necessary. The frequency of any cleaning depends upon the fuel being used. Remember, gases from combustion are dangerous and blocked flue ways force those gases into your room, so do be particular when cleaning the flue ways.

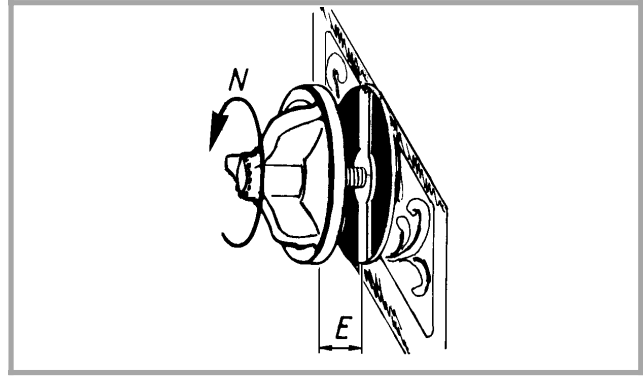


Figure 7 - Air control

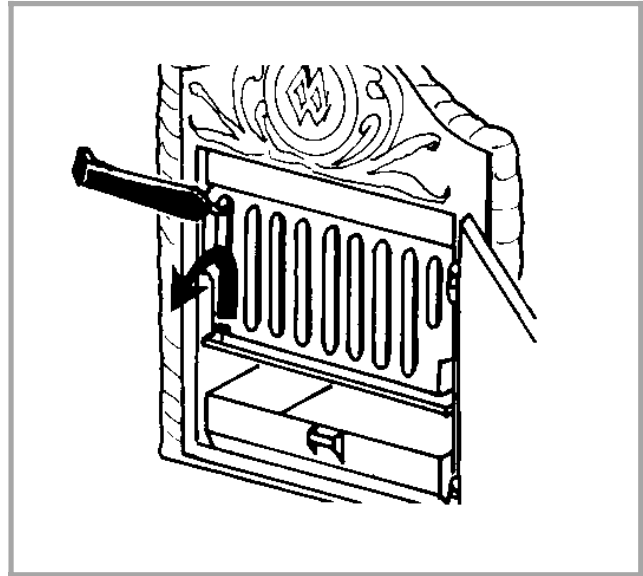


Figure 8 - Front grate

Check the rope seals now and again and replace if necessary.

Never use water to clean the stove or glass.

Never burn plastic, rubber, waste etc. This causes pollution of the stove, chimney and environment.

Note : The appearance of cracks when burning the enamelled units is quite usual and tends to disappear when the appliance is cooling down. It should not be considered as a defect but rather as a patina of the enamel which does not affect its quality nor its service ability.

This crackling is more apparent with the blue enamel than with the brown and green.

### 3.5. Fire-bricks

When fire-bricks are replaced, one should respect 48 hours drying before operating the oven.



### 3.6. Trouble Shooting



: This sign means that you should asked for a qualified engineer to do the work.

<i>Problem</i>	<b>Probable causes</b>	- Action
<i>Fire difficult to start Fire goes out</i>	<b>Wood green, too damp or poor quality fuel</b>	- Use the recommended fuel
	<b>Logs are too big</b>	- To light the fire, use small, very dry twigs. To maintain the fire, use split logs
	<b>Air starvation</b>	- Open lower spin wheel and top air control lever
	<b>Insufficient draught</b> <input checked="" type="checkbox"/>	- Check that the flue is not obstructed, sweep it if necessary - Seek advice from a chimney specialist
<i>Fire burns too quickly</i>	<b>Too much draught</b>	- Ensure that the lower spin wheel is closed - Partially close the top air control lever
	<b>Excessive draw</b> <input checked="" type="checkbox"/>	- Install a draught stabiliser. Consult your Dealer
	<b>Poor quality wood</b>	- Do not continuously burn small wood, sticks, bundles, carpentry offcuts (plywood, pallets), etc.
<i>Smokes when lighting up</i>	<b>Flue duct is cold</b>	- Burn paper and kindling wood to increase heat
	<b>Room is in decompression</b>	- In houses equipped with mechanical ventilation, partly open a window until the fire is well established
<i>Smokes while burning</i>	<b>Draught is insufficient</b> <input checked="" type="checkbox"/>	- Consult a chimney specialist. - Check that the flue is not obstructed, sweep if necessary
	<b>Down draught</b>	- Install an anti-down draught cowl. Consult your Dealer.
	<b>Room is in decompression</b> <input checked="" type="checkbox"/>	- In houses equipped with CMV, an outside air intake must be installed for the chimney
<i>Low heat output</i>	<b>Incorrect Fuels</b>	- Use the recommended fuel

## 4. Spare parts

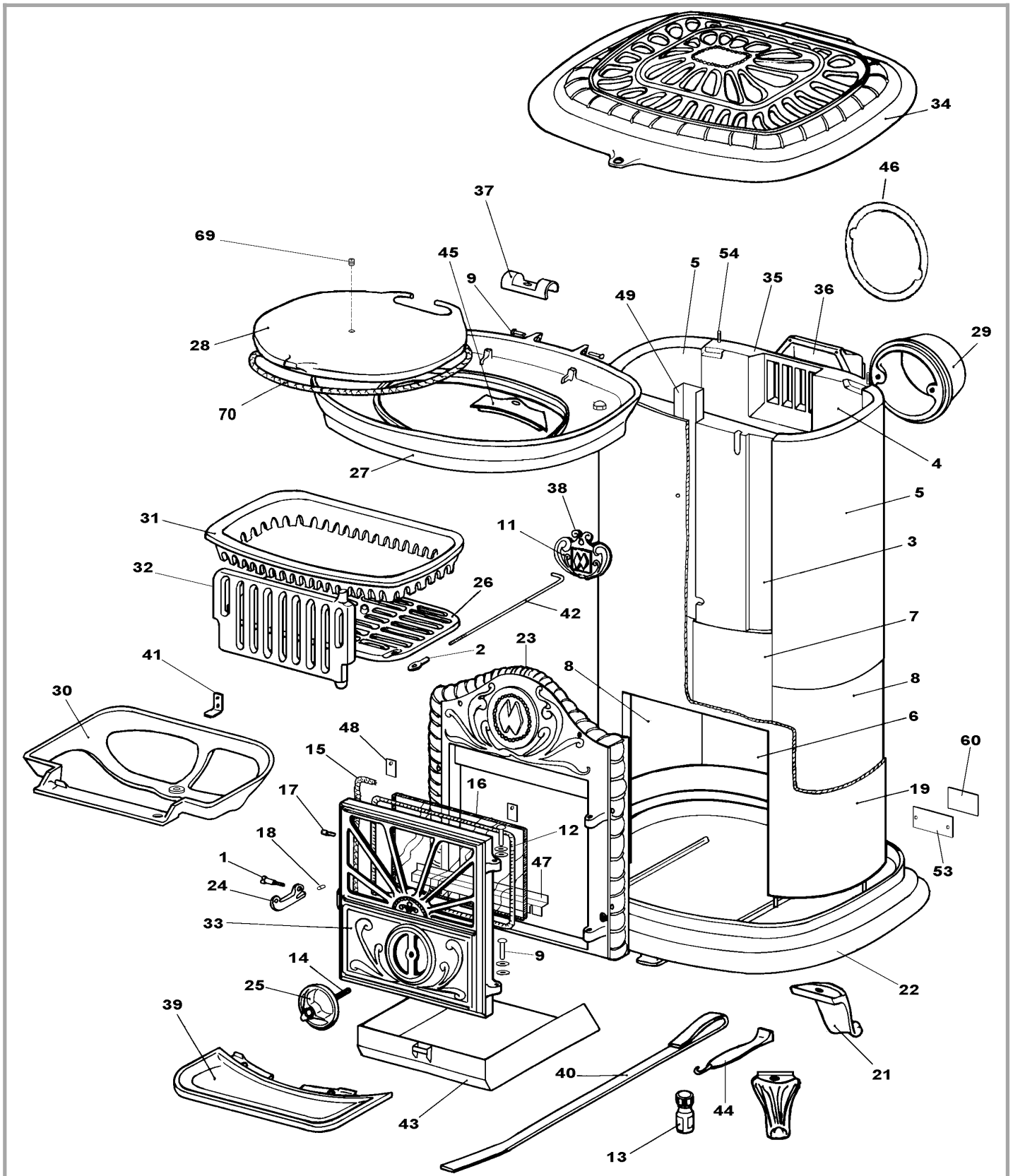
For any order of spare parts, please indicate : model number, code of the colour, description of the part, code number and colour index of the part.

**A** = 124 03 01 L    **B** = 124 03 01 J    **C** = 124 03 01 Y  
**D** = 124 05 01 L    **E** = 124 05 01 J    **F** = 124 05 01 Y  
**G** = 124 07 01 L    **H** = 124 07 01 J    **I** = 124 07 01 Y

*Example* : Stove Continental **124 03 01 L**,  
 Leg, **300120 77**

N°	Code	Description	Type	A	B	C	D	E	F	G	H	I	Qty
1	100917	Cam pin	12x20 M7	A	B	C	D	E	F	G	H	I	01
2	105123	Knob		A	B	C	D	E	F	G	H	I	01
3	105226	Firebrick					D	E	F	G	H	I	01
3	105235	Firebrick		A	B	C							01
4	105227	Firebrick					D	E	F	G	H	I	01
4	105236	Firebrick		A	B	C							01
5	105228	Firebrick					D	E	F	G	H	I	02
5	105237	Firebrick		A	B	C							02
6	105229	Firebrick								G	H	I	01
7	105230	Firebrick								G	H	I	01
8	105231	Firebrick								G	H	I	02
9	110404	Hinge pin	6x30	A	B	C	D	E	F	G	H	I	04
11	122809	Name plate								G	H	I	01
12	142301	Adhesive rope		A	B	C	D	E	F	G	H	I	0,76 m
13	161025	Touch-up paint	(L)	A			D			G			01
13	161027	Touch-up paint	(J)		B			E			H		01
14	179919	Thread rod	10x50	A	B	C	D	E	F	G	H	I	01
15	181602	Ceramic rope	Ø 8	A	B	C	D	E	F	G	H	I	1,04 m
16	188733	Ceramic glass	220x155x3	A	B	C	D	E	F	G	H	I	01
17	189104	Screw	6x22	A	B	C	D	E	F	G	H	I	01
18	189825	Screw	M 6x5	A	B	C	D	E	F	G	H	I	01
19	217105	21 Shell					D	E	F				01
19	217106	21 Shell								G	H	I	01
19	217107	21 Shell		A	B	C							01
21	300120	EF Leg				C			F			I	03
21	300120	77 Leg		A			D			G			03
21	300120	79 Leg			B			E			H		03
22	300459	EF Base				C			F			I	01
22	300459	77 Base		A			D			G			01
22	300459	79 Base			B			E			H		01
23	301032	EF Frame				C			F			I	01
23	301032	77 Frame		A			D			G			01
23	301032	79 Frame			B			E			H		01
24	301511	EF Door lock				C			F			I	01
24	301511	77 Door lock		A			D			G			01
24	301511	79 Door lock			B			E			H		01
25	301740	EF Air damper				C			F			I	01
25	301740	77 Air damper		A			D			G			01
25	301740	79 Air damper			B			E			H		01
26	301921	Oscillating grate		A	B	C	D	E	F	G	H	I	01
27	302145	59 Top plate		A	B	C	D	E	F	G	H	I	01
28	303618	59 Top plate		A	B	C	D	E	F	G	H	I	01
29	303829	59 Flue collar		A	B	C	D	E	F	G	H	I	01
30	306112	Grate support		A	B	C	D	E	F	G	H	I	01
31	306716	Grate		A	B	C	D	E	F	G	H	I	01
32	307420	Fuel retainer		A	B	C	D	E	F	G	H	I	01
33	309940	EF Main door				C			F			I	01
33	988757	Complete door	(Y)			C			F			I	01
33	309940	77 Main door		A			D			G			01
33	988756	Complete door	(L)	A			D			G			01
33	309940	79 Main door			B			E			H		01
33	988784	Complete door	(J)		B			E			H		01
34	313509	EF Cover				C			F			I	01
34	313509	77 Cover		A			D			G			01
34	313509	79 Cover			B			E			H		01
35	314710	59 Exchanger base		A	B	C	D	E	F	G	H	I	01
36	314818	59 Exchanger cover		A	B	C	D	E	F	G	H	I	01
37	320409	Bearing		A	B	C	D	E	F	G	H	I	01
38	322312	EF Coat of arms										I	01
38	322312	77 Coat of arms								G			01
38	322312	79 Coat of arms									H		01
39	327900	EF Ash-tray				C			F			I	01
39	327900	77 Ash-tray		A			D			G			01
39	327900	79 Ash-tray			B			E			H		01
40	415504	60 Poker		A	B	C	D	E	F	G	H	I	01
41	454720	Grate support		A	B	C	D	E	F	G	H	I	01
42	458403	Rod		A	B	C	D	E	F	G	H	I	01
43	624032	Ash-pan		A	B	C	D	E	F	G	H	I	01

44	808001	ED	Hand tool	A	B	C	D	E	F	G	H	I	01
45	328001		Protection plate	A	B	C	D	E	F	G	H	I	01
46	237405		Reducing plate	A	B	C							01
47	228615		Square	A	B	C	D	E	F	G	H	I	01
48	259015		Fixing plate	A	B	C	D	E	F	G	H	I	02
49	216116		Circulation duct				D	E	F				01
49	216117		Circulation duct							G	H	I	01
53	276001		Plate	A	B	C	D	E	F	G	H	I	01
54	979900		Fixing plate	A	B	C	D	E	F	G	H	I	07
60	162042		Descriptive plate	A	B	C							01
60	162043		Descriptive plate				D	E	F				01
60	162044		Descriptive plate							G	H	I	01
70	181613		Rope	A	B	C	D	E	F	G	H	I	0,9m





# FRANCO BELGE



## Warranty certificate

### Legal warranty

Our products are guaranteed for twelve months against any defect, flaw or imperfection. During this time, all parts judged defective by our Warranty control department may be replaced in our workshops. Incidental costs of transportation and packing payable by the buyer.

Some parts or components have a longer warranty period :

- Cast-iron shell of boiler : 3 years
- Steel shell of boiler : 3 years
- Removable or independent stainless steel hot water cylinder : 5 years
- Independent enamelled steel hot water cylinder : 3 years
- Incorporated circulating pump : 2 years.

### Terms of the warranty

This warranty is only valid if :

- The unit has been installed and checked by a professional installer before operating,
- All installation and adjustment instructions listed in the

technical manual supplied with the unit have been followed,  
- All operation and maintenance instructions have been followed.

### This warranty does not cover :

- Lamps, fuses, spark plugs, cast iron parts directly in contact with burning coal and wood, firebricks, flue baffles, glasses .
- Any damage resulting from the use of fuel not recommended in our instructions ;
- Parts which are damaged by external causes such as unadapted chimneys, thunderstorms, damp, faulty pressure or fail in pressure, thermic anomalies, explosions, etc...
- Electrical parts which are deteriorated by any connection or use on a supply circuit with voltage within 10% of the indicted voltage (230 V in EU).

Material subject to modifications without prior notice. This manual does not engage the responsibility of FRANCO BELGE.

☒ Name and address of the installer : \_\_\_\_\_

\_\_\_\_\_

☎ Telephone : \_\_\_\_\_

☒ Name and address of the customer : \_\_\_\_\_

\_\_\_\_\_

Date of installation : \_\_\_\_ / \_\_\_\_ / \_\_\_\_

Model of the appliance :  124 03 01     124 05 01     124 07 01

Color :  L     J     Y

Serial number : \_\_\_\_\_

• This certificate has to be completed and kept carefully.

In case of claims, send a copy of this to :

**Les Fonderies Franco-Belges, rue Orphée Variscotte, 59660 MERVILLE, FRANCE.**