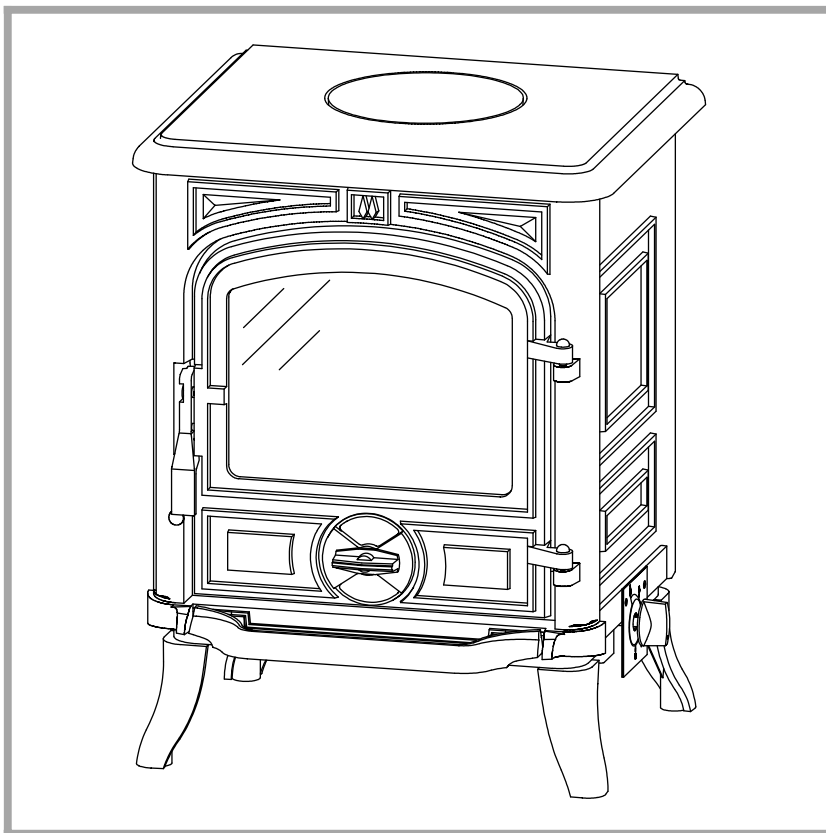

Belfort

Gas stove - EN 613.

Model : 154 05 12
Propane (type G31)
Category I 3P.



Description of the appliance

Installation instructions

Operating instructions

Spare parts

Warranty certificate

Document n° 1044-2 ~ 17/05/2001

Français

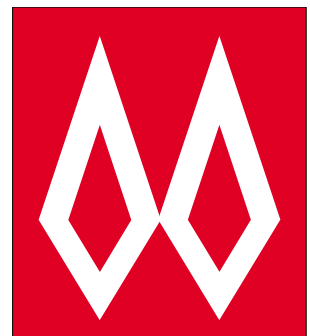
English

Technical manual

to be saved

by the user

for future reference



FRANCO BELGE

Les Fonderies Franco-Belges
59660 MERVILLE
Phone : 03.28.43.43.43
Fax : 03.28.43.43.99
RC Hazebrouck 445750565B
Subject to modifications

FRANCO BELGE congratulates you on your choice.
 FRANCO BELGE, which has been granted the ISO 9001 certification, guarantees the
 quality of its appliances and is committed to meet its customers' needs.
 FRANCO BELGE, which can boast a 75-year experience in the industry of heating devices,
 uses state-of-the-art technologies
 to design and manufacture its whole range of products.
 This document contains instructions on how to install your appliance and and make full
 use of its functions, both for your comfort and safety.

CONTENTS	Page	Page
Product information		3
Package	3	Description 3
General characteristics	3	Principle of operation 3
Installation instructions		4
Siting the appliance	4	Connecting the gas supply 5
Clearance requirements	4	Pressure testing 5
Hearth	4	Coals layout 6
Flue connection	5	Test for spillage 7
Smoke exit on the top	5	Service section 7
Smoke exit at rear	5	Troubleshooting chart 7
Ventilation (G.B. Only)	5	Servicing instructions 7
User instructions		8
Important Notes	8	Extinguishing the stove fully 9
Data information	8	Safety mechanisms 9
Arranging the layout of the coals.	8	Flame supervision device 9
Operating the stove	8	Thermostatic switch (ttb) 9
Igniting the permanent pilot light	8	Ignition mechanism 9
Running the stove at low setting	8	Cleaning 9
Extinguishing the stove back to permanent pilot setting	8	Servicing 9
List of components		10

WARNING

The appliance must be installed in compliance with Current Building Regulations. Incorrectly installed, this appliance can be dangerous and possibly cause serious accidents. The manufacturer's responsibility shall be limited to the supply of the equipment.

1. Product information

1.1. Package

1 package : Stove complete. The ceramic coals are supplied inside the combustion chamber.

1.2. General characteristics

Model	154 05 12
GAS	Propane
Type / category	G31 / I3P
Gross calorific value (heat input) kW	4,2
Nominal output kW	2,75
Supply pressure mbar	37
Burner pressure mbar	5,5
Gas rate m ³ /h	0,16
Injector size bray	18/120
T.T.B. Cut off temperature °C	100
Reset temperature °C	85

1.3. Description

The Belfort stove has been individually designed to add traditional charm and character to your home. Providing a highly efficient heat source, the Belfort has the look and charm of a 'real' stove coupled with the convenience of clean burning gas.

The stove is designed to run LPG gas. It is important to note that once a type of gas has been specified the stove cannot run off any other type. The type of gas which your stove is capable of burning is stated on the data information panel (See Paragraph 3).

1.4. Principle of operation

THERMOSTATIC SWITCH (TTB) : The TTB is a normally closed bi-metallic switch which is designed to open at a pre-set temperature (90°C) and reset to the closed position when the temperature falls to a reset level (normally 15°C below the operating temperature). The system is not adjustable, and should not be rendered inoperative.

If parts of the system require replacement only original parts must be used.

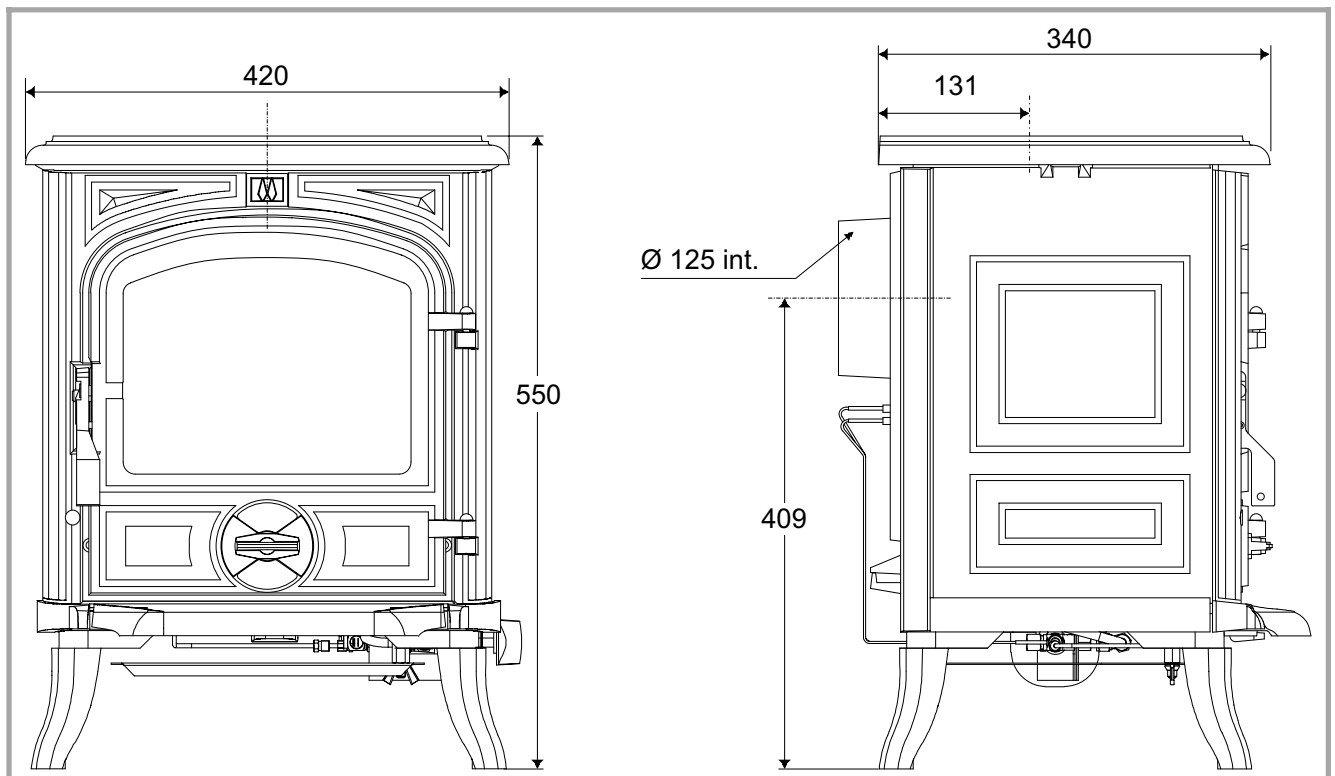


Figure 1 - Dimensions in mm

2. Installation instructions

- These instructions have been compiled in accordance with EN 613 1995.
 - It is required by law that any appliance using natural or LPG gas is installed by a competent person (e.g. CORGI registered), in conjunction with the these instructions and the requirements as laid down in the following Regulations and British Standards :
 - The Gas safety (Installation and Use) Regulations 1994.
 - The Building Regulations (issued by the department of the Environment).
 - The Building Standards (Scotland) (Consolidation) Regulations.
- APPLIANCE TO BE INSTALLED ACCORDING TO NATIONAL REGULATIONS.
- The Belfort is a gas stove designed to run LPG.
 - The stove is a radiant convector fuel effect stove. The Belfort can be placed directly inside any fireplace opening of the dimensions noted within the installation instructions.
 - Ensure that the stove corresponds to the type of gas it is to be used with. This can be confirmed by checking the data badge located on the rear face of the appliance.

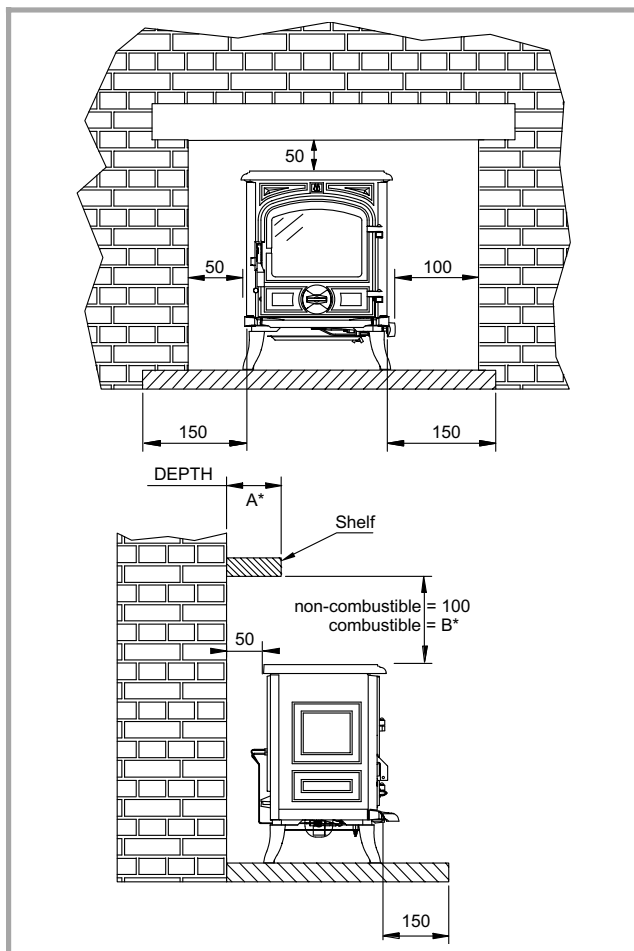


Figure 2

Minimum clearances to non-combustible materials, hearth and shelf (in mm)

- Prior to installation it is essential that the chimney should be swept and its condition and suitability for use with the appliance checked.
- All surfaces except the control knob are considered to be working surfaces.

2.1. Siting the appliance

The gas supply connection to the appliance is at the rear right hand side. The connection requires 8 mm diameter semi-rigid pipe, not more than 1 metre in length.

The appliance can be installed in any adequate area suitable for solid fuel fires and stoves.

The flue pipe required is either a single or double walled pipe of 126 mm diameter.

2.1.1. Clearance requirements

If the appliance has to be located in an opening, there must be a clearance of at least 50 mm at the left hand of the appliance, 50 mm at the back of the appliance and 50 mm above from any non-combustible materials (as shown in figure 2).

This distance must be extended to a minimum clearance of 80 mm from any combustible materials.

There should ideally be a minimum gap of 150 mm at the right hand side of the stove (this will ensure the best possible access to the control knob). This measurement may be reduced to a minimum gap of 100 mm if needed however extra care should be taken when operating the control knob when the appliance is hot.

A combustible shelf may be fitted over the appliance, provided that in the case of a 150 mm or less deep shelf, there is at least 250 mm clearance above the top of the stove. The shelf depth may increase at the same rate as the increase in clearance ; i.e. a shelf depth of 200 mm would require a clearance of 300 mm.

A	B
100	250
150	250
200	300
250	350
300	400

2.1.2. Hearth

The stove must stand on a fire proof hearth.

To comply with the Building Regulations issued by the Department of the Environment, the following points should be noted when choosing a hearth :

- The hearth must be made of non combustible material of thickness 12 mm minimum.
- The hearth must protrude at least 150 mm in front of the stove and 150 mm each side.

- The hearth must not be capable of inadvertent covering by a carpet or rug. This should be achieved by either :
 - the hearth being 50 mm above the level of the room floor.
 - a fender or kerb around the edge of the hearth to a height of at least 50 mm above the floor.

2.2. Flue connection

The Belfort is suitable for both Class 1 and 2 flues (the building Regulations 1984).

The appliance is also suitable for pre-cast flues, pre-cast chimney block, pre-cast flue block and ridge tile vent.

It is the responsibility of the installer to ensure that the flue to be connected is suitable for the conditions experienced when burning LPG gas.

Ideally it is recommended that a minimum height of 610 mm from the stove should be established before any significant change in the direction of the flue. Horizontal or negative gradients in the flue pipe should be avoided.

It is recommended that the flue has a minimum height of 3 metres. Prior to installation the installer should ensure that the flue is free from obstruction and ideally a chimney should be swept and subsequently smoke tested. Ensure that any dampers are fixed in a permanently open position, and that the chimney/flue is, in the professional opinion of the installer, of an overall suitability for the purpose intended.

The stove is supplied with a connection flue spigot with an inner diameter of 125 mm or an outer diameter of 139 mm.

2.2.1. Smoke exit on the top

Figure 3

- Remove the top plate, first remove the 2 screws on the sides of the appliance.
- Fit the sealing rope in the groove and attach the flue spigot using the three bolts and washers supplied.
- Check that the two blanking plates are fixed to the back wall.
- Refit the top plate, ensuring there is a good seal.

2.2.2. Smoke exit at rear

Figure 4

- Remove the top plate, first remove the 2 screws on the sides of the appliance.
- Remove the two blanking plates fixed at the back, fix the sealing rope in the groove on the top and fit the two blanking plates on the top, ensuring there is a good seal.
- Fix the sealing rope in the groove on the rear and fit the flue spigot, using the three bolts and washers supplied, ensuring there is a good seal.

2.3. Ventilation (G.B. Only)

The Belfort has no requirement for additional ventilation in the room in accordance with BS 5871 part II.

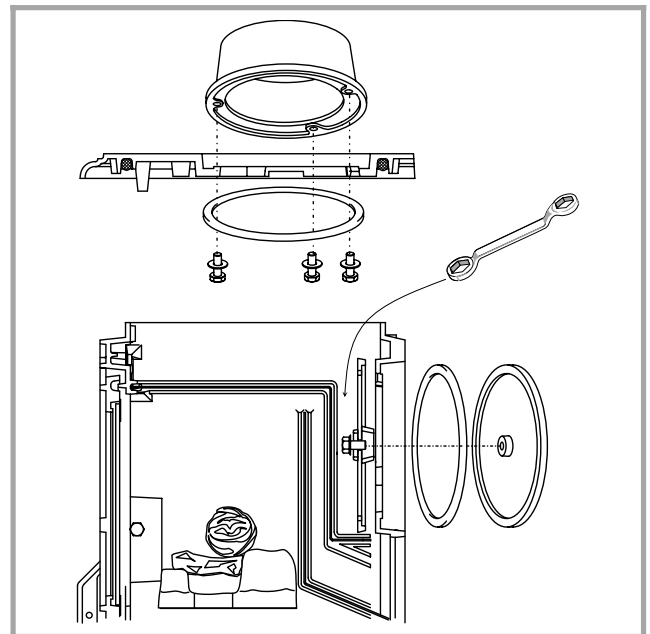


Figure 3 - Smoke exit on the top

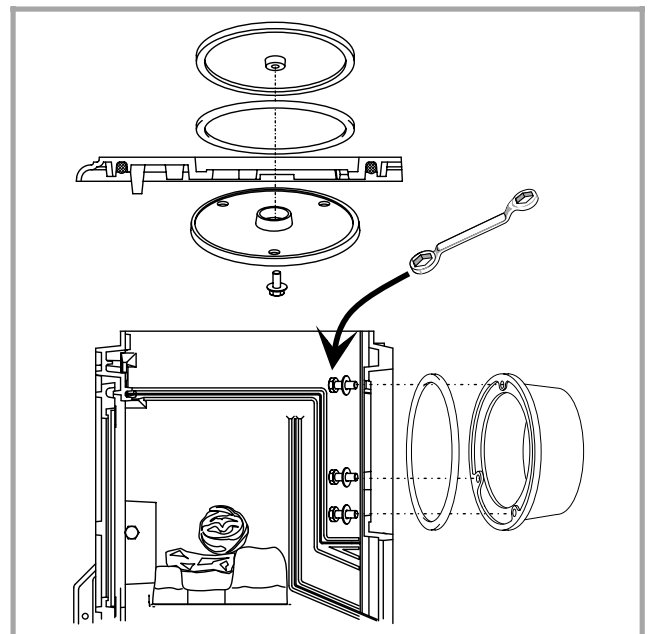


Figure 4 - Smoke exit at the rear

2.4. Connecting the gas supply

The 8 mm diameter semi rigid gas inlet pipe should be connected to the inlet of the gas valve using the nut and 8 mm olive supplied. Support the control whilst finally tightening the supply pipe. The gas supply to the fire should be terminated near the fireplace with a safety type service tap.

2.5. Pressure testing

The gas pressure to the stove must be measured at the burner test nipple.

For **Propane** this is **35.5** mbar measured with the appliance in the full rate position.

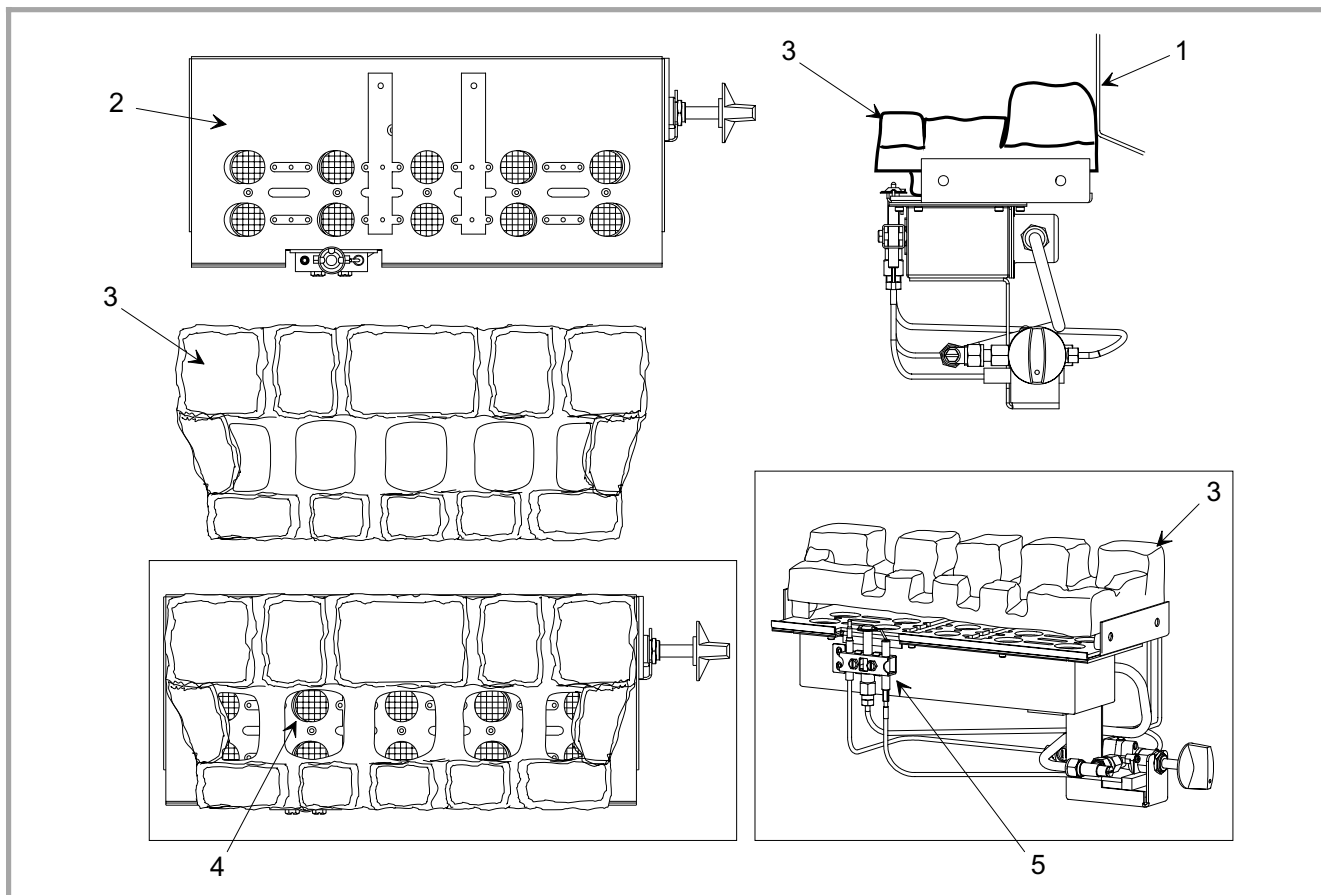


Figure 5 - Fitting the ceramic matrix

- 1 - Back wall of the combustion chamber
- 2 - Burner
- 3 - Matrix

- 4 - Burner holes
- 5 - Pilot

2.6. Coals layout

Only the ceramic coals supplied with this appliance are to be used. The coals should only be laid as shown on this page. Replacement coals and ceramic are available from your dealer, but should be installed by a competent person (e.g. Corgi registered).

Please ensure that when fitting the matrix and coals, that you **DO NOT OBSTRUCT THE PILOT**

FRANCO BELGE accept no responsibility for any injury sustained whilst handling hot ceramics.

Instructions for the layout of the prefixed ceramic matrix and loose coals for Belfort fitted with gas burner unit.

Parts : 1 Ceramic mat, 9 Ceramic coals.

Figure 5

- Place the ceramic matrix (rep. 3) above the ceramic mat, on the supports, onto the top of the burner body.

Figure 6

- Place 4 coals on top of the matrix (A) as shown in (B).
- Place the remaining 5 coals as shown in (C).

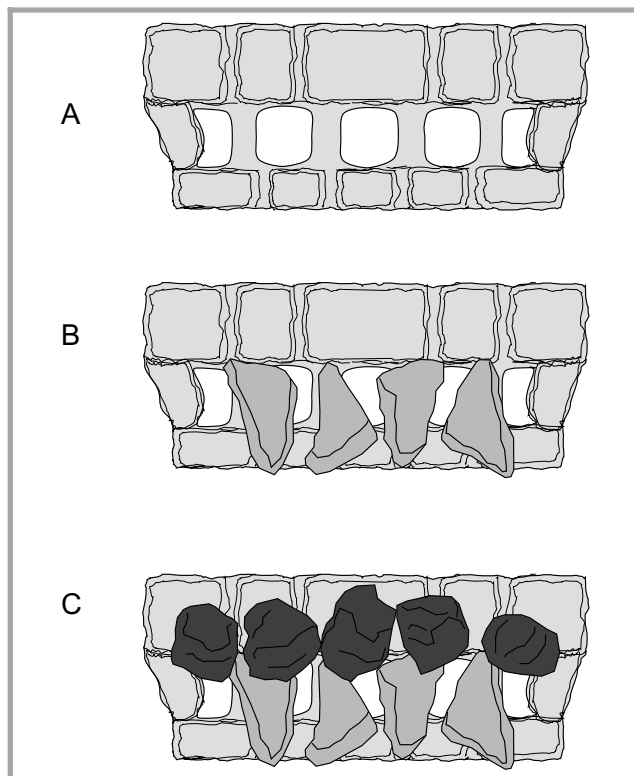


Figure 6 - Fitting the medium ceramic coals and the upper ones

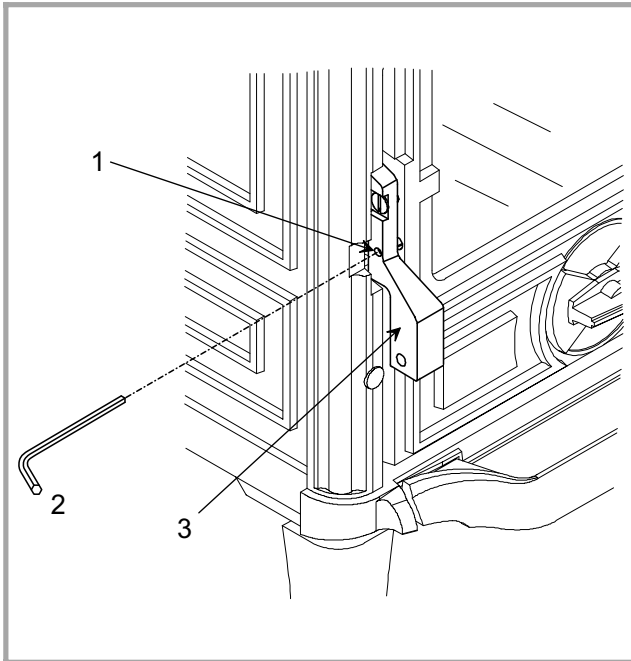


Figure 7 - Door lock

- 1 : Safety screw 3 : Lock
 2 : Male spanner
 2,5 (6 face)

2.7. Test for spillage

A spillage test must be performed before the installed fire is left with the customer.

- Carry out the test first by closing all doors and windows in the room containing the fire.
- Ensure that the stove has been burning at full rate for a minimum of 5 minutes.
- Using a smoke match run along the top edge of the draught diverter.
- If most of the smoke is not drawn into the draught diverter leave for a further 10 minutes and repeat the test. If the same results are achieved then the appliance has passed the spillage test.
- If there is a fan in a nearby room the spillage test must be repeated with the fan running and all connecting doors between the fire and fan left open.
- If there are still problems the chimney may require attention.

2.8. Service section

2.8.1. Troubleshooting chart

Piezo-electric igniter : *The spark between the electrode and the head of the pilot light is not clean ; there is no spark when the lighter is operated.*

- Check the contact of the high tension cable of the spark plug. When the end of the cable is held at about 3 mm from the end of the spark plug, a spark should be produced when the piezo-electric igniter is operated.
- Check that the insulation of the spark plug is not cracked, and replace the spark plug if necessary.

The thermocouple : *When the unit is started up, the pilot light flame goes out when the handle is turned from the "ignite" position to the "pilot light" position.*

• **The thermocouple is not at a high enough temperature, the pilot light flame is too short.**

- Check that the injector (rep. 10, fig. 9, p. 10) is not partially blocked.

To gain access to the injector, the coals and the burner must first be dismantled (3 screws).

• **Bad contact at the connection of the thermocouple to the valve.**

- Check the tightness of the screw. It should be reasonably tight.

• **Carbon deposit on the end of the thermocouple, which reduces temperature transmission.**

- Clean the end of the thermocouple with emery paper.

2.8.2. Servicing instructions

These instructions are meant to be used in conjunction with the normal servicing practices which an installer would normally use.

- Open the stove door by releasing the door latch.
- Remove the coals carefully and replace any which are damaged or broken.
- Clean any deposition of lint off the burner. This can be done with a vacuum cleaner.
- Inspect the burner unit.
- Relay the fire in line with the instructions "arranging the layout of the coals".
- There should be no need to service the burner. If however this is required, a CORGI registered fitter should check the setting pressure at the nozzle on the gas inlet of the burner. The correct pressure required is stated on the data information plate.

Please explain to the customer the lighting and extinguishing procedures.

3. User instructions

It is very important to read these instructions thoroughly before lighting the stove

3.1. Important Notes

- Ensure that the stove corresponds to the type of gas it is to be used with. This can be confirmed by checking the data badge located on the rear face of the appliance.
- Remember at all times this product is concerned with high temperatures, and appropriate care should always be taken.
- Bear in mind that heat given off by the appliance may affect articles placed close to it. Curtains should not be positioned above the appliance at a distance less than 12" (30 centimetres) from the top
- The appliance was not designed to be used as a dryer. It is therefore not recommended that the appliance is used in such a manner.
- Under no circumstances should the appliance be operated with the door open or the door glass damaged.
- A combustible shelf may be fitted over the appliance provided that in the case of a 150 mm or less deep shelf, there is at least 610 mm clearance above the top of the fire (measured from its highest point).
- Please remember that parts of the appliance become hot during and after use. If young children, the elderly, or infirm are likely to be near the stove, ensure a suitable fire guard (BS6539 or BS6778) is erected.
- Whilst the appliance is called a 'stove' the Belfort is not designed to be used in any way as a cooker. **The stove should not be used for any other purpose than as a room heater and decorative stove.**

3.2. Data information

The data badge is located on the rear face of the appliance.

3.3. Arranging the layout of the coals.

The coals should be arranged as shown on the coal layout given in the installer instructions.

DO NOT OBSTRUCT THE PILOT

FRANCO BELGE accept no responsibility for any injury sustained whilst handling hot ceramics.

3.4. Operating the stove

The Belfort gas stove operates with a traditional permanent pilot light.

The knob for ignition and power control is located on the lower right hand side of the stove (fig. 8).

The pilot light is located at the front middle of the coal matrix.

If the Flame Supervision Device Actuating Flame (the Pilot Light) is extinguished either by intention or not, no

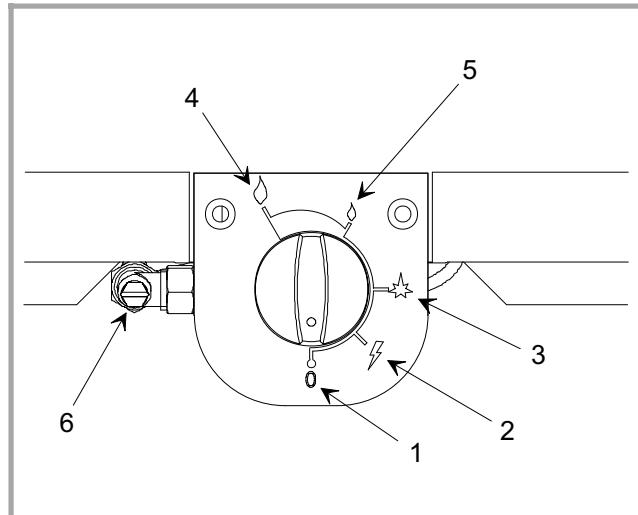


Figure 8 - Control knob and burner test nipple

- 1 : Stop position
- 2 : Ignition device
- 3 : Pilot setting
- 4 : High setting
- 5 : Low setting
- 6 : Burner test nipple

attempt should be made to re-light until **3 minutes have elapsed.**

3.4.1. Igniting the permanent pilot light

- Depress control knob fully
 - Whilst depressed, turn knob sharply 90 degrees anticlockwise to 'PILOT' setting. Repeat until pilot light is visibly lit
- KEEP KNOB DEPRESSED AT THIS POINT FOR 15 - 20 SECONDS.
- Upon releasing the knob, the permanent pilot light will be lit.

Important : Immediately after lighting, the stove must be left on maximum setting for five minutes in order to warm up the chimney.

3.4.2. Running the stove

- Ignite permanent pilot as shown above
- With control knob at 'PILOT' setting, depress and turn in an anti clockwise direction between the 'LOW' setting and the high setting.
- Release the knob. The stove is now burning at its desired operating output.

Important : Immediately after lighting, the stove must be left on maximum setting for five minutes in order to warm up the chimney.

3.4.3. Extinguishing the stove back to permanent pilot setting

- From any heat setting, depress control knob fully and turn clockwise to 'PILOT' position.
- Release.

3.4.4. Extinguishing the stove fully

From any heat setting or the permanent pilot, depress control knob fully and turn clockwise to 'OFF' position.

3.5. Safety mechanisms

The Belfort in both natural gas and LPG, incorporates a number of safety mechanisms.

3.5.1. Flame supervision device

Since 1st January 1996, under the new European standard EN5613, all stoves are required to have a 'Flame Supervision Device' (FSD). If the pilot should become accidentally extinguished, there exists a potential for a build up of unburned gas. In this situation the FSD will automatically cut off the gas supply to the pilot and main burner.

The FSD device works on a thermocouple basis. Next to the pilot flame on the appliance is a small sensor containing the thermocouple. This sensor responds to heat and is linked directly to the gas inlet supply on the appliance. When lighting the stove, there is a need to keep the control knob depressed for about 15 - 20 seconds. This allows the thermocouple to reach its operating temperature. The device will not allow any gas to enter the burner until the pilot flame has heated the sensor up to this operating temperature.

If the pilot is extinguished the gas supply will be automatically cut.

3.5.2. Thermostatic switch (ttb)

The appliance is fitted with a thermostatic switch (TTB) which senses any excess temperature due to a flue blockage. In the event of a partial or total blockage the gas supply will be automatically cut. Should this occur turn the control knob to the off position and wait approximately 10 minutes for the switch to automatically reset.

Re-light the stove in accordance with section 5 'Operating the stove'.

On repeated operation of the thermostatic switch the stove should be turned off and under no circumstances re-lit until specialist advice has been obtained from your dealer.

3.5.3. Ignition mechanism

Many gas stoves have electric ignition which requires mains (240V) supply. This can create problems both with the presence of water or absence of mains supply. The Belfort has a Piezo ignition which requires no external power source. The piezo works on the same principle as a cigarette lighter, providing a spark when required.

3.6. Cleaning

Ensure that the stove is turned off before cleaning and do not attempt to clean if the unit is still hot.

The coals within the appliance are manufactured from high quality ceramic fibre and should only **be arranged as shown in the coal layout diagram.**

After continued use there may be a build up of soot on the coals which will require removal. Any form of deposits will reduce the performance of the appliance and should be removed using a soft brush. Cleaning should be undertaken with a soft brush or alternatively with a vacuum cleaner; care should of course be taken to ensure the aperture of the vacuum is smaller than the smaller coal size.

Care should also be taken to ensure deposits from the chimney do not fall into the appliance. If this does occur then cleaning should be undertaken promptly and the cause investigated before further use.

The Belfort Stove is supplied with ceramic coals, which are to be arranged by the fitter in strict accordance with the installation instructions. There should be no need for the purchaser to alter the layout of the coals and it is recommended that such a practice should be avoided if at all possible.

Should however any coals become broken during the cleaning process it is essential that replacements are purchased, as there is an optimum number of coals for a satisfactory functioning of the stove and the flame picture.

To clean the appliance open the door by releasing the door latch (rep. 1, fig. 7, p. 7). **The door should be shut correctly before use of the appliance.**

3.7. Servicing

It is essential that the appliance is regularly serviced and maintained by a qualified person, and the chimney or flue system checked annually.

If the appliance is heavily used is advisable to undertake more regular servicing, however under normal circumstances annual servicing should be sufficient.

4. List of components

When ordering spare parts, specify the stove type and serial number, including the colour index, the name of the part and the part number, including the colour index.

Example :

"Belfort" stove, Ref. : 154 05 12 Y, top 352136 EF.

A : 1540512Y = *EF

B : 1540512J = *79

C : 1540512K = *MJ

D : 1540512C = *MK

N°	Codes	Description	Type	A	B	C	D	Qty
1	100917	Cam pin	12x20 M7	A	B	C	D	01
2	106038	Switch		A	B	C	D	01
3	109244	Cable	2,5 mm2	A	B	C	D	0,74 m
4	110404	Hinge pin	6x30	A	B	C	D	02
5	113105	Male spanner		A	B	C	D	01
6	122204	Winged nut	diam. 8	A	B	C	D	01
7	122701	Nut		A	B	C	D	01
8	124371	Electrode		A	B	C	D	01
9	134258	Bushing		A	B	C	D	01
10	139596	Injector LPG	18/120	A	B	C	D	01
11	142301	Adhesive rope		A	B	C	D	0,90 m
12	142433	Gasket		A	B	C	D	01
13	159014	Test nipple		A	B	C	D	01
14	161027	Touch-up paint	(J)		B			01
14	161031	Touch-up paint	(K)			C		01
14	161032	Touch-up paint	(C)				D	01
15	162665	Descriptive plate		A	B	C	D	01
16	166745	Gas valve + piezo		A	B	C	D	01
17	109723	Ceramic coal		A	B	C	D	04
18	174651	Coal support		A	B	C	D	01
19	179036	Thermostat		A	B	C	D	01
20	179224	Thermocouple		A	B	C	D	01
21	181602	Ceramic rope	Ø 8	A	B	C	D	1 m
22	181614	Ceramic rope	d. 9,5	A	B	C	D	1,42 m
23	181615	Ceramic rope	d. 12	A	B	C	D	1,35 m
24	181617	Ceramic rope	15x2	A	B	C	D	1,60 m
25	188315	Pilot		A	B	C	D	01
26	188798	Glass	267x205	A	B	C	D	01
27	189825	Screw	M5x6	A	B	C	D	01
28	189849	Screw	M6x16	A	B	C	D	01
29	236007	Burner plate		A	B	C	D	01
30	243404	Draught diverter		A	B	C	D	01
31	243505	Supplementary diverter		A	B	C	D	01
32	259015	Fixing plate		A	B	C	D	04
33	276006	Plate		A	B	C	D	01
34	300118 MJ	Leg				C		04
34	300118 MK	Leg					D	04
34	300118 EF	Leg		A				04
34	300118 79	Leg			B			04
35	300480	Base		A	B	C	D	01
36	301541 MJ	Door lock				C		01
36	301541 MK	Door lock					D	01
36	301541 EF	Door lock		A				01
36	301541 79	Door lock			B			01
37	303718 MJ	Blanking plate				C		01
37	303718 MK	Blanking plate					D	01
37	303718 EF	Blanking plate		A				01
37	303718 79	Blanking plate			B			01
38	303860 MJ	Flue collar				C		01
38	303860 MK	Flue collar					D	01
38	303860 EF	Flue collar		A				01
38	303860 79	Flue collar			B			01
39	306281 EF	Back wall		A	B	C	D	01
40	307437 EF	Fuel retainer		A	B	C	D	01
41	309886 MJ	Front plate				C		01
41	309886 MK	Front plate					D	01
41	309886 EF	Front plate		A				01
41	309886 79	Front plate			B			01
42	309997 MJ	Main door				C		01
42	309997 MK	Main door					D	01
42	309997 EF	Main door		A				01
42	309997 79	Main door			B			01
43	310725 MJ	R. side panel				C		01
43	310725 MK	R. side panel					D	01
43	310725 EF	R. side panel		A				01
43	310725 79	R. side panel			B			01
44	310823 MJ	L. side panel				C		01
44	310823 MK	L. side panel					D	01
44	310823 EF	L. side panel		A				01
44	310823 79	L. side panel			B			01
45	327801	Clamp		A	B	C	D	01
46	327902 MJ	Tray				C		01
46	327902 MK	Tray					D	01
46	327902 EF	Tray		A				01
46	327902 79	Tray			B			01

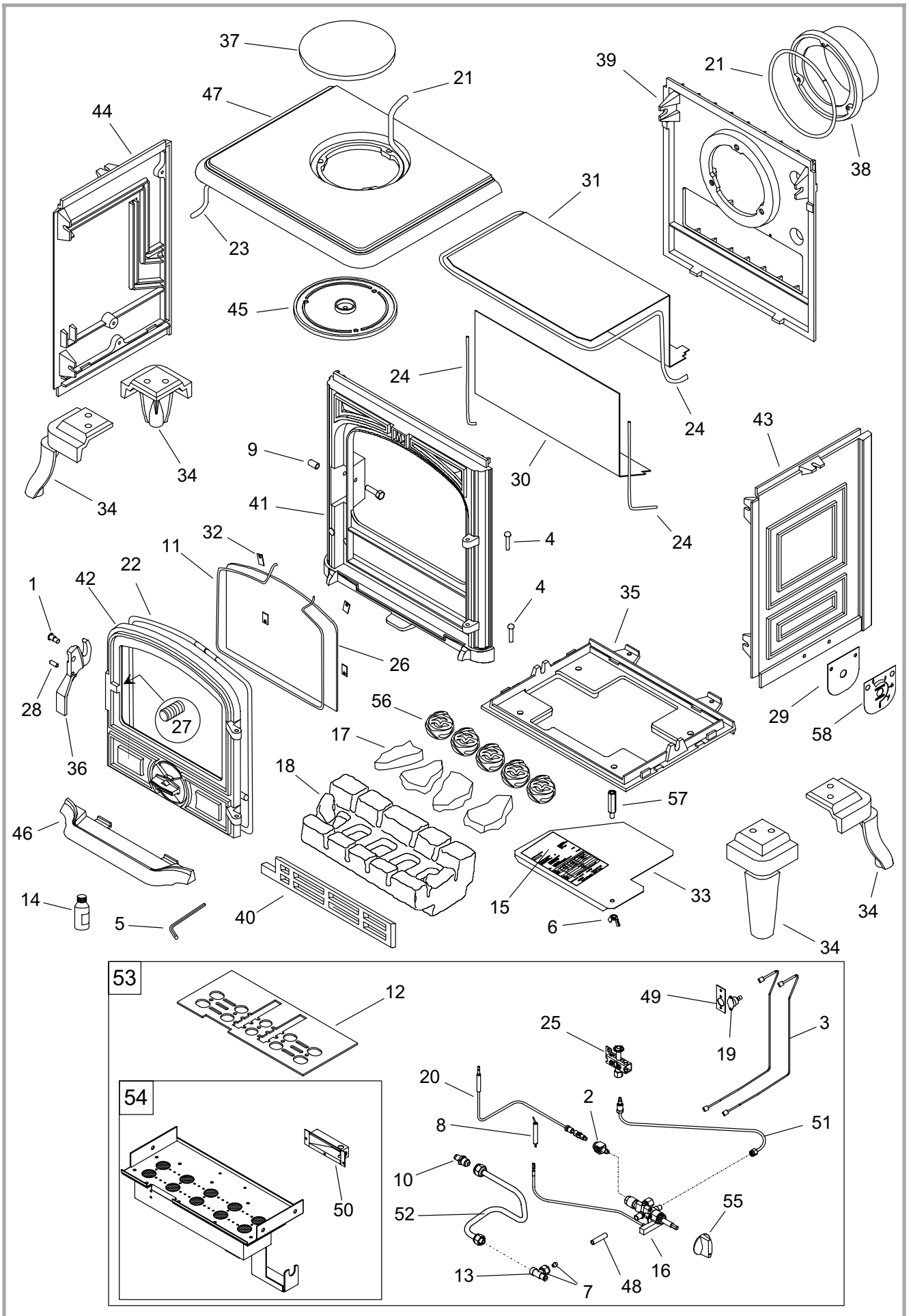


Figure 9 - Stove - Exploded view

47	352136	MJ	Top plate				C		01
47	352136	MK	Top plate					D	01
47	352136	EF	Top plate						01
47	352136	79	Top plate						01
48	467527		Test line	A	B	C		D	01
49	237203		Bracket	A	B	C		D	01
50	974602	60	Injector support LPG	A	B	C		D	01
51	982644		Pilot line	A	B	C		D	01
52	982646		Feed line regulator-burner	A	B	C		D	01
53	905927		Complete burner LPG	A	B	C		D	01
54	905926		Burner LPG	A	B	C		D	01
55	149862		Knob	A	B	C		D	01
56	109724		Ceramic coal	A	B	C		D	05
57	124412		Strut	A	B	C		D	01
58	158272		Control plate	A	B	C		D	01



Warranty certificate

Legal warranty

Our products are guaranteed for twelve months against any defect, flaw or imperfection. During this time, all parts judged defective by our Warranty control department may be replaced in our workshops. Incidental costs of transportation and packing payable by the buyer.

Some parts or components have a longer warranty period :

- Cast-iron shell of boiler : 3 years
- Steel shell of boiler : 3 years
- Removable or independent stainless steel hot water cylinder : 5 years
- Independent enamelled steel hot water cylinder : 3 years
- Incorporated circulating pump : 2 years.

Terms of the warranty

This warranty is only valid if :

- The unit has been installed and checked by a professional installer before operating,
- All installation and adjustment instructions listed in the

technical manual supplied with the unit have been followed,
- All operation and maintenance instructions have been followed.

This warranty does not cover :

- Lamps, fuses, spark plugs, cast iron parts directly in contact with burning coal and wood, firebricks, flue baffles, glasses .
- Any damage resulting from the use of fuel not recommended in our instructions ;
- Parts which are damaged by external causes such as unadapted chimneys, thunderstorms, damp, faulty pressure or fail in pressure, thermic anomalies, explosions, etc...
- Electrical parts which are deteriorated by any connection or use on a supply circuit with voltage within 10% of the indicted voltage (230 V in EU).

Material subject to modifications without prior notice. This manual does not engage the responsibility of FRANCO BELGE.

☒ Name and address of the installer : _____

☎ Telephone : _____

☒ Name and address of the customer : _____

Date of installation : ____ / ____ / ____

Model of the appliance : 154 05 12

Color : C J K Y

Serial number : _____

- This certificate has to be completed and kept carefully.

In case of claims, send a copy of this to :

Les Fonderies Franco-Belges, rue Orphée Variscotte, 59660 MERVILLE, FRANCE.