

---

# Monaco

---

Multifuel stove

DIN EN 13240 : 2005-10

**model : 134 06 02**

Output : 6 kW



Description of the appliance

Installation instructions

Operating instructions

Spare parts

Warranty certificate

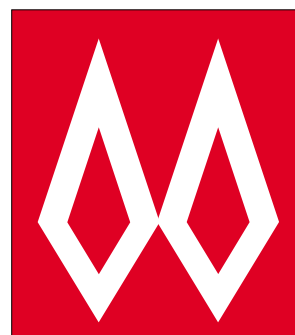
Document n° 1245-1 ~ 08/11/2007

**Technical manual**

to be saved

by the user

for future reference



**FRANCO BELGE**

*STAUB FONDERIE*

SARL with the capital of 6 359 540 €  
Head Office Address  
2, rue Saint Gilles  
68230 TURCKHEIM  
RCS Colmar  
SIREN 444 881 953

Address  
Administration and manufacturing  
BP 73  
59660 MERVILLE (FRANCE)  
Telephone : 00 333 28 43 43 00  
Fax : 00 333 28 43 43 99

Subject to modifications.

FRANCO BELGE congratulates you on your choice.  
FRANCO BELGE, guarantees the quality of its appliances and is committed to meet its customers' needs.  
FRANCO BELGE, which can boast a 80-year experience in the industry of heating devices, uses state-of-the-art technologies to design and manufacture its whole range of products.  
This document contains instructions on how to install your appliance and make full use of its functions, both for your comfort and safety.

---

## SOMMAIRE

---

### Description of the unit . . . . . p. 3

Package . . . . . p. 3	Appliance description . . . . . p. 3
Specifications . . . . . p. 3	Operating principle. . . . . p. 3

---

### Installation instructions . . . . . p. 4

Warning to the user . . . . . p. 4	Flue . . . . . p. 5
Location of the unit . . . . . p. 4	Chimney connector . . . . . p. 6
Mounting the flue collar . . . . . p. 5	Pre-utilisation check . . . . . p. 6
Smoke exit on the top . . . . . p. 5	Maintenance of the Chimney . . . . . p. 6
Smoke exit at rear . . . . . p. 5	

---

### Instructions for user . . . . . p. 7

Fuel . . . . . p. 7	Maintenance of the Chimney . . . . . p. 8
Lighting . . . . . p. 8	Maintenance of the stove . . . . . p. 8
Operating procedure. . . . . p. 8	Safety advice. . . . . p. 8
De-ashing . . . . . p. 8	Trouble shooting . . . . . p. 9

---

### Spare parts . . . . . p. 11

---

**This appliance is designed to burn wood and solid fuel safely**  
**WARNING**  
**An incorrectly installed stove can cause serious accidents. We recommend this appliance is installed by a competent qualified engineer and serviced annually.**

# 1 Description of the unit

## 1.1 Package

- 1 package : Stove

## 1.2 Specifications

<b>Model</b> . . . . .	<b>134 06 02</b>
Chimney draft required . . . . . Pa	12
Nominal heat output . . . . . kW	6
Useful firebox dimensions	
- Width . . . . . mm	429
- Depth . . . . . mm	240
- Height . . . . . mm	225
Logs dimensions	
Max. length . . . . . cm	40
Ash pan capacity . . . . . litre	3,24
Weight . . . . . kg	90
<b>WOOD</b>	
Efficiency . . . . . %	75,3
Co (13% O2) . . . . . %	0,362
Flue mass gas temperature . . . . . °C	343
Fuel rate . . . . . kg/h	2,6
Loading . . . . . kg	2
Refueling interval . . . . . mn	45

<b>ANTHRACITE</b>	
Efficiency . . . . . %	73,2
Co (13% O2) . . . . . %	0,111
Flue mass gas temperature . . . . . °C	348
Combustible flow . . . . . kg/h	1,4
Loading . . . . . kg	1,5
Refueling interval . . . . . mn	65

## 1.3 Appliance description

Multifuel stove - in conformity with **DIN EN 13240 : 2005-10**

- Intermittent-burning heating appliance.
- Detachable flue spigot for rear or top chimney connection.
- Front loading door fitted with large refractory glass panel.
- Adjustable primary air for controlling the burning rate.
- Large ash-pan.

## 1.4 Operating principle

The “ MONACO ” is designed for operation with the door closed. Heat is mainly diffused by radiation, through the window and body of the appliance.  
 Combustion occurs on the grate, with draught entry through the top of the combustion chamber when using wood and under the grate when using smokeless fuels.

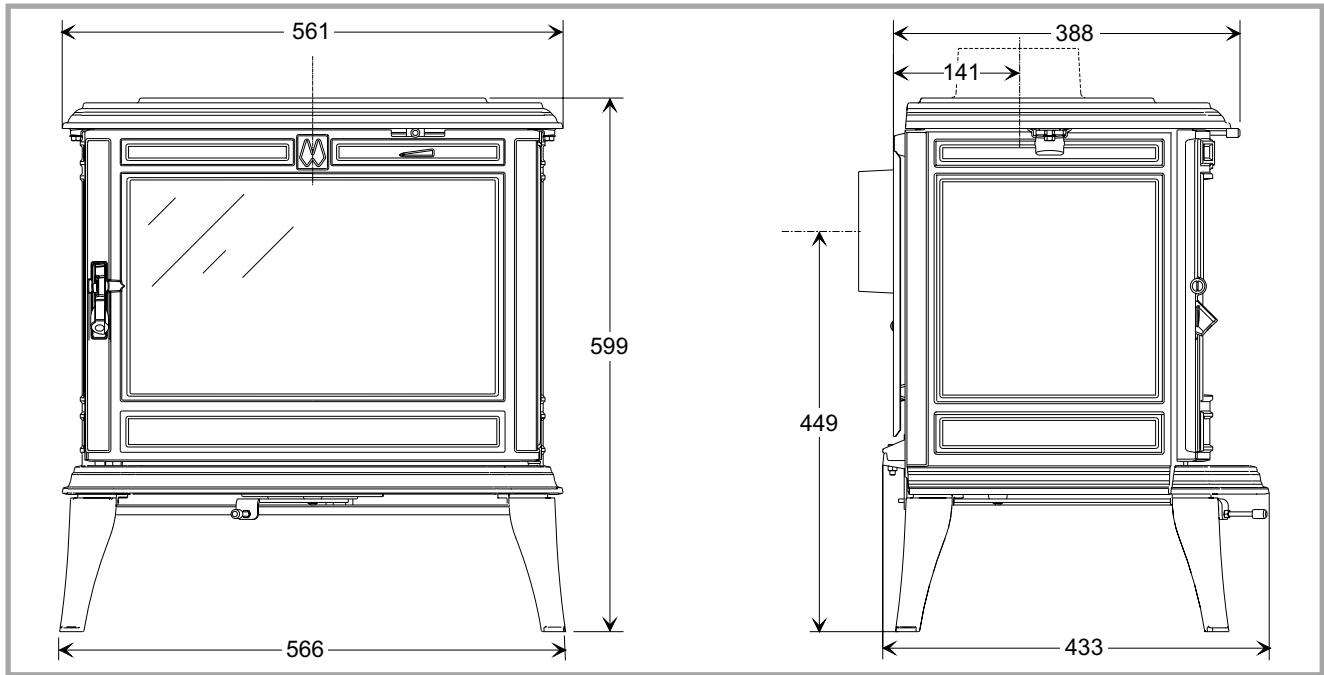


Figure 1 - Dimensions in mm

## 2 Installation instructions

### 2.1 Warning to the user

All the local and national regulations, and in particular those relating to national and European standards, must be observed when installing the appliance.

An incorrectly installed heating appliance can cause serious accidents (chimney fires, burning of plastic insulation materials, in partition walls, etc.). The insulation of both the appliance and the exhaust gas pipe has to be reinforced and done according to the Standards and the Building Regulations for safety reasons. The installation must be carried out according to the Standards and the Building Regulations. Failure to respect the manufacturer’s instructions will invalidate the warranty.

The manufacturer’s responsibility shall be limited to the supply of the appliance.

### 2.2 Location of the unit

**Ventilation :** For satisfactory appliance operation with a natural draught, check that sufficient air for combustion is available in the room. In houses equipped with one VMC (controlled mechanical ventilation), this one aspire and renew the ambient air; in this case, the residence is under slight low pressure and a non-sealable external air intake must be installed in addition to the chimney itself, at least 50cm<sup>2</sup> in section.

**Position of the unit :** For new installations, select a central position within the house, to provide a good heat distribution around the building. The heat distribution towards the other rooms will be made through the communicating doors. These rooms must be at low pressure or fitted with non-adjustable air registers, placed so that they cannot be obstructed, to encourage circulation of the hot air.

**Floor and walls :** Make sure there are not combustible or covered with combustible material. Otherwise it must necessary to install a non-combustible protection. There must be a clearance of at least 150 mm at each side of the appliance and at the back of the appliance from

a non-combustible wall. This distance must be extended to a minimum clearance of 900 mm side and 700 mm back from any combustible materials. This measurement may be reduced to a minimum gap of 50 mm when the non-combustible wall is at least 200 mm thick.

When using a single wall flue pipe, there must be a clearance (A) of at least three times its diameter (B)

from any combustible materials. If the appliance has to be located in an opening, this distance must be extended to a minimum clearance (A) of 450 mm from the pipe or the stove body to any combustible materials.

**Hearth :** The appliance must stand on a fireproof hearth. It is possible to provide a hearth made of non combustible board/sheet material or tiles at least 12 mm thick (C). Constructional hearths should be constructed of solid non combustible material at least 125 mm thick (including the thickness of any non combustible floor under the hearth). The hearth must protrude at least 300 mm in front of the stove and 150 mm each side. Hearths are provided to prevent combustion appliances setting fire to the building fabric and furnishings and to limit the risk of people being accidentally burnt.

Therefore, they should be separated from adjacent combustible materials and should be satisfactorily delineated from surrounding floor finishes (carpets etc.) as follows.

Combustible material should not be placed under a constructional hearth for a solid fuel appliance within a vertical distance of 250 mm from the upper surface of the hearth, unless there is an airspace of at least 50 mm between the combustible material and the underside of the hearth.

Where a superimposed hearth has been placed onto a constructional hearth, combustible material placed on or beside the constructional hearth should not extend under the superimposed hearth by more than 25 mm or closer to the appliance than 150 mm.

Ensure that the hearth (superimposed or constructional) is suitably delineated to discourage combustible floor finishes from being laid too close to the appliance, by marking the edges or providing a change of level.

Position the appliance on the hearth such that combustible material cannot be laid closer to the base of the appliance than :

- (a) At the front, 300 mm if the appliance is an open fire or stove which an, when opened, be operated as an open fire, or 225 mm in any other case ;
- (b) At the back and sides, 150 mm or in accordance with the recommendations below which relate to distance

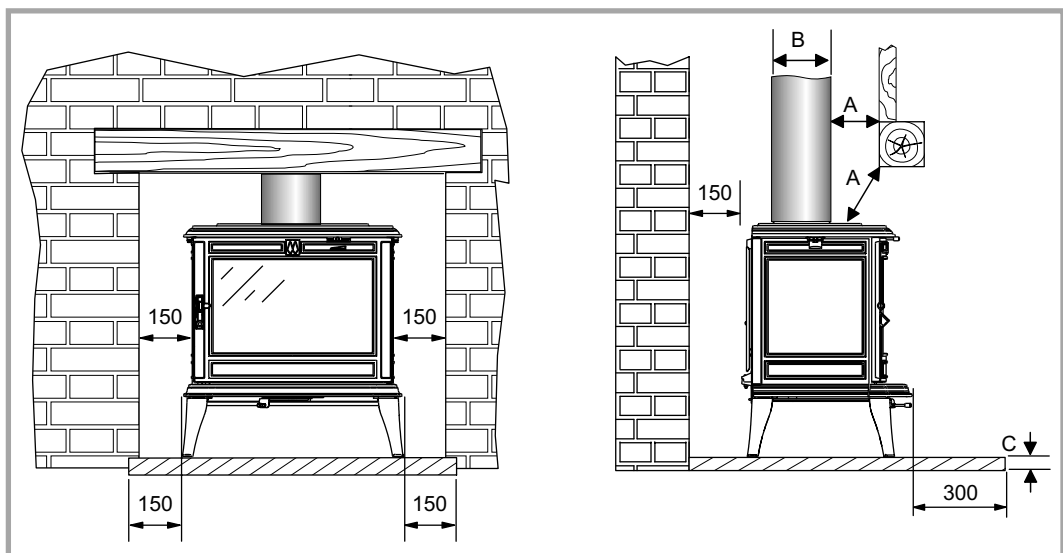


Figure 2 - Minimum clearances

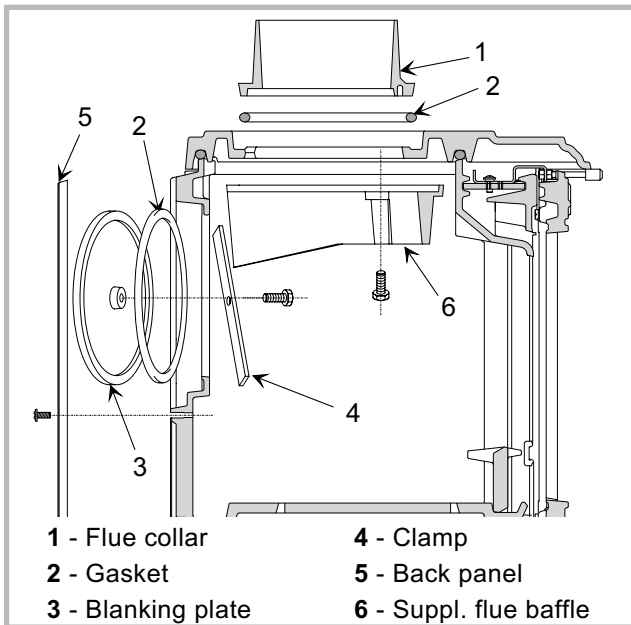


Figure 3 - Smoke exit on the top

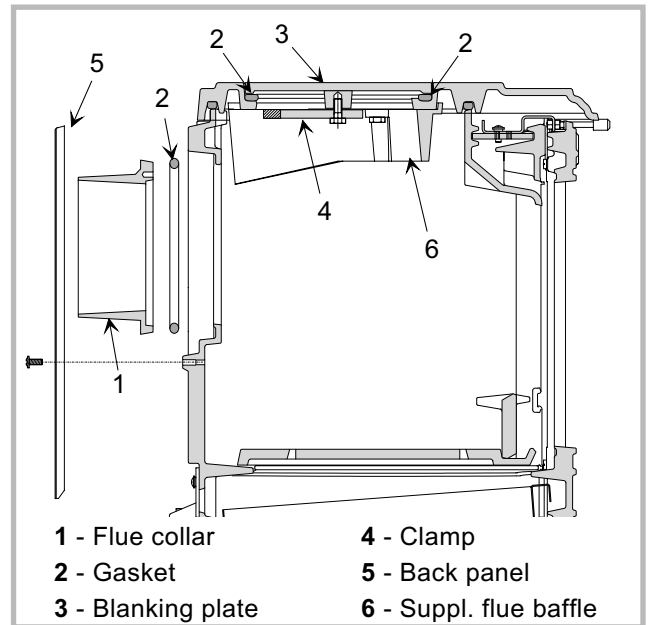


Figure 4 - Smoke exit at rear

from hearth to walls. Please refer to section J of the Building regulations

When using a single wall flue pipe, there must be a clearance (A) of at least 450 mm from any combustible materials (timber mantel, girder).

### 2.3 Mounting the flue collar

The stove is supplied with a connection flue spigot with an inner diameter of 125 mm and an outer diameter of 139 mm.

#### 2.3.1 Smoke exit on the top

Figure 3

- Remove the internal baffle.
- Fix the sealing rope 2 in the groove and fit the flue spigot 1 and the supplt flue baffle 6.
- Ensuring there is a good seal.
- Replace the internal baffle
- **The rear heat shield should not be cut out in this type of installation**

#### 2.3.2 Smoke exit at rear

Figure 4

- WARNING** : Do not remove the cast iron top
- Remove the internal baffle
  - Remove the blanking plate and the clamp 3 and 4 from the rear and fix the parts on the top
  - Fit the sealing rope 2 in the groove on the rear and fix the flus collar with the bolts and washers supplied.
  - Ensuring there is a good seal.
  - Suppress the supplt flue baffle 6
  - Replace the internal baffle

**Remove the cut-out in the rear heat shield and re-fit (figure 5).**

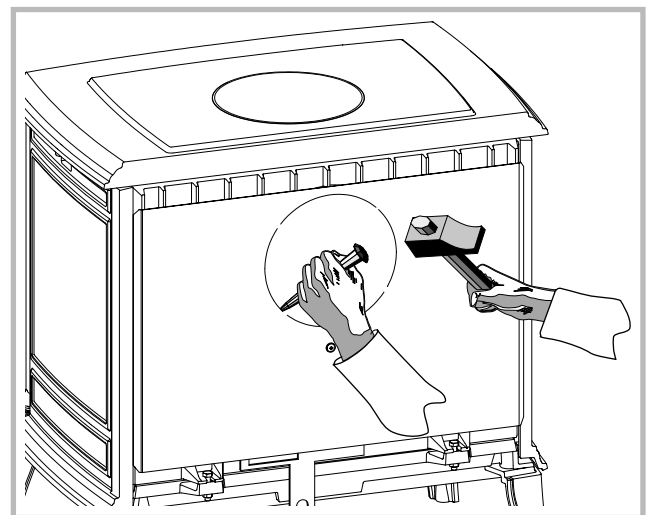


Figure 5 - Cut-out in the rear heat shield

### 2.4 Flue

**Existing flue** : The chimney must comply with Current Building Regulations. If in doubt, consult your Dealer or local Building Inspector.

- The flue must be in good condition and must provide sufficient draught (refer to technical details p. 3).
- The flue must be suitable for the installation of fuel burning appliances, otherwise it must necessary to install a tubing.
- The flue must be clean. It should be swept to remove soot and dislodge tar deposits.
- The flue must be well insulated. If the flue inner wall surfaces are cold, a good thermal draw is impossible causing condensation problems (tar formation etc) to occur.
- The flue must be watertight.
- The flue must not be shared with other appliances.
- The chimney must have a constant cross section.
- When the cross-section of the chimney is too large, it has difficulties in obtaining a good draught.

- The chimney must be at least 4.5 m (15 ft) high and be at 40 cm above the ridge of the roof and 8 meters away from any construction.
- In case of a flat roof or when the roof gradient is lower than 15°, the stack must be 1,2 m (4 feet) high at least.
- The capping must not restrain the draught.
- If the chimney has any down draught tendency, due to its position in relation to nearby obstacles, then an anti-down draught cowl must be installed on the chimney or the chimney height must be increased.
- If the chimney draught is excessive or irregular, a draught stabilizer (barometric damper) must be installed to the connector pipe it must be visible and accessible.

**Chimney to be built / New flue :** The chimney must comply with Current Building Regulations. If in doubt, consult your Dealer or local Building Inspector.

- The appliance must not support the weight of the flue.
- It must be distant from any combustible material (walls, cross members)
- It must permit easy sweeping.

### 2.5 Chimney connector

- The connection to the flue must be carried out according to local building regulations.
- The appliance must be installed as close as possible to the chimney.
- The connector pipe must be approved for installation with combustion products (either 24 ga. Black painted or blued steel or 316 grade 20 ga. Stainless steel or 1 mm vitreous enamelled steel).
- Pipe diameter must not be less than the appliance spigot diameter.

- The connection can be either vertical or horizontal. For horizontal connections, avoid right angle bends.
- The joint between the connection pipe and the stovepipe, and the flue, must be leak tight.
- For the premises equipped with a mechanical controlled ventilation, the airtightness has to prevent the exhauster drawing out the smokes from the exhaust gas pipe.
- The connection pipe and any draught stabiliser must have access for cleaning.

### 2.6 Pre-utilisation check

Check that the seals of the smoke-line are in good condition. Check that the door closes correctly. Check that the glass is not damaged. Check that the smoke passages are not obstructed by packaging or removable parts. Check that all removable parts are correctly installed.

### 2.7 Maintenance of the Chimney

**Very important :** In order to avoid any incident (chimney fire, etc...), maintenance tasks must be carried out regularly. If the appliance is regularly used, the chimney should be swept several times per year, together with the stovepipe connection section.

**If the chimney catches fire, you must cut off the flue draught, close the doors and windows, hatches and keys and call the Fire Brigade without delay.**

**DO NOT OPEN THE DOOR OF THE APPLIANCE (OR AIR INLET) UNDER ANY CIRCUMSTANCES**

Chimney condition should be checked at least once per year by a professional engineer

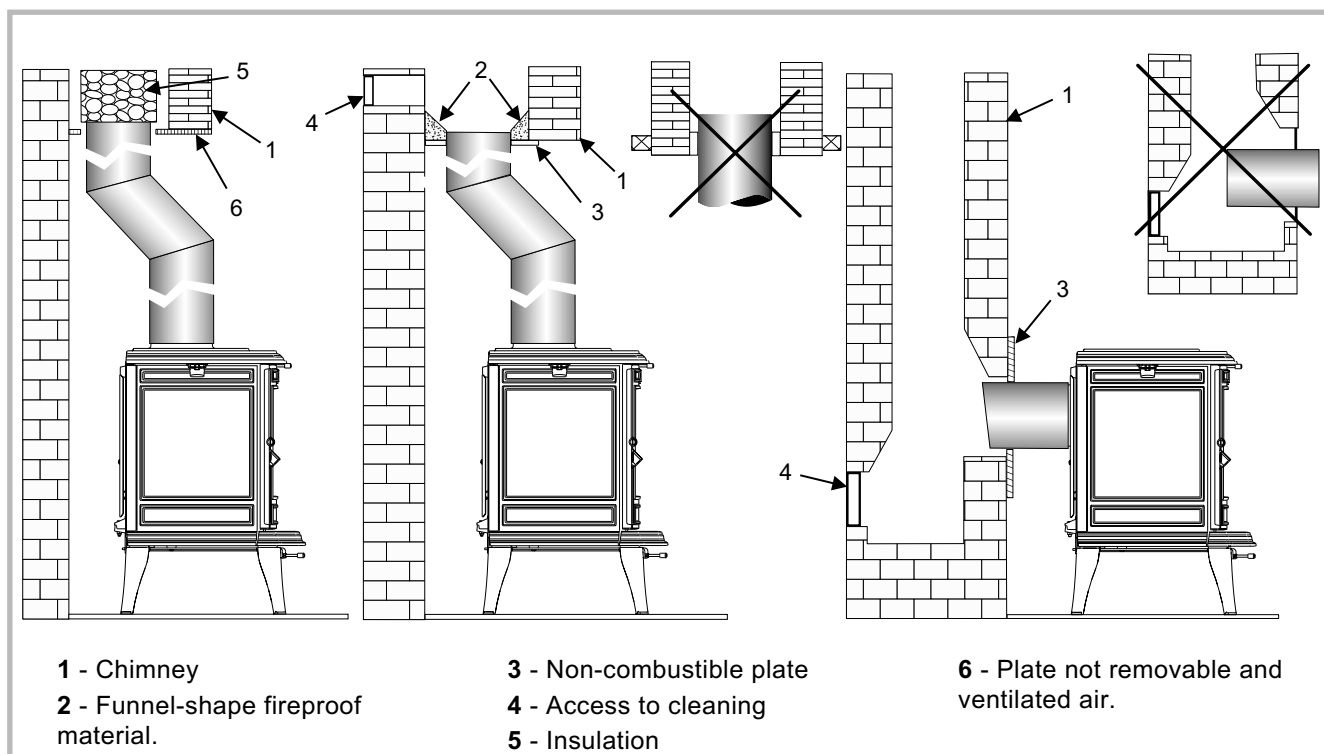


Figure 6 - Chimney connector



### 3 Instructions for user

The manufacturer will not be responsible for damages on parts of the appliance due to the use of prohibited fuel or due to an alteration of the appliance or its installation. **Only use replacement parts supplied by the manufacturer.**

**Don't run the stove in mild weather with coal : Under certain circumstances (e.g. fog and repeated thaw) the chimney will not draw sufficiently well and thus be at the origin of asphyxia.**

**Awaiting better weather circumstances, don't use any coal but only wood.**

At the first lighting, the fire must be progressively increased to allow the various parts to expand normally and to dry up.

**Note :** When the fire is lit for the first time, the stove may give off fumes from the new paint. This is normal but ensure the room is well ventilated during the first few hours of operation.

**Warning :** properly installed and operated this appliance will not emit fumes into the dwelling. Occasional fumes from de-ashing and re-fuelling may occur. Persistent fume emission is dangerous and must not be tolerated. If fume emission does persist :

Open doors and windows to ventilate room.

Let the fire go out and dispose of fuel from the appliance.

Check for flue or chimney blockage, and clean if required. Do not attempt to relight the fire until the cause of the fume emission has been identified and corrected. If necessary seek expert advice.

**Note :** It is recommended to use a fireguard in the presence of children, and also in the presence of old and/or infirm people.

#### 3.1. Fuel

**This appliance is not an incinerator.**

Use hard wood logs, which have been cut for at least two years and stored, under a ventilated shelter.

Use hardwood that have a higher calorific value per cu metre (Yoke-elm, oak, ash, maple, birch, elm, beech, etc.). Large logs must be split and cut to an useful length, before being stored in a sheltered and ventilated place.

**• Recommended fuel :**

The best fuels for use with the Franco Belge “Monaco” are :

Seasoned wood. - hard wood logs that have been cut, split and stored for at least two years with a minimum moisture content of 20 % e.g. oak, beech, elm etc.

Anthracite – dry steam coal fuels as described in type A – table B2 of the Standard – smokeless fuels along with coalite and anthracite.

**• Prohibited fuel :**

Any form of housecoal (bituminous coal) or petroleum based fuels.

We do not recommend that unseasoned wood (green wood) is used due to it's high levels of moisture which will produce tar and in turn can cause the insides of the stove and the lining of the chimney to become coated which in turn could lead to a chimney fire.

We do not recommend recovered wood e.g railway sleepers, chipboard, pallets are burned as these have been treated and will product a great deal of pollution to the environment and will overheat the appliance.

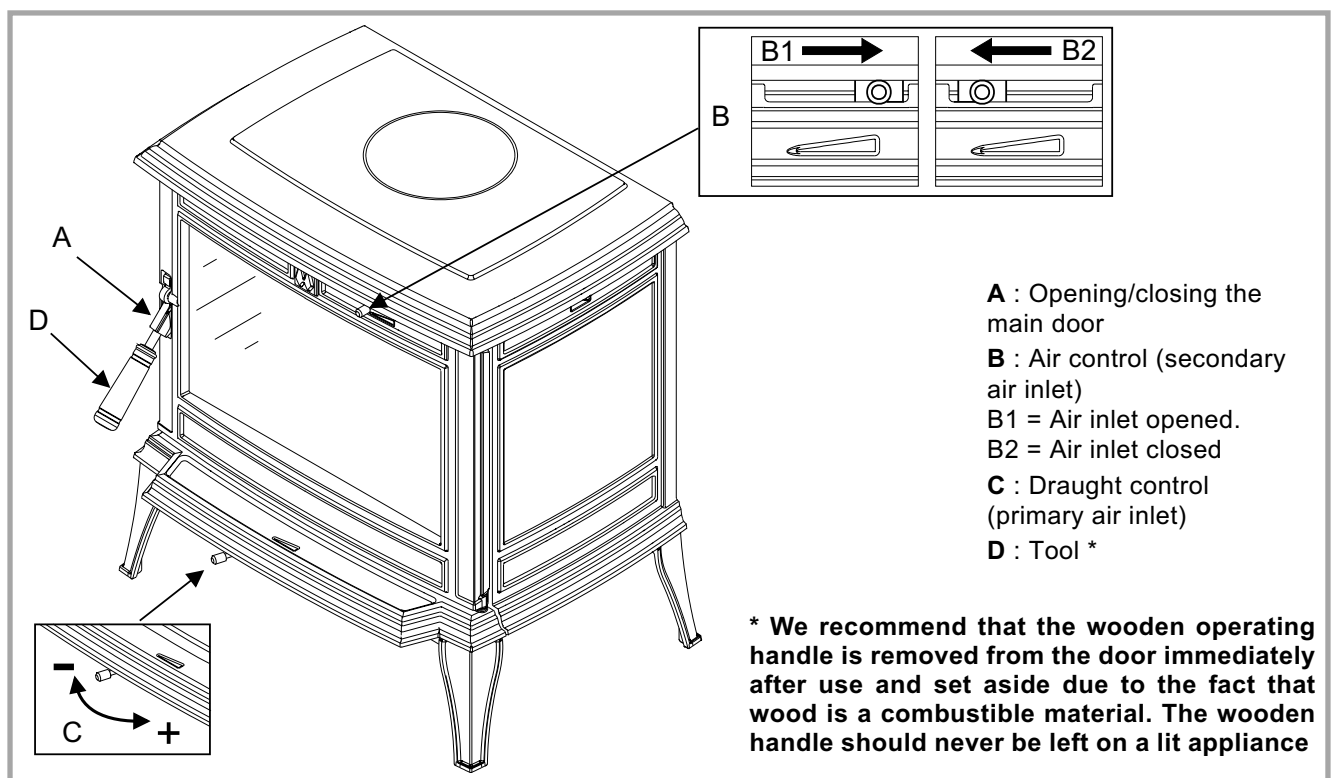


Figure 7 - Operating devices

### 3.1 Lighting

#### Figure 7

- Slide the top air control (# C).
- Open the front door and lay firelighters or rolled up newspapers on the grate with a reasonable quantity, if necessary, of dry kindling wood. Place 2 or 3 small logs on top.
- Light the newspaper or firelighters using a long taper and close the front door.
- When the fire is burning fiercely, add further logs of a diameter up to 10 cms.
- When the stove body is very hot, close the lower air control (# C).
- The burning rate can now be adjusted by moving the top air control to the left (# B).

Experience will show you which settings are best for your situation.

### 3.2 Operating procedure

**The appliance must function with the door properly closed**, the burning rate being controlled in using the secondary air regulation flap (rep. B).

Experience will show you which settings are best for your situation.

**When using smokeless fuels, the secondary air inlet must be closed at all time.**

The burning rate will be controlled in this case in using the primary air inlet (rep. C).

The airwash system works with the top airslide. When the top airslide is full open the system works at its strongest efficiency.

The more closed down the airslide is, the less effective the airwash will be (when shut down completely, the airwash system can not function).

#### • Loading the fuel

- The door should be opened slowly, avoiding a sudden rush of intake air, so that smoke does not escape into the room.
- The logs must be placed on the glowing embers.
- For a briskly burning fire, there should always be at least two logs in the fire. The fire will burn better if there are several logs.
- For a slower burning fire (for example, at night), select larger logs.
- After loading the firebox, close the main door (rep. A, figure 7, page 7).

### 3.3 De-ashing

- Ashes must be removed regularly.
- Ashes must never be allowed to pile up to the grate. The grate would not be cool down and could rapidly be damaged.
- Empty the ashes when the appliance is cold.
- Remove the ash drawer using the tool provided.
- Empty the ashes carefully with regard to the live embers.

### 3.4 Maintenance of the Chimney

**Very important !** In order to avoid any incident (chimney fire, etc...), maintenance tasks must be carried out regularly.

**If the appliance is regularly used, the chimney should be swept several times per year, together with the stovepipe connection section.**

**If the chimney catches fire, you must cut off the flue draught, close the doors and windows, hatches and keys and call the Fire Brigade without delay.**

**DO NOT OPEN THE DOOR OF THE APPLIANCE (OR AIR INLET) UNDER ANY CIRCUMSTANCES.**

The chimney must be serviced and cleaned by a specialist.

### 3.5 Maintenance of the stove

- The appliance must be cleaned regularly , together with the connecting pipe and the flue pipe.
- Open the door and remove all deposits in the firebox and clean the removable fire grate.
- Cleaning of the glass door can be done with a soft cloth dampened with water and vinegar or potassium ; this must be done when the appliance is cold ; then rinse with clear water. Do not use abrasive cleaners.
- The "vitreoceramic" glass will resist to temperatures of up to 750 C. Should the glass break due to misuse, it must be replaced by the manufacturer own product.
- All the casing parts can be cleaned using a soft cloth either dry, or slightly damp. In case of condensation or water splashes clean the parts before they dry out.
- Check that there are no obstructions before relighting after a long period of disuse.
- The appliance must not be used with a flue serving several appliances.
- Keep the grates ventilation free of any obstructions.

### 3.6 Safety advice

This appliance produces heat and may cause severe burns if touched.

The stove may still be **HOT** even when the fire has burnt out.

**KEEP CHILDREN AWAY.**

**A FIRE GUARD IS ADVISABLE TO PROTECT CHILDREN, THE ELDERLY AND INFIRM.**



### 3.7 Trouble shooting



: This sign means that you should ask for a qualified engineer to do the work..

<i>Problem</i>	<b>Probable causes</b>	- Action
<i>Fire difficult to start Fire goes out</i>	<b>Wood green, too damp.</b>	- Use hard wood logs, which have been cut for at least two years and stored, under shelter.
	<b>Logs are too big.</b>	- To light the fire, use small, very dry twigs. To maintain the fire, use split logs.
	<b>Poor quality wood.</b>	- Use hardwood that have a higher calorific value per cu metre (Yoke-elm, oak, ash, maple, birch, elm, beech, etc.)
	<b>Air starvation.</b>	- Open lower spin wheel and top air control lever.
	<b>Insufficient draught.</b>	<input checked="" type="checkbox"/> - Check that the flue is not obstructed, sweep it if necessary - Seek advice from a chimney specialist.
<i>Fire burns too quickly.</i>	<b>Too much draught.</b>	- Ensure that the lower spin wheel is closed - Partially close the top air control lever.
	<b>Excessive draw.</b>	<input checked="" type="checkbox"/> - Install a draught stabiliser. Consult your Dealer.
	<b>Poor quality wood.</b>	- Do not continuously burn small wood, sticks, bundles, carpentry offcuts (plywood, pallets), etc.
<i>Smokes when lighting up.</i>	<b>Flue duct is cold.</b>	- Burn paper and kindling wood to increase heat.
	<b>Room is in decompression.</b>	- In houses equipped with mechanical ventilation, partly open a window until the fire is well established.
<i>Smokes while burning.</i>	<b>Draught is insufficien.</b>	<input checked="" type="checkbox"/> - Consult a chimney specialist. - Check that the flue is not obstructed, sweep if necessary.
	<b>Down draught.</b>	<input checked="" type="checkbox"/> - Install an anti-down draught cowl. Consult your Dealer.
	<b>Room is in decompression.</b>	<input checked="" type="checkbox"/> - In houses equipped with Mechanical Ventilation, an outside air intake must be installed for the chimney.
<i>Low heat output.</i>		- Incorrect Fuels.



## 4 Spare parts

When ordering spare parts, specify the **stove type** and **serial number**, including the **colour index** (on the guarantee or identification plate), the **name of the part** and the **part number**.

Example : Wood stove “ **MONACO** ”, model **134 06 02**, the colour index **Y**, Main door **331116 EF**

**A** = 134 06 02 Y ; **B** = 134 06 02 P ; **C** = 134 06 02 L ; **D** = 134 06 02 E ; **E** = 134 06 02 J

N°	Code	Description . . . . .	Type . . . . .	A	B	C	D	E	Qty
1	100917	Cam pin . . . . .	12x20 M7 . . . . .	A	B	C	D	E	01
2	101067	Cam pin . . . . .		A	B	C	D	E	01
3	101809	Ring . . . . .		A	B	C	D	E	05
4	102041	Firebrick . . . . .		A	B	C	D	E	02
5	102042	Firebrick . . . . .		A	B	C	D	E	02
6	134253	Bushing. . . . .		A	B	C	D	E	01
7	134758	Pin. . . . .	4 x16 . . . . .	A	B	C	D	E	01
8	142881	Gasket . . . . .		A	B	C	D	E	02
9	149882	Knob . . . . .		A	B	C	D	E	01
10	158637	Handle . . . . .		A	B	C	D	E	01
11	161025	Touch-up paint . . . . .				C			01
11	161027	Touch-up paint . . . . .						E	01
11	161060	Touch-up paint. . . . .			B				01
11	161061	Touch-up paint . . . . .					D		01
12	162352	Descriptive plate . . . . .		A	B	C	D	E	01
13	179628	Regulator shaft. . . . .		A	B	C	D	E	02
14	181614	Ceramic rope . . . . .	Ø 12 . . . . .	A	B	C	D	E	1,04 m
15	181632	Gasket . . . . .	Ø 6 . . . . .	A	B	C	D	E	1,35 m
16	181633	Gasket. . . . .	Ø 10 . . . . .	A	B	C	D	E	1,58 m
17	105006	Gasket. . . . .	Ø 15 . . . . .	A	B	C	D	E	1,65 m
18	188858	Ceramic glass . . . . .	425 X 253 . . . . .	A	B	C	D	E	01
19	189104	Screw . . . . .	6x22 . . . . .	A	B	C	D	E	02
20	207309	Back panel . . . . .		A	B	C	D	E	01
21	216123	Circulation duct . . . . .		A	B	C	D	E	02
22	224022	Ash-pan . . . . .		A	B	C	D	E	01
23	228624	Square . . . . .		A	B	C	D	E	01
24	237406	Reducing plate . . . . .		A	B	C	D	E	01
25	237415	Reducing plate . . . . .		A	B	C	D	E	01
26	259015	Fixing plate. . . . .		A	B	C	D	E	02
27	262614	Heat shield . . . . .		A	B	C	D	E	01
28	270402	Air control flap . . . . .		A	B	C	D	E	01
29	300136	RH Leg . . . . .			B				04
29	300136	RP Leg . . . . .					D		04
29	300136	EF Leg . . . . .		A					04
29	300136	77 Leg . . . . .				C			04
29	300136	79 Leg . . . . .						E	04
30	300432	EF Base . . . . .		A	B	C	D	E	01
31	301537	RH Door lock. . . . .			B				01
31	301537	RP Door lock . . . . .					D		01
31	301537	EF Door lock. . . . .		A					01
31	301537	77 Door lock . . . . .				C			01
31	301537	79 Door lock . . . . .						E	01
32	303718	RH Blanking plate . . . . .			B				01
32	303718	RP Blanking plate. . . . .					D		01
32	303718	EF Blanking plate . . . . .		A					01
32	303718	77 Blanking plate. . . . .				C			01
32	303718	79 Blanking plate . . . . .						E	01
33	303860	RH Flue collar . . . . .			B				01
33	303860	RP Flue collar. . . . .					D		01
33	303860	EF Flue collar . . . . .		A					01
33	303860	77 Flue collar . . . . .				C			01
33	303860	79 Flue collar . . . . .						E	01
34	306260	EF Back wall . . . . .		A	B	C	D	E	01
35	307424	EF Fuel retainer . . . . .		A	B	C	D	E	01
36	309232	Wood grate. . . . .		A	B	C	D	E	01
37	310733	RH R. side panel. . . . .			B				01
37	310733	RP R. side panel . . . . .					D		01

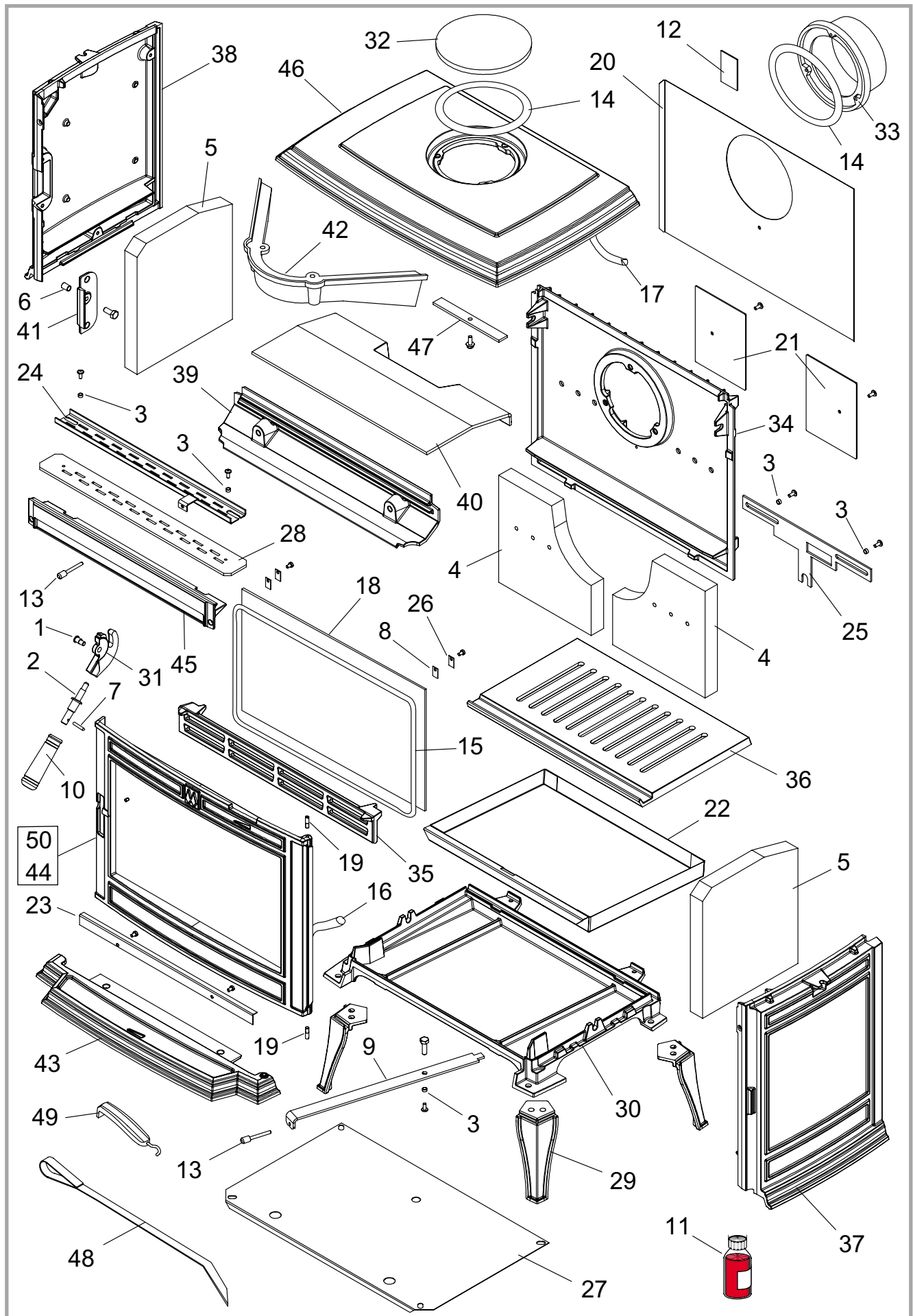


Figure 8 - Spare parts view

A = 134 06 02 Y ; B = 134 06 02 P ; C = 134 06 02 L ; D = 134 06 02 E ; E = 134 06 02 J

N°	Code	Description	Type	A	B	C	D	E	Qty
37	310733	EF R. side panel		A					01
37	310733	77 R. side panel				C			01
37	310733	79 R. side panel						E	01
38	310833	RH L. side panel			B				01
38	310833	RP L. side panel					D		01
38	310833	EF L. side panel		A					01
38	310833	77 L. side panel				C			01
38	310833	79 L. side panel						E	01
39	315615	Air duct		A	B	C	D	E	01
40	323209	Flue baffle		A	B	C	D	E	01
41	324503	Sealing plate		A	B	C	D	E	01
42	326601	Suppl. flue baffle		A	B	C	D	E	01
43	327909	RH Ash pan guide			B				01
43	327909	RP Ash pan guide					D		01
43	327909	EF Ash pan guide		A					01
43	327909	77 Ash pan guide				C			01
43	327909	79 Ash pan guide						E	01
44	331116	RH Main door			B				01
44	331116	RP Main door					D		01
44	331116	EF Main door		A					01
44	331116	77 Main door				C			01
44	331116	79 Main door						E	01
45	332004	Air duct		A	B	C	D	E	01
46	352175	RH Top plate			B				01
46	352175	RP Top plate					D		01
46	352175	EF Top plate		A					01
46	352175	77 Top plate				C			01
46	352175	79 Top plate						E	01
47	406816	Clamp		A	B	C	D	E	01
48	415504	60 Poker		A	B	C	D	E	01
49	808001	ED Hand tool		A	B	C	D	E	01
50	989009	Complete door		A					01
50	989010	Complete door			B				01
50	989011	Complete door				C			01
50	989012	Complete door					D		01
50	989013	Complete door						E	01



## Guarantee certificate

### Legal guarantee

The specifications, dimensions and information shown on our documents are provided for information purposes only and under no circumstances are binding upon the vendor.

With the aim of constantly improving our equipment, all modifications considered as necessary by our departments may be made without notice.

The provisions of the present guarantee certificate are not excluding or limiting the owner of the equipment's rights, concerning the legal guarantee regarding faults or hidden vices which applies in all circumstances, in the conditions detailed in articles 1641 and following of the civil code, and in the country in which the equipment was purchased.

### Contractual guarantee

Our equipment is guaranteed against faults and hidden vices subject to the following conditions:

- 1) Installation and adjustment of the device by a professional installer.
- 2) Observance of the instructions provided in our technical documents and our installation/adjustment instructions.
- 3) The installation, use and maintenance of the device carried out in conformity with the applicable standards and legislation, and with the indications provided in the technical instructions accompanying the device.

This guarantee covers the replacement, in our factory, of parts recognised as being defective from the outset by

our "Guarantee Inspection" Department. Carriage and labour is at the user's cost. Moreover, if the repair or replacement of parts covered by the guarantee is found to be too costly vis-à-vis the price of the appliance, the decision to replace or repair the appliance will be taken by the vendor.

Our guarantee is for 2 (two) years for all appliances, with the exception of closed combustion fireplace and inserts for which our guarantee is 5 (five) years excluding the following:

- 1) Indicator lights, fuses, electrical elements and fans.
- 2) Parts subject to wear or in contact with high temperatures namely: soles and burner grills, bottom plates baffles, ash pans, paintwork and surface treatments for decorative parts. Also excluded from this guarantee are seals and windows.
- 3) Any damage which may result from the use of the appliance with a fuel other than that stipulated in our instructions.
- 4) Damage occurring to parts caused by elements outside the appliance (down draught, storm damage, damp, abnormal pressure or vacuum, heat shocks, etc.).
- 5) Damage to electrical parts caused by plugging in and using the appliance on a mains system, the voltage of which (measured at the entrance to the appliance) is 10% above or below the nominal voltage of 220 V.

### Exclusion of liability

In the case of a product manufactured at the client's request, under no circumstances may we, as a subcontractor, be considered liable vis-a-vis the client or third parties for defects arising from the installation or a design fault with the item in question.

Name and address of the installer : \_\_\_\_\_

Telephone : \_\_\_\_\_

Name and address of the customer : \_\_\_\_\_

Date of installation : \_\_\_\_ / \_\_\_\_ / \_\_\_\_

Model of the appliance :  134 06 02

Color :  Y  P  L  E  J

Serial number : \_\_\_\_\_

• This certificate has to be completed and kept carefully.  
In case of claims, send a copy of this to :

**STAUB FONDERIE, BP 73, 59660 MERVILLE, FRANCE.**