



**FRANCO
BELGE**
COAL STOVES

INSTALLATION
MANUAL

Models:

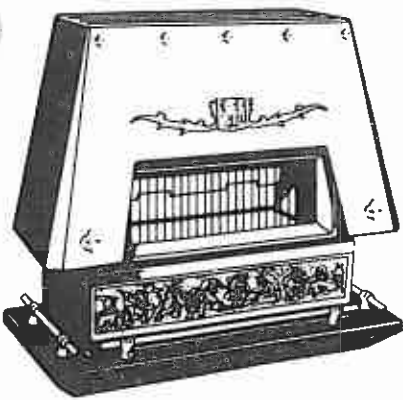
10-242

10-262

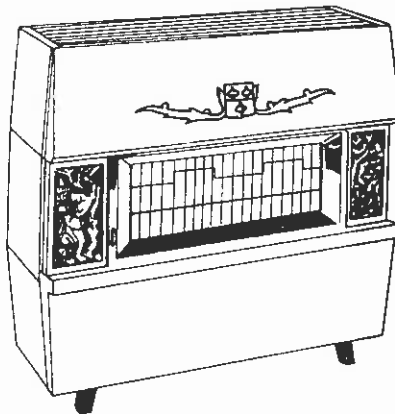
10-275

10-275RU

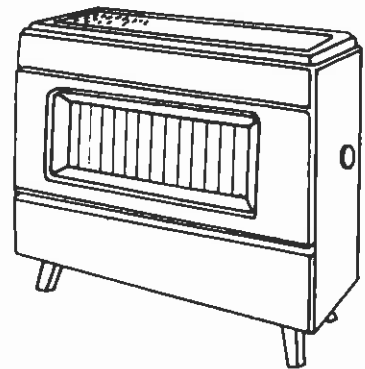
10-475



Model No. 10-275RU



Model No. 10-475



Model No. 10-242
Model No. 10-262
Model No. 10-275

FRANCO BELGE FOUNDRIES OF AMERICA
INCORPORATED

Models: 10-1475; 10-1242; 10-1262; 10-1275; 10-1275RU

READ INSTRUCTIONS CAREFULLY BEFORE STARTING. INSTALLATION MUST COMPLY WITH ALL LOCAL AND NATIONAL CODES. ALL PARTS MUST BE IN PLACE OR LISTING WILL BE VOID. SAVE FOR FUTURE REFERENCE.

ASSEMBLY INSTRUCTIONS

1. Remove all parts from shipping carton and check for damage. If any damaged pieces are found, contact the shipping company immediately.
2. Make sure that the back plate (PN 10-75-FB51) rests directly on top of the back side of the grate, leaning against back of the firebox. Place hopper supporter on each side of the grate. Refer to Illustration No. 1.
3. Assemble hopper top section (PN 10-75-49) to lower section (PN 10-75-54). Place hopper on supporters according to the fuel size:

Position	Fuel Piece Size (Anthracite Coal only)
Low	1/4 inch by 3/8 inch (Rice)
Medium	3/8 inch by 3/4 inch (Buckwheat)
High	3/4 inch by 1-1/14 inch and 1 oz. (Pea)
Highest	2 oz. (Nut)

For most installations, pea coal is recommended. Consult your dealer.

Make sure that top cover (PN 10-75-159FB) is in place. Refer to Illustration No. 1.

4. Your unit is ready for installation.

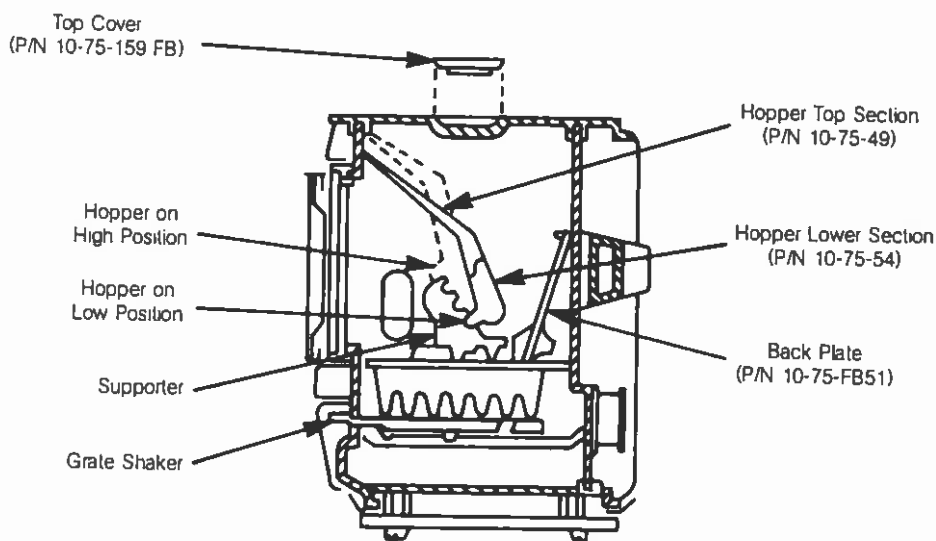


Illustration No. 1

INSTALLATION INSTRUCTIONS

Ceiling Penetration

1. Place elbow on rear outlet of unit. Position unit to comply with the minimum clearances. Minimum clearances are shown from the vertical portion of the chimney connector. Check that no overhead cross members in the ceiling will be cut. Reposition unit if necessary, being careful not to move closer than the minimum clearances. The minimum clearance to the back wall is 15 inches as measured from the back of the chimney connector, and 32 inches to the side wall as measured from the side of the chimney connector. Refer to Illustration No. 2.

2. Install chimney through ceiling and roof directly above outlet in elbow and accessories per chimney manufacturer's instructions. Chimney must be UL listed 5-inch low heat residential appliance type chimney (all fuel). Before chimney is installed, use a "plumb bob" to assure that chimney is directly above elbow on unit. Refer to typical installation Illustration No. 3.

NOTE: Presently, very little 5-inch chimney is available. If desired use 6 inch with an increaser from 5 inch chimney connector to 6 inch for insertion into chimney at ceiling level.

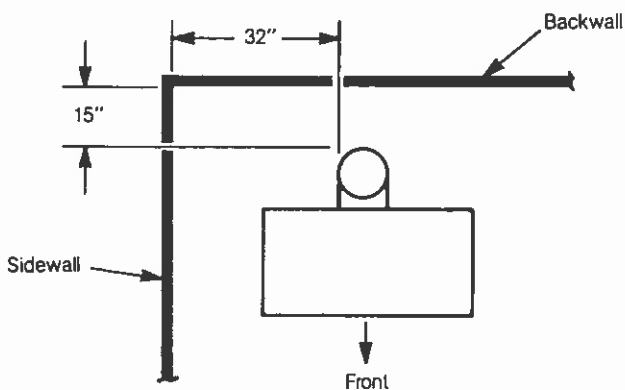


Illustration No. 2

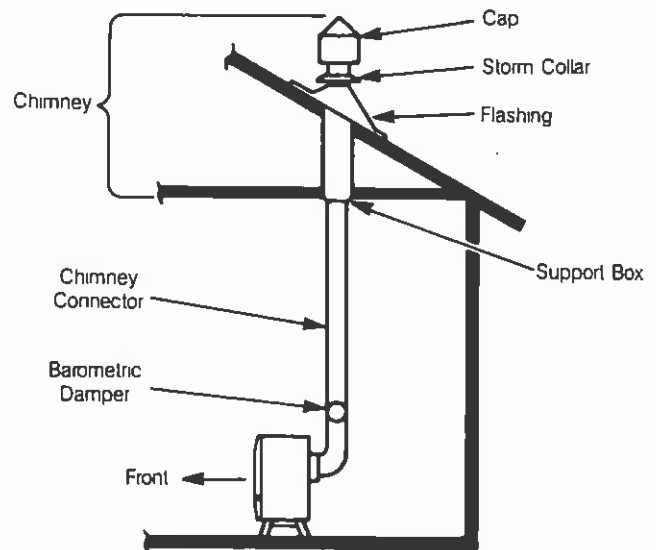


Illustration No. 3

3. A non-combustible floor protector must be installed under the unit. This floor protector must be a minimum of 3/8-inch thick asbestos millboard or equivalent. Check with local building authorities as to what other materials are acceptable. Presently there are several manufacturers of UL recognized floor protectors which as part of their recognition must be equal to or better than 3/8-inch asbestos millboard. The floor protector must extend a minimum of 16 inches beyond the front opening, 8 inches beyond the sides of the unit, and 8 inches beyond the back of the chimney connector. Refer to Illustration No. 4. Mark the floor at the front and sides of the base. Mark the floor at the back of the chimney connector. A framing square or "plumb bob" may be used to assure that the marks are directly below the base and chimney connector. Then, mark the floor beyond each mark as above specified. Draw lines parallel to the back wall at the front and back marks, and perpendicular to the back wall at the side marks. The size of the floor protector should be equal in size to the rectangle drawn on the floor.

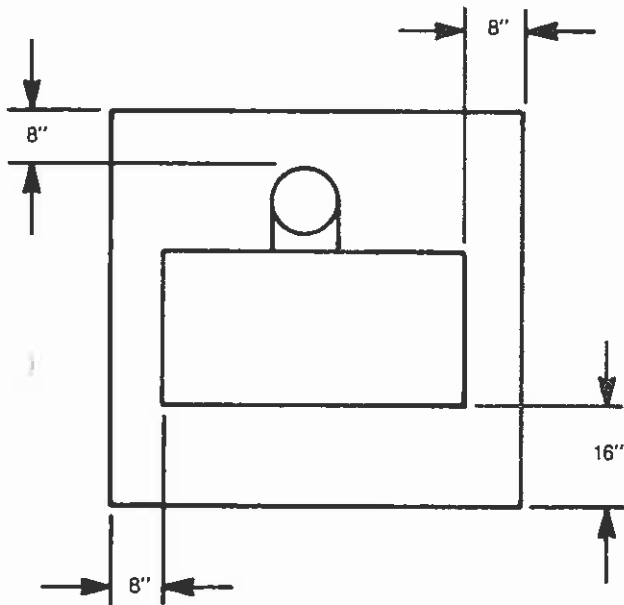


Illustration No. 4

4. Remove unit and install floor protector.
5. Place unit on floor protector.
6. Slide one section of chimney connector up into the chimney several inches. Then place another section of chimney connector on top of the elbow on unit. Be sure to position seam towards back for aesthetics. Chimney connector must be a minimum of 28-gauge black or blued steel, 5 inches in diameter. *NOTE: Increaser will have to be used if 6-inch chimney is installed. The State of Massachusetts requires that 22-gauge chimney connector be used.*
7. Slide upper section of chimney connector down onto lower section of chimney connector. The upper section of chimney connector should extend up into the chimney a minimum of 2 or 3 inches.
8. Check that all the clearances are still within the allowable.
9. Secure adjoining sections of chimney connector to each other with three stainless steel sheet metal screws equally spaced around each joint. Do not secure chimney connector to chimney.
10. Secure chimney connector to flue outlet of unit with two self-tapping machine screws.
11. Read Operating and Maintenance Instructions.

WARNING

This room heater is a heat producing appliance and may cause severe burns if touched. Keep children away. Do no overfire. If any portion of unit or chimney connector starts to glow, you are overfiring.

OPERATING AND MAINTENANCE INSTRUCTIONS

IMPORTANT: READ THESE INSTRUCTIONS BEFORE STARTING YOUR FRANCO-BELGE COAL STOVE

1. Peel off blue plastic on cook surface (on some models) and white tape off glass.
 2. Set hopper in firebox to highest position. Use anthracite pea-size coal.
 3. Turn thermostat dial to number 8.
 4. Lay crumpled newspaper in firebox. Ignite.
 5. First six fires should be small in order to cure the cast iron parts.
- Caution: Never use Gasoline, Gasoline Type Lantern Fuel, Kerosene, Charcoal Lighter Fluid, or similar liquids to start or "freshen up" a fire in this heater. Keep all such liquids well away from the heater when it is in use.**
6. If smoke does not go up chimney it is because chimney is cold. Burn more paper until chimney heats up and begins to draw.
 7. Completely fill firebox with kindling on top of paper.
 8. Light paper and close door.
 9. When wood ignites well, open door and add more kindling—kindling must be heavy enough so as not to burn out before it can ignite coal. (fill fire bin with kindling).
 10. After wood ignites well, add about two (2) coffee cans of coal, through top lid, onto fire.
 11. Wait till coal begins to ignite and then add about the same amount of coal.
 12. When coal begins to burn well (glow red), then fill hopper with coal from top lid. Make sure lid closes well after filling.
 13. Wait 5 to 10 minutes after filling hopper, until red coals can be seen, and close thermostat to desired heat setting—between 2 and 6.
 14. **Caution: Do not use Charcoal. Only Anthracite Coal may be burned. Open decorative top. Then, open the top cover. Add fuel and close top cover and decorative top. The firebox may be filled to the bottom of the top feed opening.**
 15. **Caution: Doors must be closed while the unit is in operation except when adding fuel.**
 16. Rake Stove at least three times in 24-hour period. Four times if Stove is being burned at high setting.
Raking and Banking Procedure:
 - a. Slide shaker arm to raking position.
 - b. Insert poker and slide (rake) back and forth vigorously side to side with poker holes open.
 - c. Repeat this procedure in each raking opening.
 - d. Shake coal bed after raking. Bring coal down from hopper to cover glowing coals.
 17. The size of the fire can be controlled by the use of the thermostat on right side of the unit (in the rear on model 10-1275RU). By closing down the thermostat, you will have a smaller fire that will last a longer time. Normal thermostat operating range is between the "2" and "6" position. Do not operate above the "6" position for more than two (2) hours.
 18. A shaker grate is provided in the base of the firebox. It is important that the shaker grate be shaken on a regular basis. This will allow air to move upward through the fuel bed while burning. This is done by first moving the sliding grate to the side, exposing poker holes. After using poker to loosen coal bed, insert hook of tool provided into hole in handle of shaker grate. Gently shake grate from side to side. After shaking is completed, close sliding grate so as to prevent excess air from entering unit.
 19. To dump ash and fire or to empty stove insert hook of tool provided into hole in stem of shaker grate. Push downward and pull and shake. Thus, dumping coal and fire.
 20. If fire goes out—clean out and repeat start up procedure.
 21. When stove is to be untended for extended period (bedtime, etc.) repeat step 16 and turn thermostat to lower setting (1 to 3 as conditions require).
 22. To clean glass, open door and place aluminum foil over opening (and make seal to prevent fumes from entering room). Allow glass to cool 5 to 10 minutes, then apply glass cleaner or oven cleaner and wipe clean with damp (not cold) cloth.
- *NOTE: Aluminum foil may be used in start up procedure #5 to prevent dirty glass.*

24. Ashes should be removed from the ash pan when cold. Ashes should be placed in a metal container with a tight fitting lid. The closed container of ashes should be placed on a non-combustible floor or on the ground, well away from all combustible materials, pending final disposal. If the ashes are disposed of by burial in soil or otherwise locally dispersed, they should be retained in the closed container until all cinders have thoroughly cooled.
25. Always keep the area around the unit clean and clear of furniture and other objects.
26. When coal is burned fly ash is produced. It can accumulate in elbows and horizontal runs. The chimney connector and chimney should be inspected frequently during the heating season to determine if fly ash has accumulated. Experienced chimney servicing personnel can be consulted to clean the chimney and check for damage within chimney.
27. At the end of the heating season, check the heater thoroughly before using. Remove any soot deposits from the flue gas ducts located on sides and back of the firebox by opening the plates located on back of the heat exchanger.
28. Clean the enamel coated surfaces with a dry or slightly damp cloth. In case of condensation, clean the affected area before they dry.

DO NOT OVERFIRE. IF THE UNIT OR CHIMNEY CONNECTOR STARTS TO GLOW, YOU ARE OVERFIRING.

For more information on using your heater safely, obtain a copy of the National Fire Protection Association publication, "Using Coal and Wood Stoves Safely", NFPA HS-10-1978. The address of the NFPA is 470 Atlantic Avenue, Boston Massachusetts 02210.

CARBON MONOXIDE

Carbon monoxide is a colorless, odorless gas which is very deadly. While carbon monoxide cannot be smelled, however, there are other gases also being produced,

known as aldehydes. These have a distinctive odor described as "sour". Thus, a sour odor coming from your unit indicates that carbon monoxide is being produced and is somehow entering the space around the heater. The first physical symptoms of carbon monoxide poisoning will be a severe headache, dizziness, and possibly an upset stomach. If sour odors are noticed or the above symptoms are noticed, then take the following actions:

1. Immediately open the doors and windows of your home and get some fresh air.
2. Shut down the heater by closing the draft control.
3. After complete shut down, call in a reputable installer or qualified person to determine source of problem.
4. Have problem corrected before burning again.

WEATHER

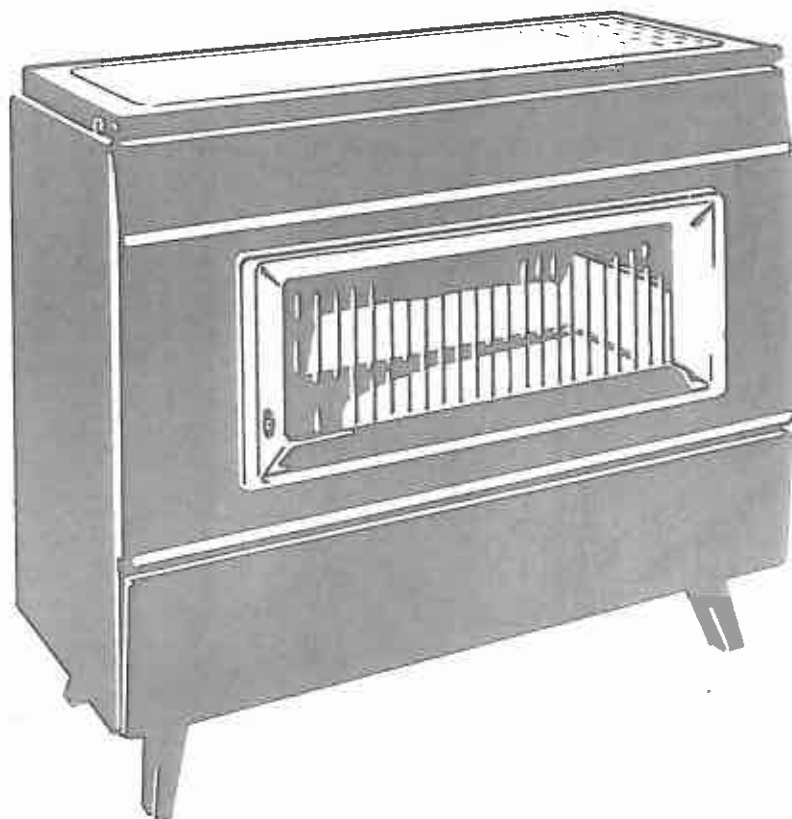
1. **Windy conditions**—Can cause fire to burn too briskly. Set thermostat to lower setting as low as number 1 or 1-1/2 on these days. High winds during the night can cause fire to burn out before morning. Your fire will be mostly ash by morning. This can also happen without wind if thermostat is set too high before retiring.
2. **Low Pressure**—Damp, humid, rain, no wind. With these conditions a coal fire will need more draft. Set thermostat higher.
3. **Downdrafts**—Wind passing down the chimney will cause sulphur odor to escape through air vent on stove. Can usually be corrected by adding chimney cap or calling your chimney builder.

COAL

Use anthracite coal, pea size. A poor grade of coal containing too much shale and rock will burn well for only a few hours and then go out. It can be identified by half burned or unburned pieces of coal in the firebox.

Catalogue de Pièces Détachées

CONVECTEUR CHARBON 10.275



UTILISATION DU CATALOGUE :

Repérer sur les vues éclatées la pièce à commander. Avec le numéro de la pièce, reportez-vous à la nomenclature dans la colonne «N°».

POUR TOUTES COMMANDES DE PIÈCES DÉTACHÉES, INDIQUER :

- 1 - le type de l'appareil
- 2 - la désignation complète de la pièce
- 3 - le code article lorsqu'il est indiqué
- 4 - la teinte lorsqu'il s'agit de pièces émaillées ou peintes
- 5 - pour les pièces fonte, la référence inscrite sur la pièce

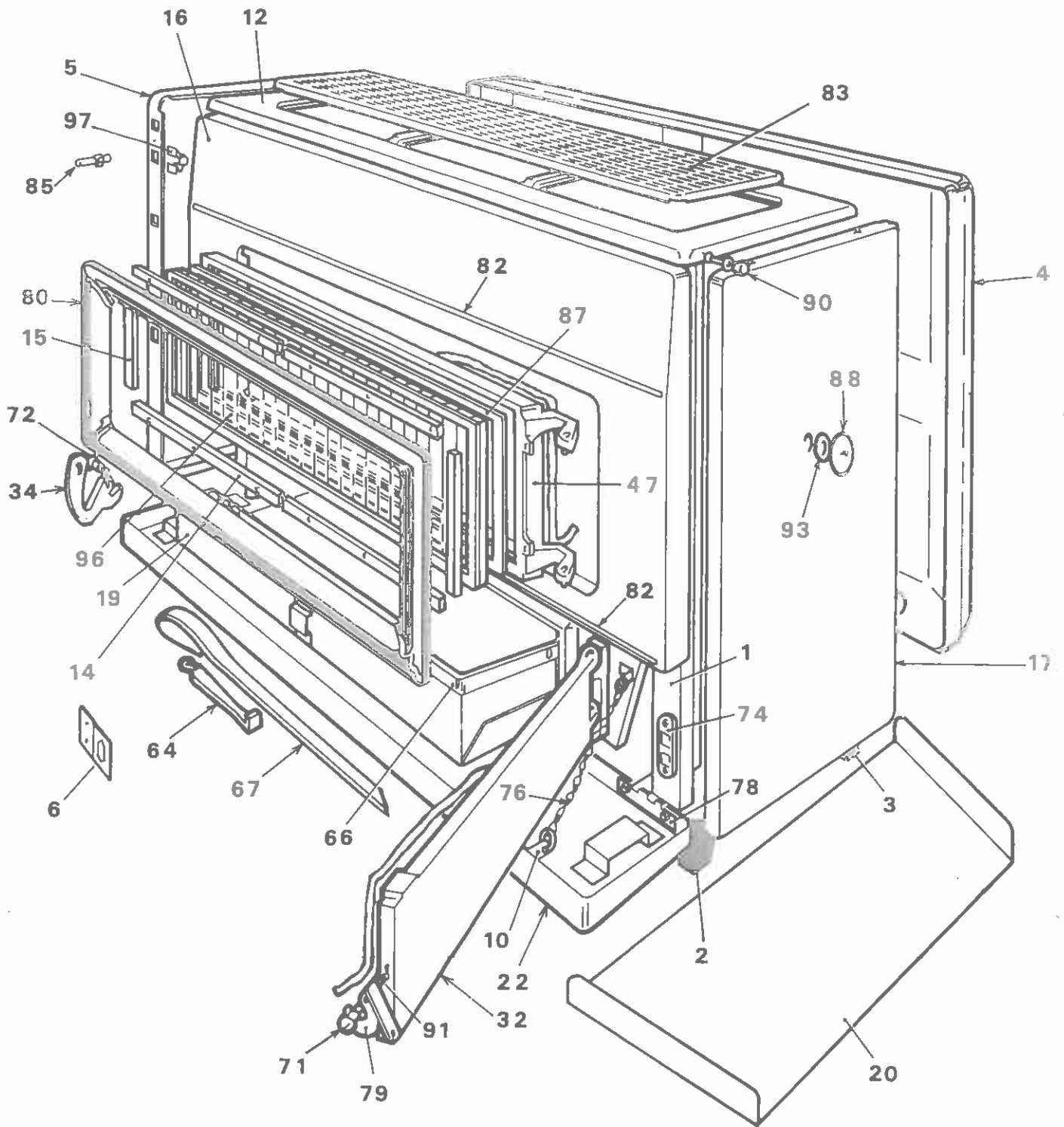
EXEMPLE DE COMMANDE :

CONVECTEUR CHARBON 10.275
Porte de cendrier
Référence inscrite sur la pièce 10.175.11
Code article 301 121

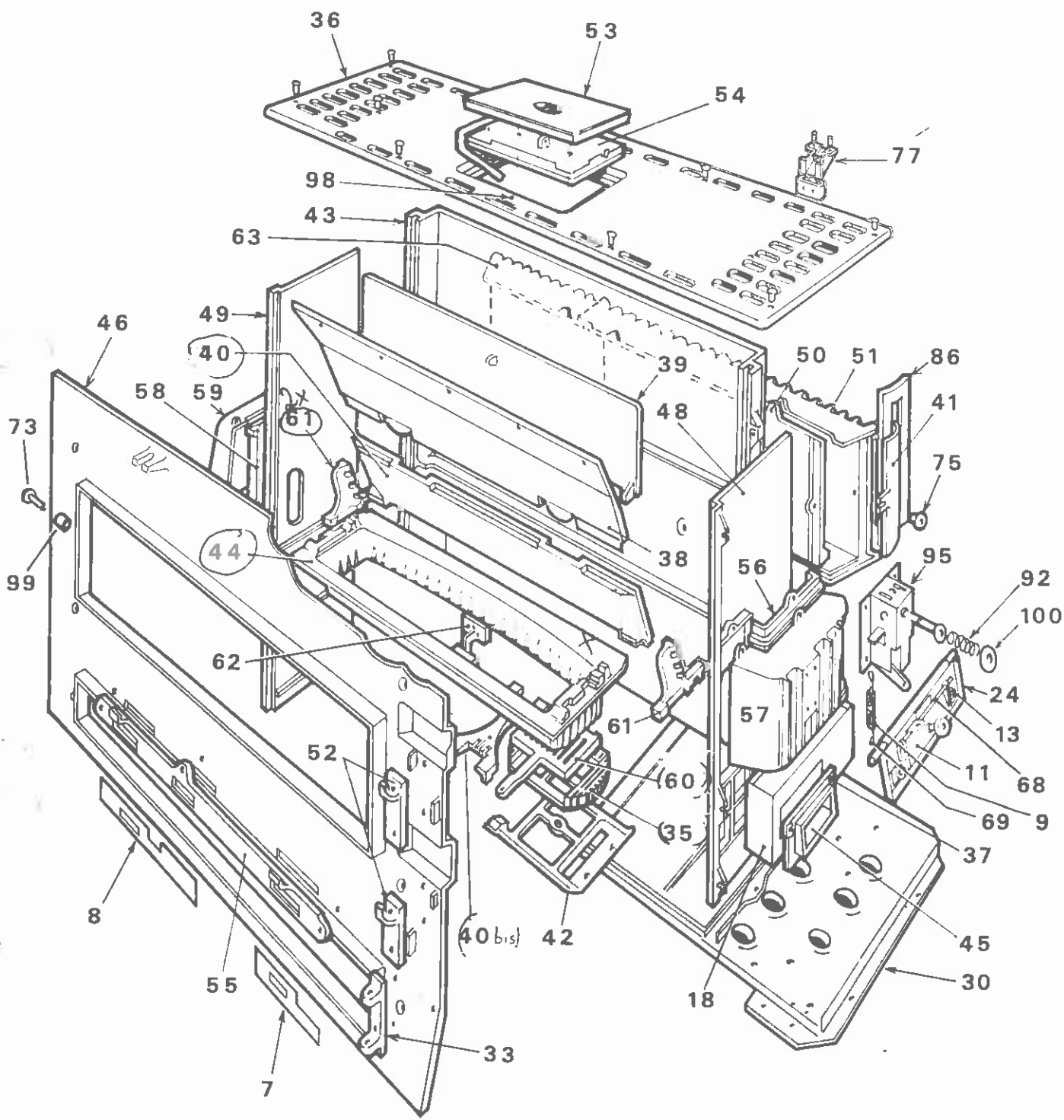


FRANCO BELGE

59660 MERVILLE - Tél. (28) 41-71-59 - R.C. Hazebrouck 57 B 56 - C.A.P. LILLE 17025



SUPER CONVECTEUR



CATALOGUE PIECES DETACHEES CONVECTEUR CHARBON 10.275

PIECES TOLE

N°	Désignation	Code art.
1	Supplément de façade	201206
2	Pied droit	201900
3	Pied gauche	202000
4	Habillage arrière	205309
5	Côté gauche	207705
6	Supplément de côté	207901
7	Glissière de grille	219200
8	Glissière de grille	219201
9	Prolongateur	221100
10	Equerre	227900
11	Registre	242600
12	Couvercle	252707
13	Palier	274700
14	Contre plaque de hublot	276601
15	Contre plaque de hublot	276602
16	Façade	600327
17	Côté droit	607800
18	Conduit de circulation	616102
19	Corps de cendrier	624022
20	Guide cendres	632603
22	Panneau de foyer	652530
24	Clapet d'air	670400

N°	Désignation	Réf. inscrite sur la pièce	Code art.
51	Couvercle récupérateur arrière	10.275.148(A)	314810
52	Gond porte de foyer	10.475.151 (B)	315109
53	Tampon rectangulaire	10.75.158(A)	315804
54	Supplément de tampon	10.75.159	315901
55	Encadrement de glissière grille	10.75.174	317402
56	Récupérateur droit	10.75.188	318801
57	Couvercle récupérateur droit	10.75.189(A)	318901
58	Récupérateur gauche	10.75.190	319001
59	Couvercle récupérateur gauche	10.75.191	319101
60	Grille trappe	10.175R 192	319204
61	Support trémie	10.175.193	319302
62	Support grille arrière	10.75.197	319700
63	Supplément de couvercle de récupérateur arrière	10.275.247	324700
64	Poignée crochet	222.43	808001

ACCESSOIRES

N°	Désignation	Code art.
66	Anse cendrier	400202
67	Fer tisonnier	415500
68	Tige registre coupe tirage	459601
69	Tige thermostat	460201
71	Axe de 16 x 8 x 6	100903
72	Axe de loquet	100915
73	Axe de fermeture	100927
74	Loqueteau saturne	101003
75	Bouton moleté	105104
76	Chainette 19 cm, 2 anneaux	109702
77	Charnière de couvercle avec glissière	109805
78	Charnière en acier cadmié	109806
79	Levier de verrouillage	146250
80	Hublot	137150
	Écusson «FRANCO-BELGE» noir	122802
82	Enjoliveur profilé	123408
83	Supplément de couvercle	175004 654511
85	Goujon rapid	134501
86	Joint d'amiante	142203
87	Joint d'amiante	142219
88	Manette de convecteur	149816
90	Poignée bakélite	158603
91	Ressort 11 x 15	166003
92	Ressort	166008
93	Rondelle amiante 20 x 7 x 1,5	167002
95	Thermostat BM 514	178801
96	Verre réfractaire 190 x 20 (donner nombre)	199302
97	Attache rapid	100602
98	Vis laiton Ø 10.	189107
99	Galet de fermeture	134251
100	Rondelle acier	167301
	Tresse d'amiante Ø 9 (donner longueur)	181502

PIECES FONTE

N°	Désignation	Réf. inscrite sur la pièce	Code art.
30	Dessous droit	10.175.4	300426
	Dessous gauche	10.175.5 (A)	300503
32	Porte de cendrier	10.175.11	301121
33	Gond porte de cendrier	10.175.14	301405
34	Loquet de porte	10.175.15	301516
35	Grille oscillante	10.75.19	301907
36	Dessus	10.175.21	302137
37	Palier	10.75.33	303305
38	Trémie	10.75.49	304905
39	Brique arrière	10.75.51	305105
40	Devant inférieur trémie	10.75.54	305404
40Bis	Supplément de grille	10.75.57	305701
41	Trappe de ramonage	10.75.59	305902
42	Support grille	10.75.61	306104
43	Derrière	10.175.62	306207
44	Grille corbeille	10.75.67	306703
45	Boîte de régulation	10.75.72	307201
46	Façade	10.175.98	309807
47	Porte de foyer	10.275.99	309916
48	Côté droit	10.175.107	310702
49	Côté gauche	10.175.108	310802
50	Récupérateur arrière	10.75.147	314703