

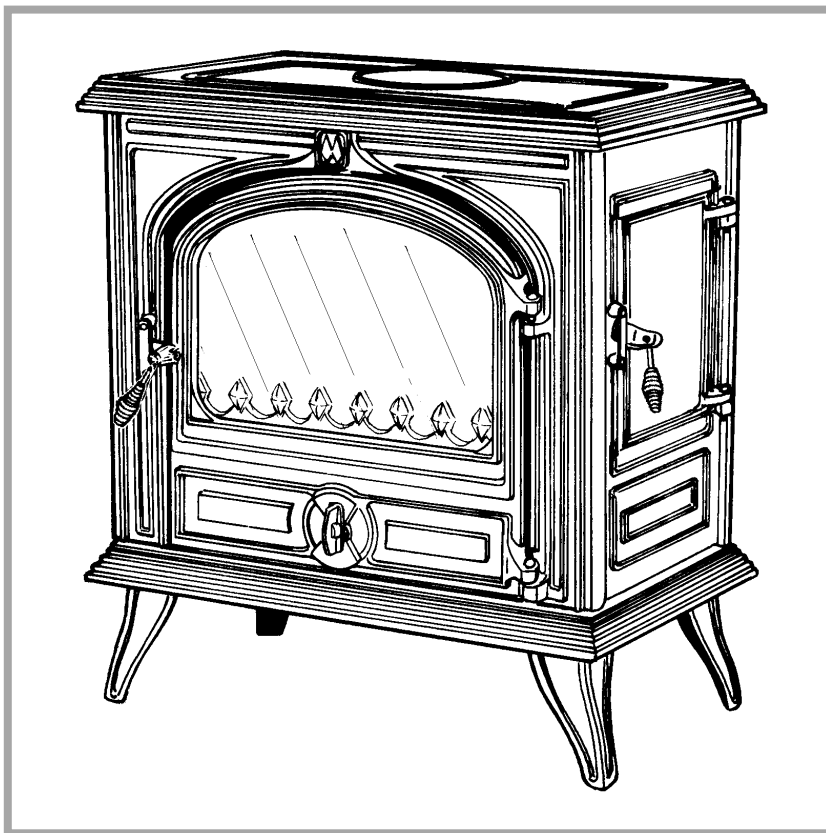
# Franc-comtois

Wood stove

I G B f D - N F D 35-376

**Model : 134 10 08**

Output : 10 kW



Certificat de Garantie

Description

Assembly and installation

Operating instructions

Spare parts

Document n° 701-4GB ~ 16/11/1998

FR

EN



**Technical manual**

to be saved

by the user

for future reference



**FRANCO BELGE**

*STAUB FONDERIE*

SARL with the capital of 6 359 540 €

Head Office Address

2, rue Saint Gilles

68230 TURCKHEIM

RCS Colmar

SIREN 444 881 953

Address

Administration and manufacturing

BP 73

59660 MERVILLE (FRANCE)

Telephone : 00 333 28 43 43 00

Fax : 00 333 28 43 43 99

Subject to modifications.

FRANCO BELGE congratulates you on your choice.  
 FRANCO BELGE, which has been granted the ISO 9001 certification, guarantees the quality of its appliances and is committed to meet its customers’ needs.  
 FRANCO BELGE, which can boast a 75-year experience in the industry of heating devices, uses state-of-the-art technologies to design and manufacture its whole range of products.  
 This document contains instructions on how to install your appliance and make full use of its functions, both for your comfort and safety.

---

## CONTENTS

<b>Product information . . . . . 15</b>	
Package . . . . . 15	Description . . . . . 15
General characteristics . . . . . 15	Principle of operation . . . . . 15
<b>Installation instructions . . . . . 16</b>	
The room. . . . . 16	Smoke exit at rear . . . . . 17
Flue. . . . . 16	Smoke exit on the top . . . . . 17
Connection to flue. . . . . 16	Fitting of the handle . . . . . 17
Mounting the cast iron legs and the bottom heat shield . . . . . 16	Pre-utilisation check. . . . . 18
Assembly of flue spigot and blanking plates. . . . . 17	Chimney maintenance and sweeping . . 18
<b>Instructions for user . . . . . 19</b>	
Fuel. . . . . 19	Cleaning . . . . . 20
Lighting. . . . . 20	Maintenance of the stove . . . . . 20
Control of fire . . . . . 20	Trouble Shooting . . . . . 21
<b>Spare parts. . . . . 22</b>	

# 1. Product information

## 1.1. Package

- 1 package : Stove complete

## 1.2. General characteristics

<b>ref. erence</b> . . . . .	<b>134 10 08</b>
Maximum output . . . . . kW	10
Volume heated . . . . . m <sup>3</sup>	300 to 400
Draught requirement . . . . mm water	1.5 to 2
Grate dimensions:	
- width . . . . . mm	495
- depth . . . . . mm	255
- usable height. . . . . mm	200
Max. log size . . . . . cm	45
Ash pan capacity . . . . . litres	3
Front main door	
- width . . . . . mm	395
- depth . . . . . mm	200
Side main door	
- width . . . . . mm	210
- depth . . . . . mm	210
Net weight . . . . . kgs	115

## 1.3. Description

Stove, **I G B f D** - NF D 35-375

**I** : **I**ntermittent-burning heating appliance.

**G** : Wood burnt on **g**rate

**B** : **W**ood burning stove

**f** : **E**nclosed combustion chamber with refractory brick walls.

**D** : Removable appliance, to be installed near a wall.

- ☒ Wood burnt on grate.
- ☒ Enclosed combustion chamber with cast-iron walls.
- ☒ Detachable flue spigot for rear or top chimney connection.
- ☒ Detachable top for easy handling and cleaning (rear smoke exit only).
- ☒ Main door with a “vitroceramic” glass.
- ☒ Loading door on the right side.
- ☒ Adjustable air controls for controlling the burning rate.
- ☒ Large ash-pan.
- ☒ Optional kit for burning solid smokeless fuels.

## 1.4. Principle of operation

The “Franc-comtois” is designed for operation with the door closed.

Heat is mainly diffused by radiation, through the window and body of the appliance.

Combustion occurs on the grate, with draught entry through the front of the grate, which assists the combustion of volatile materials helping to keep the glass clean during normal operation.

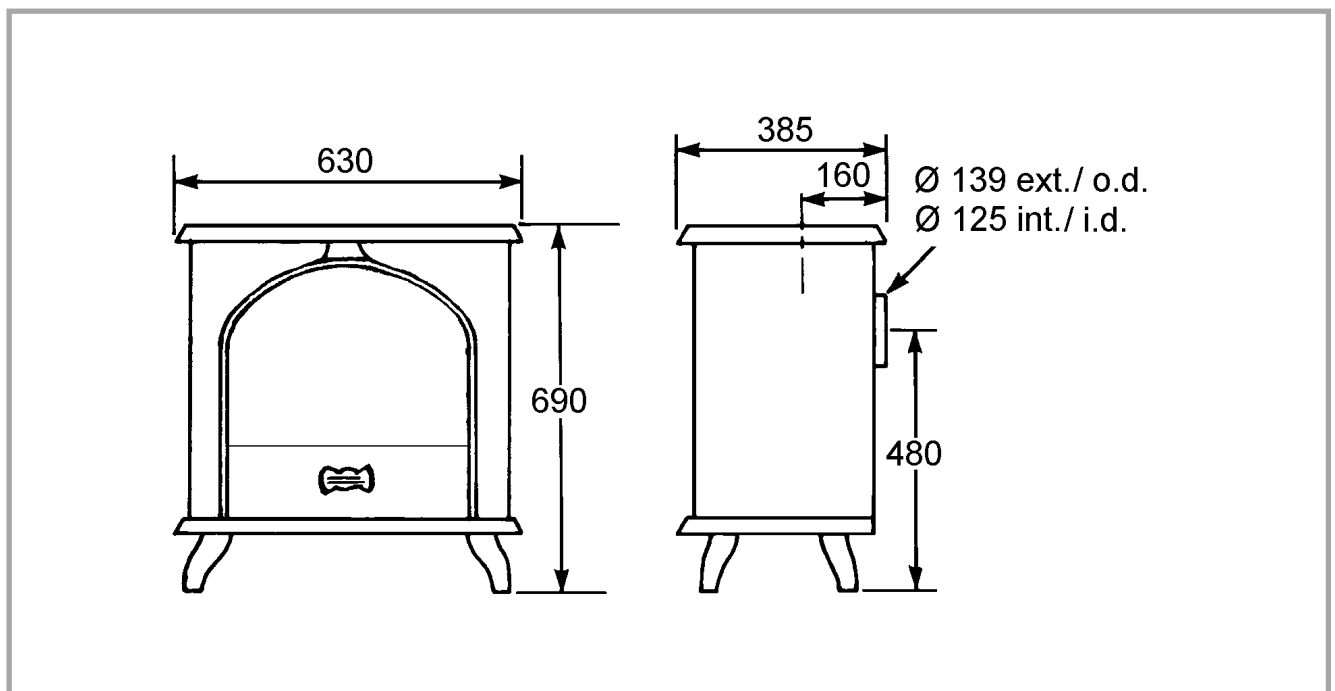


Figure 1 - Dimensions in mm

## 2. Installation instructions

### 2.1. The room

**Ventilation :**

For satisfactory operation with a natural draught, check that sufficient air for combustion is available in the room.

**Chimney position :**

For new chimney installations, select a central position within the building, to provide a good heat distribution around the building.

**Hearth :**

The hearth must be suitable for use with solid fuel burning appliances and must comply with Current Building Regulations. If in doubt, consult your Dealer or local Building Inspector.

**Rear wall and ceiling :**

The appliance must not be positioned close to combustible materials, wall & ceiling surfaces etc., Consult your Dealer or local Building Inspector if in doubt.

### 2.2. Flue

**Existing flue :**

- The flue must be in good condition and must provide sufficient draught.
- The flue must be suitable for the installation of solid fuel burning appliances and comply with Current Building Regulations.
- The flue must be clean. It should be swept to remove soot and dislodge tar deposits.
- The flue must be well insulated. If the flue inner wall surfaces are cold, a good thermal draw is impossible causing condensation problems (tar formation etc) to occur.
- The flue must not be shared with other appliances.
- The recommended minimum flue height is 5 metres.
- If the chimney has any down draught tendency, due to its position in relation to nearby obstacles, then an anti-down draught cowl must be installed on the chimney or the chimney height must be increased.
- If the decompression in the chimney is excessive, a draught stabiliser must be installed.

**Chimney to be built / Flue non-existent :**

- The flue must not be supported by the stove.
- Consult a chimney specialist for advice on suitable flue systems for solid fuel appliances.

### 2.3. Connection to flue

- The stove must be installed as close as possible to the chimney.
- The stove should be connected to the flue by a smoke pipe, approved for installation with combustion products (e.g. stainless steel 1 mm thick, 20g, or vitreous enamel.).
- Pipe diameter must not be less than the appliance spigot diameter.
- The connection can be either vertical or horizontal. For horizontal connections, avoid right angle bends.

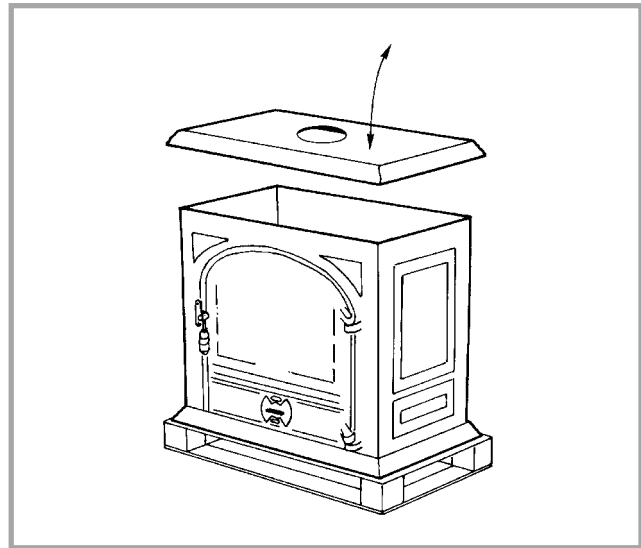


Figure 3 - Removal of cast iron top

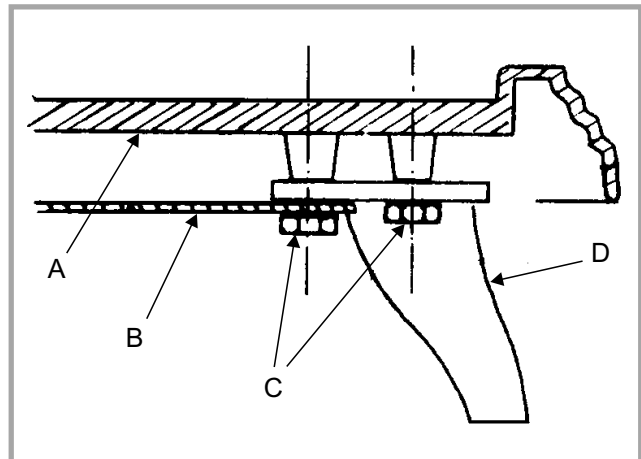


Figure 4 - Installation of legs and lower heat shield

- |                 |          |
|-----------------|----------|
| A : Stove base  | C : Bolt |
| B : Heat shield | D : Leg  |

- The joint between the connection pipe and the stovepipe, and the flue, must be leak tight.
- The connection pipe and any draught stabiliser must have access for cleaning.

### 2.4. Mounting the cast iron legs and the bottom heat shield

To avoid damage during transport, the four legs and the bottom heat shield are not mounted when the stove is shipped from the factory. These parts should be fitted carefully to avoid damaging the appliance.

Remove the cast iron top from the stove (fig. 3), unscrew the two bolts securing the stove to the pallet and remove the stove from the pallet.

Tip the stove towards the rear and place it gently on the floor on 2 timber battens.

Fix the legs and the shield using the bolts provided (fig. 4).

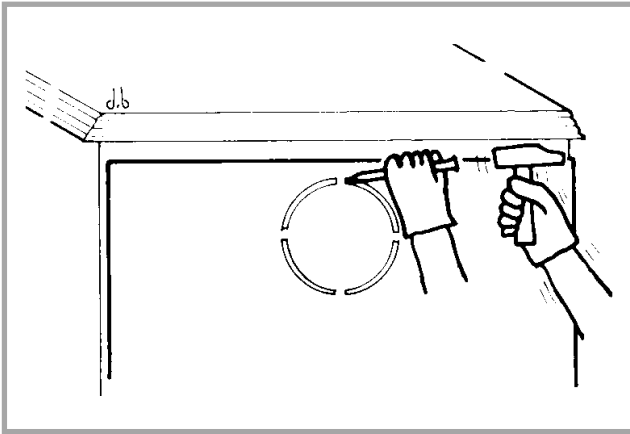


Figure 5 - Removing blanking plate on rear heat shield

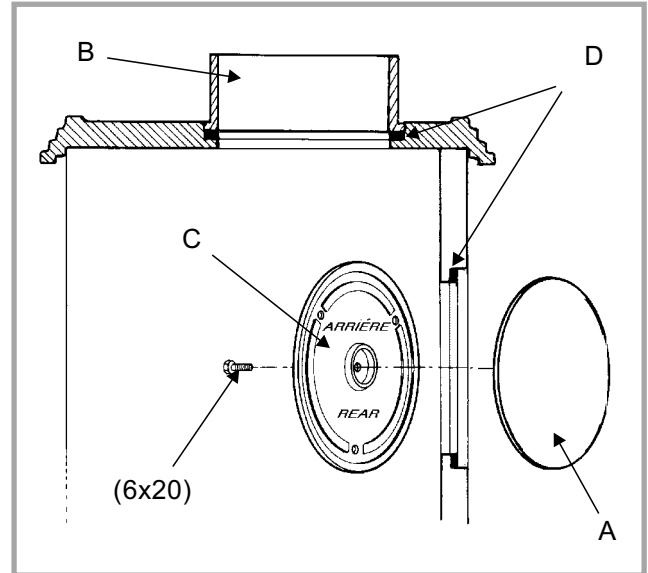


Figure 7 - Smoke exit from top

- A : Blanking plate
- B : Flue collar
- C : Clamp
- D : Ceramic rope

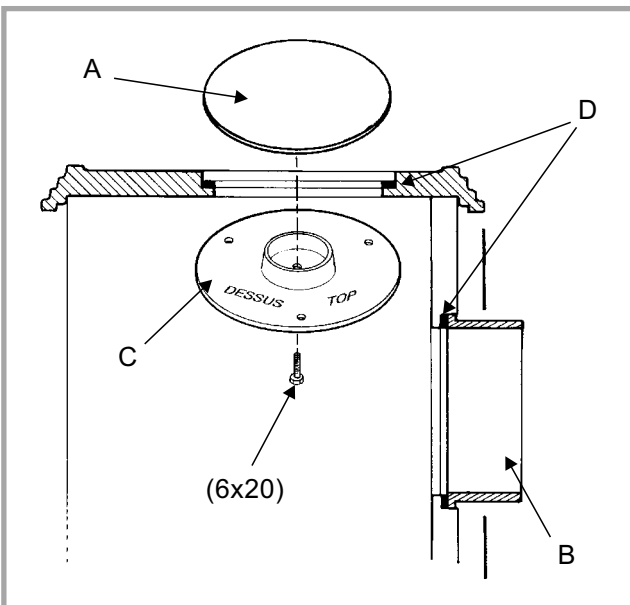


Figure 6 - Smoke exit at rear

- A : Blanking plate
- B : Flue collar
- C : Clamp
- D : Ceramic rope

## 2.5 Assembly of flue spigot and blanking plates

The stove is supplied with a connection flue spigot with an inner Ø of 125 mm or external Ø 139 mm.

### 2.5.1. Smoke exit at rear

Figure 6

- Check that the two blanking plates (# A & C) are fixed to the cast iron top.
- Lift the cast iron top from the stove (fig. 3).
- Remove the internal baffle (# 56, page 23) and the rear heat shield (# 27, page 23).
- Fix the sealing rope (# D) in the groove and fit the flue spigot (# B), ensuring there is a good seal.
- Replace the internal baffle and re-fit the cast iron top.
- Remove the cut-out in the rear heat shield (fig. ) and re-fit.

### 2.5.2. Smoke exit on the top

Figure 7

- Lift the cast iron top from the stove (fig. 3).
- Remove the two blanking plates (# A & C).
- Fit the sealing rope (# D) in the groove and attach the flue spigot (# B) using the three bolts and washers supplied.
- Remove the internal baffle (# 56, page 23) and the rear heat shield (# 27, page 23).
- Position the sealing rope (# D) in the groove on the rear aperture of the stove and fit the two blanking plates (# A & C).
- Replace the internal baffle and the cast iron top.

## 2.6. Fitting of the handle

In order to avoid the damaging of the threading, first put the handle in operating position then screw it into the tapping of the lock (fig. 8).

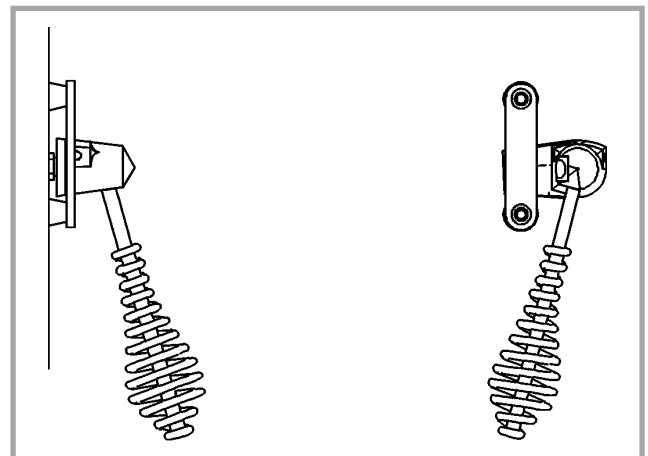


Figure 8 - Fitting of the handle

## 2.7. Pre-utilisation check

Check the condition of the filler seals, that the door closes correctly and that the cast iron top is leak tight, that the window is not damaged, that the smoke passages are not obstructed by pieces of packaging or removed parts. All removable parts (cast iron top, baffle) must be correctly installed.

## 2.8. Chimney maintenance and sweeping

**VERY IMPORTANT !** : To avoid any incident (chimney fire, etc...), regular maintenance should be carried out. If the stove is regularly used, the chimney should be swept several times per year, together with the stovepipe connection section. Chimney condition should be checked at least once per year.

### 3. Instructions for user

#### 3.1. Fuel

Recommended fuel : **Wood**

- Use hard wood logs, which have been cut for at least two years and stored, under shelter.
- Hardwood has a higher calorific value per cu metre (oak, ash, maple, birch, elm, beech, etc.).
- Large logs must be split and cut to a usable length, before being stored in a sheltered and ventilated place.

Not recommended as fuel :

- “green wood”. Green or damp wood reduces stove efficiency and soils the glass, the internal walls and the flue (soot, tar, etc.).
- “used timbers”. Burning treated wood (railway sleepers, telegraph poles, offcuts of plywood or chip board, pallets, etc.) quickly clogs the flue ways (soot, tar, etc.), pollutes the environment (pollution and smell, etc.) and cause the fire to burn too quickly and overheat.

“Green wood” and “recovered wood” can eventually cause a chimney fire.

Prohibited fuel : Any form of bituminous coal or petroleum based coke.

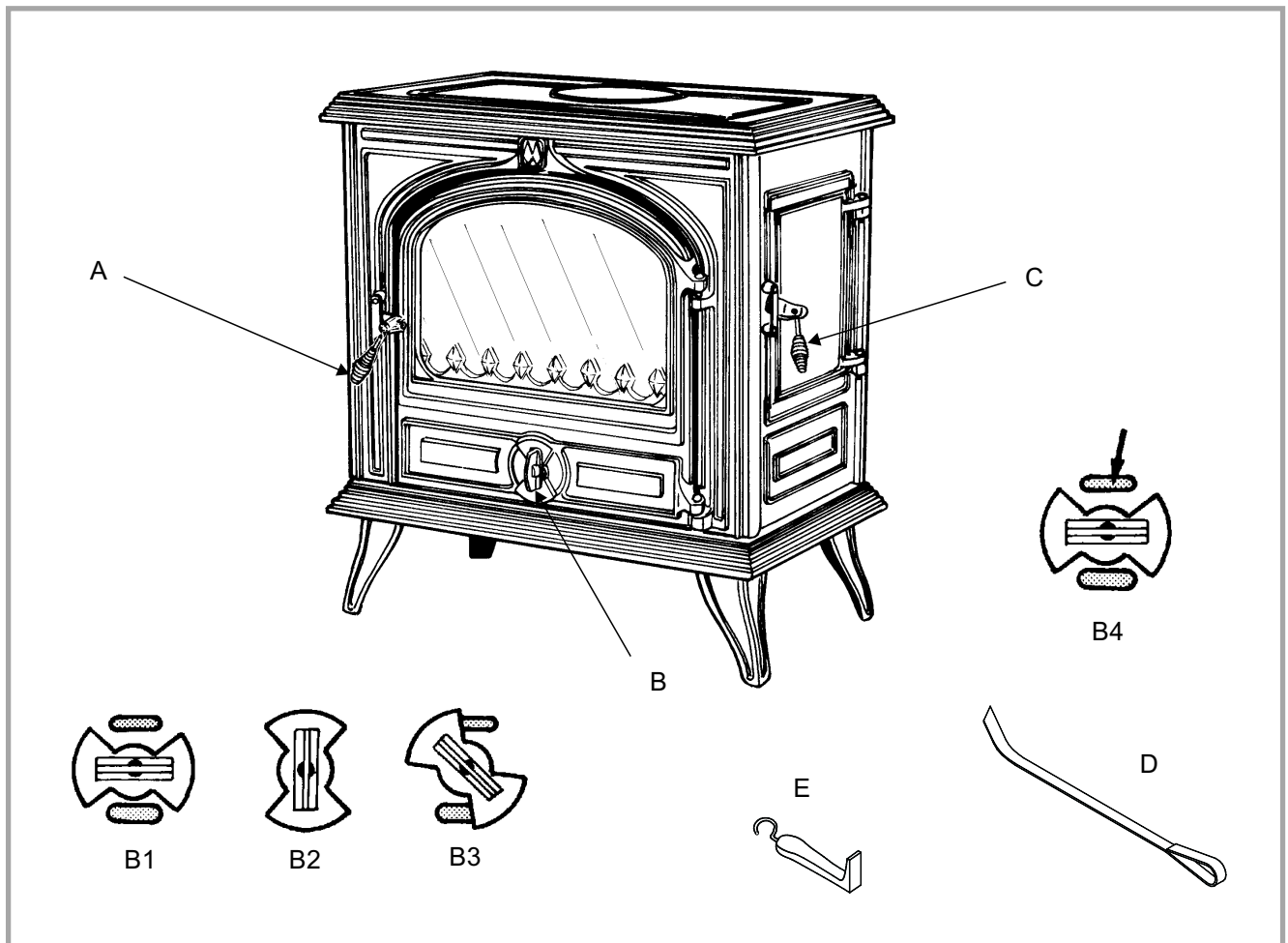


Figure 9 - Operating devices

- A** : Opening the main door
- B** : Draught control
- B1** : Lighting position
- B2** : Close position
- B3** : Normal position

- B4** : De-ashing
  - Insert the poker into the upper hole
- C** : Opening the loading door
- D** : De-ashing tool
- E** : Tool

### 3.2. Lighting

- Open the lower spin wheel.
- Place firelighters (or rolled newspaper and kindling wood) on the grate and place two or three small logs on top of the firelighters.
- Light the firelighters or paper and close the appliance door.
- When the fire is burning fairly fiercely, add further logs (max. diameter 10 cms).
- Further fuel should not be added if wood is smoking.

When lighting up for the first time, the fire should be built up gradually, to allow the components to expand and set without shock.

Note : When the fire is lit for the first time, the stove may give off fumes from the new paint. This is normal but ensure the room is well ventilated during the first few hours operation.

Similarly, the window can become cloudy by the evaporation of the water in the refractory bricks.

### 3.3. Control of fire

The stove must operate with the **door closed and the cast iron top correctly installed**. Burning rate is controlled by the draught flap (bottom spin wheel).

To load fuel, the door should be opened slowly, avoiding a sudden rush of intake air, so that smoke does not escape into the room.

For a briskly burning fire, there should always be at least two logs in the grate. The fire will burn better if there are several logs (diameter 7.5 to 10 cms).

For a slower burning fire (for example, at night), select larger logs.

### 3.4. Cleaning

Remove ash until glowing ashes start falling into the pan

Remove ashes daily, and never allow ash in the ash compartment to touch the underside of the grate. Failure to observe this instruction will cause premature wear to the grate and other components.

Empty the ashes taking all the usual precautions for handling glowing ashes

### 3.5. Maintenance of the stove

▣ The stove must be regularly cleaned

▣ Remove all deposits from the combustion chamber and clean the grate area

▣ The vitro ceramic glass can only be cleaned using a soft cloth and stove glass cleaner, available from your Franco Belge Dealer. **DO NOT USE ABRASIVES**

▣ The vitro ceramic glass resists a temperature of 750°C. If the glass should be broken, it is recommended that only an original factory replacement should be fitted.

▣ All covering and finishing panels can be rubbed with a soft brush, dry, or wiped over with a slightly damp cloth. In the event of condensation or accidentally splashing water on the stove, clean the areas concerned before they dry.

Caution ! : The appearance of cracks when burning the enamelled units is quite usual and tends to disappear when the appliance is cooling down. It should not be considered as a defect but rather as a patina of the enamel which does not affect its quality nor its service ability.

This crackling is more apparent with the blue enamel than with the brown and green.



### 3.6. Trouble Shooting



: This sign means that you should asked for a qualified engineer to do the work.

<i>Situation</i>	<b>cause</b>	- Action
<i>Fire difficult to start Fire goes out</i>	<b>Wood green, too damp or poor quality.</b>	- Use the recommended fuel.
	<b>Logs are too big.</b>	- To light the fire, use small, very dry twigs. To maintain the fire, use split logs.
	<b>Air starvation.</b>	- Open lower spin wheel and top air control lever.
	<b>Insufficient draught.</b> <input checked="" type="checkbox"/>	- Check that the flue is not obstructed, sweep it if necessary - Seek advice from a chimney specialist.
<i>Fire burns too quickly.</i>	<b>Too much draught.</b>	- Ensure that the lower spin wheel is closed - Partially close the top air control lever.
	<b>Excessive draw.</b> <input checked="" type="checkbox"/>	- Install a draught stabiliser. Consult your Dealer.
	<b>Poor quality wood.</b>	- Do not continuously burn small wood, sticks, bundles, carpentry offcuts (plywood, pallets), etc.
<i>Smokes when lighting up.</i>	<b>Flue duct is cold.</b>	- Burn paper and kindling wood to increase heat.
	<b>Room is in decompression.</b>	- In houses equipped with mechanical ventilation, partly open a window until the fire is well established.
<i>Smokes while burning.</i>	<b>Draught is insufficien.</b> <input checked="" type="checkbox"/>	- Consult a chimney specialist. - Check that the flue is not obstructed, sweep if necessary.
	<b>Down draught.</b> <input checked="" type="checkbox"/>	- Install an anti-down draught cowl. Consult your Dealer.
	<b>Room is in decompression.</b> <input checked="" type="checkbox"/>	- In houses equipped with Mechanical Ventilation, an outside air intake must be installed for the chimney.
<i>Low heat output.</i>	<b>Incorrect Fuels.</b>	- Use the recommended fuel.

## 4. Spare parts

When ordering spare parts, specify the stove type and serial number, including the colour index (on the guarantee or identification plate), the name of the part and the part number.

Example : “Franc-comtois” wood stove,  
ref.: 134 10 08 L, top 302141 77.

A = 134 10 08 Y    B = 134 10 08 L

N°	Code	Description	Type	A	B	Qty
1	100956	Axle		A	B	02
2	110405	Hinge pin	6x35	A	B	02
4	134749	Pin	4x20	A	B	02
5	142301	Adhesive rope		A	B	0,80 m
6	158541	Handle		A	B	02
7	161025	Touch-up paint	(L)		B	01
8	162240	Descriptive plate		A	B	01
9	166003	Spring	11x15	A	B	01
12	181614	Ceramic rope	d. 9,5 mm	A	B	0,87 m
13	181615	Ceramic rope	Ø 12	A	B	3,14 m
14	181604	Ceramic rope	10x4	A	B	1 m
15	188779	Ceramic glass		A	B	01
16	189103	Screw	27x8x6	A	B	01
27	205330	Back panel		A	B	01
28	221200	66 Striking plate		A	B	02
29	224022	Ash-pan		A	B	01
32	259015	Fixing plate		A	B	04
33	260537	Heat shield		A	B	01
34	262307	Heat shield			B	01
35	300105	59 B.L or F.R.leg.		A		02
35	300105	77 B.L or F.R.leg.			B	02
36	300217	59 B.R. or F.L. leg		A		02
36	300217	77 B.R. or F.L. leg			B	02
37	300455	60 Base		A		01
37	300455	77 Base			B	01
38	301515	66 Door lock		A	B	02
39	301742	59 Air damper		A		01
39	301742	77 Air damper			B	01
40	302141	59 Top plate		A		01
40	302141	77 Top plate			B	01
41	303510	59 Loading door		A		01
41	303510	77 Loading door			B	01
42	303718	59 Blanking plate		A		01
42	303718	77 Blanking plate			B	01
43	303827	59 Flue collar	Ø 139	A		01
43	303827	77 Flue collar	Ø 139		B	01
44	305009	Wall		A	B	01
45	305114	Back wall		A	B	01
46	305211	Wall		A	B	01
47	306215	Back wall		A	B	01
48	307416	Fuel retainer		A	B	01
49	309215	Wood grate		A	B	01
50	309825	59 Front plate		A		01
50	309825	77 Front plate			B	01
51	309964	59 Main door		A		01
51	309964	77 Main door			B	01
51	988798	Complete door		A		01
51	988800	Complete door			B	01
52	310721	59 R. side panel		A		01
52	310721	77 R. side panel			B	01
53	310811	59 L. side panel		A		01
53	310811	77 L. side panel			B	01
54	314607	Inner door		A	B	01
55	319707	Grate support		A	B	01
56	323210	Flue baffle		A	B	01
57	327801	Clamp		A	B	01
58	415504	60 Poker		A	B	01
60	808001	60 Hand tool		A	B	01
61	110404	Hinge pin	6x30	A	B	02

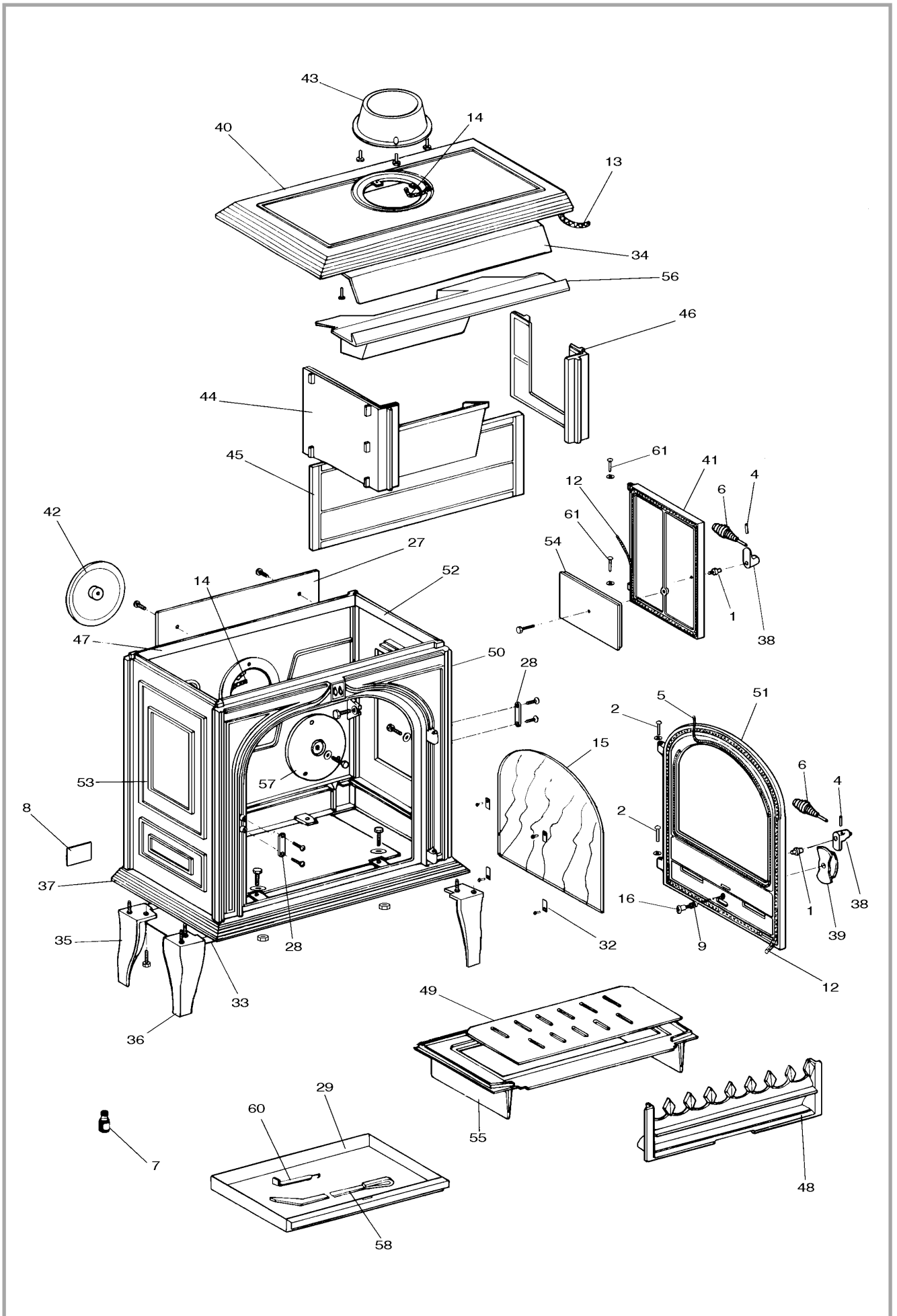


Figure 10 - Stove - exploded view



## ☞ *Guarantee certificate* ☞

### ☞ **Legal guarantee**

The specifications, dimensions and information shown on our documents are provided for information purposes only and under no circumstances are binding upon the vendor.

With the aim of constantly improving our equipment, all modifications considered as necessary by our departments may be made without notice.

The provisions of the present guarantee certificate are not excluding or limiting the owner of the equipment's rights, concerning the legal guarantee regarding faults or hidden vices which applies in all circumstances, in the conditions detailed in articles 1641 and following of the civil code, and in the country in which the equipment was purchased.

### ☞ **Contractual guarantee**

Our equipment is guaranteed against faults and hidden vices subject to the following conditions:

- 1) Installation and adjustment of the device by a professional installer.
- 2) Observance of the instructions provided in our technical documents and our installation/adjustment instructions.
- 3) The installation, use and maintenance of the device carried out in conformity with the applicable standards and legislation, and with the indications provided in the technical instructions accompanying the device.

This guarantee covers the replacement, in our factory, of parts recognised as being defective from the outset by

our "Guarantee Inspection" Department. Carriage and labour is at the user's cost. Moreover, if the repair or replacement of parts covered by the guarantee is found to be too costly vis-à-vis the price of the appliance, the decision to replace or repair the appliance will be taken by the vendor.

Our guarantee is for 2 (two) years for all appliances, with the exception of closed combustion fireplace and inserts for which our guarantee is 5 (five) years excluding the following:

- 1) Indicator lights, fuses, electrical elements and fans.
- 2) Parts subject to wear or in contact with high temperatures namely: soles and burner grills, bottom plates baffles, ash pans, paintwork and surface treatments for decorative parts. Also excluded from this guarantee are seals and windows.
- 3) Any damage which may result from the use of the appliance with a fuel other than that stipulated in our instructions.
- 4) Damage occurring to parts caused by elements outside the appliance (down draught, storm damage, damp, abnormal pressure or vacuum, heat shocks, etc.).
- 5) Damage to electrical parts caused by plugging in and using the appliance on a mains system, the voltage of which (measured at the entrance to the appliance) is 10% above or below the nominal voltage of 220 V.

### ☞ **Exclusion of liability**

In the case of a product manufactured at the client's request, under no circumstances may we, as a subcontractor, be considered liable vis-a-vis the client or third parties for defects arising from the installation or a design fault with the item in question.

☒ Name and address of installer : _____ _____
☎ Téléphone :
☒ Name and address of customer : _____ _____
Date of installation : _____ / _____ / _____
Model of the appliance : <input type="checkbox"/> 134 10 08
Color : <input checked="" type="checkbox"/> Y <input type="checkbox"/> L
Serial number :
<p>☒ This certificate has to be completed and kept carefully.</p> <p>In case of claims, send a copy of this to :</p> <p><b>STAUB FONDERIE, BP 73, 59660 MERVILLE, FRANCE.</b></p>