
Basque

Wood stove

DIN EN 13240 : 2005-10

Model : 134 14 02

Output : 13,5 kW



Description of the appliance

Installation instructions

Operating instructions

Spare parts

Warranty certificate

Document n° 1263-8

17/10/2012



Technical manual

to be saved

by the user

for future reference

BOUTIQUES DU FEU
Franco Belge

Parc d'activités de la Verte Rue

Allée des Prêles

59270 BAILLEUL

Tél. : 03 28 40 32 50

Subject to modifications

FRANCO BELGE congratulates you on your choice.
FRANCO BELGE, guarantees the quality of its appliances and is committed to meet its customers' needs.
FRANCO BELGE, which can boast a 80-year experience in the industry of heating devices, uses state-of-the-art technologies to design and manufacture its whole range of products.
This document contains instructions on how to install your appliance and make full use of its functions, both for your comfort and safety.

This appliance is meant to burn wood safely
WARNING
Incorrectly installed, this appliance can be dangerous and possibly cause serious
We recommend that you engage the services of a professional engineer for its installation and the regular maintenance requirements

CONTENTS

Description of the unit	p. 3
Package	p. 3
Specifications	p. 3
Appliance description	p. 3
Operating principle	p. 4
Installation instructions.	p. 5
Warning to the user	p. 5
Le local d'implantation	p. 5
Adjusting legs	p. 5
Mounting the flue collar	p. 6
Flue	p. 6
Chimney connector	p. 6
Flue baffle	p. 7
Flue baffle mounting	p. 7
Access to the fans	p. 7
Electrical connexion	p. 7
Pre-utilisation check	p. 8
Maintenance of the Chimney	p. 8
Instructions for user.	p. 9
Fuel	p. 9
Lighting	p. 9
Air convection principle	p. 10
Operating procedur	p. 10
Door closing pressur	p. 10
De-ashing	p. 10
Cleaning of the hearth	p. 10
Maintenance of the Chimney	p. 10
Conseils importants	p. 11
Trouble shooting	p. 11
Spare parts	p. 12

1. Description of the unit

1.1. Package

- 1 package : Stove

1.2. Specifications

Model	134 14 02
Nominal heat output kW	13,5
Firebox draught at maximum rate . . Pa	12
Heated volume m ³	425
Hearth dimensions	
- Width mm	650
- Depth mm	260
- Height mm	340
Logs dimensions	
- Length maxi. cm	70
Ash pan capacity litre	2,5
Weight. kg	186
Flue mean gas temperature °C	382
Dust of emission mg/Nm ³	78
- Efficiency. %	72
- Co (13% O ₂) %	0,26

Fans :	
- Voltage (~ 50 Hz) V	230
- Electrical power consumed W	24

1.3. Appliance description

Wood stove, in conformity with DIN EN 13240 : 2005-10

- Intermittent-burning heating appliance.
- The loading door with a side opening is equipped with a “vitroc ceramic” glass resisting at temperatures up to 750 °C, also acts as a fire guard.
- Two fans with automatic start to accelerate the hot air convection.
- Combustion speed regulated with an air flap situated on the main door.
- Draught flue damper with a frontal control.

Note : the performances indicated result from tests carried out in accordance with standard DIN EN 13240 : 2005-10, with logs 33 cm length, depression of 12 Pa, loading of 4,5 kg and primary air inlet of 100 %.

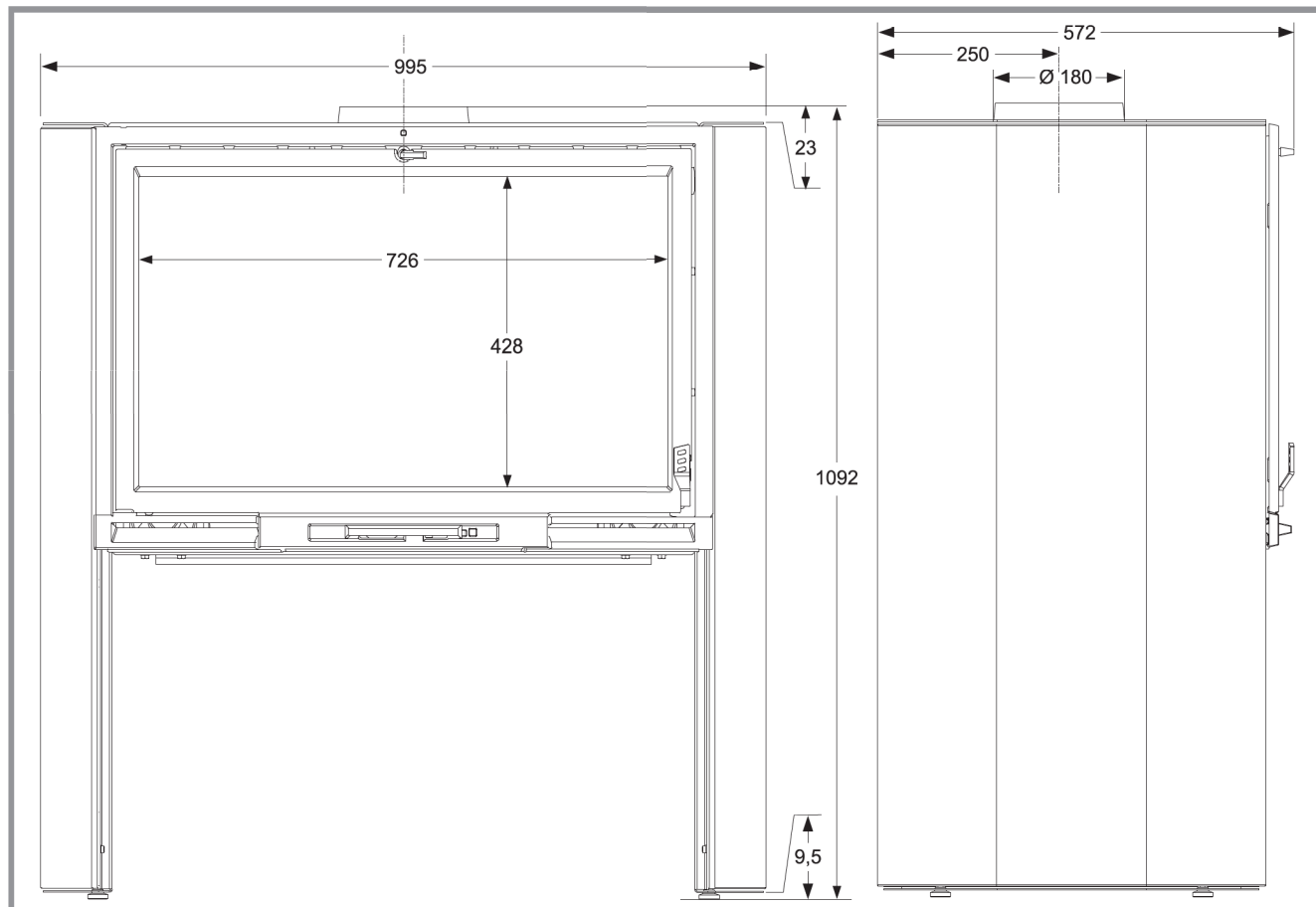


Figure 1 - Dimensions in mm

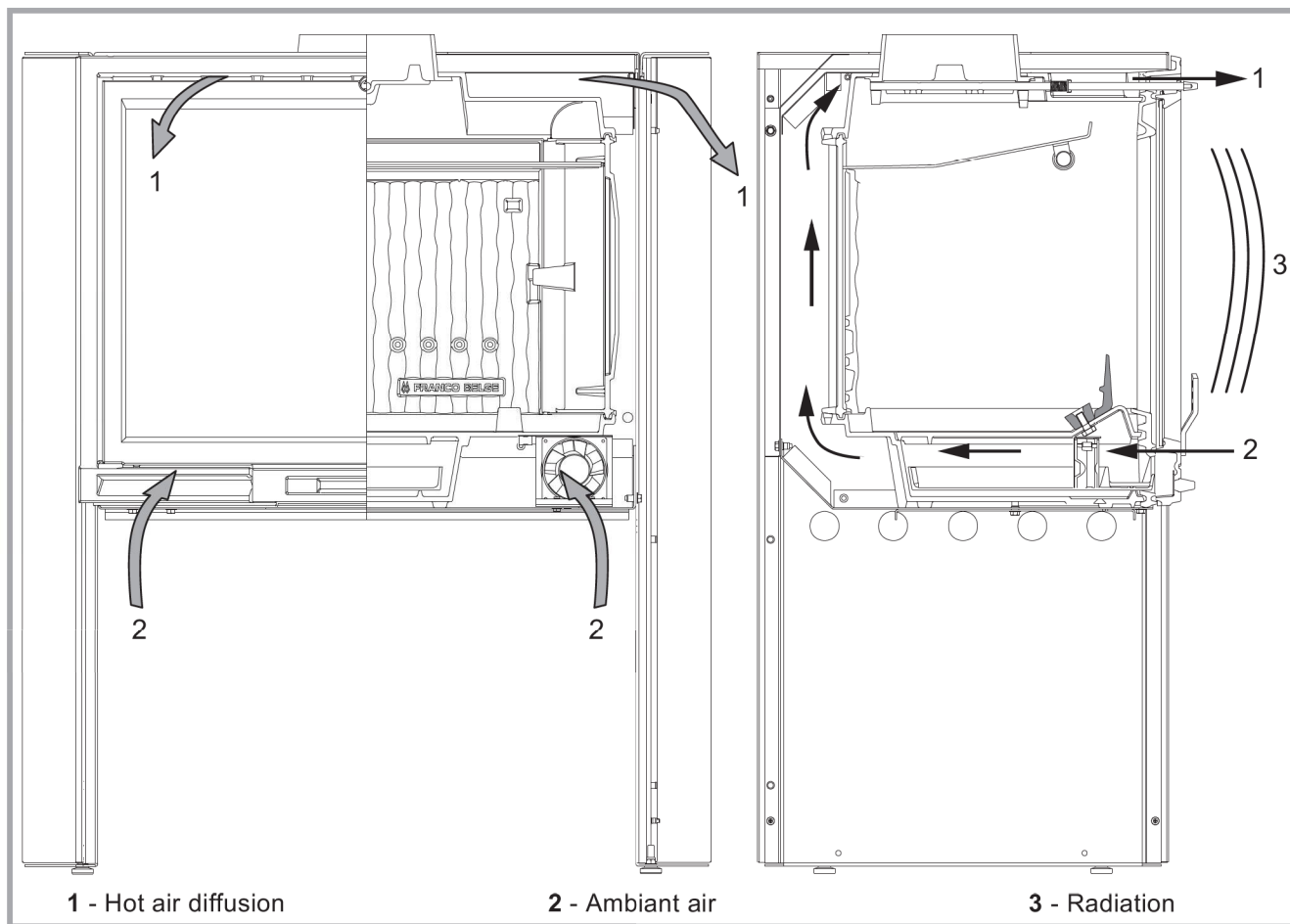


Figure 2 - Heating principle

1.4. Operating principle

Heat is mainly diffused by radiation through the window and by hot air diffusion around the body of the appliance.

The air, collected at the bottom of the appliance, spreads around the body, where it becomes hot with the appliance wall radiation.

The air leaving the heat exchanger is accelerated by the automatic start of the fans when the hot air temperature is more than 50 °C. The fans stop when the air temperature fall down.

This appliance is designed **to be used only with the door closed**.

The speed is regulated with the primary air flap situated on the main door.

A clever secondary air inlet entry through the top of the glass door and the hearth plate completes the combustion of volatile components and allows the door to remain clean.

The draught restrictor enables you to balance the combustion rate.

2. Installation instructions

2.1. Warning to the user

All the local and national regulations, and in particular those relating to national and European standards, must be observed when installing the appliance.

The heat released by an stove fire is definitely higher than that of an open chimney.

An incorrectly installed stove can cause serious accidents (chimney fires, burning of plastic insulation materials, in partition walls, etc.).

The insulation of both the appliance and the exhaust gas pipe has to be reinforced and done according to the Standards and the Building Regulations for safety reasons. The installation must be carried out according to the Standards and the Building Regulations.

The appliance should only be installed by a professional engineer, in the strict application of normal practices and all safety precautions.

Failure to respect the mounting instructions leads to engage the responsibility of the one doing the installation.

The manufacturer’s responsibility shall be limited to the supply of the appliance.

2.2. Le local d’implantation

Ventilation : For satisfactory appliance operation with a **natural draught**, check that sufficient air for combustion is available in the room ; in houses equipped with one VMC (controlled mechanical ventilation), this one aspire and renew the ambient air; In this case, the residence is under slight low pressure and **a non-sealable external air intake must be installed in addition to the chimney itself**, at least 50cm² in section.

Site of the chimney : For new installations, select a central position within the house, to provide a good heat distribution around the building. The diffusion of the hot air to the other rooms will be done through the doors or, in the case of rooms located at another floor, through grilles in the hood. These rooms must be at low pressure or fitted with **non-adjustable** air registers, placed so that they cannot be obstructed, to encourage circulation of the hot air.

Floor : Make sure that the floor can support the weight of the appliance its surroundings and the hood ; In the contrary the floor needs to be reinforced with a concrete screed to distribute this load. Provide adequate insulation if the floor is combustible. In all cases it is better to raise the height of the appliance to protect the floor of the heat radiation and allow fresh air required for the convection bellow the closed hearth.

Rear wall and ceiling : Make sure they are not combustible or covered with combustible material (as per the Building regulations). In the contrary take out these materials on the all perimeter of the chimney and replace them by a non-combustible material (as per the The stove is supplied with a connection flue spigot with an outer diameter of 180 mm. Building Regulations but if in doubt, consult your Dealer or local Building Inspector). In all cases the surface temperature on the

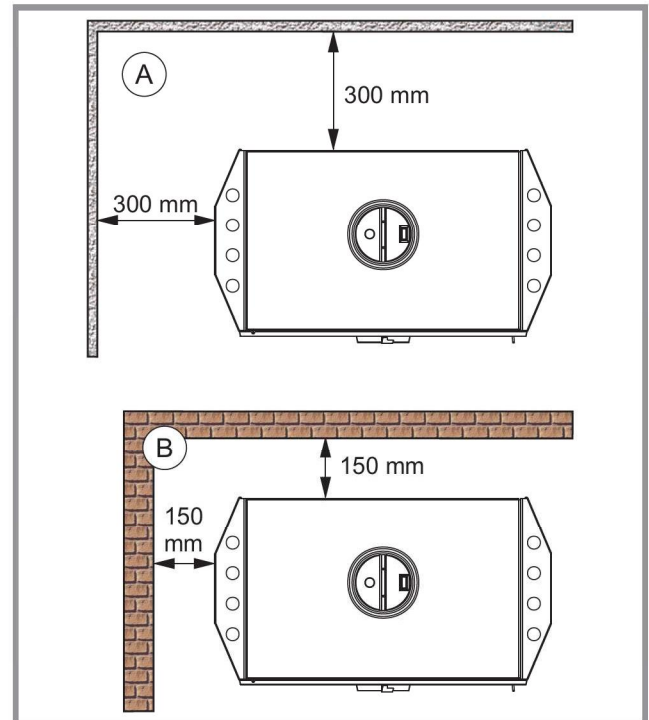


Figure 3 - Minimum clearances

external side of the walls (walls, ceiling, floor) shall not exceed 50 °C in all accessible parts.

Position the unit to comply with the minimum clearances to combustible materia (rep. A, fig. 3), with the non-combustible material walls (rep. B, fig. 3).

2.3. Adjusting legs

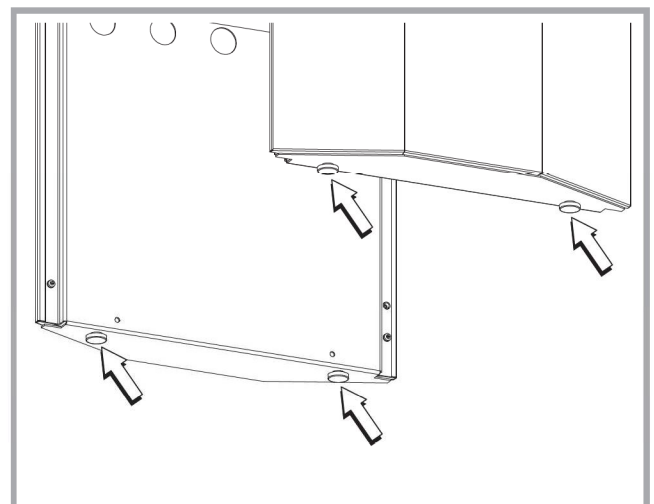


Figure 4 - Four adjusting legs

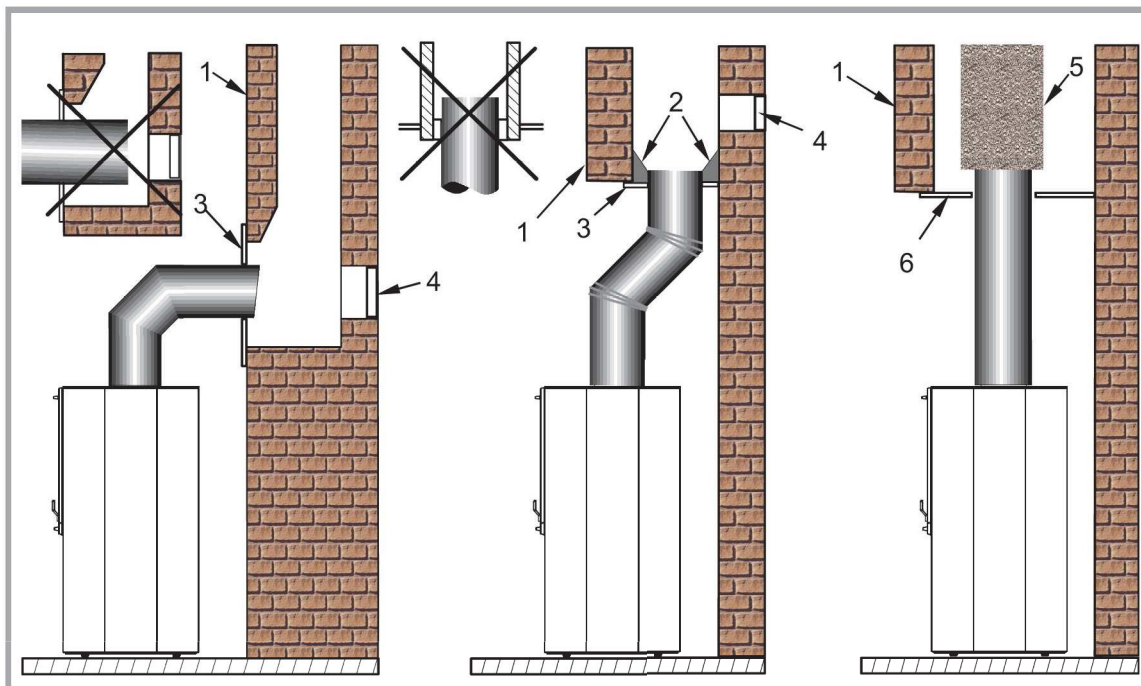


Figure 5 -
Chimney
connector

- 1 Chimney
- 2 Funnel-shaped fireproof material.
- 3 Non-combustible plate
- 4 Access to cleaning
- 5 Insulation
- 6 Plate not removable and ventilated air.

2.4. Mounting the flue collar

The stove is supplied with a connection flue spigot with an outer diameter of 180 mm.

2.5. Flue

The flue must comply with Current Building Regulations. If in doubt, consult your Dealer or local Building Inspector.

Existing flue :

- The flue must be in good condition and must provide sufficient draught (to see page 3).
- The flue must be **suitable** for the installation of fuel burning appliances ; otherwise it must be necessary to install a tubing.
- The flue must be **clean**. It should be swept to remove soot and dislodge tar deposits.
- The flue must be **well insulated**. If the flue inner wall surfaces are cold, a good thermal draught is impossible causing condensation problems (tar formation etc) to occur.
- The flue must be watertight.
- The chimney must have a constant cross section. (Example : **4 dm² for an open fire** and 2,5 dm² for a closed hearth).
- When the cross-section of the chimney is too large, it is difficult to obtain a good draught.
- The flue must not be shared with any other appliance.
- The chimney must be at least 4.5 m (15 ft) high and be at 40 cm above the ridge of the roof and 8 meters away from any construction.
- In case of a flat roof or when the roof gradient is lower than 15°, the stack must be 1,2 m (4 feet) high at least.
- The capping must not restrain the draught.
- If the chimney has a down-draught tendency, due to its position in relation to nearby obstacles, an anti-down-draught cowl must be installed on the chimney or the chimney height must be increased.
- If the chimney draught is excessive or irregular, a draught stabilizer (barometric damper) must be

installed to the connector pipe it must be **visible and accessible**.

Chimney to be built / New flue

The flue must comply with Current Building Regulations. If in doubt, consult your Dealer or local Building Inspector.

- The appliance must not support the weight of the flue.
- It must be distant from any combustible material (walls, cross members).
- It must permit an easy sweeping.

2.6. Chimney connector

The connection to flue must be carried out according to local building regulations.

- The connector pipe must be approved for installation with combustion products (**either 24 ga. Black painted or blued steel or 316 grade 20 ga. Stainless steel or 1 mm vitreous enamelled steel**).
- Pipe diameter must not be less than the appliance spigot diameter. If there is no other solution, the reduction can not be more than one diameter lower than the flue spigot and be situated as distant as possible from the flue connection of the appliance.
- The connection can be done either on a flue at the ceiling level, or with an elbow to a flue starting from the floor,

The join between the connection pipe and the stovepipe, and the flue, must be leak tight. For the premises equipped with a mechanical controlled ventilation, the airtightness has to prevent the exhauster drawing out the smokes from the exhaust gas pipe.

- The connection pipe and any draught stabiliser must have access for cleaning. Foreseen an **inspection trap** (500 x 350 mm) in the hood to allow access to the flue.

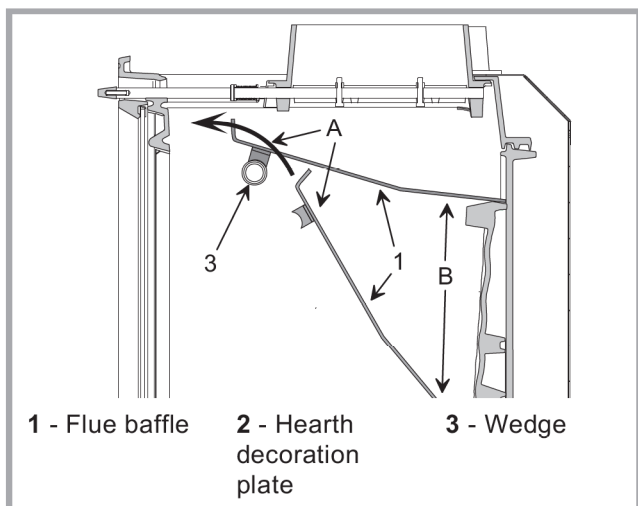


Figure 6 - Flue baffle mounting

2.7. Flue baffle

The baffle plate is laid in the hearth when it leaves the factory. Install flue baffle (attached on hearth grate before leaving the plant) inside combustion chamber.

2.8. Flue baffle mounting

Flue baffle mounting : figure 6

- First slide section A over front dampers 3 then lay section B on hearth decoration plate 2.
- To rest part A on blocks 3.

Removing the flue baffle : figure 7

- Raise the front of the deflector A, slide it above the stops 3 before removing the back B resting on the decorative back hearth 2.
- Director the deflector into the stove as indicated in figure 7.

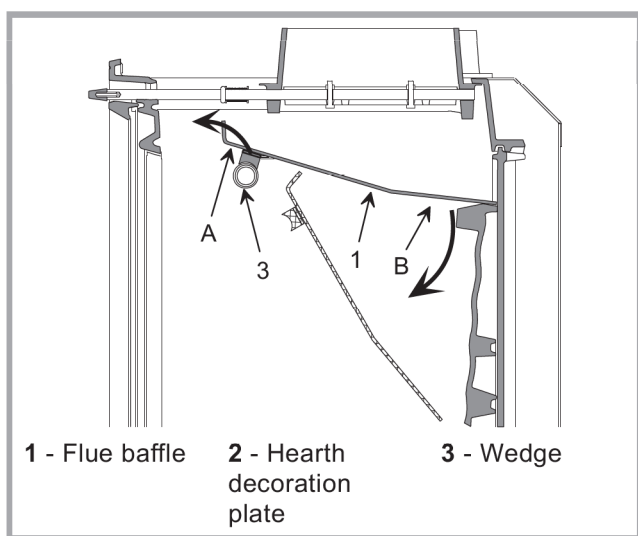


Figure 7 - Removing the flue baffle

2.9. Access to the fans

Figure 8

Open the main door (3) and to withdraw the ashtray (2), to remove the 4 screws (1) and to deposit the grids right-hand side and left (5).

To go up them, proceed in the opposite order.

2.10. Electrical connexion

The electric installation must be carried out in accordance with the regulation in force.

Electrical connections should not be made until all other installation operations are completed (fixing, assembly, etc...).

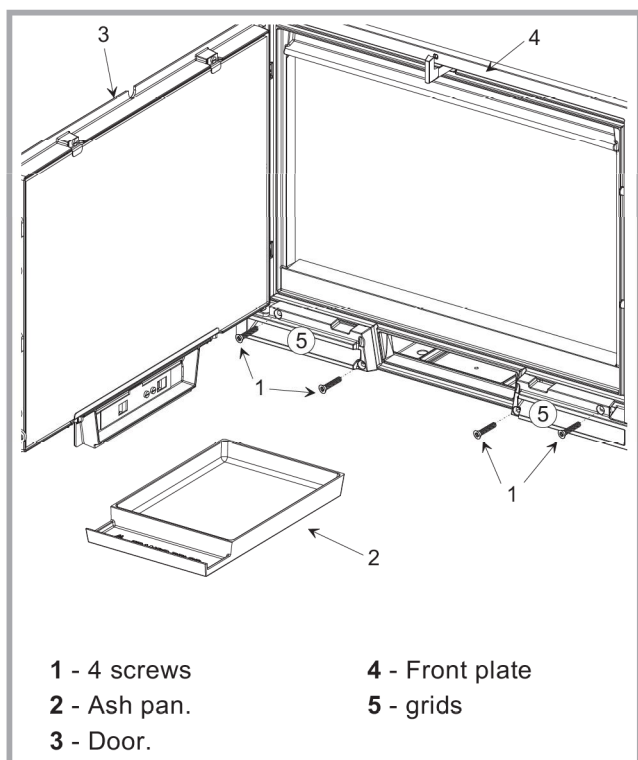


Figure 8 - Access to the fans

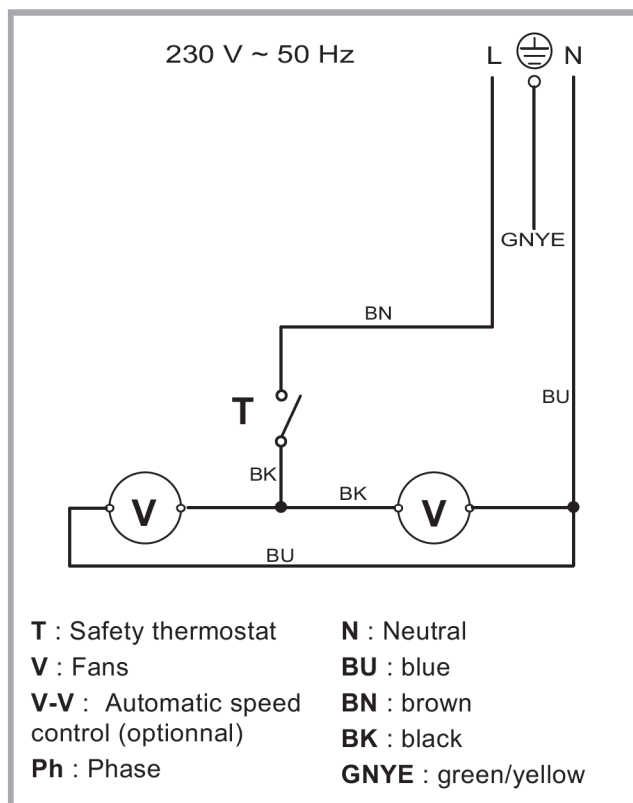


Figure 9 - Electrical wiring

Complies with :

- Low tension Directive 73/23/CEE, under standard NF-EN60335-1.

- Electromagnetic compatibility Directive 89/336/CEE

The fans electrical requirement is 230 V ~ 50Hz. Plug in the power cable on a wall socket with a link to an earth socket and protected by a 1A fuse-wire.

Please note : When using a variator of speed (optional), connect the fans on the variator (**Use only the FRANCO BELGE variator ref. V634 10 37**).

Very important ! The power supply cable is resistant to high temperatures. (T= 300°C) Ensure that the same type of cable is used if it is replaced. Only use replacement parts supplied by the manufacturer.

2.11. Pre-utilisation check

- Check that the seals of the smoke-line are in good condition. Check that the door closes correctly. Check that the glass is not damaged. Check that the smoke

passages are not obstructed by packaging or removable parts. Check that all removable parts are correctly installed.

Note : if it acts of a ceramics braid, it is consumable and thus brought to be changed by the user.

2.12. Maintenance of the Chimney

Very important : In order to avoid any incident (chimney fire, etc...), maintenance tasks must be carried out regularly. If the appliance is regularly used, the chimney should be swept several times per year, together with the stovepipe connection section.

If the chimney catches fire, you must cut off the flue draught, close the doors and windows, hatches and keys and call the Fire Brigade without delay.

DO NOT OPEN THE DOOR OF THE APPLIANCE (OR AIR INLET) UNDER ANY CIRCUMSTANCES

3. Instructions for user

The manufacturer will not be responsible for damages on parts of the appliance due to the use of prohibited fuel or due to an alteration of the appliance or its installation.

Only use replacement parts supplied by the manufacturer.

All the local and national regulations, and in particular those relating to national and European standards, must be observed when using the appliance.

Don't run the stove in mild weather with coal !

Under certain circumstances (e.g. fog and repeated thaw) the chimney will not draw sufficiently well and thus be at the origin of asphyxia.

3.1. Fuel

This appliance is not an incinerator.

- Use hard wood logs, which have been cut for at least two years and stored, under a ventilated shelter.
- Hardwood has a higher calorific value per cu metre.
- Large logs must be split and cut to an useful length, before being stored in a sheltered and ventilated place.

Recommended fuel

- Firewood : **Hornbeam**

Suitable fuel

- Firewood : Oak, ash, maple, birch, elm, beech, etc.

Prohibited fuel

- **Any form of coal and flued oil !**

- “Green wood”. Green or damp wood reduces the appliance efficiency and soils the glass, the internal walls and the flue (soot, tar, etc.).
- “Recovered wood”. Railway sleepers, telegraph poles, offcuts of plywood or chip board, pallets, etc.
- Burning treated wood quickly clogs the flue ways (soot, tar, etc...), pollutes the environment (pollution and smell, etc.) and cause the fire to burn too quickly and overheat.

Warning ! Green wood and recovered wood can cause a chimney fire.

3.2. Lighting

- Open the air regulation flap.
- Open the flue damper and the loading door.
- Place on the grate on scrunched up paper, some brushwood and some hardwood of small diameter.
- Set light to the paper and close the glass door.
- At the first lighting, the fire must be progressively increased to allow the various parts to expand normally and to dry up.
- When the wood is burning correctly, close the flue damper and close partially the air flap.

Please note : When the fire is lit for the first time, the appliance may give off fumes from the new paint. This is normal but ensure the room is well ventilated during the first few hours operation.

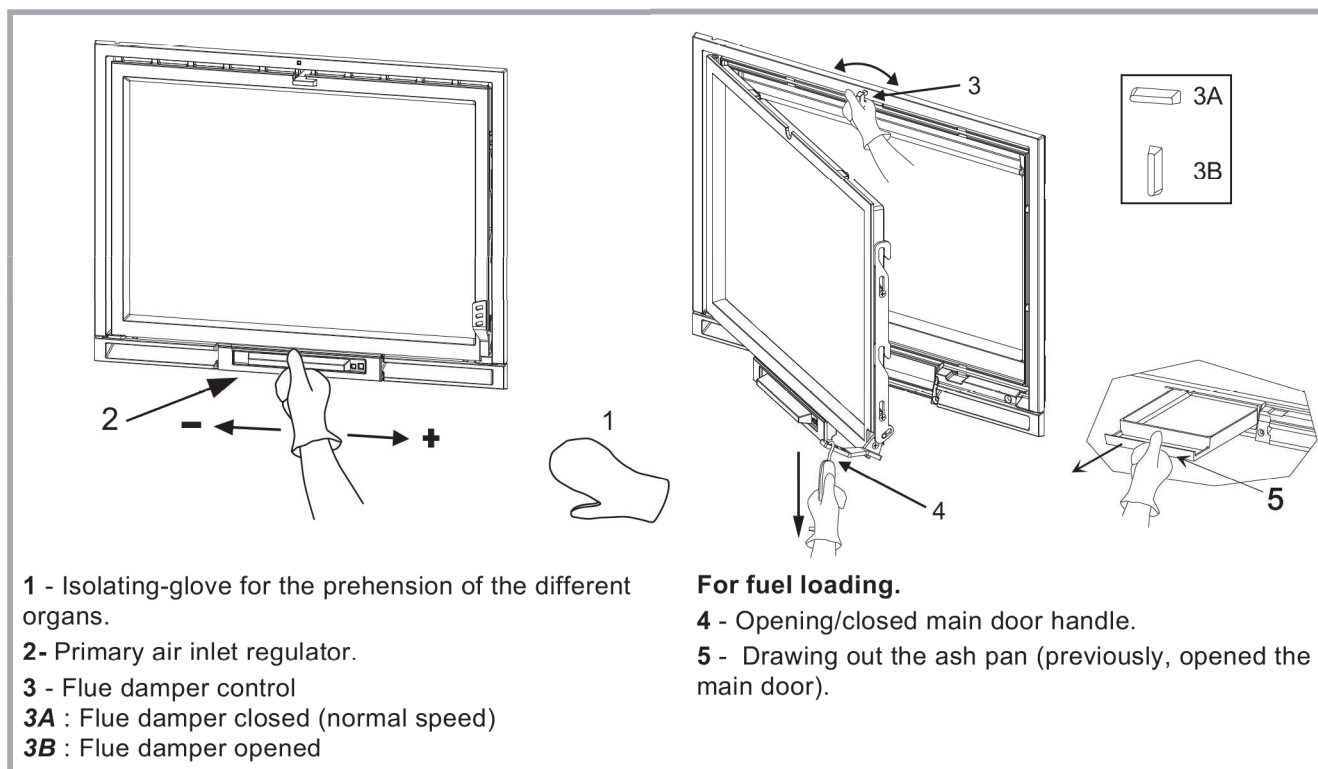


Figure 10 - Operating devices

3.3. Air convection principle

Two fans with automatic start to accelerate the hot air convection,

The air leaving the heat exchanger is accelerated by the **automatic start** of the fans when the hot air temperature is more than **50 °C**. The fans stop when the air temperature fall down.

3.4. Operating procedur

The use of an protective glove is mandatory to manoeuvre the different handles,

The appliance must function **all door properly closed**, the speed regulation being carried out using the air regulation on the ash pan door (fig. 10, # 2).

To load fuel, first open the flue damper. The door should be opened slowly, avoiding a sudden rush of intake air, so that smoke does not escape into the room.

The logs must be placed on the glowing embers.

- For a briskly burning fire, there should always be at least two logs in the fire. The fire will burn better if there are several logs.
- For a slower burning fire (for example, at night), select larger logs.
- After loading fuel, Close the door and the flue damper.

3.5. Door closing pressur

The closing latch pivots on a screw locked by a pressure screw.

- Remove the window by removing the 2 screws (1).
- Loosen pressure screw (2).
- Tighten or loosen the screw (3) according to the pressure required.
- Retighten the pressure screw (2) and raise the window.

3.6. De-ashing

- Shake the embers with the poker before loading.
- Ashes must be removed regularly.
- Ashes must never be allowed to pile up to the grate. The grate would not be cool down and could rapidly be damaged.
- Empty the ashes when the appliance is cold.

In order to proceed :

- Pick up the ash pan using a protecting glove.
- Empty the ashes carefully with regard to the live embers.

3.7. Cleaning of the hearth

- The appliance must be cleaned regularly , together with the connecting pipe and the flue pipe.
- Open the door and remove all deposits in the firebox and clean the removable fire grate.
- Cleaning of the glass door can be done with a soft cloth dampened with water and vinegar or potassium ; this must be done when the appliance is cold ; then rinse with clear water. Do not use abrasive cleaners.

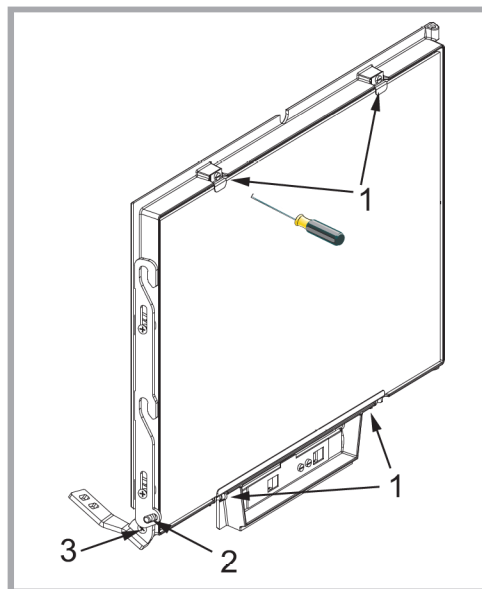


Figure 11 - Door closing pressure

- 1 - Screws
- 2 - Pressure screw
- 3 - Screw

- The “vitroceramic” glass will resist to temperatures of up to 750 C. Should the glass break due to misuse, it must be replaced by the manufacturers own product.
- All the casing parts can be cleaned using a soft cloth either dry, or slightly damp. In case of condensation or water splashes clean the parts before they dry out.
- Check that there are no obstructions before relighting after a long period of disuse.
- The appliance must not be used with a flue serving several appliances.
- To maintain the grates ventilation free of any obstruction.
- Ashes must not be allowed to build up.
- The door rope seals should be checked annually and replaced when required.
- The grates must be free from any obstructions always ensure there are no pieces of dislodged fuel or embers in between the grate castings.

3.8. Maintenance of the Chimney

Very important : In order to avoid any incident (chimney fire, etc...), maintenance tasks must be carried out regularly. If the appliance is regularly used, the chimney should be swept several times per year, together with the stovepipe connection section.

If the chimney catches fire, you must cut off the flue draught, close the doors and windows, hatches and keys and call the Fire Brigade without delay.

DO NOT OPEN THE DOOR OF THE APPLIANCE (OR AIR INLET) UNDER ANY CIRCUMSTANCES

Chimney condition should be checked at least once per year by a professional engineer.

3.9. Conseils importants

- The stove may still be HOT even when the fire has burnt out.
- This appliance produces heat and may cause severe burns if touched.

KEEP CHILDREN AWAY

3.10. Trouble shooting



: This sign means that you should asked for a qualified engineer to do the work.

Situation	Probable causes	Corrective action
<i>Fire difficult to start. Fire goes out.</i>	Wood green... or too damp	- Use hard wood logs, which have been cut for at least two years and stored, under a ventilated shelter.
	Logs are too big.	- To light the fire, use small, very dry twigs. To maintain the fire, use split logs.
	Poor quality wood.	- Use hardwood that have a higher calorific value per cu metre (Yoke-elm, oak, ash, maple, birch, elm, beech, etc.)
	Not enough primary air	- Open air control. - Open the outside fresh air inlet grid.
	Insufficient draught.	- Open temporarily the flue damper control. <input checked="" type="checkbox"/> - Check that the flue is not obstructed, sweep it if necessary, - Seek advice from a chimney specialist.
<i>Fire burns too quickly.</i>	Too much draught.	- Partially close the air control.
	Excessive draught.	- Check that the chimney-flap does not remain opened. <input checked="" type="checkbox"/> - Install a draught stabiliser to the connector pipe.
	Poor quality wood.	- Do not continuously burn small wood, sticks, bundles, carpentry offcuts (plywood, pallets), etc.
<i>Smokes when lighting up.</i>	The flue damper is closed	- Open the flue damper
	Flue duct is cold.	- Burn paper and kindling wood to increase heat.
	Room is in decompression (negative pressure).	- In houses equipped with mechanical ventilation, partly open a window until the fire is well established.
<i>Smokes while burning.</i>	Insufficient draught.	- Open temporarily the flue damper control. <input checked="" type="checkbox"/> - Consult a chimney specialist - Check that the flue is not obstructed, sweep it if necessary,
	Down draught.	<input checked="" type="checkbox"/> - Install an anti-down draught cowl.
	Room is in decompression (negative pressure).	- In houses equipped with mechanical ventilation, an outside air intake must be installed in addition to the chimney itself
<i>Low heat output.</i>	Poor quality wood.	- Use the recommended fuel.
	Poor mixing of the convection air.	<input checked="" type="checkbox"/> - Check the air flow system (air inlet, piping, air outlet). - Check that the next rooms are equipped with ventilation grids to help out the hot air circulation.

4. Spare parts

When ordering spare parts, specify the **stove type** and **serial number**, including the **colour index** (on the guarantee or identification plate), the **name** of the part and the **part number**.

Example : Wood stove “Basque”, ref. **134 14 02**, colour **Y**, top plate **352173 60**.

N°	Code	Description	Type	Qty
1	100951	Axle		02
2	101060	Sliding door axle		01
3	101809	Ring		02
4	109332	Wiring system		01
5	134107	Glove		01
6	134253	Bushing		02
7	134705	Pin	6x45	01
8	134714	Pin		01
9	134758	Pin	4 x16	01
10	134760	Pin	5X20	01
11	142316	Gasket	7x3	0,44 m
13	166035	Spring	13x40	01
14	179042	Thermostat		01
15	181607	Ceramic rope	Ø 9,5	2 m
16	181632	Gasket	Ø 6	4,50 m
17	188508	Fan		02
18	188852	Refractory glass	743X448	01
19	189446	Screw	M5X08	04
20	222579	Flue baffle		01
21	189825	Screw		01
22	232005	Closing		01
23	958602	Driving bar		01
24	249321	Slide plate		01
25	259050	Fixing plate		01
26	271016	Bracket		02
27	301830	AB Handle		01
28	303214	AB Knob		01
29	303881	AB Flue collar	Ø 180	01
30	306202	AB Back wall		01
31	309230	Wood grate		01
32	310220	AB Side panel		02
33	319732	AB Grate support		01
34	320632	Sliding door		01
35	324013	AB Fuel retainer		01
36	324114	AB Fuel retainer		01
37	330015	AB Hearth plate		01
38	331115	AB Main door		01
39	331702	Ash pan		01
40	352173	AB Top plate		01
41	359828	AB Front plate		01
42	400106	Axle		01
43	970112	Left support ventilator		01
44	970111	Right support ventilator		01
45	808001	ED Handle		01
46	900983	Complete sliding door		01
47	305715	AB Supplementary grate		01
48	307442	AB Fuel retainer		01
49	989035	Complete door		01
50	988533	Fan complete		01

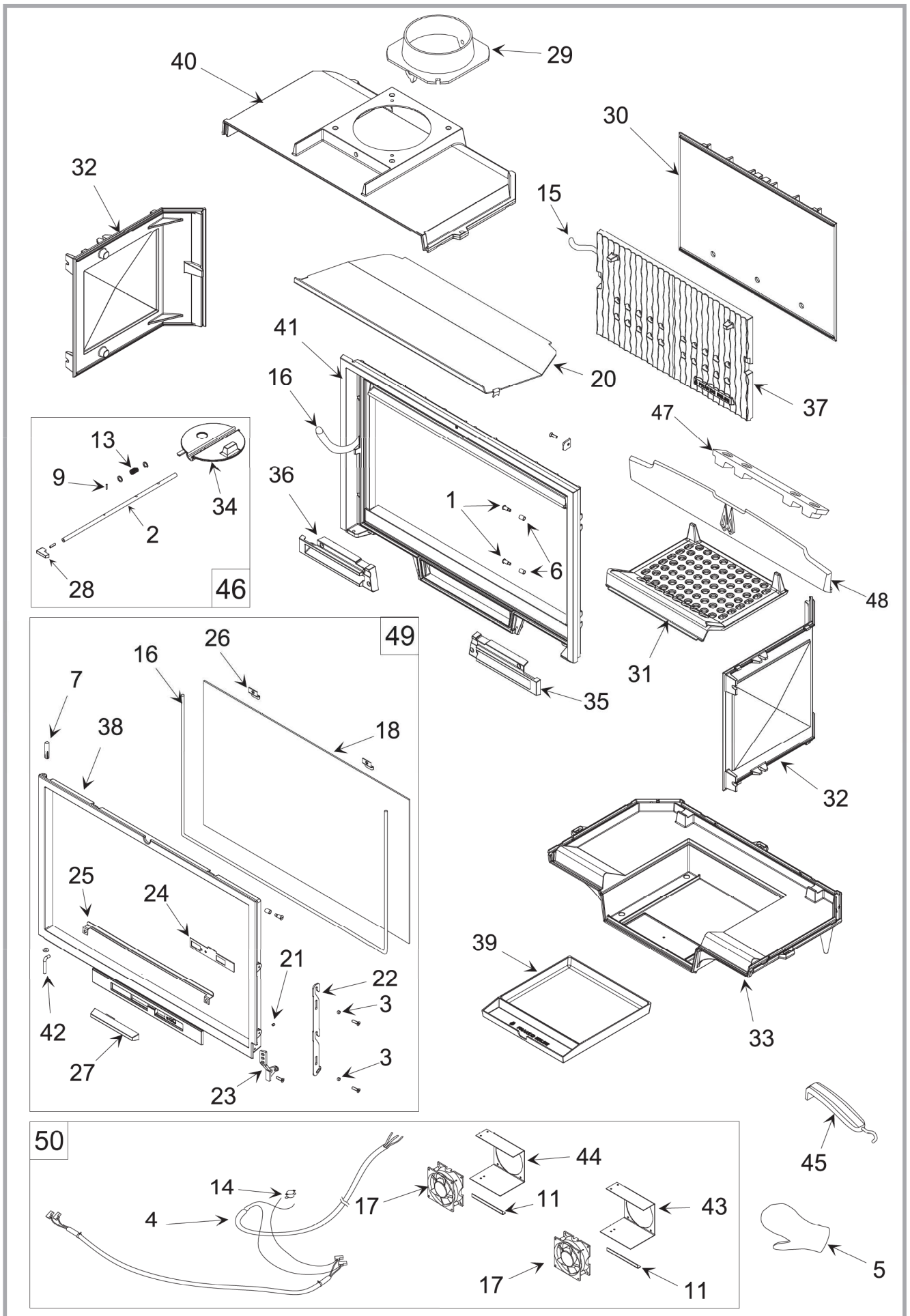


Figure 12 - Spare parts view

A = 134 14 02 R B = 134 14 02 C C = 134 14 02 Y

N°	Code	Description	A	B	C	Qty
1	101070	Axle	A	B	C	04
2	109552	Leg	A	B	C	04
3	188508	Fan	A	B	C	02
4	913301	Base plate	A	B	C	01
5	201818	AY Top plate	A	B	C	01
6	202116	AY Supplementary top plate	A	B	C	02
7	207326	Back panel	A	B	C	01
8	912452	Side panel		B	C	02
8	912453	Side panel		B		02
8	912454	Side panel	A			02
9	217237	Shell top	A	B	C	01
10	923301	Square	A	B	C	04
11	970108	Left support	A	B	C	01
12	970105	Right support	A	B	C	01
13	956500	Fixing plate	A	B	C	02
14	275617	Casing support	A	B	C	01
15	970112	Left heat shield	A	B	C	01
16	970111	Right heat shield	A	B	C	01

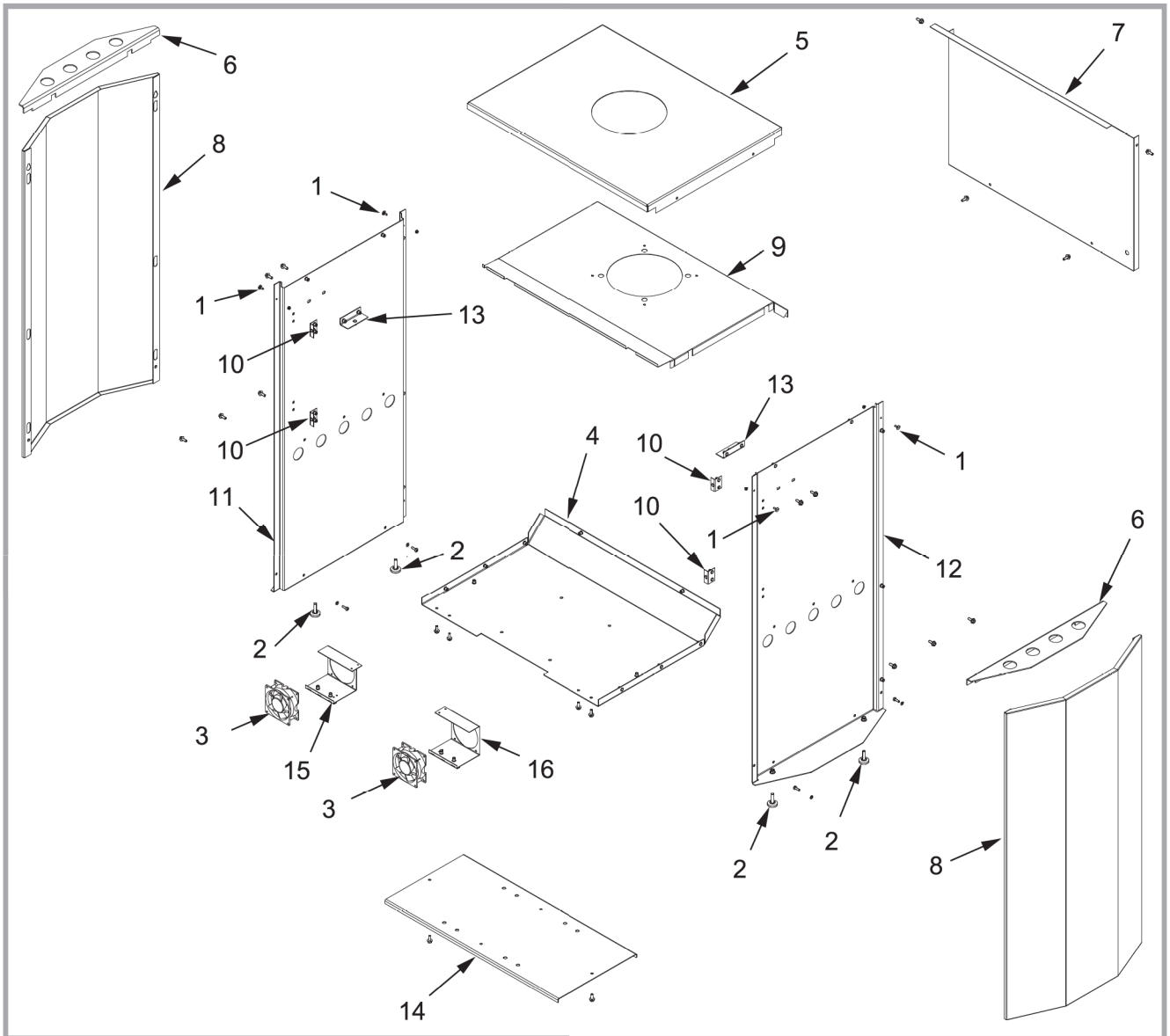


Figure 13 - Spare parts view



Guarantee certificate

Legal guarantee

The specifications, dimensions and information shown on our documents are provided for information purposes only and under no circumstances are binding upon the vendor.

With the aim of constantly improving our equipment, all modifications considered as necessary by our departments may be made without notice.

The provisions of the present guarantee certificate are not excluding or limiting the owner of the equipment's rights, concerning the legal guarantee regarding faults or hidden vices which applies in all circumstances, in the conditions detailed in articles 1641 and following of the civil code, and in the country in which the equipment was purchased.

Contractual guarantee

Our equipment is guaranteed against faults and hidden vices subject to the following conditions:

- 1) Installation and adjustment of the device by a professional installer.
- 2) Observance of the instructions provided in our technical documents and our installation/adjustment instructions.
- 3) The installation, use and maintenance of the device carried out in conformity with the applicable standards and legislation, and with the indications provided in the technical instructions accompanying the device.

This guarantee covers the replacement, in our factory, of parts recognised as being defective from the outset by our "Guarantee Inspection" Department. Carriage and

labour is at the user's cost. Moreover, if the repair or replacement of parts covered by the guarantee is found to be too costly vis-à-vis the price of the appliance, the decision to replace or repair the appliance will be taken by the vendor.

Our guarantee is for 2 (two) years for all appliances, with the exception of closed combustion fireplace and inserts for which our guarantee is 5 (five) years excluding the following:

- 1) Indicator lights, fuses, electrical elements and fans.
- 2) Parts subject to wear or in contact with high temperatures namely: soles and burner grills, bottom plates baffles, ash pans, paintwork and surface treatments for decorative parts. Also excluded from this guarantee are seals and windows.
- 3) Any damage which may result from the use of the appliance with a fuel other than that stipulated in our instructions.
- 4) Damage occurring to parts caused by elements outside the appliance (down draught, storm damage, damp, abnormal pressure or vacuum, heat shocks, etc...).
- 5) Damage to electrical parts caused by plugging in and using the appliance on a mains system, the voltage of which (measured at the entrance to the appliance) is 10% above or below the nominal voltage of 220 V.

Exclusion of liability

In the case of a product manufactured at the client's request, under no circumstances may we, as a subcontractor, be considered liable vis-a-vis the client or third parties for defects arising from the installation or a design fault with the item in question.

<input type="checkbox"/> Name and address of the installer : _____ _____ _____
<input type="checkbox"/> Telephone : _____ _____
<input type="checkbox"/> Name and address of the customer : _____ _____ _____
Date of installation : ___ / ___ / _____
Model of the appliance : <input type="checkbox"/> 134 12 01
Color : <input type="checkbox"/> Y <input type="checkbox"/> R <input type="checkbox"/> C
Serial number : _____
<p>• This certificate has to be completed and kept carefully. In case of claims, send a copy of this to :</p> <p>BOUTIQUES DU FEU - FRANCO BELGE Parc d'activités de la Verte Rue - Allée des Prêles - 59270 BAILLEUL</p>