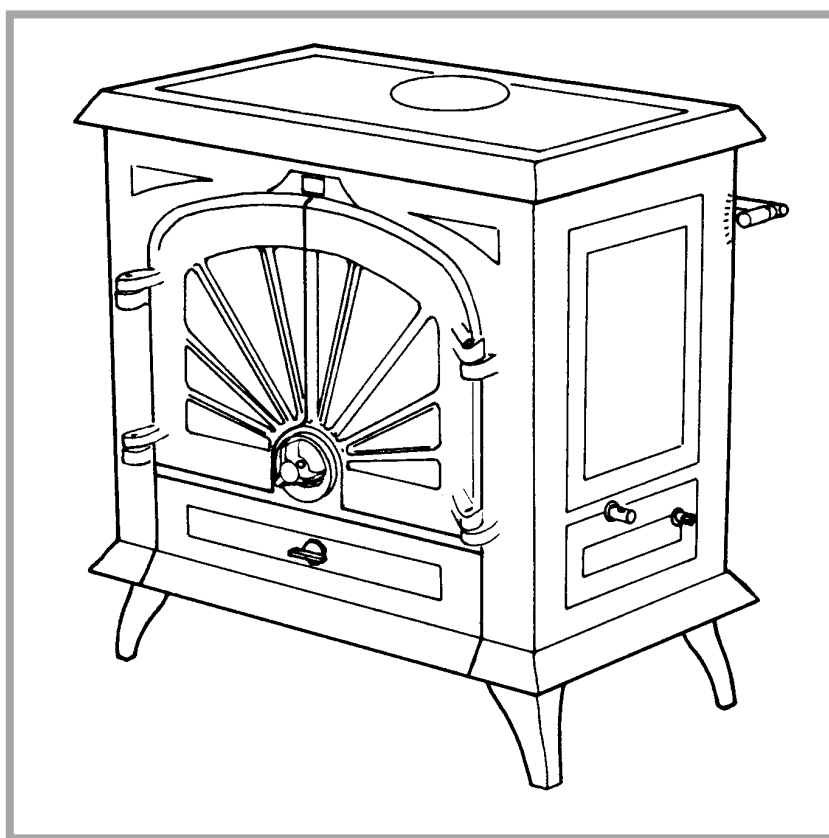

Lorraine MF

Multifuel stove

Model : 124 13 01



Description of the appliance

Installation instructions

Operating instructions

Spare parts

Warranty certificate

Document n° 316-6 ~ 28/01/2004

EN

FR

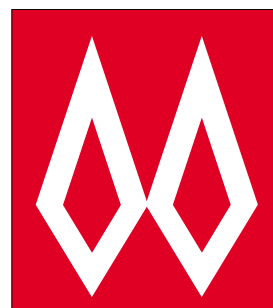


Technical manual

to be saved

by the user

for future reference



FRANCO BELGE

STAUB FONDERIE

Head Office Address

2, rue Saint Gilles
68230 TURCKHEIM
RC Colmar
SIREN 439 330 325

**Address - Administration and
manufacturing**

BP 73
59660 MERVILLE (FRANCE)
Telephone : 00 333 28 43 43 43
Fax : 00 333 28 43 43 99

Subject to modifications.

Contents

Description of the unit		3
Package	3	Descriptif
General characteristics	3	Principle of operation
		3
Installation instructions		4
Assembly of the flue collar and the blanking plates	4	Chimney connexion
Installation	4	Water connections
Siting the stove	4	Check list before lighting stove
The chimney	5	Adjustment of the thermostat
		5
Instructions for user		6
Fuel	6	Cleaning the glass
Lighting the stove	6	Flue cleaning and summer time
Running the stove	7	Removing the oscillating grates
Maintenance	7	Trouble Shooting
Care of the stove	7	
List of components		9

WARNING

The appliance must be installed in compliance with Current Building Regulations.
 Incorrectly installed, this appliance can be dangerous
 and possibly cause serious accidents.
 The manufacturer's responsibility shall be limited to the supply of the equipment.

1. Description of the unit

1.1. Package

- 1 package : Stove complete.
- **Optional** : add-in boiler C 22 30 01 or C 22 07 01

1.2. General characteristics

Reference	124 13 01
Maximum heat output kW	12,2
Weight. Kg	150
Fire box dimensions	
- width mm	460
- depth. mm	260
- useful height. mm	180
ashpan capacity litres	6
overnight solid fuel loading Kg	8

1.3. Descriptif

- Multifuel stove.
- Fuel burnt on grate.
- Enclosed combustion chamber with refractory brick walls.
- De-ashing and ash-dumping devices.
- Large ash-pan.
- Adjustable air controls with thermostat.
- Detachable flue spigot for rear or top chimney connection.
- Boiler with water connections (optional).

1.4. Principle of operation

The "Lorraine MF" is designed for operation with the door closed.

Heat is mainly diffused by radiation, through the window and body of the appliance.

Adjustable air controls with thermostat for controlling the burning rate.

Combustion occurs on the grates in a hot enclosed combustion chamber. The thermostat regulates the draught entry under the grates.

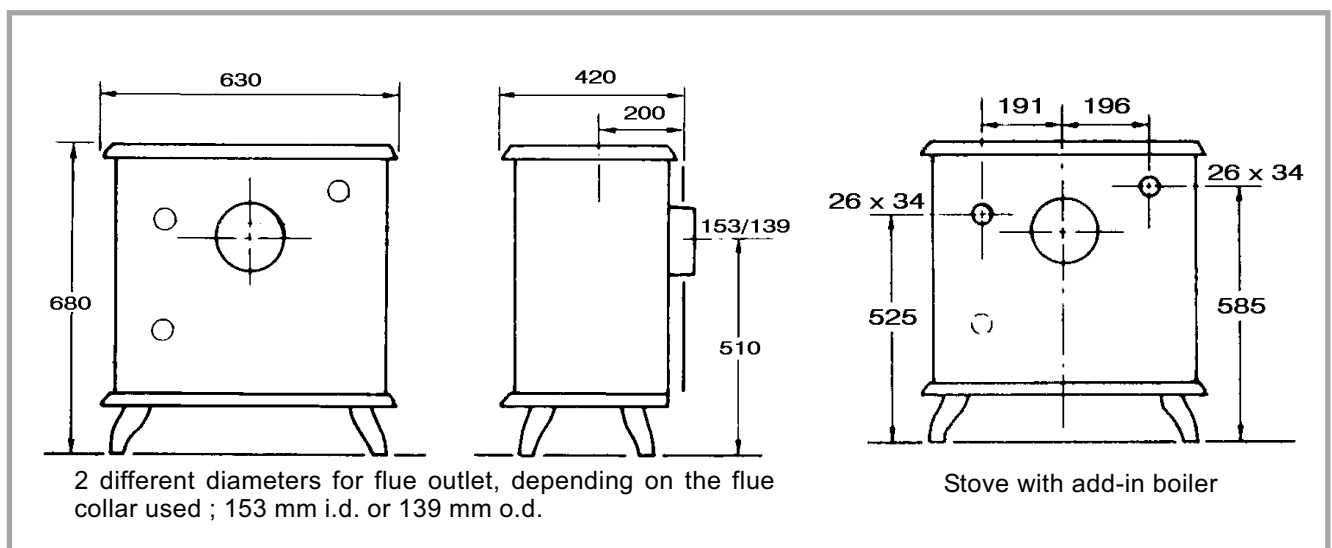
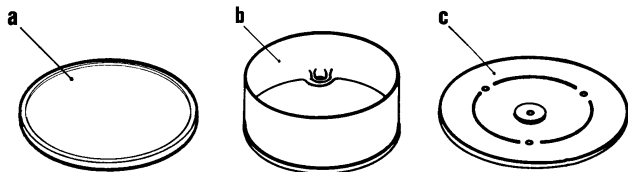


Figure 2 - Dimensions in mm

2. Installation instructions

2.1. Assembly of the flue collar and the blanking plates



The flue collar and the 2 blanking plates are assembling deliver on the stove for smoke exit at rear.

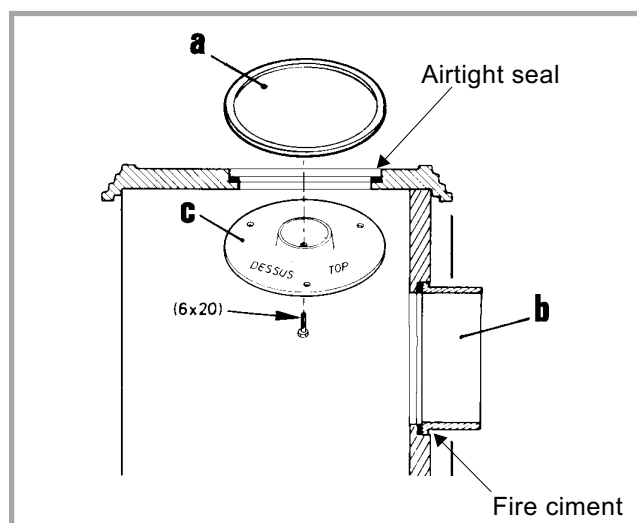


Figure 3 - Rear flue outlet

Smoke exit at rear (fig. 3) :

- The blanking plates are fitted on the top plate from factory, fit the flue collar (3 bolts) with fire cement.
- Lift the top plate (2 bolts) and remove the rear heat shield.

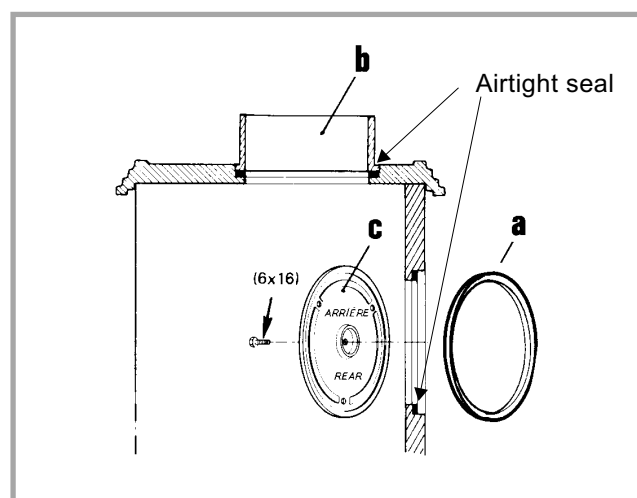


Figure 4 - Top flue outlet

For installation smoke exit on the top (fig. 4):

- Lift the top plate (2 bolts) and remove the rear heat shield.
- Remove the flue baffle and the refractory bricks (# 25, # 4 and # 5 p. 11).
- Exchange the blanking plates with the flue collar, ensuring that it is leaktight.
- Replace the refractory bricks and the flue baffle.
- Reinstall the rear covering and closed the exit position with an iron plate.
- Refit the top plate.

2.2. Installation

Important : Before commencing the installation of your new appliance it is recommended that the instructions are read and understood.

Health and safety at work act 1974 :

The installer should comply with the Health and Safety at Work Act 1974 and with particular reference to the following.

Handling :

Adequate facilities should be provided for handling the appliance.

Glass :

Extra care should be taken to avoid breakages.

Fire cement :

Care should be taken to avoid fire cement contacting the skin. The material is caustic and in the event of contact being made, wash off immediately with clean water.

Electrical :

If electrical components are to be used in the installation system, all installation work must be carried out in accordance with the Regulations for the Electrical Equipment of Buildings. Care should be taken to conform to the installation instructions of individual manufacturers.

Flues, combustion air supply and connection of the appliance

Current Building Regulations and relevant Codes of Practice must be observed.

The responsibility of FRANCO-BELGE only affect the supply of the appliance.

2.3. Siting the stove

The hearth on which the stove is to be installed must comply with Current Building Regulations.

A fresh air inlet must be provided in order to allow efficient combustion and to avoid a vacuum effect being created in the room ; air extractors and fans must not be used in the same room or adjoining room to the installation.

This stove is not designed to be built in, and an air space of at least 150 mm must be left all around the stove. Ensure that appliance and flue pipe are clear of combustible materials.

The stove should be level. Sufficient access for chimney sweeping and appliance cleaning must be provided.

2.4. The chimney

The chimney must be in good condition free from cracks and blockages and should not have an excessive cross sectional area. If problems are encountered expert advice should be sought regarding the necessity of having the chimney lined. Should it be found necessary to line the chimney, a lining suitable for solid fuel must be used. If the appliance is to be fitted in a room where there is no existing chimney a prefabricated block chimney or a twin walled insulated stainless steel flue to B.S 4543 can be used either internally or externally. The internal diameter must not be less than 150 mm (6 inches). These flues must be fitted in accordance with the manufacturers instructions and Building regulations.

Before connecting the appliance to an existing flue, the flue must be swept and checked. In order for the appliance to perform satisfactorily the chimney height should not be less than 5 metres measured vertically from the outlet of the stove to the top of the flue terminal. Should there be excessive draught in the chimney it may be necessary to fit a draught stabiliser.

2.5. Chimney connection

No combustible materials may be set closer than at least 450 mm clearance.

A 150 mm diameter flue pipe will be required to connect the stove to the chimney. Make sure the flue pipe is suitable for solid fuel (cast iron, stainless steel, vitreous enamelled steel). Under no circumstances should flexible or asbestos pipe be used.

Too long horizontal smoke pipe may dangerously restrain the running of the appliance (do not exceed 0,3 m in length). The connecting flue should not exceed 1,8 m in length. Greater lengths should be completed by using twin-walled insulated chimney.

Ensure the flue pipe extends into the chimney but not so far that it blocks air flow.

Ceiling or wall penetration should always be made with insulated pipe and the proper accessories.

Allow fire cement to dry properly before lighting the stove. Stove running and chimney being hot, check if chimney draught is at least 10 Pa (1 mm w.g.) at normal rate and 15 Pa (1,5 mm w.g.) at maximum rate.

If chimney draught is too excessive, a flue stabiliser should be installed on the flue pipe or on masonry chimney so as to avoid the introduction of cold air into the chimney.

2.6. Water connections

With add-in boiler C 22.03.01 or C 22.07.01

FRANCO-BELGE recommends that the installation is carried out by a qualified heating engineer who is fully experienced in solid fuel heating installations.

Must be provided (fig. 5) :

- an expansion tank open to the atmosphere,
- an indirect cylinder,
- a gravity circulation to one radiator to dissipate heat when the pump is off,
- the fitting of a low limit thermostat to the primary return to ensure the pump does not operate when return water temperatures are less than 50 ° C,
- a drainage tap in the return flow.

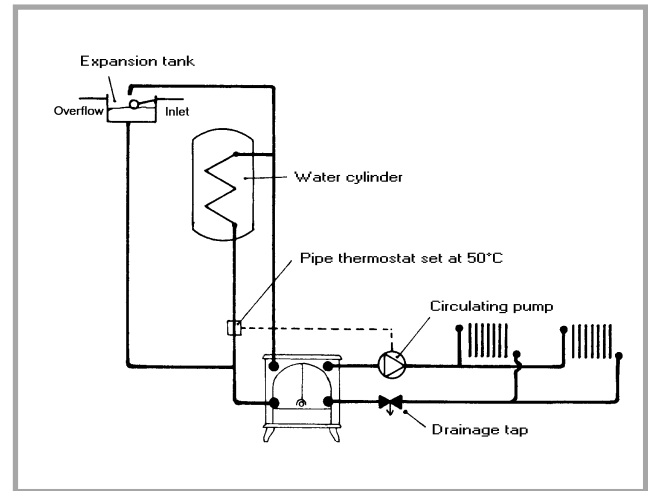


Figure 5 - Water connections

2.7. Check list before lighting stove

- check that all firebox parts (grates, flue baffle and refractory bricks) are correctly fitted and that the oscillating grates move correctly when operated
- check the appliance for soundness of seals between casting (flue collar, blanking plates, loading doors, etc...)
- check the connection between the appliance and the chimney flue for air tightness
- check if there is enough water in the heating system and check the connections for water leaks
- after lighting up the stove, check if it operates correctly under fire, check for soundness of seals, leave the appliance operational with the heating system correctly balanced, hand over user instructions.

2.8. Adjustment of the thermostat

The thermostat has been set in the factory. If it becomes necessary to make adjustments or fit a new thermostat, the following procedure should be followed (see fig. 6) :

- ensure the appliance is cold,
- remove the rear metal heat shield,
- set the thermostat adjustment lever at position «8» (fully open),
- adjust the position of the screw on the lever arm to provide a gap of 50 mm,
- set the thermostat adjustment lever at position «1» (fully closed),
- refit the rear metal heat shield.

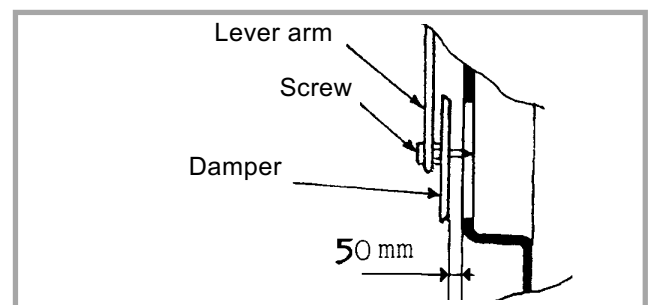


Figure 6 - Adjustment of the thermostat

3. Instructions for user

Warning : properly installed and operated this appliance will not emit fumes into the dwelling. Occasional fumes from de-ashing and re-fueling may occur. Persistent fume emission is dangerous and must not be tolerated. If fume emission does persist :

- open doors and windows to ventilate room,
- let the fire out and dispose of fuel from the appliance,
- check for flue or chimney blockage, and clean if required,
- do not attempt to relight the fire until the cause of the fume emission has been identified and corrected. If necessary seek expert advice.

Note : It is recommended to use a fireguard in the presence of children, and also in the presence of old and/or infirm people

3.1. Fuel

Recommended fuel :

Coal
Sunbrite (small) - Anthracite (Medium) - Dry Wood
Wood

- Use hard wood logs which have been cut for at least two years and stored under shelter.
- Hardwood has a higher calorific value per cu metre (oak, ash, maple, birch, elm, beech, etc.).
- Large logs must be split and cut to the usable length, before being stored in a sheltered and ventilated place.

Not recommended as fuel :

- "green wood". Green or damp wood reduces stove efficiency and makes the window, the internal walls and the flue dirty (soot, tar, etc.).

- "used timbers". Burning treated wood (railway sleepers, telegraph poles, offcuts of plywood or chip board, pallets, etc.) quickly clogs the flue ways (soot, tar, etc.), pollutes the environment (pollution and smell, etc.) and cause the fire to burn too quickly and overheat.

"Green wood" and "recovered wood" can eventually cause a chimney fire.

Prohibited fuel : Any form of bituminous coal or petroleum based coke.

3.2. Lighting the stove

- Ensure that there is enough water in the heating system (with add-in boiler).
- Do not light the fire if it is suspected that any part of the water system is frozen.
- Use crumpled paper or firelighters and enough kindling wood to obtain a good fire bed.
- Set thermostat control in maximum open position.
- Light the paper through the fuel retainer and close the loading doors.
- Once the embers are glowing, load the firebox with solid fuel and close the doors carefully.
- Once the fire is burning well, set the thermostat to desired position.
- At first lighting, build up heat slowly to allow the appliance to be correctly "run in".

Note :

The body of the stove may emit some fumes and give off a new paint smell for the first couple of hours. This is quite normal and you shouldn't worry about it. Make sure the room is well ventilated during initial use.

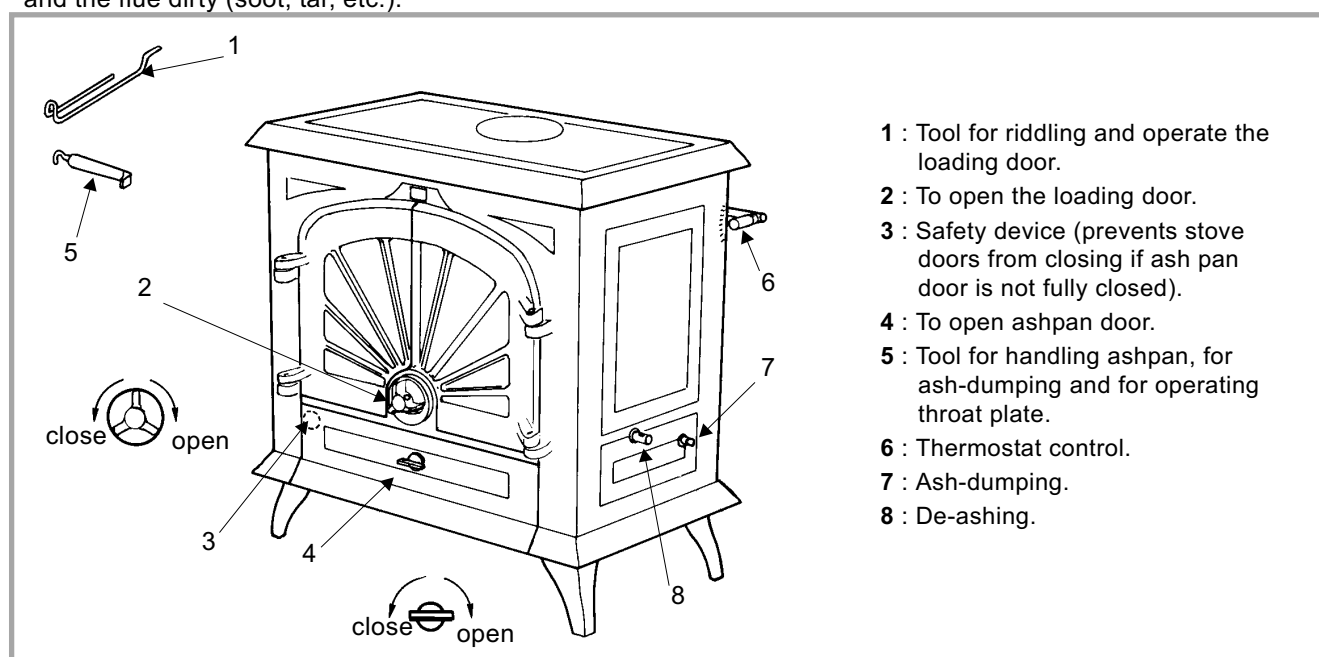


Figure 7 - Operating devices

3.3. Running the stove

Rate of burning is obtained by setting the thermostat control.

Experience will show you which settings are best for your situation. In general, the higher position is only required for lighting and restoring the fire.

Overnight burning :

Riddle and de-ash ; run on high setting the stove for about 15 - 20 minutes : once the embers are glowing well, stoke up the fire ; half close the thermostat control for about 15 - 20 minutes before finally setting the thermostat control for the night at low position.

De-ashing (fig. 8) :

Riddle and de-ash before refuelling and every time grates become congested. Keep fire bed and air inlet free from ash.

Riddle with vigorous forward and backwards movement of the riddling tool.

Ash dumping (fig. 9) :

With the casting handle, pull out control, then insert the wired handle in riddling control and turn downwards.

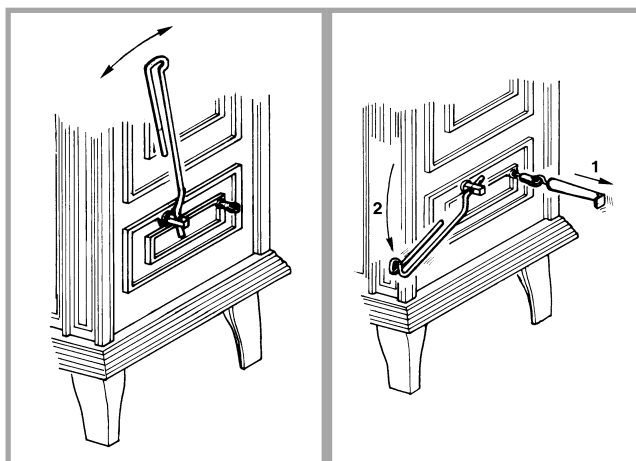


Figure 8 - De-ashing

Figure 9 - Ash-dumping

3.4. Maintenance

3.5. Care of the stove

Do not use abrasive cleaners, use a dry lint-free cloth or a soft bristle brush.

3.6. Cleaning the glass

Any deposits on the glass should clear when the stove is fired high. If there is any soot or tar left, first **do wait until the glass is cool**, clean with a proprietary stove glass cleaner.

Do not use abrasives cleaners.

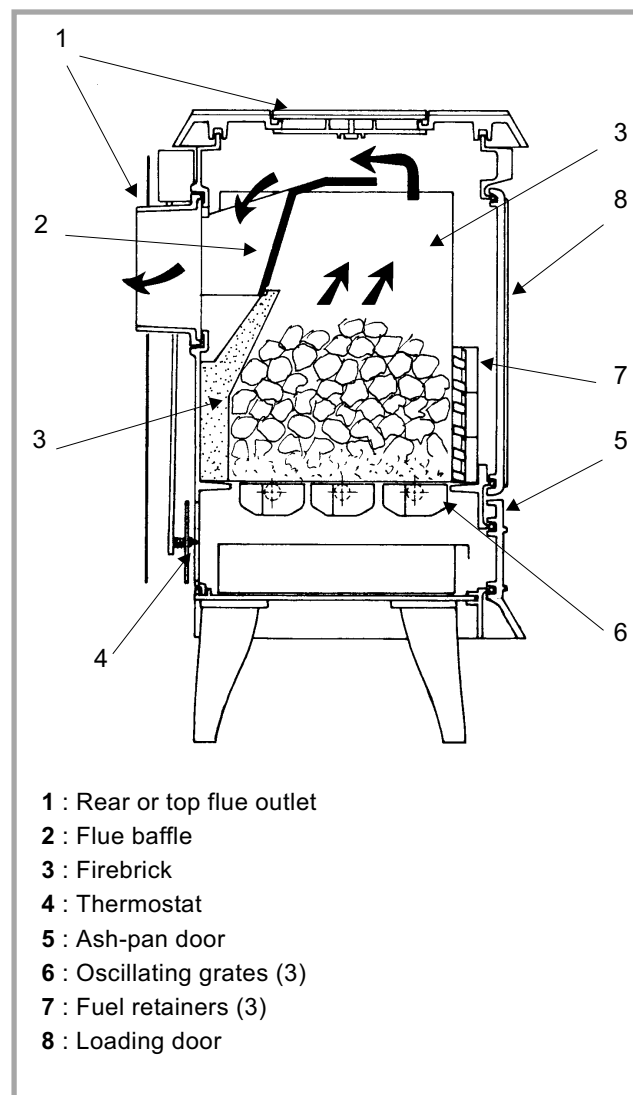
The glass will resist temperature up to 750°C. Do not replace broken-glass with substitute materials. Consult your usual FRANCO-BELGE supplier.

3.7. Flue cleaning and summer time

The chimney and the connecting flue pipe must be swept a least once a year. Also remove any deposits

from the oscillating grates, the firebox surfaces and the flue collar. Keep the air inlet door free from ashes.

If left unused for long periods (E.g. summer months) clean the appliance thoroughly, disconnect flue pipe and block the chimney, leave all air inlets fully open.



- 1 : Rear or top flue outlet
- 2 : Flue baffle
- 3 : Firebrick
- 4 : Thermostat
- 5 : Ash-pan door
- 6 : Oscillating grates (3)
- 7 : Fuel retainers (3)
- 8 : Loading door

Figure 10 - Description

3.8. Removing the oscillating grates

Figure 11 :

De-ash and scale (see fig. 9) the grates. Open the loading door and remove the fuel retainers. Remove the 3 firebricks. Lift up the left part of the oscillating grate, push it to the left and when the right part of the grate is free, tip it up completely. In case of exchanging old grates by new ones, operate one grate by one grate to make sure you keep the riddling device to the right place. After the exchange, check if riddling can be done easily without jamming.

When replacing grates or firebricks in models with add-in boiler, the system must be drained down and the back boiler removed prior to re-fitting the new parts.

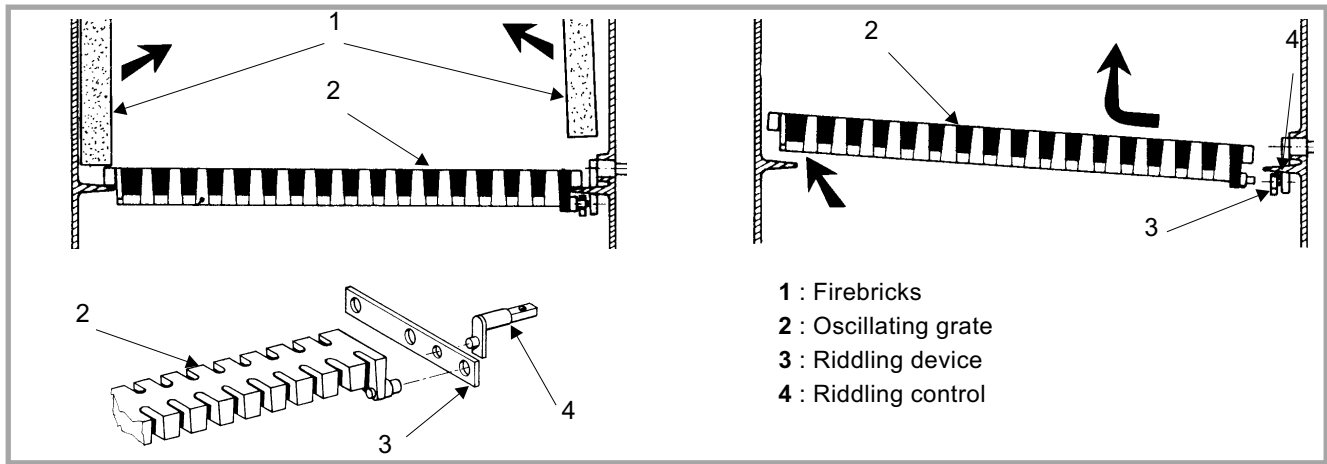


Figure 11 - Removing the oscillating grates

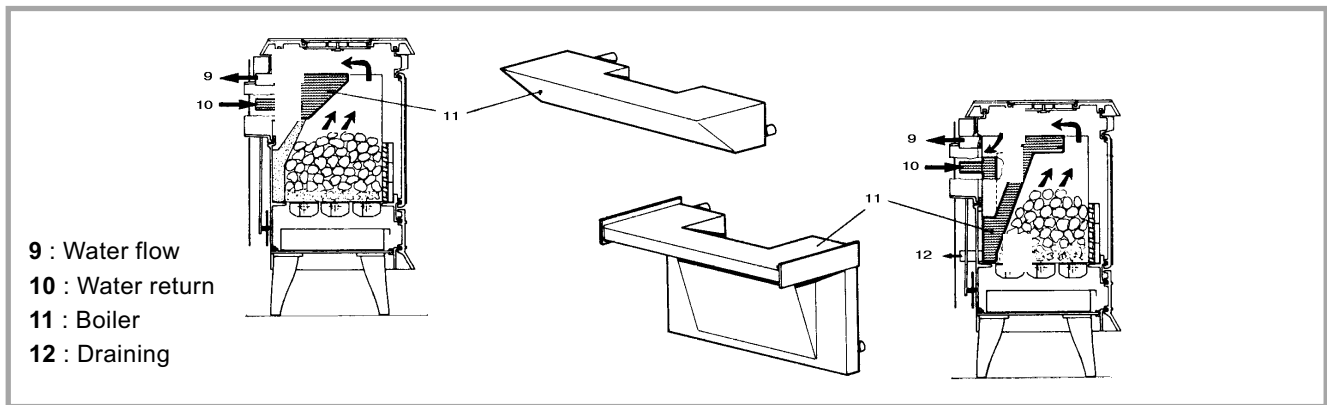


Figure 12 - Stove with boiler

3.9. Trouble Shooting

Problem	Probable causes	- Corrective action
Fire difficult to start Fire goes out	Wood green, too damp or poor quality	- Use the recommended fuel
	Logs are too big	- To light the fire, use small, very dry twigs. To maintain the fire, use split logs
	Air starvation	- Open lower spin wheel and top air control lever
	Insufficient draught	- Check that the flue is not obstructed, sweep it if necessary - Seek advice from a chimney specialist
Fire burns too quickly	Too much draught	- Ensure that the lower spin wheel is closed - Partially close the top air control lever
	Excessive draw	- Install a draught stabiliser. Consult your Dealer
	Poor quality wood	- Do not continuously burn small wood, sticks, bundles, carpentry offcuts (plywood, pallets), etc.
Smokes when lighting up	Flue duct is cold	- Burn paper and kindling wood to increase heat
	Room is in decompression	- In houses equipped with mechanical ventilation, partly open a window until the fire is well established
Smokes while burning	Draught is insufficient	- Consult a chimney specialist. - Check that the flue is not obstructed, sweep if necessary
	Down draught	- Install an anti-down draught cowl. Consult your Dealer.
	Room is in decompression	- In houses equipped with CMV, an outside air intake must be installed for the chimney
Low heat output	Incorrect Fuels	- Use the recommended fuel

4. List of components

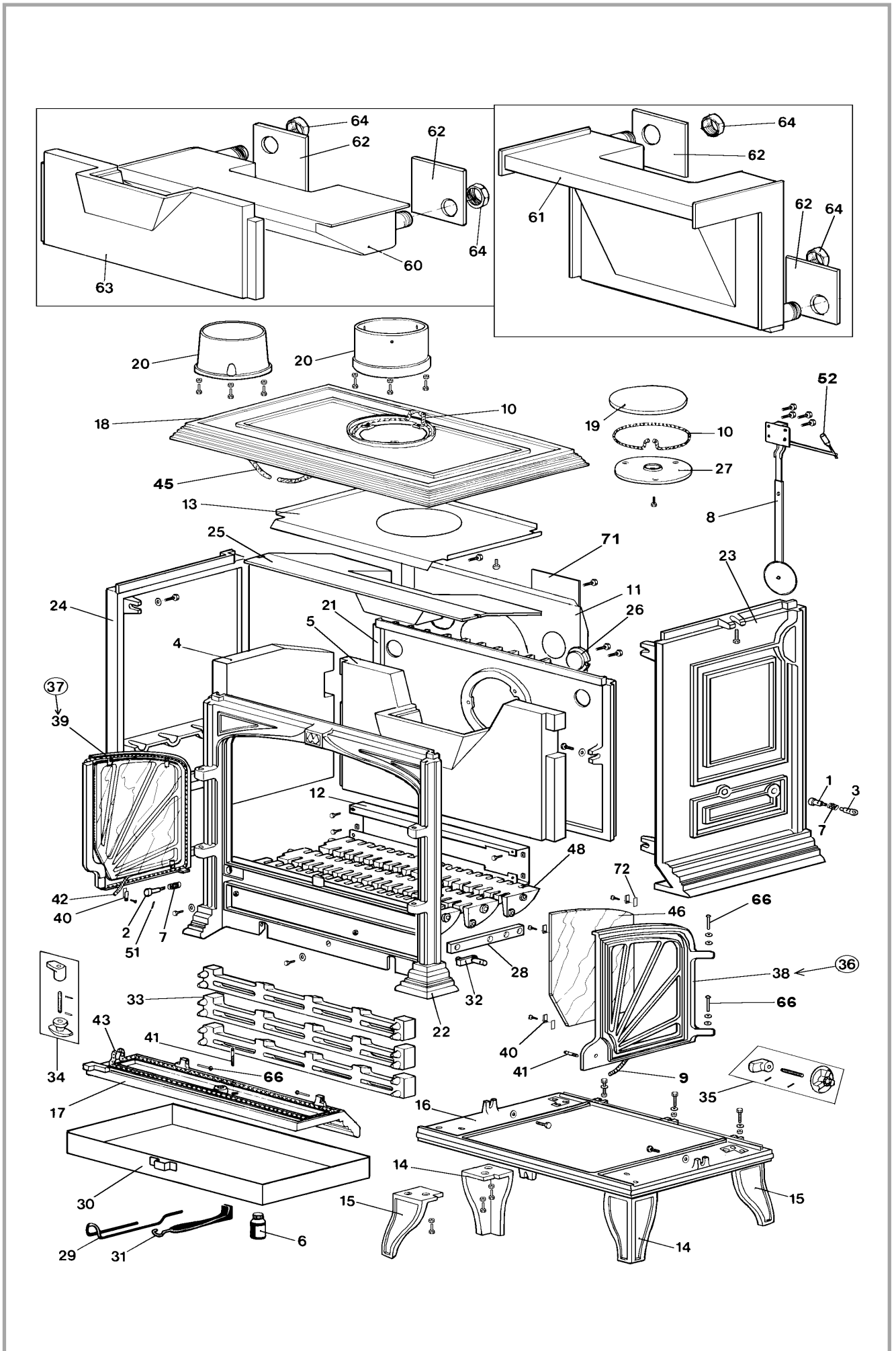
When ordering spare parts, specify the stove type and serial number, including the colour index (on the guarantee or identification plate), the name of the part and the part number.

Example : "Lorraine MF" stove, model 124 13 01 L, cast top plate 302108-77

Y = 124 13 01 Y - L = 124 13 01 L - K = 124 13 01 K

N°	Code	Description	Type	Qty.	Y	L	K
1	100960	Axis		01	Y	L	K
2	100961	Axis		01	Y	L	K
3	105123	Adh dump knob		01	Y	L	K
4	105233	Firebrick		02	Y	L	K
5	105234	Firebrick		01	Y	L	K
6	161025	Brown touch up kits		01		L	
6	161026	Blue touch up kits		01			K
7	166042	Spring		02	Y	L	K
8	179014	Thermostat		01	Y	L	K
9	181614	Ceramics rope	Ø 9,5	1,10 m	Y	L	K
10	181604	Ceramics rope	10 x 4	1,00 m	Y	L	K
11	205335	Back panel		01	Y	L	K
12	208407	Heat shield		01	Y	L	K
13	262307	Heat shield		01	Y	L	K
14	300105	Leg		02	Y		
14	300105	Leg		02		L	
14	300105	Leg		02			K
15	300217	Leg		02	Y		
15	300217	Leg		02		L	
15	300217	Leg		02			K
16	300462	Base Plate		01	Y	L	K
17	301146	Ash pan door		01	Y		
17	301146	Ash pan door		01		L	
17	301146	Ash pan door		01			K
18	302108	Cast top plate		01	Y		
18	302108	Cast top plate		01		L	
18	302108	Cast top plate		01			K
19	303718	Blanking plate		01	Y		
19	303718	Blanking plate		01		L	
19	303718	Blanking plate		01			K
20	303826	Flue collar		01	Y		
20	303826	Flue collar		01		L	
20	303826	Flue collar		01			K
20	303827	Flue collar		01	Y		
20	303827	Flue collar		01		L	
20	303827	Flue collar		01			K
21	306219	Firebox rear plate		01	Y	L	K
22	309834	Front plate		01	Y		
22	309834	Front plate		01		L	
22	309834	Front plate		01			K
23	310714	Right plate		01	Y		
23	310714	Right plate		01		L	
23	310714	Right plate		01			K
24	310814	Left plate		01	Y		
24	310814	Left plate		01		L	

N°	Code	Description	Type	Qty.	Y	L	K
24	310814	76	Left plate	01			K
25	323211	Flue baffle		01	Y	L	K
26	325304	Closing		03	Y	L	K
27	327801	Inner plate		01	Y	L	K
28	404301	Riddling rod		01	Y	L	K
29	442100	Riddling bar		01	Y	L	K
30	624033	Ash pan		01	Y	L	K
31	808001	ED	Opening tool	01	Y	L	K
32	900914	De-ash latch		01	Y	L	K
33	307422	Face grate		01	Y	L	K
34	900915	Lock complete		01	Y		
34	900916	Lock complete		01		L	
34	900917	Lock complete		01			K
35	900918	Knob complete		01	Y		
35	900919	Knob complete		01		L	
35	900920	Knob complete		01			K
36	988733	Right door complete		01	Y		
36	988734	Right door complete		01		L	
36	988735	Right door complete		01			K
37	988736	Left door complete		01	Y		
37	988737	Left door complete		01		L	
37	988738	Left door complete		01			K
38	303508	Right door		01	Y		
38	303508	77	Right door	01		L	
38	303508	76	Right door	01			K
39	309944	Left door		01	Y		
39	309944	77	Left door	01		L	
39	309944	76	Left door	01			K
40	259015	Square		08	Y	L	K
41	189105	Screw	28 x 8 x 7	02	Y	L	K
42	181632	Ceramics rope		1,72 m	Y	L	K
43	181602	Ceramics rope		1,80 m	Y	L	K
45	181615	Ceramics rope	Ø 12.	1,70 m	Y	L	K
46	188737	Refractory glass		02	Y	L	K
48	934801	Oscillating grate with axis		03	Y	L	K
48	934800	3 oscillating grates		-	Y	L	K
51	134751	Pin	3,5 x 18	02	Y	L	K
52	158620	Handle		01	Y	L	K
60	911114	Water jacket		01	Y	L	K
61	911113	Water jacket		01	Y	L	K
62	427002	Seal		02	Y	L	K
63	105238	Firebrick		01	Y	L	K
64	122703	Nut		02	Y	L	K
64	122703	Nut		03	Y	L	K
66	110405	Hinge pin	6 x 35	06	Y	L	K
71	158171	Descriptive plate		01	Y	L	K
72	142881	Ceramics rope		08	Y	L	K





FRANCO BELGE



Conditions of Guarantee for United Kingdom only

1. The guarantee period is for 12 months from the date of purchase with the exception of main body castings which are covered by the guarantee for a period of 5 years from the date of purchase.

2. This guarantee is provided as an additional benefit and does not affect any other statutory or other rights of the consumer.

3. The guarantee is only valid in the UK.

4. The appliance must be installed and operated in accordance with the Installation and Operators Instructions provided.

5. The guarantee only covers manufacturing faults. The guarantee does not apply to consumable items such as glass, steel or cast iron grates and baffle

plates. The guarantee does not apply to any damage caused by accident or wear & tear.

6. In the event of a problem, before making any claim on this guarantee, please ensure that the appliance has been installed and commissioned correctly and that the chimney is operating to the correct draught. Please refer to your Operators Manual. If you are unable to resolve the problem, please report the fault to your dealer quoting the date of purchase and model reference.

7. Should the product or a product component be found to be at fault during the period of this guarantee, the product or component will either be replaced or repaired.

8. This guarantee does not cover any claims for consequential losses or damage.

To register your guarantee, fill in the form below and return to :

**ACR Heat Products
P O Box 70
Knowle
Solihull
B93 0ET
United Kingdom**

•

Name

Address

Postal Code

Telephone (day time).....

E-mail address.....

Model Name : 124 13 01

Colour : Y L K

Serial Number

Where purchased

Name of Installer

Address of Installer



☞ *Guarantee certificate* ☞

☞ **Legal guarantee**

The specifications, dimensions and information shown on our documents are provided for information purposes only and under no circumstances are binding upon the vendor. With the aim of constantly improving our equipment, all modifications considered as necessary by our departments may be made without notice.

The provisions of the present guarantee certificate are not excluding or limiting the owner of the equipment's rights, concerning the legal guarantee regarding faults or hidden vices which applies in all circumstances, in the conditions detailed in articles 1641 and following of the civil code, and in the country in which the equipment was purchased.

☞ **Contractual guarantee**

Our equipment is guaranteed against faults and hidden vices subject to the following conditions:

- 1) Installation and adjustment of the device by a professional installer.
- 2) Observance of the instructions provided in our technical documents and our installation/adjustment instructions.
- 3) The installation, use and maintenance of the device carried out in conformity with the applicable standards and legislation, and with the indications provided in the technical instructions accompanying the device.

This guarantee covers the replacement, in our factory, of parts recognised as being defective from the outset by our "Guarantee Inspection" Department. Carriage and labour

is at the user's cost. Moreover, if the repair or replacement of parts covered by the guarantee is found to be too costly vis-à-vis the price of the appliance, the decision to replace or repair the appliance will be taken by the vendor.

Our guarantee is for 2 (two) years for all appliances, with the exception of closed combustion fireplace and inserts for which our guarantee is 5 (five) years excluding the following:

- 1) Indicator lights, fuses, electrical elements and fans.
- 2) Parts subject to wear or in contact with high temperatures namely: soles and burner grills, bottom plates baffles, ash pans, paintwork and surface treatments for decorative parts. Also excluded from this guarantee are seals and windows.
- 3) Any damage which may result from the use of the appliance with a fuel other than that stipulated in our instructions.
- 4) Damage occurring to parts caused by elements outside the appliance (down draught, storm damage, damp, abnormal pressure or vacuum, heat shocks, etc.).
- 5) Damage to electrical parts caused by plugging in and using the appliance on a mains system, the voltage of which (measured at the entrance to the appliance) is 10% above or below the nominal voltage of 220 V.

☞ **Exclusion of liability**

In the case of a product manufactured at the client's request, under no circumstances may we, as a subcontractor, be considered liable vis-a-vis the client or third parties for defects arising from the installation or a design fault with the item in question.

☒ Name and address of the installer : _____

☎ Telephone : _____

☒ Name and address of the customer : _____

Date of installation : ____ / ____ / ____

Model of the appliance : 124 13 01

Color : Y L K

Serial number : _____

- This certificate has to be completed and kept carefully.

In case of claims, send a copy of this to :

STAUB FONDERIE
BP 73, 59660 MERVILLE, FRANCE.