

Product Bulletin/Edition	PB166/Ed1
Department/Product/Fuel	Franco Belge/LIMOUSIN/MF
Date: Month/Year	November/2018

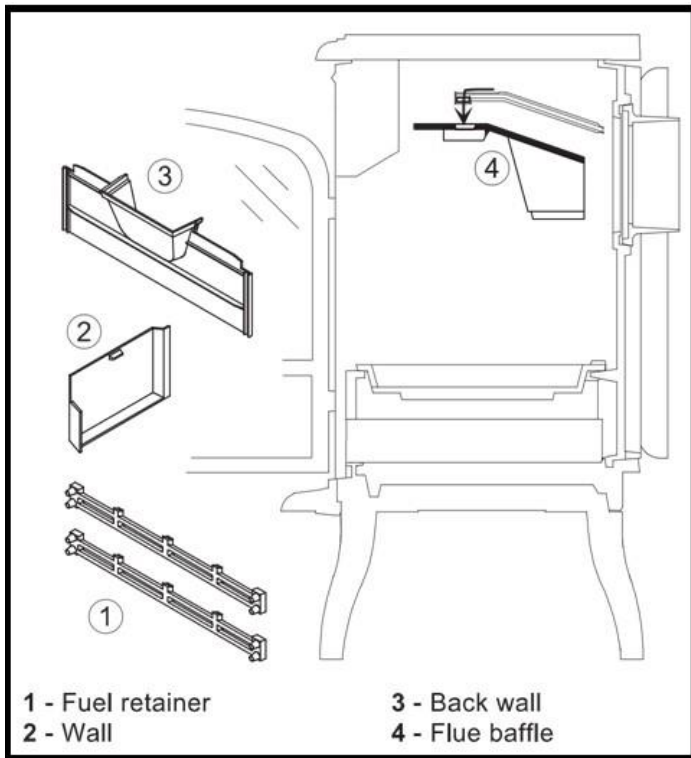
Limousin Baffle Fitting FB323211

The baffle, FB323211, has to be fitted carefully ensuring that it locates correctly in the top of the stove.

There is a correct order to fit the cast iron plates within the stove to be able to get the top baffle in place.



Removal of the old baffle



First remove the log retaining guard (1) which is made up of two identical parts (FB307422).



The two side protection plates (2) can then be removed from the stove.



The rear protection plate (FB305150) can then be removed.



This leaves the baffle suspended in the top of the stove.

Slide it forward so that the cut outs in the baffle line up with the with the cast iron lugs on the side panels on either side and then drop it down.

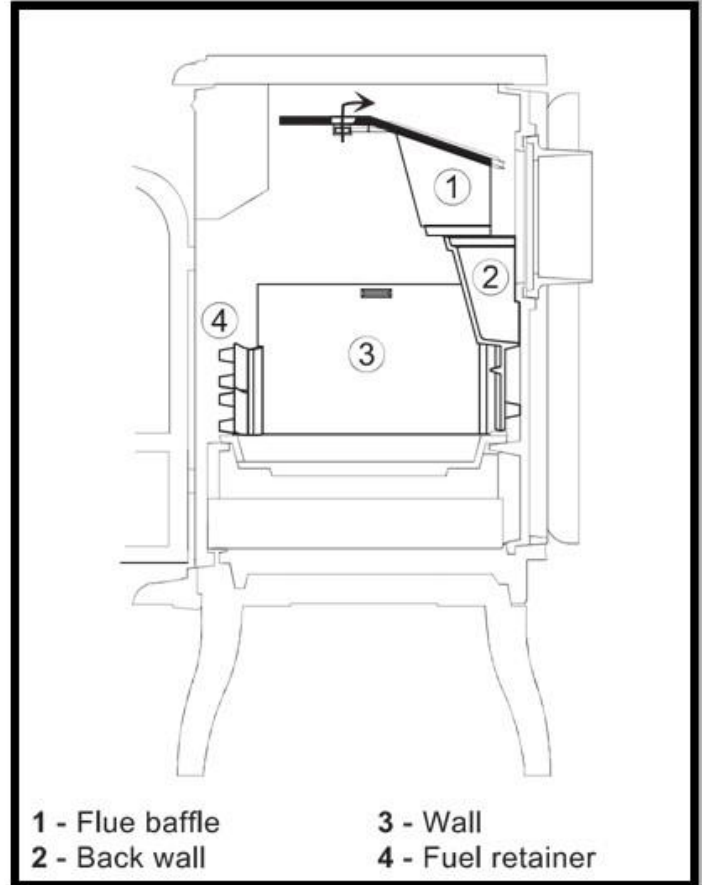
Be careful as this is heavy when released and could drop onto your arms.

Product Bulletin/Edition	PB166/Ed1
Department/Product/Fuel	Franco Belge/LIMOUSIN/MF
Date Month/Year	November/2018

Limousin Baffle Fitting FB310729

Vacuum all ash out from inside the stove to ensure the replaced protection plates sit correctly.

Refitting requires the baffle (1) to be fitted first. If you fit the baffle last you cannot get it to locate properly onto the two lugs on the side walls of the stove.



Angle the baffle to get it through the door and then lift it so that the cut outs on the baffle allow the baffle to be lifted so that it can be slid backwards supported by the castings on the side walls of the stove.

Then the rear protection plate can be refitted. You may have to lift the bottom of the baffle up slightly to get the rear plate into position and then slide the baffle back so that it locates into the housing on the plate.

The two side protection plates can then be put back into the stove followed by the two part log guard.