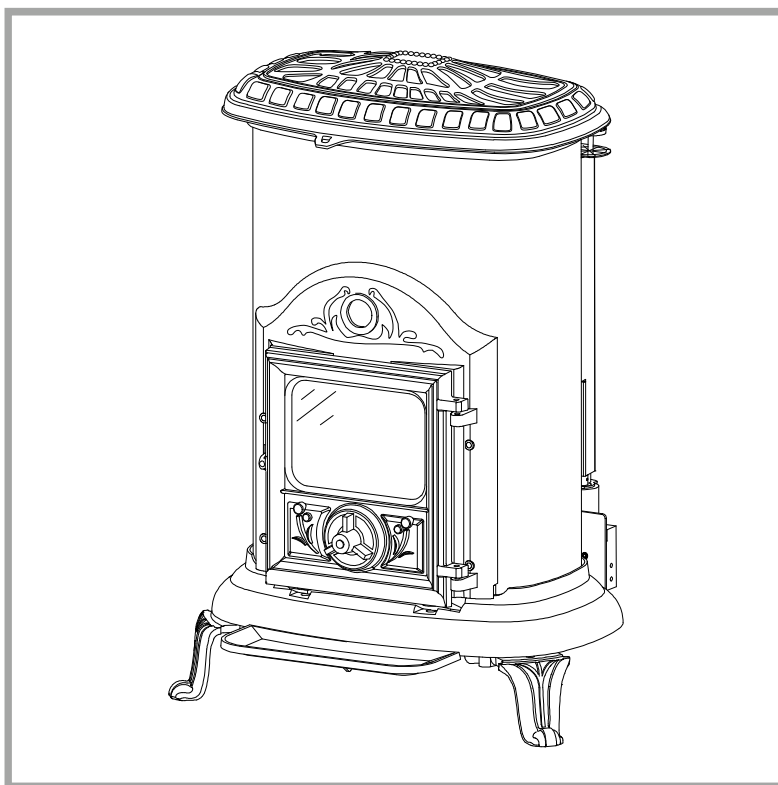


Model : 154 07 05

Gas stove (type B11AS)

norm NF EN 613



Description of the appliance

Installation instructions

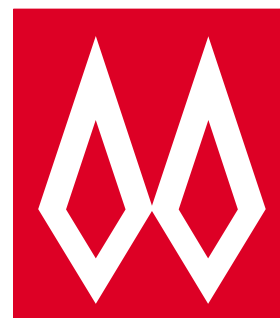
Operating instructions

Spare parts

Warranty certificate



Technical manual
to be saved
by the user
for future reference



FRANCO BELGE

STAUB FONDERIE

SARL with the capital of 10 000 000 €

Head Office Address
Administration and manufacturing
Rue Orphée Variscotte
59660 MERVILLE (FRANCE)

Telephone : 00 333 28 43 43 00
Fax : 00 333 28 43 43 99

R.C.S. DUNKERQUE
SIREN 444 821 953

Subject to modifications.

FRANCO BELGE congratulates you on your choice.
 FRANCO BELGE, guarantees the quality of its appliances and is committed to meet its
 customers' needs.
 FRANCO BELGE, which can boast a 80-year experience in the industry of heating devices, uses
 state-of-the-art technologies
 to design and manufacture its whole range of products.
 This document contains instructions on how to install your appliance and make full use of its
 functions, both for your comfort and safety.

CONTENTS

Description of the unit		p. 3
Package	p. 3	Stove dimensions
Specifications	p. 3	Safety advice
Operating principle	p. 3	
Installation instructions		p. 5
Warning to the user	p. 5	Maintenance
Check appliance	p. 5	Replacing the thermocouple
Location of the unit	p. 5	Coals
Flue	p. 5	Removing the burner
Chimney connector	p. 5	Commissioning the Stove
Connecting the gas supply	p. 6	Trouble shooting
Pressure testing	p. 6	
Instructions for user		p. 9
Lighting	p. 9	Maintenance
Shutting down	p. 9	Safety advice
Recommendations	p. 9	
Spare parts		p. 10

This appliance is a gas stove.

WARNING

An incorrectly installed gas stove can cause serious accidents.

The appliance must not be operated if the glass is cracked or broken.

Incorrectly installed gas appliances can be dangerous and possibly cause serious accidents.

The manufacturer's responsibility shall be limited to the supply of the appliance.

1. Description of the unit

1.1. Package

The package will contain the following parts :

- Gas stove with burner
- Ceramic coals

1.2. Specifications

		Continental natural gas Model 154 07 05	
Category		I ₂ H	I ₂ E+
Gas	GN	G 20	G20 / G25
Inlet gas pressure	mbar	20	20 / 25
Countries of destination		CH-AT-DK-ES-FI-GB -IE-IT-PT-SE	FR-BE
Product Identification	No.	0063BQQ5605	
Gross calorific value (heat input)	kW	7,8	7,8 / 7,1
Nominal output	kW	6,5	6,5 / 5,8
Efficiency classification	Class	2	2
NOX	Class	1	1
Supply pressure	mbar	6,8	6,8 / 8,7
Gas rate (max.)	m ³ /hr	0,830	0,830 / 0,860
Gas rate (min.)	m ³ /hr	0,300	0,300 / 0,310
Injector	N°	82-1050	82-1050
Heated volume	m ³	180	180
Weight	Kg	40	40

1.3. Operating principle

The appliance "Continental" is designed for operating only with the door closed.

This stove is equipped with a gas block EUROSIT.

The appliance is fitted with a 'Flame Supervision Device' (FSD). If the burner should become accidentally extinguished, the FSD will automatically cut off the gas supply and a thermostat of the modulating type (all, little, nothing) automatically regulating the output of gas to the burner according to the desired temperature.

The appliance is fitted with a thermostatic switch which senses any excess temperature due to a flue blockage.

The thermostatic switch cuts the thermocouple circuits and blocks the gas valve safety device when detecting an important flue blockage.

Heat is mainly diffused by radiation through the window and by hot air diffusion around the body of the appliance.

1.4. Stove dimensions

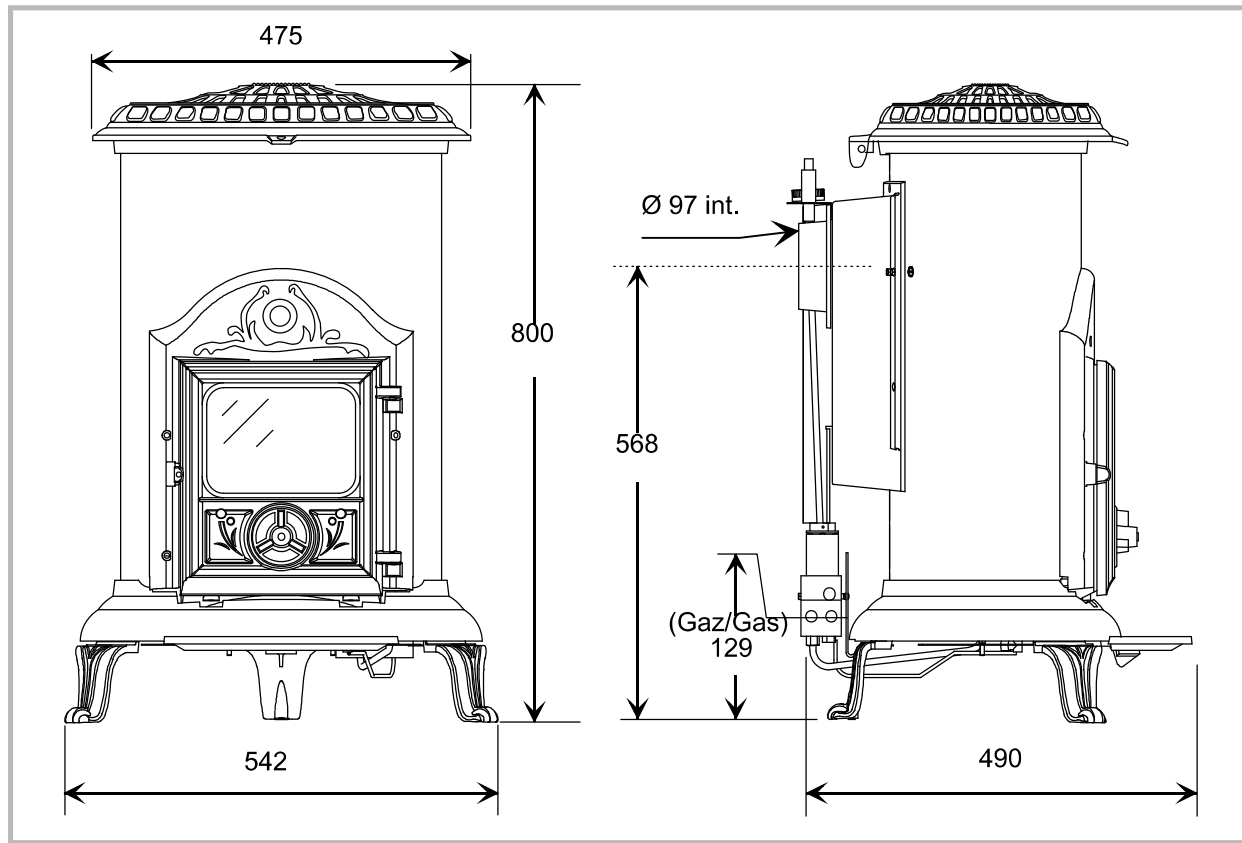


Figure 1 - Dimensions in mm

1.5. Safety advice

The Continental is designed to be used on either Natural Gas natural (G20) or (G25). However the stove may only be used on the specific gas requested at the time of purchase, and the stove data plate should be checked before fitting is commenced to ensure that the correct gas is specified.

This appliance has been designed, tested and approved to meet standards in place for product use, performance and safety.

This appliance is designed as an efficient heating device and consequently all body parts become very hot in use and should not be touched.

Bearing in mind that the heat given off by this appliance may affect articles placed close to it (see figure 2, page 5).

The appliance is not designed as a dryer. It is not therefore recommended that the appliance be used in such a manner. Do not place any articles within (see figure 2, page 5), of this appliance as this may result in damage to the articles.

This appliance must be installed in accordance with the rules in force and used only in a sufficiently ventilated space.

2. Installation instructions

2.1. Warning to the user

Installation and maintenance of the apparatus must be carried out by a qualified professional following the instruction manual supplied with the apparatus, in compliance with current regulations and standards:

2.2. Check appliance

Check the apparatus immediately after delivery.

Ensure that the appliance conforms to the type of gas distributed and the method of venting away the combustion products as per the indications on the appliance's information plate and the gas setting label affixed to the appliance when it leaves the factory.

The appliance is adjusted and sealed in accordance with category I_{2E+} for France and Belgium.

Notify the vendor if there is any damage or fault.

2.3. Location of the unit

Ensure the location for the installation is in accordance with the building regulations.

Ventilation : The ventilation rate should be of at least 22 m³/h.

Floor : Make sure that the floor is not made of combustible materials or materials which can be damaged in contact with heat.

Provide adequate insulation if the floor is combustible.

Position the unit to comply with the minimum clearances to combustible material (rep. A, fig. 2) with the non-combustible material walls (rep. B, fig. 2).

2.4. Flue

The flue must comply with Current Building Regulations. If in doubt, consult your Dealer or local Building Inspector.

- The flue must be in good condition and must provide sufficient draught.
- The flue must be suitable for the installation of gas burning appliances ; otherwise it must be necessary to install a lining.
- The flue must be clean. It should be swept to remove soot and dislodge tar deposits.
- The flue must be well insulated. If the flue inner wall surfaces are cold, a good thermal draught is impossible causing condensation problems to occur.
- The conduit to flue must be sealed and have a purging T.
- The conduit to flue must be of normal cross-section and constant throughout its height, with a cross-section at least equal to that of the appliance's nozzle.
- The chimney must be at least 4.5 m (15 ft) high and be at 40 cm above the ridge of the roof and 8 meters away from any construction.
- In case of a flat roof or when the roof gradient is lower than 15°, the stack must be 1,2 m (4 feet) high at least.
- The capping must not restrain the draught.

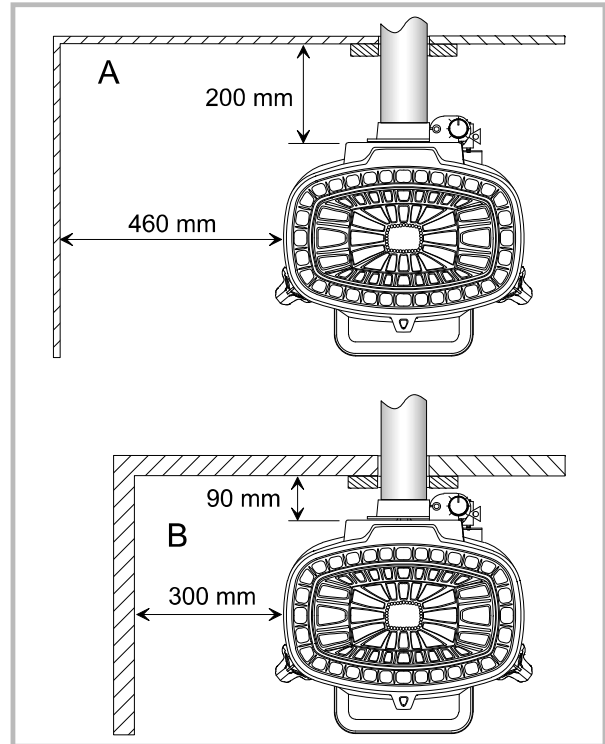


Figure 2 - Minimum clearances

- If the chimney has a down-draught tendency, due to its position in relation to nearby obstacles, an anti-down-draught cowl must be installed on the chimney or the chimney height must be increased.

2.5. Chimney connector

The appliance is designed to be connected to a gas flue.

The flue must comply with Current Building Regulations. If in doubt, consult your Dealer or local Building Inspector.

Pipe diameter must not be less than the appliance spigot diameter.

The flue connector should be dismantlable and allow the apparatus to be removed.

The connection pipe and any draught stabiliser must have access for cleaning.

The connector pipe must be approved for installation with combustion products (either 24 ga. Black painted or blued steel or 316 grade 20 ga. Stainless steel or 1 mm vitreous enamelled steel). The join between the connection pipe and the stovepipe, and the flue, must be leak tight.

- The connection can be either horizontal.
- The flue connector should be dismantlable and allow the apparatus to be removed.
- The appliance must be located in a way to provide enough space on the top and the rear to guarantee a correct operation for the draught diverter.

2.6. Connecting the gas supply

The appliance connection onto the gas supply line has to be done as per the Building regulations.

First ensure that the appliance is appropriate for gas used.

- Connect the pipe work to the apparatus so that it is airtight with a three-piece connector (biconal connector) that allows the apparatus to be easily dismantled.
- It is important to ensure that all pipework installed is fitted in accordance with BS6891 and is capable of supplying sufficient gas flow and pressure to meet the minimum pressures quoted in the front of this manual. 12 mm pipe may only be used for the final connection to the stove, or within 1 meter of the appliance. An 12 mm nut and olive is supplied with the stove for the final pipe joint.
- A gas supply isolation tap must be installed in the supply pipework in a location that is easily accessible, such that the appliance may be isolated if necessary.
- Check the tightness of the pipes using soapy water or detergent.
- Do not make any connections to the appliance until all supply pipes have been purged to expel any dust or debris. Failure to do this may result in a blocked injector or tap and will invalidate the guarantee. View on under side of stove to show final connection of 12 mm pipe to stove.
- Although a gas soundness test is made on all appliances before they leave the factory, the appliance should be tested for soundness before operating the stove. This is to ensure that the burner has not been damaged in transit.

2.7. Pressure testing

The gas pressure to the stove must be measured at the burner test nipple.

For Natural gas this measured with the appliance in the full rate position (refer to technical details p. 3).

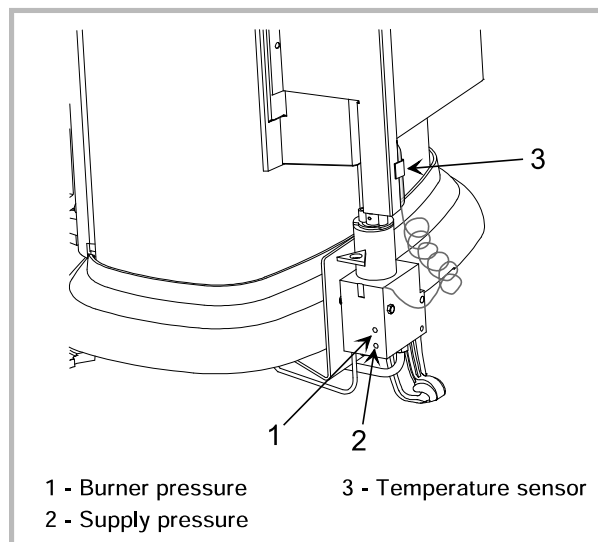


Figure 3 - Pressure screw

2.8. Maintenance

Annual maintenance by a specialist ensures that the appliance will operate correctly during the heating seasons.

2.8.1. Cleaning of the hearth

Prior to any work starting ; make sure that the gas is turned off and the appliance is cold.

- Loosen the grub screw to open the appliance door.
- Remove the coals (fig. 6 and 5) and baffles (fig. 4) in the order of the reference marks.
- Any broken coals **MUST** be replaced with new coals (available from your Dealer). There is an optimum number of coals required for the appliance to operate correctly.
- Clean any deposition of lint off the burner. Using a vacuum, carefully remove any deposits from the burner.
- Examine the glass to ensure this in good condition and then clean the glass surface.
- Replace the components back onto the burner in their correct positions (fig. 5 and 6).
- Close the appliance door and lock it with the grub screw before using the appliance.

To ensure safe operation of this appliance, the appliance must be serviced annually and we recommend you only fit genuine Franco Belge spare parts to this appliance.

2.9. Replacing the thermocouple

Unscrew the screw fixing the thermocouple to the body of the pilot light, unscrew the nut holding the valve, remove the thermocouple and replace it. The screw must be tightened by hand, before being tightened very gently with a spanner.

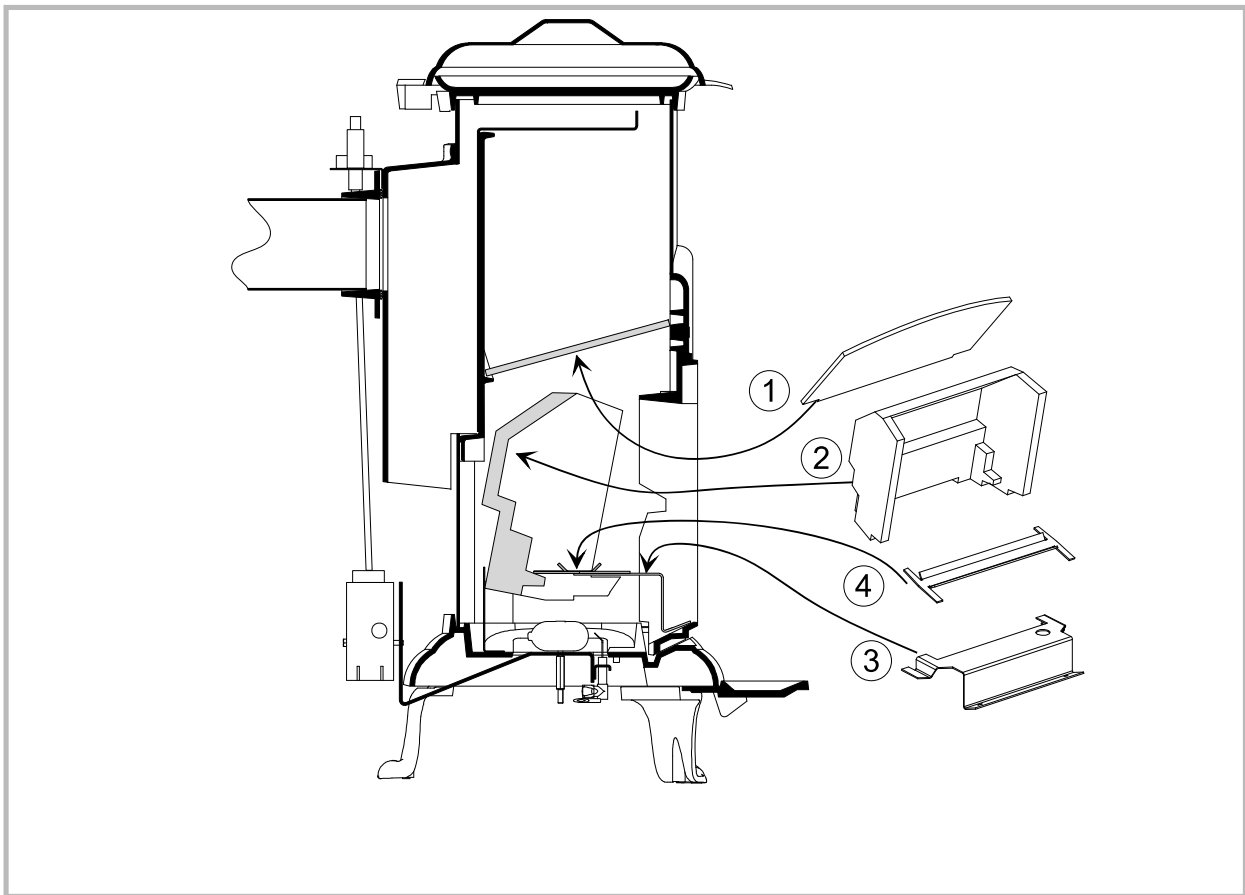


Figure 4 - Positioning of the refractory elements

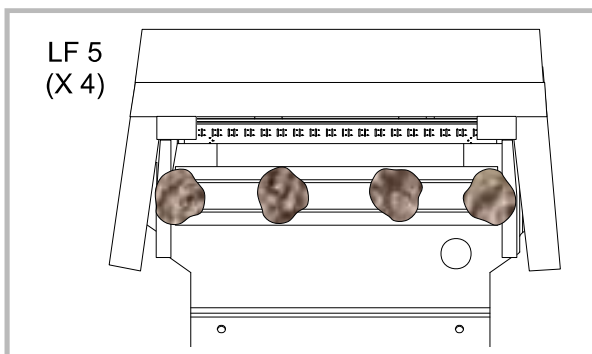


Figure 5 - Ceramic coals (type LF 5)

2.10. Coals

Parts : 8 coals (type LF 23) and 4 coals (type LF 5).

- Fit the 4 ceramic coals (type LF 5) as shown in the diagram (fig.5).
- Fit the 8 ceramic coals (type LF 23) as shown in the diagram (fig. 6).

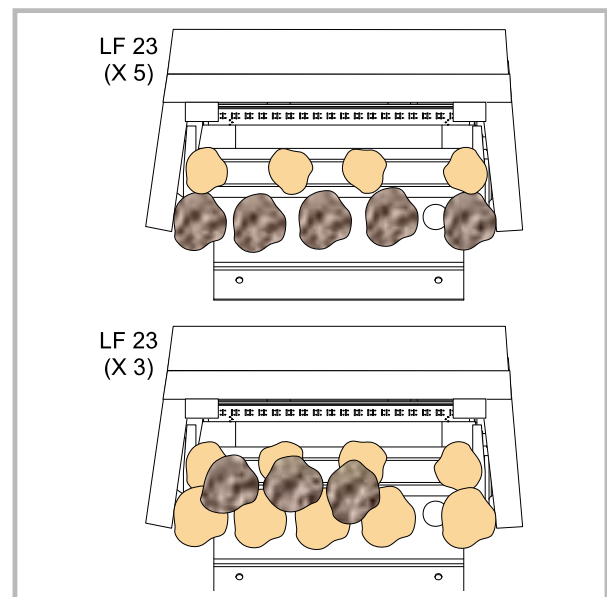


Figure 6 - Ceramic coals (type LF 23)

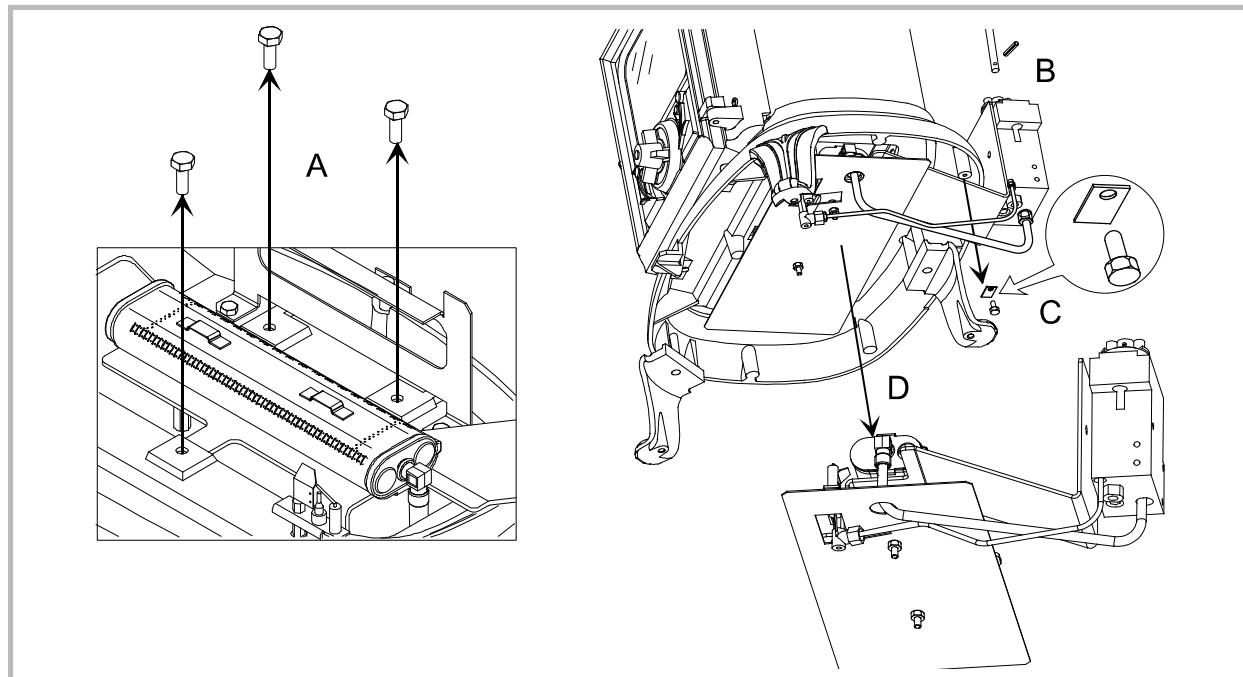


Figure 7 - Removing the burner

2.11. Removing the burner

Prior to starting work, ensure the gas supply is switched off and that the appliance is cold.

- Loosen the grub screw to open the door.
- Remove the parts, coals (fig. 6 and 5) on the flue baffle (# 1, 2, 3 and 4, figure 4).
- Remove the 3 screws from the burner holder (rep. A, fig. 7).
- Remove the pin from the spindle (rep. B, fig. 7).
- Remove the retaining bracket (rep. C, fig. 7).
- Remove the burner (rep. D, fig. 7).

2.12. Commissioning the Stove

- A spillage test **MUST** be made before the installed stove is left with the customer.
- Carry out the test by first closing all doors and windows in the room containing the stove.
- Ensure that the fire is burning at full rate for a minimum of 5 minutes.
- The test should be made over the full width of the draught diverter, and the test may be done from either left or right.
- If most of the smoke is not drawn into the draught diverter leave for a further 10 minutes and repeat.
- If there is a fan in the room (or adjacent rooms) the spillage test be repeated with the fan running on full power and all connecting doors between the fire and fan left open.
- If there are problems, the chimney/flue may require attention. Isolate the stove and seek expert advice.
- The stove will produce an odour and/or smoke during the first few hours of use. This is as a result of the paint curing and the ceramic coals curing. During this period,

we recommend that the room is ventilated properly and that you avoid long periods of time within this room

2.13. Trouble shooting

Piézo electric igniter : *The spark between the electrode and the head of the pilot light is not strong; no spark is made when the piézo is manipulated.*

- Check that the spark plug high-voltage cable has a good contact: Keeping the end of the cable approximately 3mm from the end of the spark plug, the spark should light when the piézo igniter is manipulated.
- Check that the spark plug insulator is not cracked by unscrewing the nut.
- Replace the spark plug if necessary.

Thermocouple : *When the apparatus is switched on, the pilot light flame is extinguished as soon as the "ignition" button is no longer kept pushed in.*

Possible causes :

- The thermocouple has not reached a high enough temperature, the pilot light flame is too short ; check that the fuel nozzle is not partially obstructed.
- Bad contact between the thermocouple connector on the valve. Check that the nut is correctly tightened; it must only be lightly tightened to prevent the insulating material from deteriorating.
- Carbon deposits on the outside of the thermocouple reduce heat conduction. Clean the end of the thermocouple with emery paper.

3. Instructions for user

The appliance is adjusted and sealed in accordance with category I_{2E+}. A qualified installer must connect and commission the appliance in accordance with the prevailing regulations; otherwise the guarantee is void.

Warning : You are strongly advised to protect unsupervised young children and handicapped people from the high temperature reached by the accessible operating surfaces and in particular the glass.

The control knob for the gas unit (fig. 8) is located on the back of the stove.

3.1. Lighting

Never push and twist the control knob at the same time.

If, when the apparatus is working, the knob is turned to the OFF (rep. A, fig. 8, position 0) a security locking device is activated (interlock) which prevents immediate re-lighting of the apparatus, except for the pilot light. **Warning,** if the pilot light is relit before the time lapse indicated below has passed, the main burner flame will not light.

If this happens, switch the apparatus off completely (rep. A, fig. 8, position 0) and repeat the process 1 minute later using the method described below.

For lighting :

1 - Check that the control knob is completely turned in a clockwise direction until it cannot be turned any further (rep. A, fig. 8, position 0).

2 - Turn the lever slightly anti-clockwise until it stops (rep. B, fig. 8, position 1).

3 - Without turning it, push the control knob right to in and keep in this position:

- Light the pilot light by pushing the pièzo igniter several times (rep. 1, fig. 8).

- Check that the pilot light is lit.

- Wait at least 10 seconds if the pilot light goes out, repeat operation **3.nds**.

To get the desired temperature :

Turn the knob anti-clockwise until the index matches the number selected.

- If the knob is turned clockwise (rep. A, fig. 8, position 0) the apparatus switches off and the valve stops in the locked position (interlock).

Wait for at least 1 minute and repeat operations **1** to **3**.

3.2. Shutting down

Turn the knob completely in a clockwise direction until the click indicating the pilot light position and up to the stop point (rep. A, fig. 8, position 0).

The integrated safety locking device (interlock) prevents the apparatus from re-lighting.

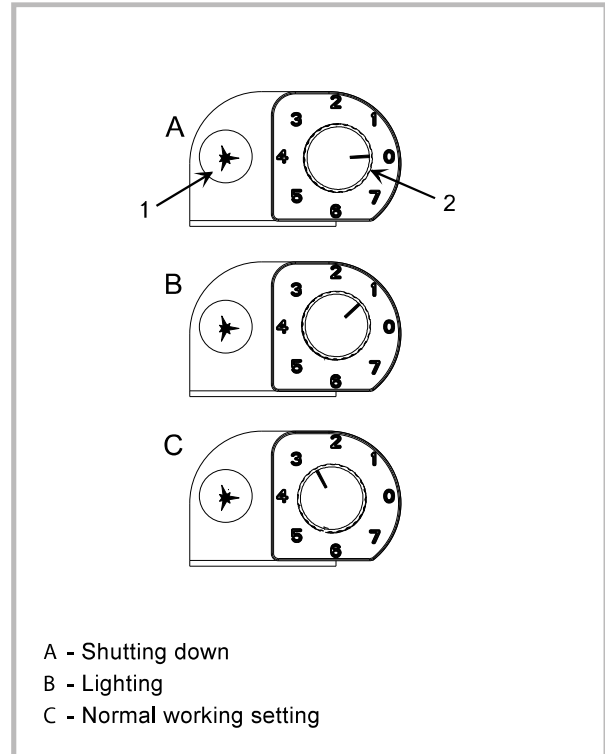


Figure 8 - Manual Tap

3.3. Recommendations

- When the fire is lit for the first time, the appliance may give off fumes from the new paint. This is normal but ensure the room is well ventilated during the first few hours operation.
- Whenever you ignite the appliance, ensure that the pilot light's flame is long enough (2-3cm) to light the burner rapidly. Too long a delay in ignition can become noisy and even dangerous.
- When the flame seems too short, notify your heating engineer so that he can clean the pilot light.
- Close the safety tap when the stove is not used.
- Under no circumstances should the appliance be operated with the door open or the door glass damaged.
- **If you smell gas : Do not smoke !** Avoid naked flames, extinguish cigarettes, do not turn on electric devices (electric switch). Open all windows and doors, close the gas tap, LEAVE THE BUILDING IMMEDIATELY and call your installer way from the scene.
- Never look for gas leaks with a naked flame. Check the tightness of the pipes using soapy water or detergent.

3.4. Maintenance

Appliance servicing must be done once a year during summer time by a qualified engineer to avoid any problem or fault during winter-time. This person will also check safety devices.

Clean the painted components and the glass with a sponge or a chamois leather to avoid dirt becoming encrusted. Do this when the appliance is cold using a suitable proprietary cleaner. Never use abrasive products.

3.5. Safety advice

- The stove may still be hot even when the fire has burnt out.
- This appliance produces heat and may cause severe burns if touched.

KEEP CHILDREN AWAY.

4. Spare parts

When ordering spare parts, specify **the stove type** and **serial number**, including **the colour** index (on the guarantee or identification plate), **the name** of the part and **the part number**.

Example : Gas stove " Continental ", ref. 154 07 05, color Y, top plate 352112 EF

A = 154 07 05 Y B = 154 07 05 L C = 154 07 05 J

N°	Code	Description	Type	A	B	C	D	Qty
1	100130	Adapter		A	B	C	D	01
2	100201	Lighter.		A	B	C	D	01
3	101826	Ring	Ø 8.	A	B	C	D	01
4	105468	Burner		A	B	C	D	01
5	106035	Regulating gas block		A	B	C	D	01
6	109722	Ceramic coal	45x45x30	A	B	C	D	08
7	109730	Ceramic coal		A	B	C	D	04
8	273601	Support		A	B	C	D	01
9	109878	Flue baffle.		A	B	C	D	01
10	109879	Flue baffle.		A	B	C	D	01
11	110404	Hinge pin	6x30	A	B	C	D	04
12	124454	Strut		A	B	C	D	02
13	139614	Injector NG	82/1050	A	B	C	D	01
14	142316	Gasket	7x3.	A	B	C	D	1,20 m
15	142881	Gasket		A	B	C	D	02
16	149868	Knob.		A	B	C	D	01
17	162869	Descriptive plate		A	B	C	D	01
18	179625	Regulator shaft		A	B	C	D	01
19	181617	Ceramic rope.	15x2	A	B	C	D	3,20 m
20	181625	Ceramic rope	Ø 7.	A	B	C	D	0,72 m
21	181632	Gasket	Ø 6.	A	B	C	D	0,76 m
22	182778	Feed line		A	B	C	D	01
23	182787	Pilot line.		A	B	C	D	01
24	188314	Pilot		A	B	C	D	01
25	188786	Refractory glass	220X159X4	A	B	C	D	01
26	202815	Support		A	B	C	D	01
27	207313	60 Back panel		A	B	C	D	01
28	217132	21 Shell.		A	B	C	D	01
29	222567	Flue baffle.		A	B	C	D	01
30	222616	Suppl. flue baffle		A	B	C	D	01
31	228615	Square		A	B	C	D	01
32	236518	60 Burner support		A	B	C	D	01
33	237009	10 Support		A	B	C	D	01
34	238002	Support		A	B	C	D	01
35	259027	Fixing plate		A	B	C	D	03
36	262610	Heat shield		A	B	C	D	01
37	276008	Plate.		A	B	C	D	01
38	300120	EF Leg		A				03
38	300120	77 Leg			B			03
38	300120	79 Leg.				C		03
38	300120	MK Leg					D	03
39	300492	EF Base.		A				01

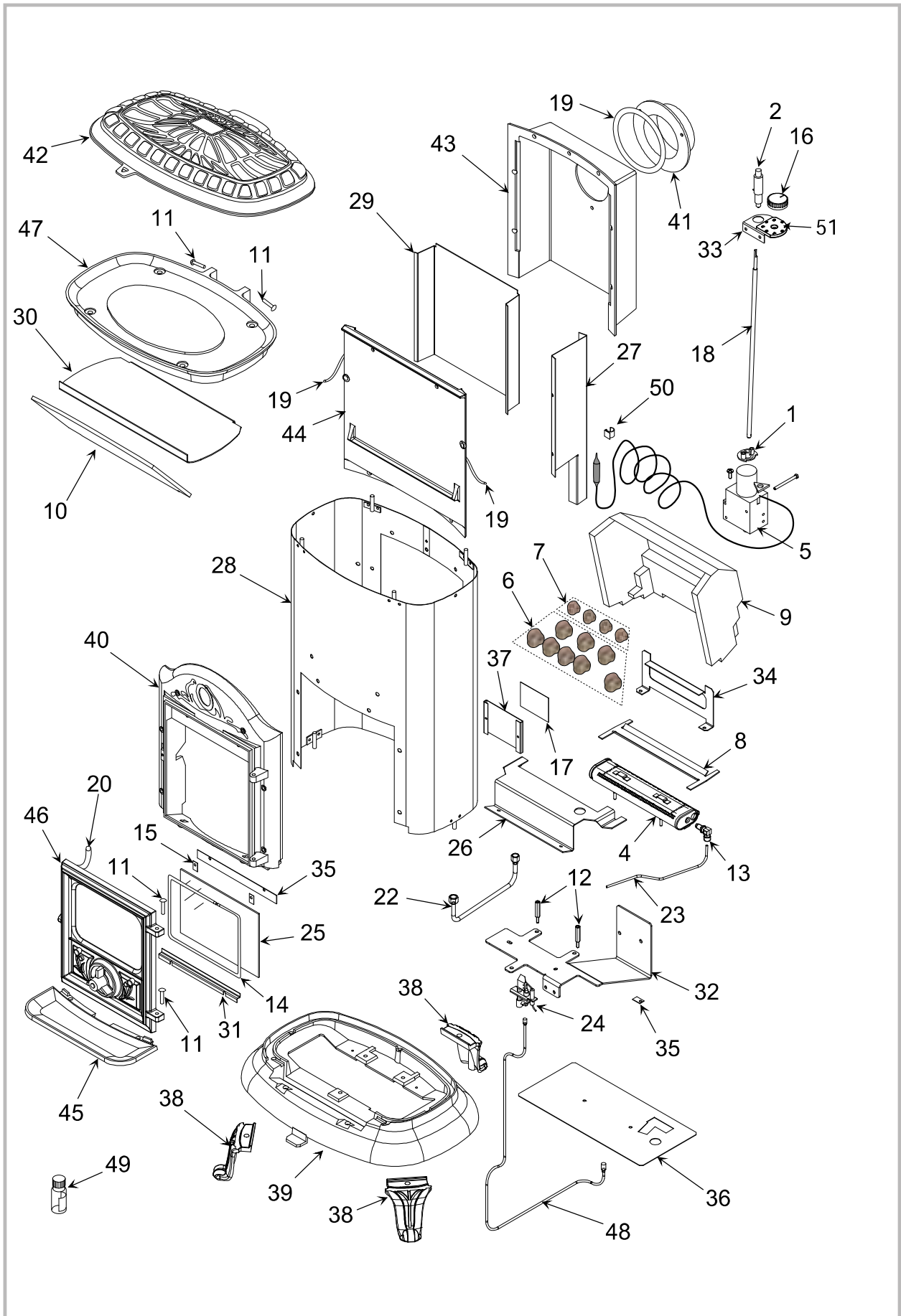


Figure 9 - Spare parts view

A = 154 07 05 Y B = 154 07 05 L C = 154 07 05 J D = 154 07 05 C

N°	Code	Description	Type	A	B	C	D	Qty
40	301038	EF Frame		A				01
40	301038	77 Frame			B			01
40	301038	79 Frame				C		01
40	301038	MK Frame					D	01
41	303851	60 Flue collar		A	B	C	D	01
42	313509	EF Cover		A				01
42	313509	77 Cover			B			01
42	313509	79 Cover				C		01
42	313509	MK Cover					D	01
43	321805	Draught diverter		A	B	C	D	01
44	323215	Flue baffle		A	B	C	D	01
45	327900	EF Ash pan guide		A				01
45	327900	77 Ash pan guide			B			01
45	327900	79 Ash pan guide				C		01
45	327900	MK Ash pan guid					D	01
46	331117	EF Main door		A			D	01
46	331117	77 Main door			B			01
46	331117	79 Main door				C		01
46	331117	MK Main door					D	01
47	352112	EF Top plate		A				01
47	352112	77 Top plate			B			01
47	352112	79 Top plate				C		01
47	352112	MK Top plate					D	01
48	109187	Cable		A	B	C	D	1,00 m
49	161025	Touch-up paint			B			01
49	161027	Touch-up paint				C		01
49	161032	Touch-up paint					D	01
50	110334	Bulb attachment		A	B	C	D	01
51	325202	Knob		A	B	C	D	01



Guarantee certificate

Legal guarantee

The specifications, dimensions and information shown on our documents are provided for information purposes only and under no circumstances are binding upon the vendor.

With the aim of constantly improving our equipment, all modifications considered as necessary by our departments may be made without notice.

The provisions of the present guarantee certificate are not excluding or limiting the owner of the equipment's rights, concerning the legal guarantee regarding faults or hidden vices which applies in all circumstances, in the conditions detailed in articles 1641 and following of the civil code, and in the country in which the equipment was purchased.

Contractual guarantee

Our equipment is guaranteed against faults and hidden vices subject to the following conditions:

- 1) Installation and adjustment of the device by a professional installer.
- 2) Observance of the instructions provided in our technical documents and our installation/adjustment instructions.
- 3) The installation, use and maintenance of the device carried out in conformity with the applicable standards and legislation, and with the indications provided in the technical instructions accompanying the device.

This guarantee covers the replacement, in our factory, of parts recognised as being defective from the outset by

our "Guarantee Inspection" Department. Carriage and labour is at the user's cost. Moreover, if the repair or replacement of parts covered by the guarantee is found to be too costly vis-à-vis the price of the appliance, the decision to replace or repair the appliance will be taken by the vendor.

Our guarantee is for 2 (two) years for all appliances, with the exception of closed combustion fireplace and inserts for which our guarantee is 5 (five) years excluding the following:

- 1) Indicator lights, fuses, electrical elements and fans.
- 2) Parts subject to wear or in contact with high temperatures namely: soles and burner grills, bottom plates baffles, ash pans, paintwork and surface treatments for decorative parts. Also excluded from this guarantee are seals and windows.
- 3) Any damage which may result from the use of the appliance with a fuel other than that stipulated in our instructions.
- 4) Damage occurring to parts caused by elements outside the appliance (down draught, storm damage, damp, abnormal pressure or vacuum, heat shocks, etc.).
- 5) Damage to electrical parts caused by plugging in and using the appliance on a mains system, the voltage of which (measured at the entrance to the appliance) is 10% above or below the nominal voltage of 220 V.

Exclusion of liability

In the case of a product manufactured at the client's request, under no circumstances may we, as a subcontractor, be considered liable vis-a-vis the client or third parties for defects arising from the installation or a design fault with the item in question.

Name and address of the installer : _____

Telephone : _____

Name and address of the customer : _____

Date of installation : ___ / ___ / _____

Model of the appliance : 154 07 05

Color : Y L J

Serial number : _____

• This certificate has to be completed and kept carefully.
 In case of claims, send a copy of this to :

STAUB FONDERIE, BP 73, 59660 MERVILLE, FRANCE.