
Camargue

Wood stove

C G B f D - NF D 35-376

Model 134 10 09

Output : 10 kW



Description of the appliance

Installation instructions

Operating instructions

Spare parts

Warranty certificate

Document n° 759-4 EN ~ 04/02/2000

Français

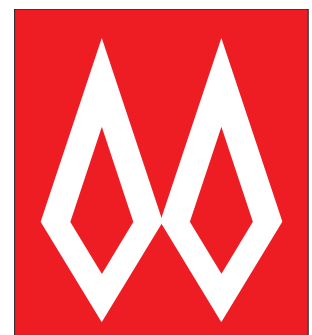
English

Technical manual

to be saved

by the user

for future reference



FRANCO BELGE

Les Fonderies Franco-Belges
59660 MERVILLE
Phone : 03.28.43.43.43
Fax : 03.28.43.43.99
RC Hazebrouck 445750565B
Subject to modifications

CONTENTS

	Page
Product information	3
Package	3
Optional equipment	3
General characteristics	3
Description	3
Principle of operation	3
Installation instructions	4
The room	4
Flue	4
Connection to flue	4
Mounting the cast iron legs and the bottom heat shield	5
Fitting of the handle	5
Assembly of flue spigot and blanking plates	5
Pre-utilisation check	6
Chimney maintenance and sweeping	7
Instructions for user	7
Fuel	7
Instructions for use with wood	7
Control of fire	8
Cleaning	8
Maintenance of the stove	8
Trouble Shooting	8
Spare sparts	9

Warning to the user

A wood stove should only be installed by competent personnel, in the strict application of normal practices and all safety precautions.

An incorrectly installed wood stove can cause serious accidents (chimney fires, burning of plastic insulation materials, in partition walls, etc.).

The manufacturer's responsibility shall be limited to the supply of the equipment.

1. Product information

1.1. Package

- 1 package : Stove complete.

1.2. Optional equipment

- Set of 4 high legs.

1.3. General characteristics

Reference	134 10 09
Maximum output kW	10
Volume heated m ³	300 to 400
Draught requirement mm water	1.5 to 2
Grate dimensions:	
- width mm	450
- depth mm	230
- usable height mm	200
Max. log size cm	38
Ash pan capacity litres	3
Net weight KGs	130

1.4. Description

Stove C G B f D - NF D 35-376

C : **Continuous**-burning wood-fired heater.

G : Wood burnt on **grate**.

B : **Wood** burning stove.

f : Enclosed combustion chamber with refractory brick walls.

D : Removable appliance, to be installed near a wall.

- Detachable flue spigot for rear or top chimney connection.

- Detachable top for easy handling and cleaning (rear smoke exit only).

- Optional kit for burning solid smokeless fuels.

- Adjustable air controls for controlling the burning rate.

- Large ash-pan.

1.5. Principle of operation

The "Camargue" is designed for operation with the door closed.

Heat is mainly diffused by radiation, through the window and body of the appliance.

Combustion occurs on the grate, with draught entry through the top of the grate, which assists the combustion of volatile materials helping to keep the glass clean during normal operation.

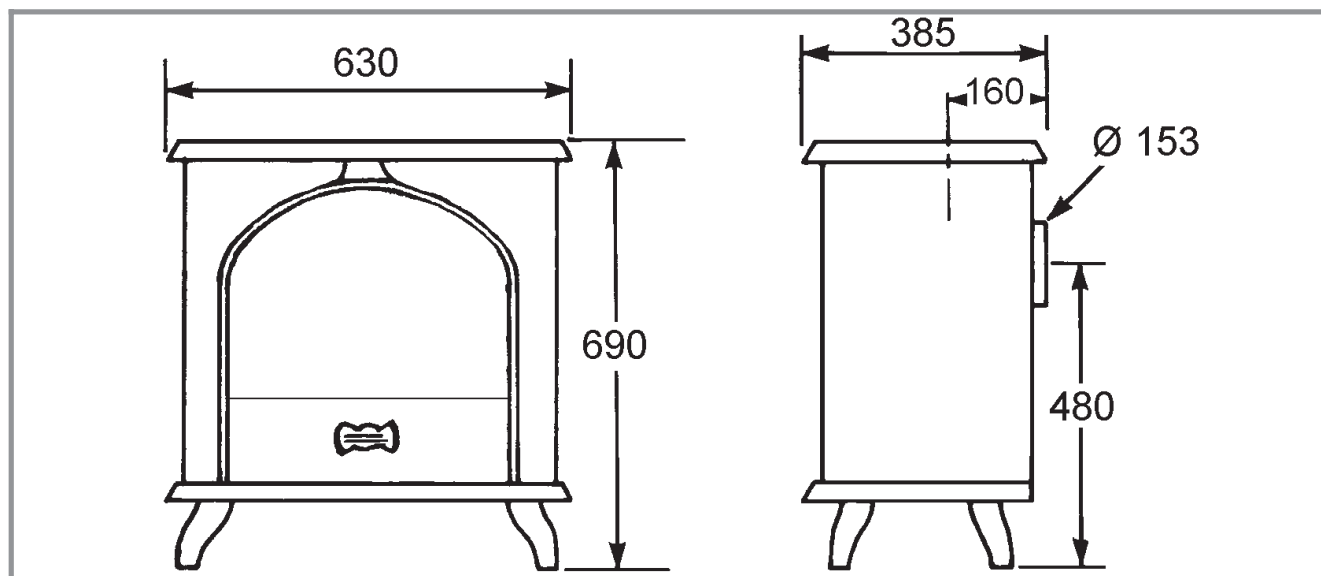


Figure 1 - Dimensions in mm

2. Installation instructions

2.1. The room

Ventilation :

For satisfactory operation with a natural draught, check that sufficient air for combustion is available in the room.

Chimney position :

For new chimney installations, select a central position within the building, to provide a good heat distribution around the building.

Hearth :

The hearth must be suitable for use with solid fuel burning appliances and must comply with Current Building Regulations. If in doubt, consult your Dealer or local Building Inspector.

Rear wall and ceiling :

The appliance must not be positioned close to combustible materials, wall & ceiling surfaces etc., Consult your Dealer or local Building Inspector if in doubt.

- The join between the connection pipe and the stovepipe, and the flue, must be leak tight.

- The connection pipe and any draught stabiliser must have access for cleaning.

To avoid damage during transport, the four legs and the bottom heat shield are not mounted when the stove is shipped from the factory. These parts should be fitted carefully to avoid damaging the appliance.

2.2. Flue

Existing flue :

- The flue must be in good condition and must provide sufficient draught.

- The flue must be suitable for the installation of solid fuel burning appliances and comply with Current Building Regulations.

- The flue must be clean. It should be swept to remove soot and dislodge tar deposits.

- The flue must be well insulated. If the flue inner wall surfaces are cold, a good thermal draw is impossible causing condensation problems (tar formation etc) to occur.

- The flue must not be shared with other appliances.

- The recommended minimum flue height is 5 metres.

- If the chimney has any down draught tendency, due to its position in relation to nearby obstacles, then an anti-down draught cowl must be installed on the chimney or the chimney height must be increased.

- If the decompression in the chimney is excessive, a draught stabiliser must be installed.

Chimney to be built / Flue non-existent :

- The flue must not be supported by the stove.

- Consult a chimney specialist for advice on suitable flue systems for solid fuel appliances.

2.3. Connection to flue

The stove must be installed as close as possible to the chimney.

- The stove should be connected to the flue by a smoke pipe, approved for installation with combustion products (e.g. stainless steel 1 mm thick, 20g, or vitreous enamel.).

- Pipe diameter must not be less than the appliance spigot diameter.

- The connection can be either vertical or horizontal. For horizontal connections, avoid right angle bends.

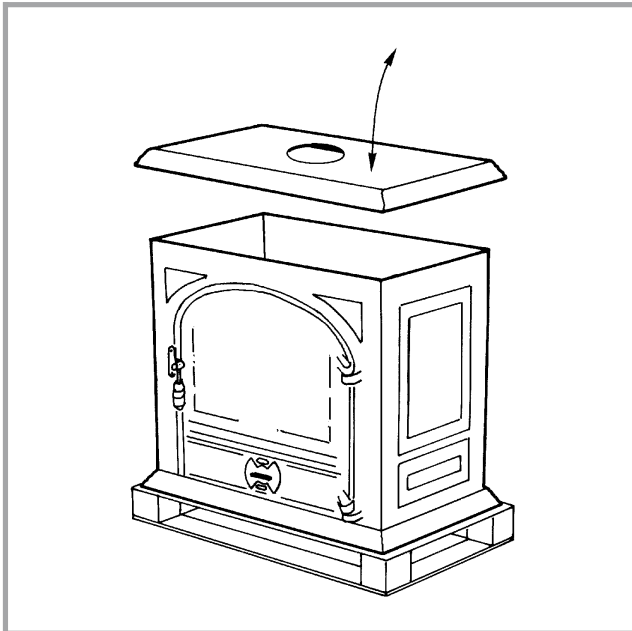


Figure 2 - Removal of cast iron top

2.4. Mounting the cast iron legs and the bottom heat shield

Remove the cast iron top from the stove (Fig.2), unscrew the two bolts securing the stove to the pallet and remove the stove from the pallet.

Tip the stove towards the rear and place it gently on the floor on 2 timber battens.

Fix the legs and the shield using the bolts provided (Fig. 3).

2.5. Fitting of the handle

In order to avoid the damaging of the threading, first put the handle in operating position then screw it into the tapping of the lock (fig. 4).

2.6. Assembly of flue spigot and blanking plates

The stove is supplied with a connection flue spigot with an inner diameter of 153 mm.

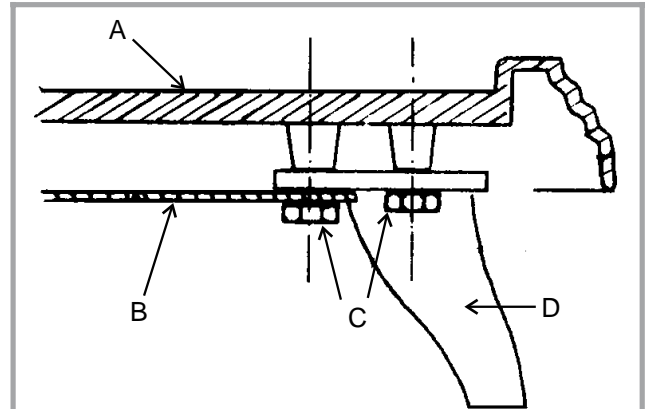


Figure 3 - Installation of legs and lower heat shield

- A : Stove base
- B : Heat shield
- C : Bolt
- D : Leg
- A : Baffle

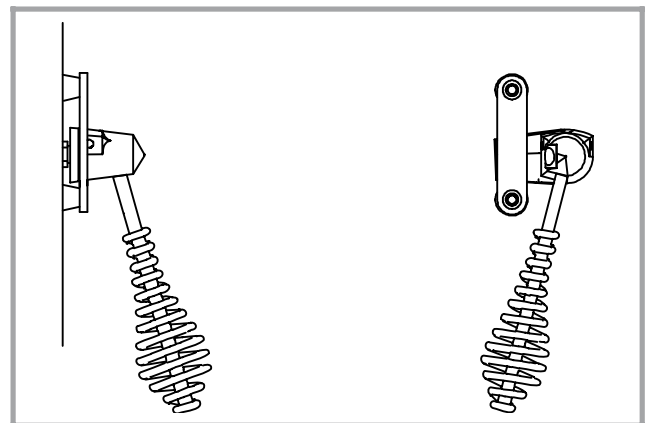


Figure 4 - Fitting the handle

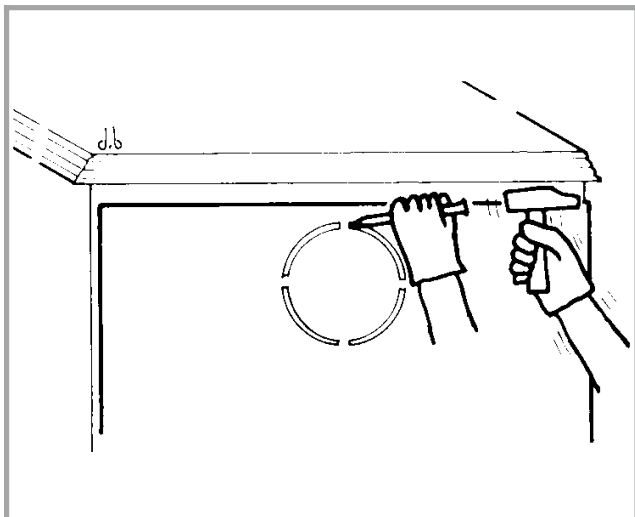


Figure 5 - Removing blanking plate on rear heat shield

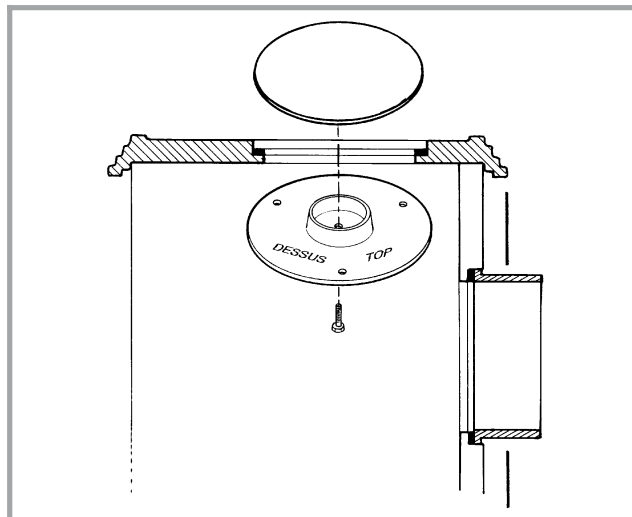


Figure 6 - Smoke exit at rear

2.6.1. Smoke exit at rear

Figure 6

- Lift the cast iron top from the stove (fig. 2, p. 5).
- Check that the two blanking plates are fixed to the cast iron top.
- Remove the internal baffle and the rear heat shield.
- Fix the sealing rope in the groove and fit the flue spigot, ensuring there is a good seal.
- Replace the internal baffle (fig. 8) and re-fit the cast iron top.
- Remove the cut-out in the rear heat shield (fig. 5) and re-fit.

2.6.2. Smoke exit on the top

Figure 7

- Lift the cast iron top from the stove.
- Remove the two blanking plates.
- Fit the sealing rope in the groove and attach the flue spigot and the supplementary baffle A using the three bolts and washers supplied.
- Remove the internal baffle and the rear heat shield.
- Position the sealing rope in the groove on the rear aperture of the stove and fit the two blanking plates.
- Replace the internal baffle (fig. 8) and the cast iron top.

2.7. Pre-utilisation check

- Check the condition of the filler seals, that the door closes correctly and that the cast iron top is leak tight, that the window is not damaged, that the smoke passages are not obstructed by pieces of packaging or removed parts. All removable parts (cast iron top, baffle) must be correctly installed.

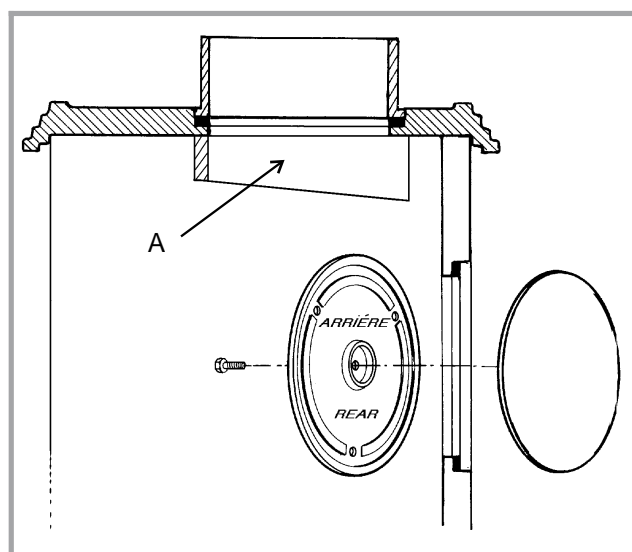


Figure 7 - Smoke exit from top

A : Door lock

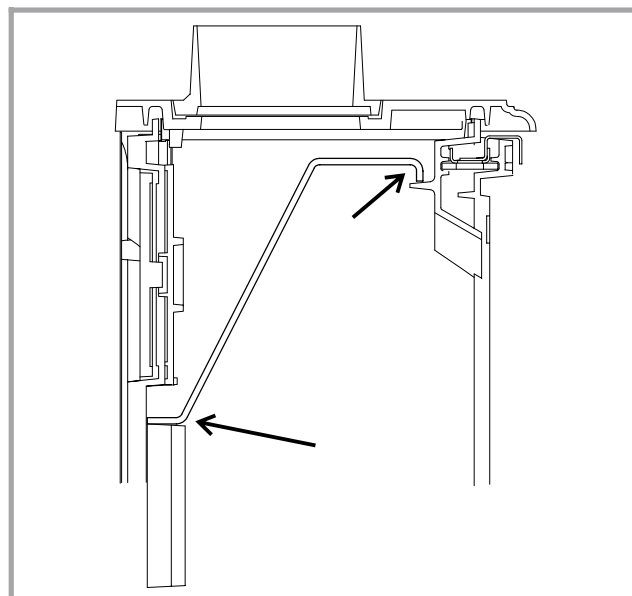


Figure 8 - Fitting the flue baffle

2.8. Chimney maintenance and sweeping

Very important : To avoid any incident (chimney fire, etc.), regular maintenance should be carried out. If the

stove is regularly used, the chimney should be swept several times per year, together with the stovepipe connection section. Chimney condition should be checked at least once per year.

3. Instructions for user

3.1. Fuel

Recommended fuel : Wood with the grate provided

- Use hard wood logs, which have been cut for at least two years and stored, under shelter.
- Hardwood has a higher calorific value per cu metre (oak, ash, maple, birch, elm, beech, etc.).
- Large logs must be split and cut to a usable length, before being stored in a sheltered and ventilated place.

Recommended fuel with the coal grate 308710

Smokeless fuels, including coolite nuts, phurnacite, ancit and extracite.

Not recommended as fuel :

- "green wood". Green or damp wood reduces stove efficiency and soils the glass, the internal walls and the flue (soot, tar, etc.).
- "used timbers". Burning treated wood (railway sleepers, telegraph poles, offcuts of plywood or chip board, pallets, etc.) quickly clogs the flue ways (soot, tar, etc.), pollutes the environment (pollution and smell, etc.) and cause the fire to burn too quickly and overheat.

"Green wood" and "recovered wood" can eventually cause a chimney fire.

Prohibited fuel : Homefire and any form of bituminous coal or petroleum based coke.

3.2. Instructions for use with wood

3.2.1. Lighting

Figure 9

- Slide the top air control lever to the right (B2) and open the lower spin wheel (C2).
- Place firelighters (or rolled newspaper and kindling wood) on the grate and place two or three small logs on top of the firelighters.
- Light the firelighters or paper and close the appliance door.
- When the fire is burning fairly fiercely, add further logs (max. diameter 10 cms).
- Further fuel should not be added if wood is smoking.
- When lighting up for the first time, the fire should be built up gradually, to allow the components to expand and set without shock.

Note : When the fire is lit for the first time, the stove may give off fumes from the new paint. This is normal but ensure the room is well ventilated during the first few hours operation.

Similarly, the window can become cloudy by the evaporation of the water in the refractory bricks.

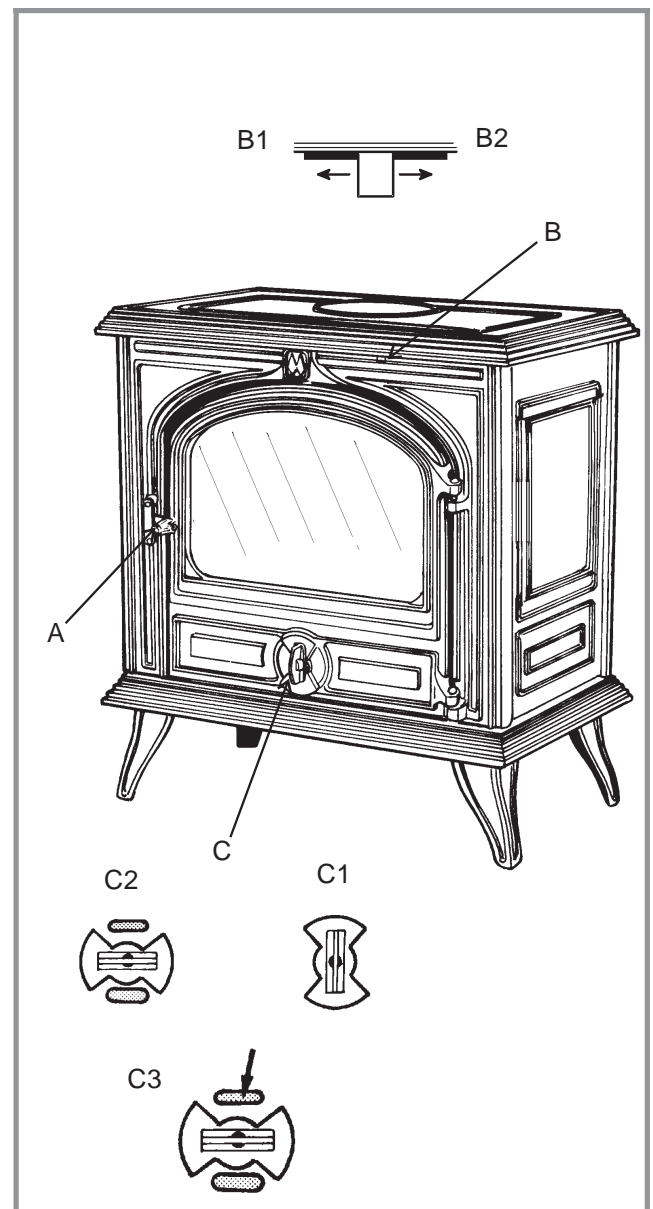


Figure 9 - Operating devices

B : Draught control

B1 - close B2 - open

C : Spin wheel

C1 : Close for normal operating

C2 : Open for lighting

C3 - De-ashing : Insert the poker into the upper hole

3.2.2. Re-fuelling

- Open the lower spin wheel.
- Open the glass door and add fuel.
- Leave the lower spin wheel open for a few minutes to allow the initial volatiles in the fuel to burn.
- Adjust the lower spin wheel to the desired position.

3.3. Control of fire

The stove must operate with the **door closed and the cast iron top correctly installed**. Burning rate is controlled by the slide lever above the door. The lighting flap (bottom spin wheel) must be closed during normal operation.

To load fuel, the door should be opened slowly, avoiding a sudden rush of intake air, so that smoke does not escape into the room.

For a briskly burning fire, there should always be at least two logs in the grate. The fire will burn better if there are several logs (diameter 7.5 to 10 cms).

For a slower burning fire (for example, at night), select larger logs.

3.4. Cleaning

Remove ash until glowing ashes start falling into the pan.

Remove ashes daily, and never allow ash in the ash

Caution ! : The appearance of cracks when burning the enamelled units is quite usual and tends to disappear when the appliance is cooling down. It should not be considered as a defect but rather as a patina of the enamel which does not affect its quality nor its service ability. □

3.6. Trouble Shooting

compartment to touch the underside of the grate. Failure to observe this instruction will cause premature wear to the grate and other components. Empty the ashes taking all the usual precautions for handling glowing ashes.

3.5. Maintenance of the stove

- The stove must be regularly cleaned.
- Remove all deposits from the combustion chamber and clean the grate area.
- The vitro ceramic glass can only be cleaned using a soft cloth and stove glass cleaner, available from your Franco Belge Dealer. **DO NOT USE ABRASIVES**
- The vitro ceramic glass resists a temperature of 750°C. If the glass should be broken, it is recommended that only an original factory replacement should be fitted.

For enamelled finishes, the stove body can be cleaned using a soft cloth either dry, or slightly damp with a very mild detergent.

NEVER CLEAN ENAMEL SURFACES WHILST THE STOVE IS HOT.

The cast iron body panels of non-enamelled stoves can be cleaned with a proprietary stove cleaner or re-sprayed / touched up using a stove paint. These products are available from your Franco Belge Dealer.



☑ : This sign means that you should asked for a qualified engineer to do the work.

Problem	Probable causes	–Action
<i>Fire difficult to start</i> <i>Fire goes out</i>	Wood green, too damp or poor quality.	☑ — Use the recommended fuel.
	Logs are too big.	— To light the fire, use small, very dry twigs. To maintain the fire, use split logs.
	Air starvation.	— Open lower spin wheel and top air control lever.
	Insufficient draught.	☑ — Check that the flue is not obstructed, sweep it if necessary - Seek advice from a chimney specialist.
<i>Fire burns too quickly.</i>	Too much draught.	— Ensure that the lower spin wheel is closed - Partially close the top air control lever.
	Excessive draw.	☑ — Install a draught stabiliser. Consult your Dealer.
	Poor quality wood.	— Do not continuously burn small wood, sticks, bundles, carpentry offcuts (plywood, pallets), etc.
<i>Smokes when lighting up.</i>	Flue duct is cold.	— Burn paper and kindling wood to increase heat.
	Room is in decompression.	— In houses equipped with mechanical ventilation, partly open a window until the fire is well established.
<i>Smokes while burning.</i>	Draught is insufficien.	☑ — Consult a chimney specialist. - Check that the flue is not obstructed, sweep if necessary.

Down draught. — Install an anti-down draught cowl. Consult your Dealer.

Room is in decompression. — In houses equipped with Mechanical Ventilation, an outside air intake must be installed for the chimney.

Low heat output.

Incorrect Fuels. — Use the recommended fuel.

4. Spare parts

When ordering spare parts, specify the stove type and **serial number**, including the colour index (on the guarantee or identification plate), the name of the part and the **part number**.

Example :

- Camargue wood stove,
- Ref.: 134 10 09 L,
- top 302141 77.

A = 134 10 09 L

B = 134 10 09 E

C = 134 10 09 J

D = 134 10 09 Y

N°	Code	Description	Type	A	B	C	D	Qté
1	100956	Axle		A	B	C	D	01
2	102027	Firebrick		A	B	C	D	01
3	102028	Firebrick		A	B	C	D	01
4	105244	Firebrick		A	B	C	D	01
5	110405	Hinge pin	6X35	A	B	C	D	02
6	308710	Coal grate		A	B	C	D	01
7	134749	Pin	4X20	A	B	C	D	01
8	142301	Adhesive rope		A	B	C	D	1,15 m
9	158541	Handle		A	B	C	D	01
10	162296	Descriptive plate		A	B	C	D	01
11	166003	Spring	11x15	A	B	C	D	01
13	161025	Touch-up paint		A				01
13	161029	Touch-up paint			B			01
13	161027	Touch-up paint				C		01
14	181604	Ceramic rope	10x4	A	B	C	D	0,50 m
15	188779	Ceramic glass		A	B	C	D	01
16	189103	Screw	27x8x6	A	B	C	D	01
25	205330	Back panel		A	B	C	D	01
26	221200 60	Striking plate		A	B	C	D	01
27	224023	Ash-pan		A	B	C	D	01
30	259015	Fixing plate		A	B	C	D	04
31	260537	Heat shield		A	B	C	D	01
32	262316	Heat shield		A	B	C	D	01
33	300121 77	B.L or F.R.leg		A				02
33	300121 MF	B.L or F.R.leg			B			02
33	300121 79	B.L or F.R.leg				C		02
33	300121 EF	B.L or F.R.leg					D	02
34	300217 77	B.R. or F.L. leg		A				02
34	300217 MF	B.R. or F.L. leg			B			02
34	300217 79	B.R. or F.L. leg				C		02
34	300217 EF	B.R. or F.L. leg					D	02
35	300455 77	Base		A				01
35	300455 MF	Base			B			01
35	300455 79	Base				C		01
35	300455 EF	Base					D	01
36	301515 77	Door lock		A				01
36	301515 MF	Door lock			B			01
36	301515 79	Door lock				C		01
36	301515 EF	Door lock					D	01
37	301742 77	Air damper		A				01
37	301742 MF	Air damper			B			01
37	301742 79	Air damper				C		01
37	301742 EF	Air damper					D	01
38	302141 77	Top plate		A				01
38	302141 MF	Top plate			B			01
38	302141 79	Top plate				C		01
38	302141 EF	Top plate					D	01
39	303718 77	Blanking plate		A				01
39	303718 MF	Blanking plate			B			01
39	303718 79	Blanking plate				C		01
39	303718 EF	Blanking plate					D	01
40	303826 77	Flue collar	Ø 153 int.	A				01
40	303826 MF	Flue collar	Ø 153 int.		B			01
40	303826 79	Flue collar	Ø 153 int.			C		01
40	303826 EF	Flue collar	Ø 153 int.				D	01
41	306215	Back wall		A	B	C	D	01

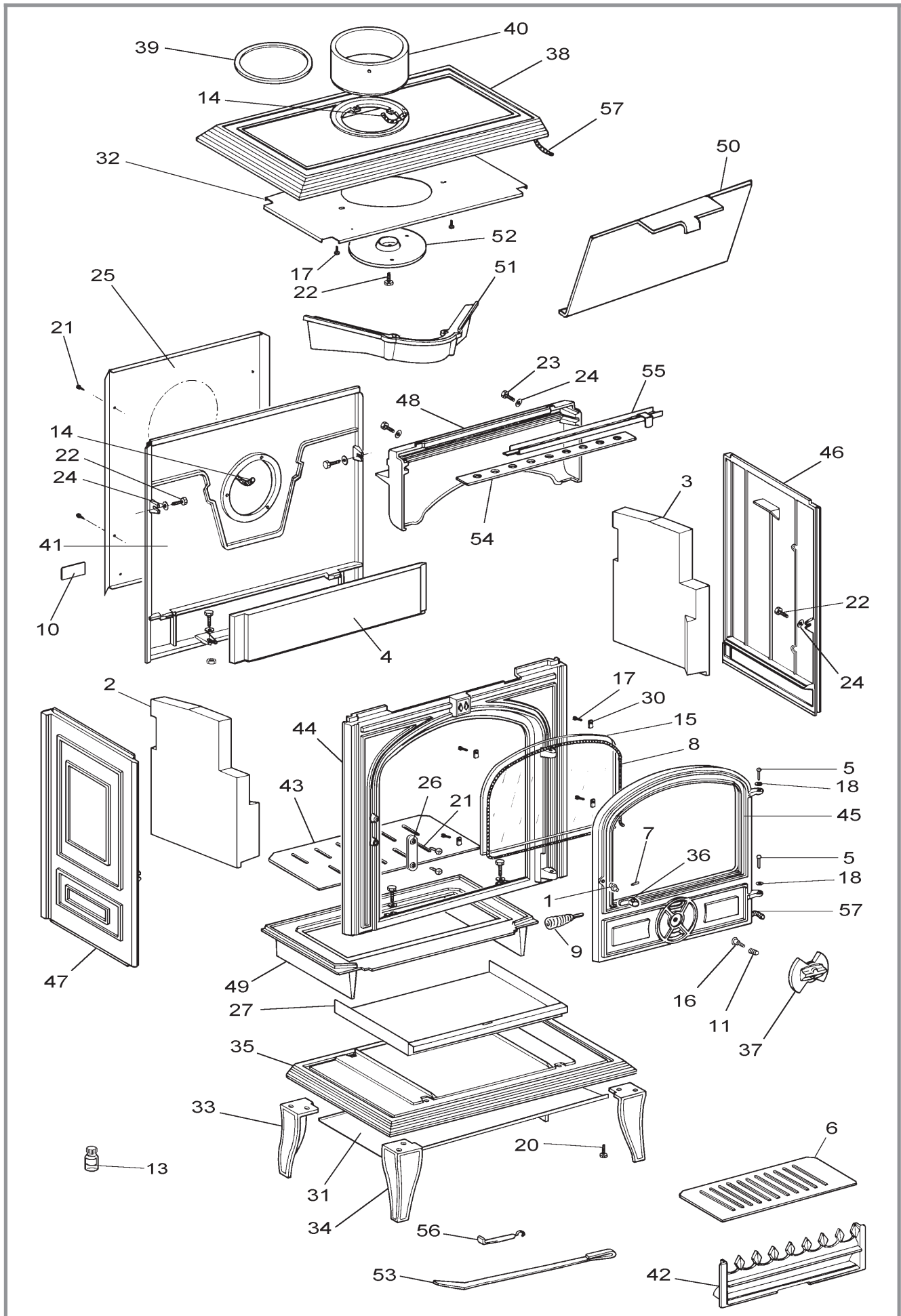
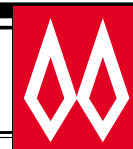


Figure 10

42	307416	Fuel retainer	A	B	C	D	01	
43	309215	Wood grate	A	B	C	D	01	
44	309859 77	Front plate	A				01	
44	309859 MF	Front plate		B			01	
44	309859 79	Front plate			C		01	
44	309859 EF	Front plate				D	01	
45	309964 77	Main door	A				01	
45	309964 MF	Main door		B			01	
45	309964 79	Main door			C		01	
45	309964 EF	Main door				D	01	
46	310711 77	R. side panel	A				01	
46	310711 MF	R. side panel		B			01	
46	310711 79	R. side panel			C		01	
46	310711 EF	R. side panel				D	01	
47	310811 77	L. side panel	A				01	
47	310811 MF	L. side panel		B			01	
47	310811 79	L. side panel			C		01	
47	310811 EF	L. side panel				D	01	
48	315601	Air duct	A	B	C	D	01	
49	319707	Grate support	A	B	C	D	01	
50	222554	Flue baffle	A	B	C	D	01	
51	326601	Suppl. flue baffle	A	B	C	D	01	
52	327801	Clamp	A	B	C	D	01	
53	415504 60	Poker	A	B	C	D	01	
54	442011	Sealing plate	A	B	C	D	01	
55	613301 EF	Air control flap	A	B	C	D	01	
56	808001 ED	Hand tool	A	B	C	D	01	
57	181615	Ceramic rope	Ø 12	A	B	C	D	3,14 m



FRANCO BELGE



Warranty certificate

Legal warranty

Our products are guaranteed for twelve months against any defect, flaw or imperfection. During this time, all parts judged defective by our Warranty control department may be replaced in our workshops. Incidental costs of transportation and packing payable by the buyer.

Some parts or components have a longer warranty period :

- Cast-iron shell of boiler : 3 years
- Steel shell of boiler : 3 years
- Removable or independent stainless steel hot water cylinder : 5 years
- Independent enamelled steel hot water cylinder : 3 years
- Incorporated circulating pump : 2 years.

Terms of the warranty

This warranty is only valid if :

- The unit has been installed and checked by a professional installer before operating,
- All installation and adjustment instructions listed in the

technical manual supplied with the unit have been followed,
- All operation and maintenance instructions have been followed.

This warranty does not cover :

- Lamps, fuses, spark plugs, cast iron parts directly in contact with burning coal and wood, firebricks, flue baffles, glasses .
- Any damage resulting from the use of fuel not recommended in our instructions ;
- Parts which are damaged by external causes such as unadapted chimneys, thunderstorms, damp, faulty pressure or fail in pressure, thermic anomalies, explosions, etc...
- Electrical parts which are deteriorated by any connection or use on a supply circuit with voltage within 10% of the indicted voltage (230 V in EU).

Material subject to modifications without prior notice. This manual does not engage the responsibility of FRANCO BELGE.

☒ Name and address of installer : _____

☎ Telephone : _____

☒ Name and address of customer : _____

Date of installation :

____ / ____ / ____

Model of the appliance : 134 10 09

Color : L E J Y

Serial number :

This certificate has to be completed and kept carefully. In case of claims, send a copy of this to :

Fonderies FRANCO BELGE, rue Orphée Variscotte, 59660 MERVILLE, FRANCE.