

---

# Burgundy

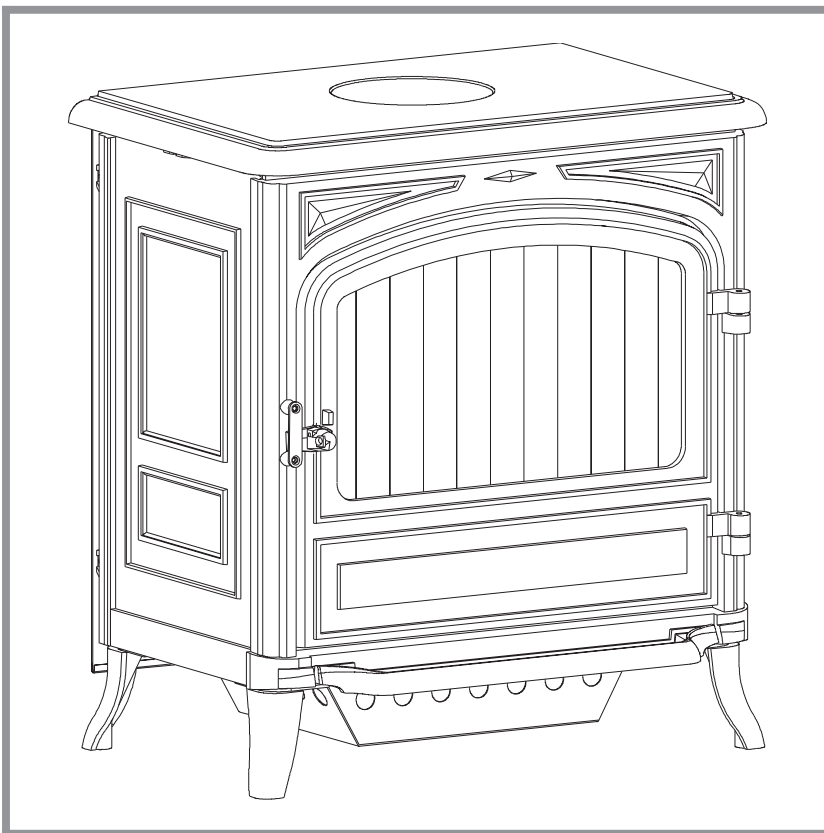
---

Oil burning stove

**174 10 25**

**174 10 31**

EN1 - NF D 35-385



**Description of the appliance**

**Installation instructions**

**Operating instructions**

**Spare parts**

**Warranty certificate**

Document n° 809-5EN ~ 15/04/1999

**Français p. 1-12**

**English p. 13-24**

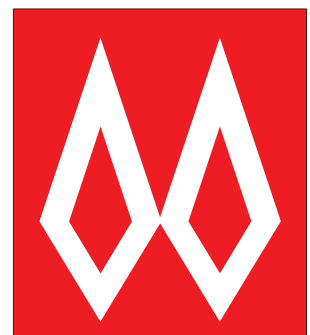
**Nederlands bl. 25-36**

**Technical manual**

to be saved

by the user

for future reference



**FRANCO BELGE**

Les Fonderies Franco-Belges

59660 MERVILLE

Phone : 03.28.43.43.43

Fax : 03.28.43.43.99

RC Hazebrouck 445750565B

Subject to modifications

## CONTENTS

	Page
<b>Description of the unit . . . . .</b>	<b>15</b>
Package . . . . .	15
Specifications . . . . .	15
Description . . . . .	15
<b>Installation instructions . . . . .</b>	<b>16</b>
Position of the unit . . . . .	16
Chimney . . . . .	16
Chimney connector . . . . .	16
Levelling . . . . .	16
Mounting the tray . . . . .	16
Fitting of the handle . . . . .	16
Fitting the “visioflamme” . . . . .	16
External tank . . . . .	17
Oil flow adjustment . . . . .	17
Chimney draught . . . . .	18
Maintenance of the Chimney . . . . .	18
<b>Operating instructions . . . . .</b>	<b>19</b>
Fuel . . . . .	19
Lighting procedure . . . . .	19
Operating procedure . . . . .	19
Shutting down . . . . .	19
Recommendation . . . . .	19
Maintenance of the stove . . . . .	19
Trouble shooting . . . . .	20
<b>Spare parts . . . . .</b>	<b>21</b>

# 1. Description of the unit

## 1.1. Package

- 1 package : Stove complete
- 1 package : Ground vat and mirrors

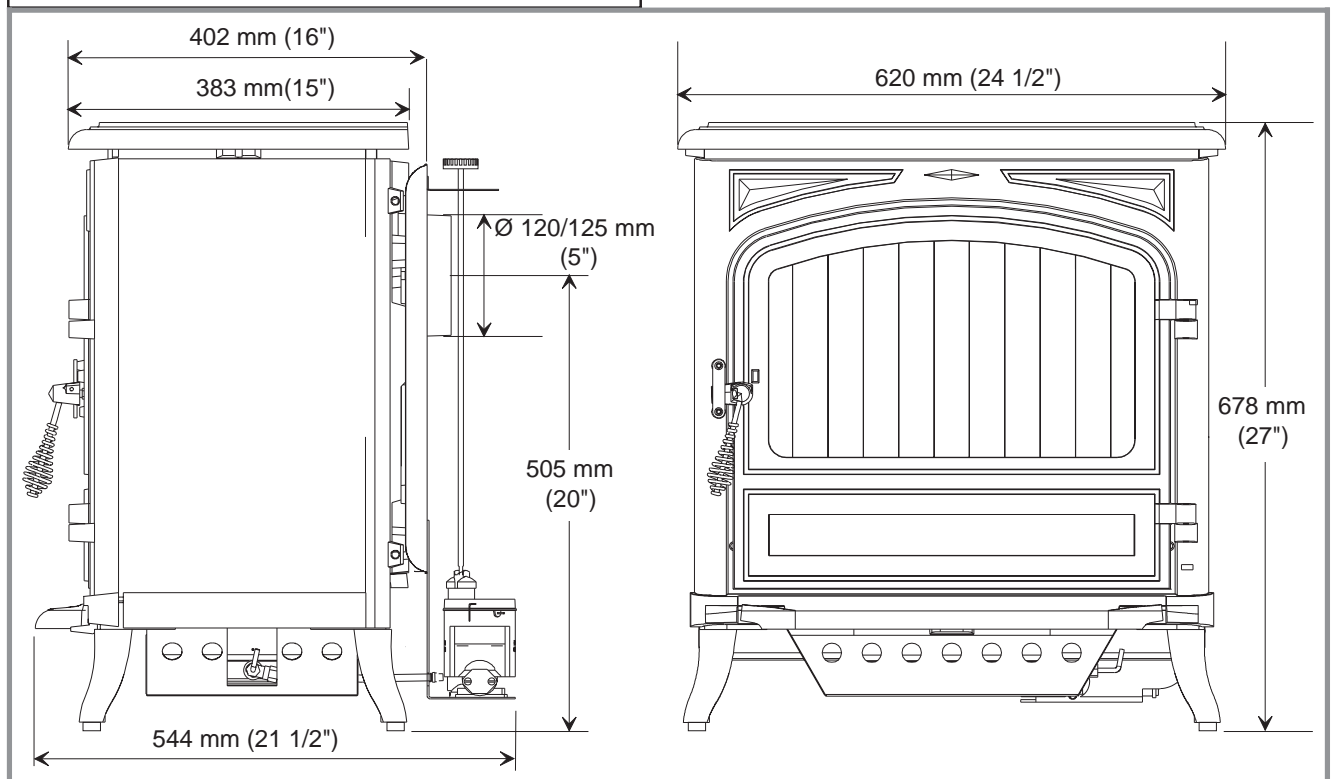
## 1.2. Specifications

Nominal Heat Output (NF D 35-385)		
..... kW	10	
..... Btu/hr	34,130	
Oil consumption at : .....		
- maximum speed .....	litre/h	1,25
.....	Imp gal/hr	0.275
.....	US gal/hr	0.33
- minimum speed .....	litre/h	0,25
.....	Imp gal/hr	0.055
.....	US gal/hr	0.066
Chimney draft required at : .....		
- maximum speed .....	Pa	20
.....	in.w.g.	0.0802
- minimum speed .....	Pa	6
.....	in.w.g.	0.024
Weight .....	kg	118
.....	lbs	260
Flue outlet diameter (O/D) .....	mm	120/125
.....	in	5

**SAFETY NOTICE** : Read carefully all instructions before starting the installation. If the stove is not properly installed, a house fire may result. For your safety, follow the installation directions. Contact local building or fire officials about restrictions and installation inspection in your area.

## 1.3. Description

Flued oil stove with vaporizing burner (Norm EN1)



Ill. 1 - Dimensions in mm

## 2. Installation instructions

### 2.1. Position of the unit

- The position of the appliance must be chosen very carefully in order to obtain the best possible results for heat distribution.
- Position the unit to comply with the minimum clearances to combustible material. Minimum clearances are shown from the vertical portion of the chimney connector. Check that no overhead cross members in the ceiling will be cut. Reposition unit if necessary, being careful not to move closer than the minimum clearances.

### 2.2. Chimney

- Ensure that the flue has sufficient draught (refer to technical details).
- Minimum flue diameter, 10 cm (4" I.D).
- The chimney must be at least 4.5 m (15 ft high).
- The flue must not be shared with any other appliance.
- Downdraughts caused by obstacles close to the chimney top may sometimes be prevented by fitting an anti-down-draught cap to the top of the chimney.
- The chimney must have a constant cross section. Too large a flue could affect the chimney draught.
- The chimney must be soundly constructed, in order to prevent cold air infiltration.
- The flue must be well insulated, water and air tight. A chimney with a cold internal surface can prevent a good chimney draught and condensation will occur.
- The flue must be swept at least once a year.

### 2.3. Chimney connector

- The appliance must be as close as possible to the chimney. Avoid horizontal flue connection pipes which can dangerously restrain functioning of the appliance.
  - The connector pipe should be standard black painted or blued steel pipe of not less than 30 gage; 304 grade stainless steel of not less than 30 gage; or 1 mm vitreous enamelled steel, with a maximum diameter of 5 inch O.D. - (127 mm). It is the installer's responsibility to conform to local building standards and requirements with regard to installation.. Single wall pipe may be utilized being careful to maintain clearances to any combustible surface.
- Once the stove has been properly installed the chimney draught must be checked with a draught meter.
- If the chimney draught is excessive or irregular, a draught stabilizer (barometric damper) must be installed to the connector pipe.

### 2.4. Levelling

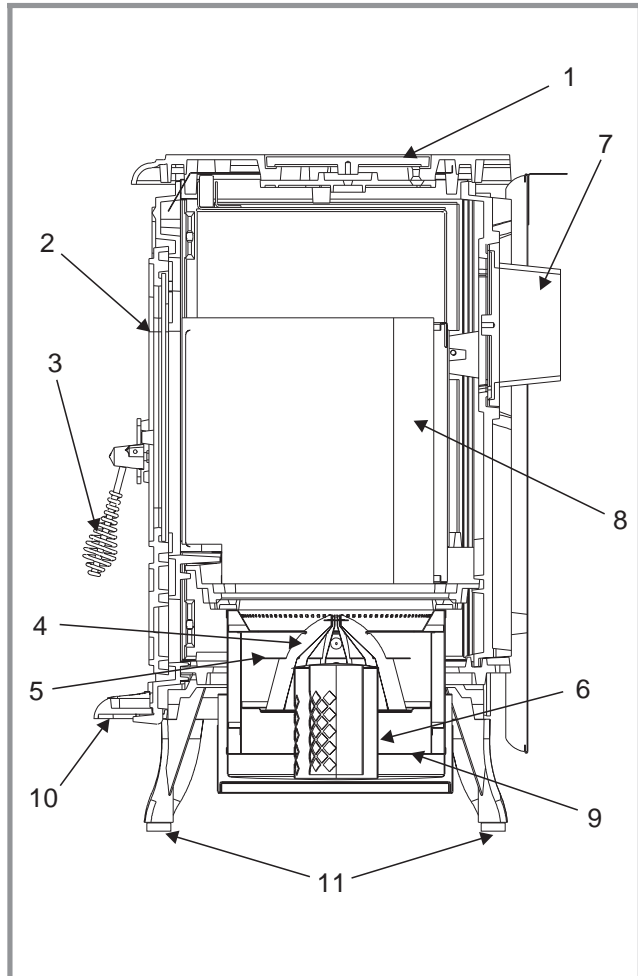
#### Figure 3 and 4

It is essential that the appliance sits level on the floor. Fit the 4 screws and the 4 caps supplied (on the burner) on the feet. Use a spirit level to check.

### 2.5. Mounting the tray

#### Figure 6

To avoid damage to the ash tray during transport, it has been disconnected and stored behind the main door of the



Ill. 2 - Cross section

1 - Blanking plate (not provided to be connected to the chimney).	6 - Catalyser.
2 - Main door.	7 - Flue collar.
3 - Opening and closing of the lower door.	8 - Reflector.
4 - Catalyser top.	9 - Burner.
5 - Upper ring.	10 - Tray
	11 - Screws

oil stove. To reinstall the ash tray to the front of the oil stove, tilt the tray at a 45° angle, center onto tab 'A' and lower into place.

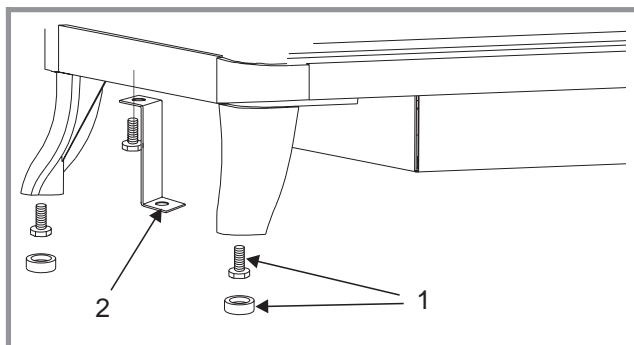
### 2.6. Fitting of the handle

#### Figure 5

In order to avoid the damaging of the threading, first put the handle in operating position then screw it into the tapping of the lock.

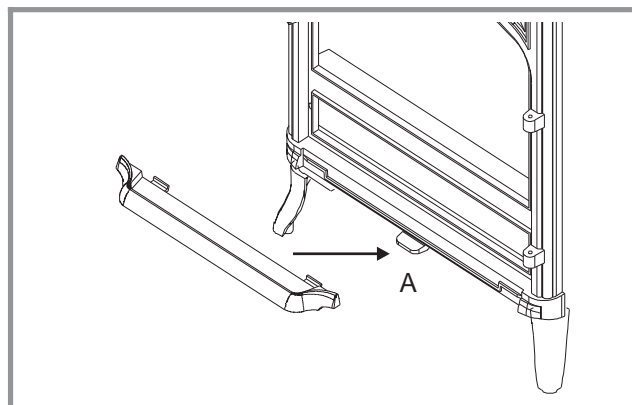
### 2.7. Fitting the "visioflamme"

Fit the glasses (# 59, p. 22) onto the reflector (# 28, p. 22).

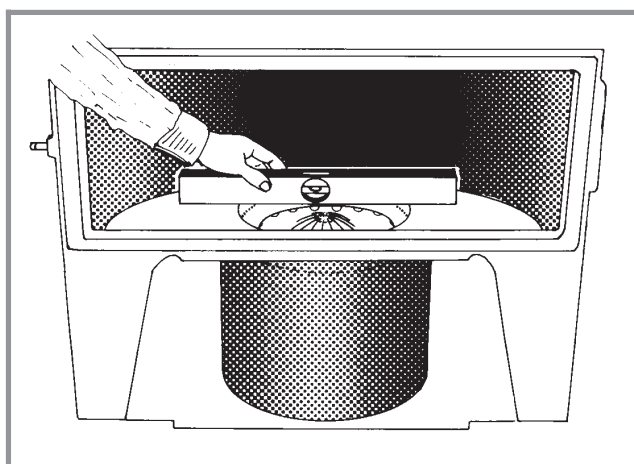


Ill. 3 - Adjustment screws and bracket

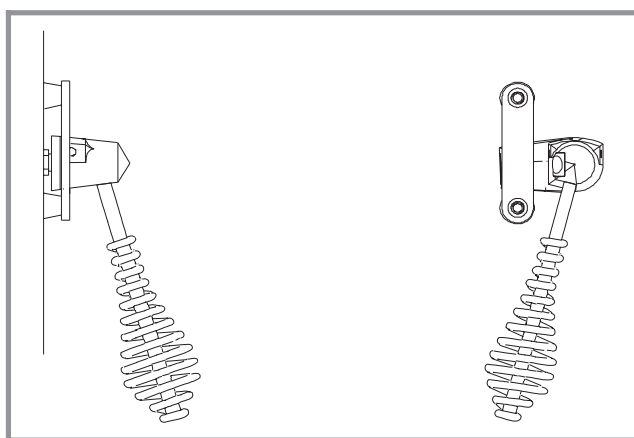
- 1 - Feet adjustment screws and caps.  
2 - Appliance fixing bracket (Canada).



Ill. 6 - Fitting the tray



Ill. 4 - Burner level check



Ill. 5 - Fitting of the handle

## 2.8. External tank

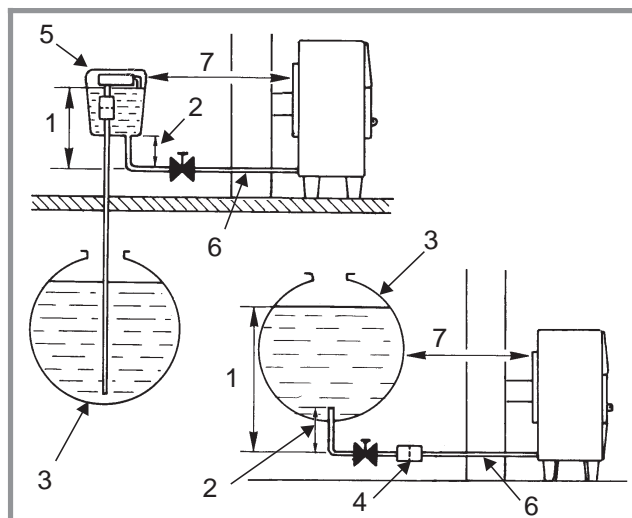
**Canada :** When the stove is connected to an external or remote tank, it must be secured to the floor (# 2, ill. 3).

A barometric fuel tank should not be positioned where it will be in the direct rays of the sun or adjacent to a source of intense heat.

If the tank is more than 8 ft (2,5 m) higher than the stove a pressure reducer must be installed on the oil line (see ill. 7, page 17).

If the tank is lower than the stove a lift pump will have to be utilized (see ill. 7).

A clearance of 6 " (15 cm) must be maintained between the external/remote tank and the stove.



Ill. 7 - Gravity or pumped oil supply

- |                     |  |
|---------------------|--|
| 1 - 8 ft maxi       | 5 - Suction pump with reserve and filter |
| 2 - At least 0,8 ft | 6 - Pipe Ø 1/4 in                        |
| 3 - Oil Tank        | 7 - At least 6"                          |
| 4 - Filter          |  |

## 2.9. Oil flow adjustment

The float regulator has been adjusted at the factory and should not need further adjustment.

If the burner does not work correctly, check possible causes before readjusting the settings :

- Chimney draught,
- Fresh air inlet,
- Oil supply.

**Low setting** (# 2, ill. 8, page 18) :

- Set the regulating knob on "1" and let the burner run for a few minutes. The flame must completely cover the bottom of the burner and the catalyser body must be glowing red hot.

- If the flame is too small, the stove will soot up quickly ; increase the flame by turning the setting screw # 2 clockwise.

- If the flame is too high ; reduce the flame by turning the setting screw # 6 counter clock-wise

**High setting** (# 3, ill. 8, page 18) :

- Set the regulating knob on "6" and let the burner run for a few minutes. The flame must be shaped like a cone and reach the upper part of the window.

- If the flame is too low ; increase the flame by turning the

setting screw # 3 counter clock-wise.

- If the flame is too high ; reduce the flame by turning the setting screw clock-wise.

**Please note - Very important :** The adjustments of the float regulator are very sensitive. The high and the low setting screws must never be turned more than a 1/4 of a turn at a time in any direction from their initial setting.

When making any adjustments, allow 3 to 5 minutes between adjustments to allow burner to stabilize to previous adjustment before proceeding, if necessary.

## 2.10. Chimney draught

Once the stove has been properly installed, the chimney draught must be checked.

The adjustment of the draught can be made with the barometric damper located at the back of the stove (# 1, ill. 8).

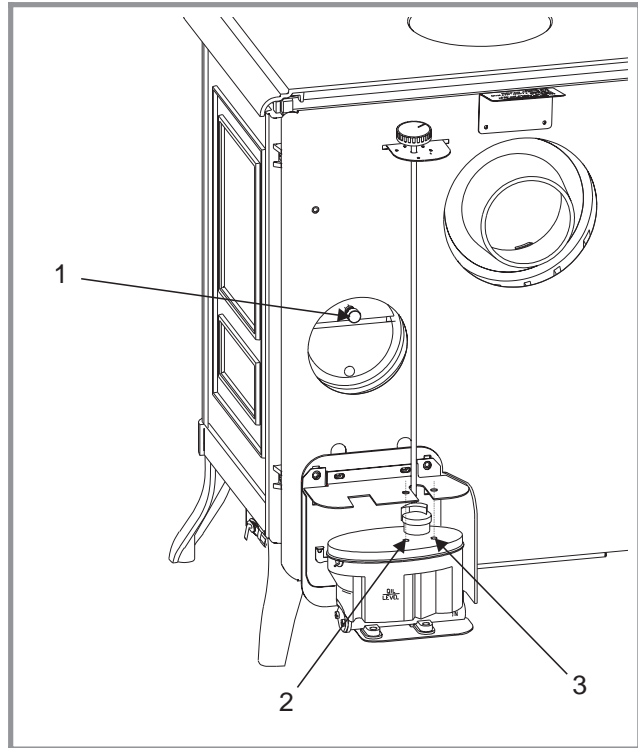
The reading of the draught must be done once the unit is hot (minimum 30 minutes of use).

Refer to the specifications page 15 for minimum draught requirement on mini setting and on maxi setting.

## 2.11. Maintenance of the Chimney

Chimney and chimney connector should be inspected at least once every three months during the heating season to determine if a soot build up has occurred. If soot has accumulated, it should be removed to reduce the risk of a chimney fire.

**Once or twice a year :** Remove the flue baffle (# 23, ill. 10, page 22). First remove the top plate (2 screws, one on each side of the stove).



*Ill. 8 - Operating devices*

- 1 - Adjustment of the draft regulator
- 2 - Adjustment screw for mini setting
- 3 - Adjustment screw for maxi setting

## 3. Operating instructions

### 3.1. Fuel

**Warning :** Your stove is fitted with a specific carburettor for a specific oil. The fuel oil must be free from any dirt and water which could disturb the stove in operation.

**174 10 25 :** Use only kerosene (28 seconds).

**174 10 31 :** Use only diesel oil (35 seconds).

### 3.2. Lighting procedure

Be sure the control knob is to "0" (# 1, ill. 9).

- Turn on oil supply,
- Push down gently on the safety lever (# 4, ill. 8, page 18). This will allow the oil to flow into the regulator.
- Open the front door, and remove the catalyser from burner (# 4, 5 & 6, ill. 2, page 16). Make sure the inside of the pot is clean thoroughly, and there is no oil accumulation.
- Place 2 tablespoons of methylated spirit or gelled alcohol in the bottom of the pot. Light the starter gel or methylated spirit with a fireplace match or long butane lighter. Place the catalyser back into the burner, being sure it is centered in the burner. Shut the main door.
- Allow the catalyser to heat approximately 30 to 45 sec.. Turn dial to "1" position.
- Allow 10 to 15 minutes for oil fire and draught to stabilize. The catalyser should glow red before adjusting the control knob to a higher setting.

### 3.3. Operating procedure

▣ Allow 10 to 15 minutes after lighting to adjust the control knob to a higher setting, usually between a "2" and "4" setting.

When adjusting the heat output, move the control knob only 1 number in either direction, allowing 5 minutes between moves for the flame to re-adjust to new setting.

▣ If the burner stops during operating, immediately turn off the control knob (position "0") and wait until the burner is completely cool before repeating the lighting procedure.

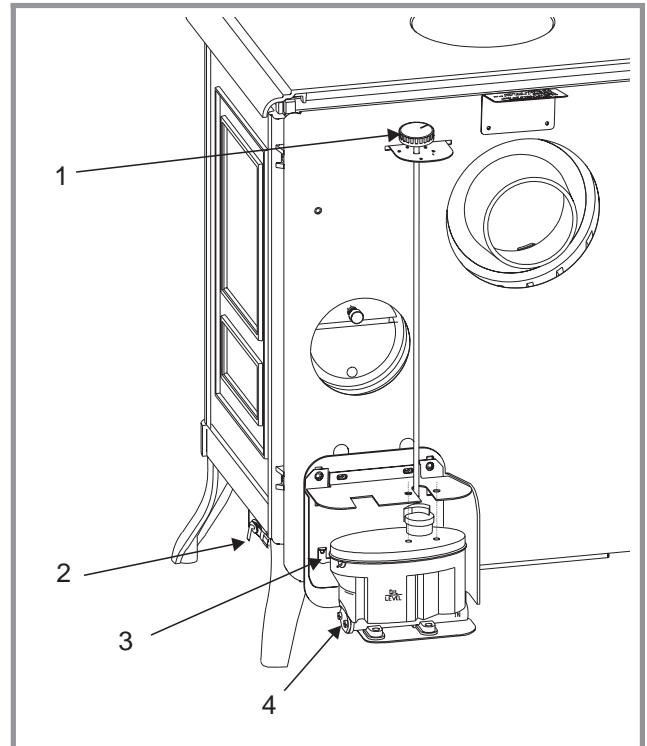
### 3.4. Shutting down

- Set dial to the "0" position (# 1, ill. 9)
- Raise the safety lever of the regulator.
- Allow the flame to burn out completely before opening the door.

### 3.5. Recommendation

▣ The adjustment of the stove has been made at the factory and checked by your installer. Any anomaly of operation should be reported to him at once.

▣ This room heater is a high heat producing appliance and may cause severe burns if touched on the glass front door, or on top directly over the burner - keep children away - Do not use for drying wet clothing.



*Ill. 9 - Operating devices*

- 1 - Regulation knob
- 2 - De-scaling lever
- 3 - Safety lever
- 4 - Access to regulator filter

**CAUTION :** Never light the burner if there is oil in the burner pot. Clean out oil before lighting.

**Racing :** An audible fluttering sound is an indication that there is too much oil in the pot burner and/or a lack adequate draught.

- turn off oil supply and set the control knob in closed position "0", until fire has decreased to proper burn rate.

▣ **Do not overfire :** If the stove or chimney connector starts to glow, you are overfiring.

### 3.6. Maintenance of the stove

▣ **Every week :** operate the de-scaling lever (# 3, ill. 9, page 19) :

- Pull the rod, then push the rod in rotating 360 degrees two or three times (CAUTION : The rod is HOT).

▣ **Every 3 or 4 months :** Clean the burner completely.

- Remove all the parts of the catalyser (# 4, 5 & 6, ill. 2, page 16).

- Using a soft bristle brush (a small clean paint brush), carefully brush off the catalyser. Loosen any carbon soot from the bottom of the burner with a putty knife, and vacuum clean. Ensure that the small air holes in burner are free of carbon.



▣ **At least once a year / End of heating season** : Clean or replace all the oil filters in the oil supply line.

*To clean the filter of the float regulator :*

- set the regulation knob in closed position "0",
- turn off the tank valve or the valve of the oil supply line,
- raise the safety lever of the float regulator,
- place a small container (or a small rag) under the regulator filter opening in order to collect the oil contained in the regulator,
- remove the filter cover plate located under the regulator (# 4, ill. 9, page 19) with a screwdriver,
- remove the tubular filter from the regulator. Clean, if ne it

with oil using a soft brush, never a wire-brush,  
- replace the filter in the regulator, install the cover plate and secure with the screw.

▣ Clean all the enamelled panels of the stove with a dry or slightly damp soft cloth.

▣ Use a soft clean cloth to wipe the front glass when the unit is running at a low burning rate. When the main door is opened for cleaning, the flame will be disturb, and turn to a yellow flame. Clean quickly, but gently. Close the door, the flame will return to a normal burning position.

### 3.7. Trouble shooting



☑ : This sign means that you should asked for a qualified engineer to do the work.

Situation	Cause	Action
<i>Flames extinguish during lighting.</i>	▣ <b>Very cold chimney. No draft established.</b>	- Leave door ajar until fire has caught. - Check air supply in the room.
<i>Fire extinguishes once firestarter has burnt off.</i>	▣ <b>Fuel tank is empty.</b>	- Fill tank.
	▣ <b>Fuel valve is closed.</b>	- Open valve.
	▣ <b>Main regulator float not engaging.</b>	- De-press the safety lever.
	▣ <b>Control knob is set on "0"</b>	- Adjust control knob to "1".
<i>Fire extinguishes during use.</i>	▣ <b>Fuel tank is empty.</b>	- Fill tank.
	▣ <b>Insufficient draft.</b>	☑ - Call your installer.
<i>Flame is excessely large, smokey and sooty.</i>	▣ <b>Fuel adjustment made too quickly.</b>	- Return control knob to "1"; wait for normal combustion. (catalyser should glow red) Wait 5 to 15 minutes between each adjustment.
<i>Stove burns noisily, extinguishes and relights itself.</i>	▣ <b>Burner contains excess fuel.</b>	☑ - Adjust to lower setting. If problem persists call your installer.
	▣ <b>Insufficient fuel.</b>	- Check that the de-scaler, the regulator filter and burner pot are cleaned.
<i>Fire smokes. Soot build up noticed. Flame imbalance</i>	▣ <b>Insufficient air supply.</b>	- Increase fresh air supply (open door, window; add make up air supply).
	▣ <b>Downdraft or blockage in chimney.</b>	☑ - Check Chimney for Soot build up. clean if necessary. - Ensure chimney height is sufficient and cap is not affected by any nearby obstructions. - Room is in negative pressure. Increase fresh air supply. Check draft with draft meter and adjust if not to requirements. See page 15.
	▣ <b>Oil flow is too low on 1 setting.</b>	☑ - Adjust low flow rate while control is set on "1", call your installer.
	▣ <b>Stove is not level. Flame imbalance.</b>	- Check level. Adjust if necessary.
	▣ <b>Catalyser not centered. Uneven fuel distribution resulting in secondary air shortage.</b>	- Center catalyser assembly



▫ Insufficient fuel.

- Check that the de-scaler, the regulator filter and burner pot are cleaned.

▫ The draft regulator is blocked in open position

- Unlock the draft regulator.  
- Check the regulator adjustment (p. 17) and refit, if necessary.

Coke build up noticed.

▫ Excessive air supply.

- Adjust draft.

## 4. Spare parts

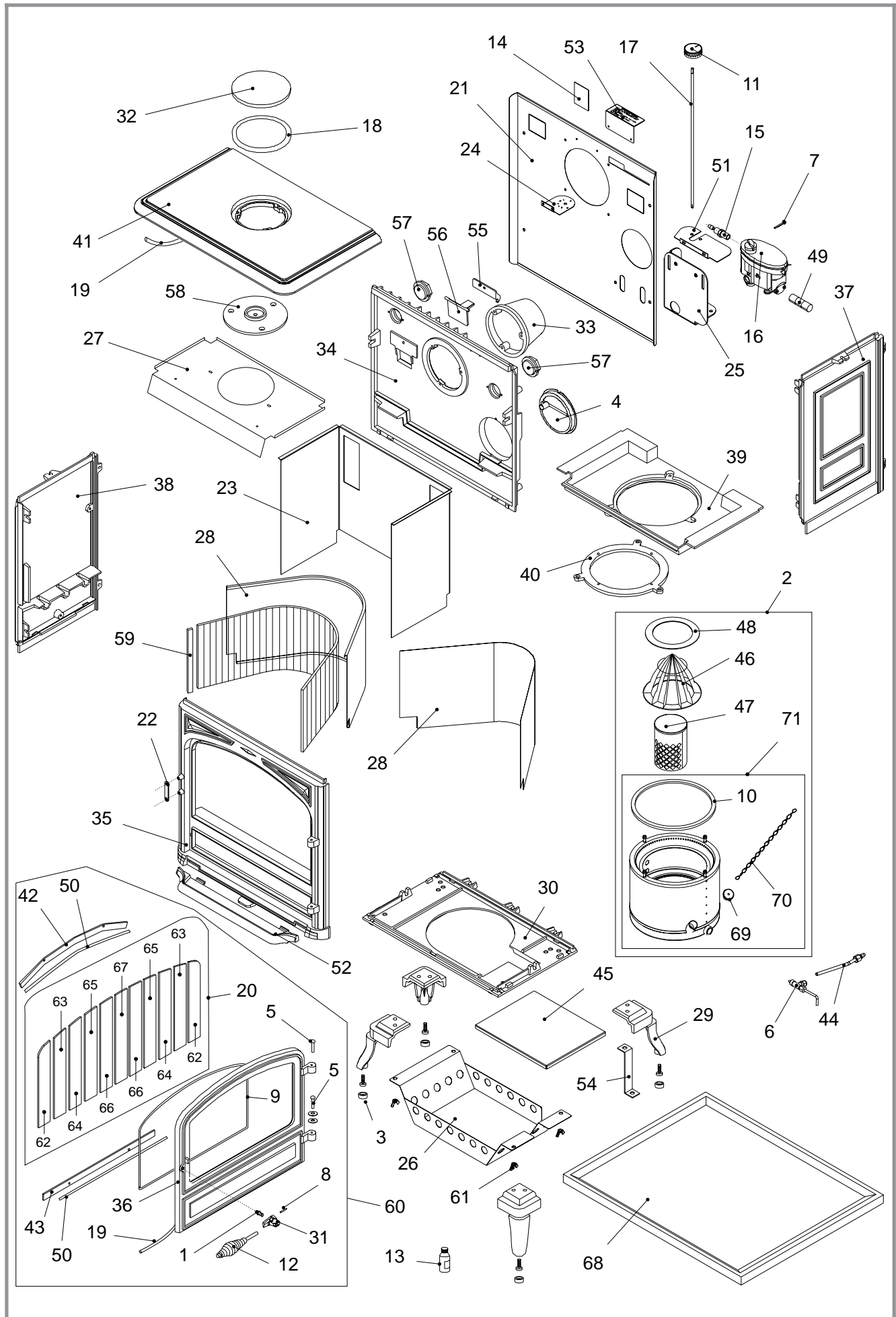
For any order of spare parts, please indicate : model number, code of the colour, description of the part, code number and colour index of the part.

A = 174 10 25 Y    B = 174 10 31 Y

C = 174 10 31 L    D = 174 10 31 K

Example : Burgundy **174 10 25 Y**, top plate **352124 76**.

N°	Code	Description	Type	A	B	C	D	Qty
1	100956	Axle		A	B	C	D	01
2	905324	Complet burner	C5	A	B	C	D	01
3	109552	Cap		A	B	C	D	04
4	110105	Barometric damper		A	B	C	D	01
5	110405	Hinge pin	6x35	A	B	C	D	02
6	119211	Descaler		A				01
6	119213	Descaler			B	C	D	01
7	134601	Pin	2x20	A	B	C	D	02
8	134749	Pin	4x20	A	B	C	D	01
9	142301	Adhesive rope		A	B	C	D	1,32 m
10	142412	Gasket		A	B	C	D	01
11	149868	Knob		A	B	C	D	01
12	158541	Handle		A	B	C	D	01
13	161025	Touch-up paint	(L)			C		01
13	161026	Touch-up paint	(K)				D	01
14	162356	Descriptive plate		A				01
14	162430	Descriptive plate			B		D	01
15	164205	Oil-tight nut		A	B	C	D	02
16	165124	Float regulator		A				01
16	165139	Float regulator			B	C	D	01
17	179605	Regulator shaft		A	B	C	D	01
18	181604	Ceramic rope	10x4	A	B	C	D	1 m
19	181615	Ceramic rope	Ø 12	A	B	C	D	3,16 m
20	188791	Refractory glass	11 Part.	A	B	C	D	01
21	205386	Back panel		A	B	C	D	01
22	221200 66	Striking plate		A	B	C	D	01
23	222536	Flue baffle		A	B	C	D	01
24	236708 94	Bracket		A	B	C	D	01
25	239714 60	Carburettor support		A	B	C	D	01
26	260580 60	Heat shield		A	B	C	D	01
27	262307	Heat shield				C	D	01
28	276216	Reflector		A				01
28	276219	Reflector			B	C	D	01
29	300118 59	Leg		A	B			04
29	300118 76	Leg					D	04
29	300118 77	Leg				C		04
30	300472	Base		A	B	C	D	01
31	301515 66	Door lock		A	B	C	D	01
32	303718 59	Blanking plate		A	B			01
32	303718 76	Blanking plate					D	01
32	303718 77	Blanking plate				C		01
33	303828 59	Flue collar	Ø 120/127	A	B			01
33	303828 76	Flue collar	Ø 120/127				D	01
33	303828 77	Flue collar	Ø 120/127			C		01
34	306273	Back wall		A	B	C	D	01
35	309857 59	Front plate		A	B			01
35	309857 76	Front plate					D	01
35	309857 77	Front plate				C		01
36	309975 59	Main door		A	B			01
36	309975 76	Main door					D	01
36	309975 77	Main door				C		01
37	310723 59	R. side panel		A	B			01
37	310723 76	R. side panel					D	01
37	310723 77	R. side panel				C		01
38	310821 59	L. side panel		A	B			01



III. 10 - Stove - exploded view

38	310821 76	L. side panel					D	01
38	310821 77	L. side panel				C		01
39	312625	Burner support	A	B	C	D		01
40	321903	Rim	A	B	C	D		01
41	352124 59	Top plate	A	B				01
41	352124 76	Top plate				D		01
41	352124 77	Top plate			C			01
42	276607 60	Glass retainer	A	B	C	D		01
43	407204 60	Glass retainer	A	B	C	D		01
44	982608	Feed line regulator-burner	A	B	C	D		01
45	262216	Shield	A	B	C	D		01
46	194401	Catalyser cover	A	B	C	D		01
47	194402	Catalyser body	A	B	C	D		01
48	198205	Catalyser ring	A	B	C	D		01
49	199204	Regulator filter	A	B	C	D		01
50	142316	Gasket	7x3	A	B	C	D	0,86 m
51	261811 60	Heat shield	A	B	C	D		01
52	327901 59	Ash-tray	A	B				01
52	327901 76	Ash-tray				D		01
52	327901 77	Ash-tray			C			01
53	202801	Support		B	C	D		01
54	445902	Fixing plate		B	C	D		01
55	303301	Bearing	A	B	C	D		01
56	909401	Sliding door	A	B	C	D		01
57	325304	Reducing plate	A	B	C	D		02
58	327801	Clamp	A	B	C	D		01
59	72561	Mirror glass	34x(260x20)		B	C	D	01
59	72613	Mirror glass	34x(260x20)	A				01
59	199309	Mirror glass	1x(260x20)	A	B	C	D	34
60	988847	Complete door	A	B				01
60	988848	Complete door			C			01
60	988849	Complete door				D		01
61	122204	Winged nut	A	B	C	D		04
62	199310	Refractory glass	A	B	C	D		02
63	199311	Refractory glass	A	B	C	D		02
64	199312	Refractory glass	A	B	C	D		02
65	199313	Refractory glass	A	B	C	D		02
66	199314	Refractory glass	A	B	C	D		02
67	199315	Refractory glass	A	B	C	D		01
68	242915 10	Ground vat	A					01
69	104708	Plug	A	B	C	D		01
70	109718	Chain	A	B	C	D		01
71	905321	Basic burner	A	B	C	D		01



## Warranty certificate

### Legal warranty

Our products are guaranteed for twelve months against any defect, flaw or imperfection. During this time, all parts judged defective by our Warranty control department may be replaced in our workshops. Incidental costs of transportation and packing payable by the buyer.

Some parts or components have a longer warranty period :

- Cast-iron shell of boiler : 3 years
- Steel shell of boiler : 3 years
- Removable or independent stainless steel hot water cylinder : 5 years
- Independent enamelled steel hot water cylinder : 3 years
- Incorporated circulating pump : 2 years.

### Terms of the warranty

This warranty is only valid if :

- The unit has been installed and checked by a professional installer before operating,

- All installation and adjustment instructions listed in the technical manual supplied with the unit have been followed,
- All operation and maintenance instructions have been followed.

### This warranty does not cover :

- Lamps, fuses, spark plugs, cast iron parts directly in contact with burning coal and wood, firebricks, glasses .
- Any damage resulting from the use of fuel not recommended in our instructions ;
- Parts which are damaged by external causes such as unadapted chimneys, thunderstorms, damp, faulty pressure or fail in pressure, thermic anomalies, explosions, etc...
- Electrical parts which are deteriorated by any connection or use on a supply circuit with voltage within 10% of the indicted voltage (230 V).

Material subject to modifications without prior notice. This manual does not engage the responsibility of FRANCO BELGE.

Name and address of installer : \_\_\_\_\_

Téléphone : \_\_\_\_\_

Name and address of customer : \_\_\_\_\_

Date of installation :

\_\_\_\_ / \_\_\_\_ / \_\_\_\_

Model of the appliance :  174 10 25     174 10 31

Color :  Y     L     K

Serial number :

\_\_\_\_\_

This certificate has to be completed and kept carefully.

In case of claims, send a copy of this to :

**Les Fonderies Franco Belges**, rue Orphée Variscotte, 59660 MERVILLE, FRANCE.