

---

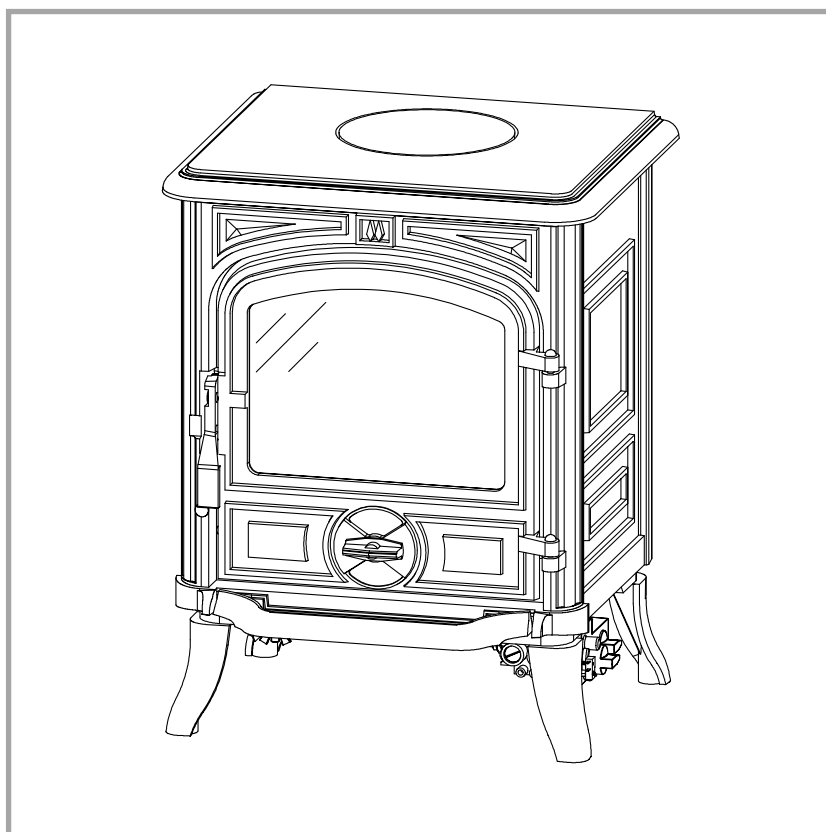
# BELFORT GP

---

Gas stove - EN 613

**Model : 154 05 16**

Propane gas (type G31)  
Category I3p



Description of the appliance

Installation instructions

Operating instructions

Spare parts

Warranty certificate

---

Document n°1183-1 ~ 27/09/2004

FR

EN

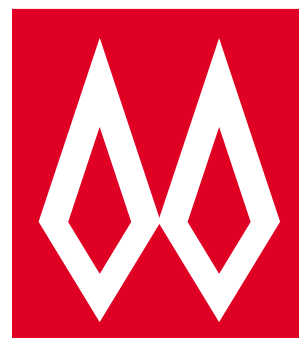


## Technical manual

to be saved

by the user

for future reference



**FRANCO BELGE**

**STAUB FONDERIE**

**Head Office Address**

2, rue Saint Gilles  
68230 TURCKHEIM  
RC Colmar  
SIREN 439 330 325

**Address - Administration and  
manufacturing**

BP 73  
59660 MERVILLE (FRANCE)  
Telephone : 00 333 28 43 43 43  
Fax : 00 333 28 43 43 99

Subject to modifications.

FRANCO BELGE congratulates you on your choice.  
 FRANCO BELGE, which has been granted the ISO 9001 certification, guarantees the quality of its appliances and is committed to meet its customers' needs.  
 FRANCO BELGE, which can boast a 75-year experience in the industry of heating devices, uses state-of-the-art technologies to design and manufacture its whole range of products.  
 This document contains instructions on how to install your appliance and make full use of its functions, both for your comfort and safety.

---

## Contents

---

|                                            |    |                                      |
|--------------------------------------------|----|--------------------------------------|
| <b>Description of the unit . . . . .</b>   |    | <b>3</b>                             |
| Package . . . . .                          | 3  | Dimensions . . . . . 3               |
| Optional equipment . . . . .               | 3  | Operating principle . . . . . 4      |
| Specifications . . . . .                   | 3  | Safety advice . . . . . 4            |
| <br>                                       |    |                                      |
| <b>Installation instructions . . . . .</b> |    | <b>5</b>                             |
| Check the stove . . . . .                  | 5  | Mounting the flue collar . . . . . 6 |
| Ventilation . . . . .                      | 5  | Pressure Testing . . . . . 7         |
| Clearance requirements . . . . .           | 5  | Door Lock . . . . . 7                |
| Chimney connector . . . . .                | 6  | Ceramic Fuelbed Layouts . . . . . 8  |
| Connecting the gas supply . . . . .        | 6  | Commissinoing the Stove . . . . . 9  |
| <br>                                       |    |                                      |
| <b>Instructions for user . . . . .</b>     |    | <b>10</b>                            |
| Manual Tap . . . . .                       | 10 | Maintenance . . . . . 11             |
| Recommandations . . . . .                  | 10 | Trouble shooting. . . . . 11         |
| Safety devices . . . . .                   | 11 |                                      |
| <br>                                       |    |                                      |
| <b>Spare parts . . . . .</b>               |    | <b>12</b>                            |

---

This appliance is a gas stove.

## WARNING

This appliance must be installed in compliance with the rules in force by a competent engineer.

The appliance must not be operated if the window is cracked or broken.  
The safety pilot on the burner must not be adjusted and must not be put out of operation.

Incorrectly installed gas appliances can be dangerous and possibly cause serious accidents.

The manufacturer's responsibility shall be limited to the supply of the appliance.

# 1. Description of the unit

## 1.1 Package

The package will contain the following parts:

- Belfort Stove inc. Burner
- Logs kit (FB 0516)  
or Coals kit (FC 0516)

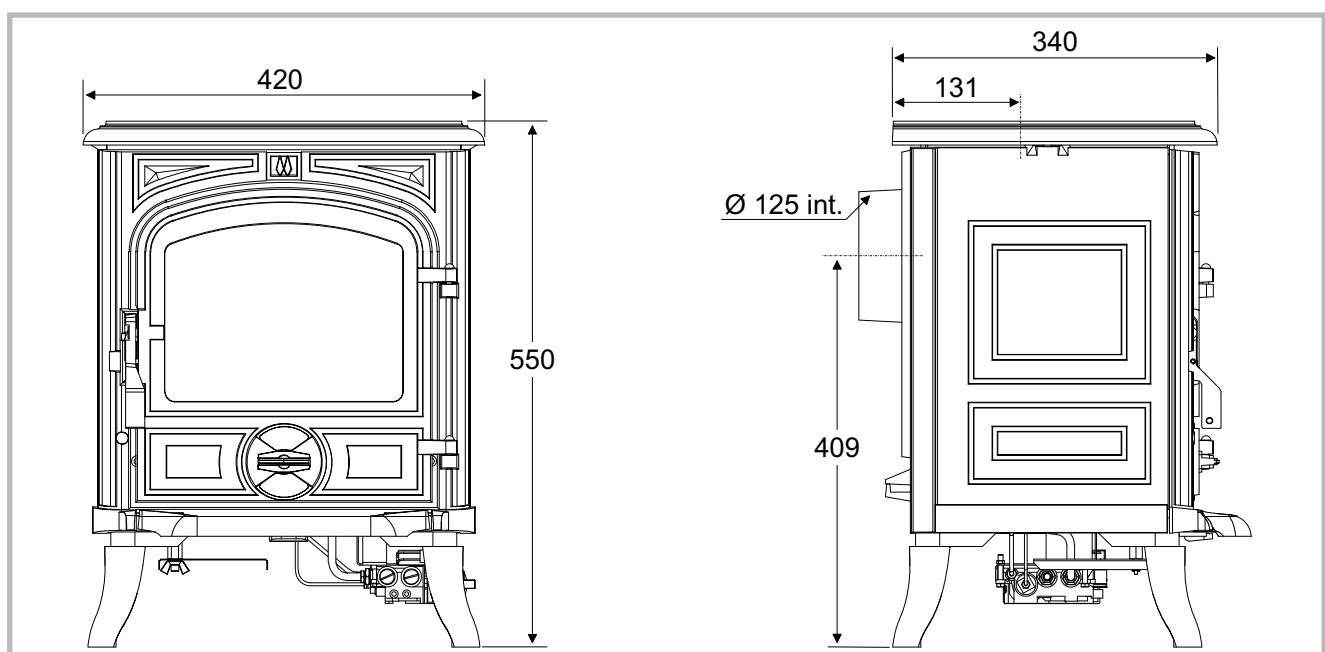
## 1.2 Optional equipment

- Remote Control (Simple version) (TCB 0515)
- Remote Control (Programmable version) (TCB 0515)

## 1.3 Specifications

|                                               |         |
|-----------------------------------------------|---------|
| Model . . . . .                               | Belfort |
| Gas . . . . .                                 | Propane |
| Type/Category . . . . .                       | G31/I3P |
| Heat Input . . . . . kW                       | 4.2     |
| Supply Pressure . . . . . mbar                | 37      |
| Burner Pressure . . . . . mbar                | 5.5     |
| Gate Rate (max.) . . . . . m <sup>3</sup> /hr | 0.16    |
| Gate Rate (min.) . . . . . m <sup>3</sup> /hr | 0.08    |
| Injector . . . . .                            | 120     |
| Weight . . . . . kg                           | 55      |

## 1.4 Dimensions



*Figure 1 - Dimensions in mm*

## 1.5 Operating principle

The appliance is designed for operating only with the door closed.

The stove is designed to run only off propane gas (type G31).

Heat is mainly diffused by radiation through the window and by hot air diffusion around the body of the appliance.

The pilot light is on constantly.

The appliance is fitted with a 'Flame Supervision Device' (FSD). If the burner should become accidentally extinguished, the FSD will automatically cut off the gas supply.

The system is not adjustable, and should not be rendered inoperative.

## 1.6 Safety advice

This appliance has a ceramic Fire-bed layout, this contains Refractory Ceramic Fibres which are manmade vitreous silicate fibres. Excessive exposure to these materials can cause irritation to eyes, skin and respiratory organs. Hence we recommend that when handling these materials the release of dust should be kept to a minimum. During installation and servicing we recommend that a HEPA filtered vacuum be used to remove any dust and soot in and around the fire. If any of the ceramic fire-bed components need to be replaced we recommend that the removed parts be sealed in a heavy duty polythene bag, and be labeled as RCF waste. RCF is not "Hazardous waste" and can be disposed of at a licensed tipping site for the disposal of industrial waste.

The appliance incorporates an Oxygen Depletion Sensor (ODS) Monitoring system. This is located on the front of the burner, and must not be adjusted by the installer. This ODS system must not be put out of operation, and if any parts require changing, only original manufacturer parts shall be used.

The Belfort is designed to be used on either Propane Gas (G31). However the stove may only be used on the specific gas requested at the time of purchase, and the stove data plate should be checked before fitting is commenced to ensure that the correct gas is specified.

This appliance has been designed, tested and approved to meet standards in place for product use, performance and safety. Installation of your stove must comply with current building regulations. Franco Belges therefore recommend that a CORGI engineer be employed for this task. Taking particular notice of "thermal inversion" The engineer will provide you with information about the safety limits of the installation and should fix a notice plate in a place where it can be readily seen, eg: next to the electricity meter.

This appliance is designed as an efficient heating device and consequently all body parts become very hot in use. Except for the control knob and control access door, which are designed to stay cool, all other parts are working surfaces and should not be touched.

The glass and frame on this appliance acts as a fireguard conforming to BS: 1945 – 1971 and satisfies

the Heating Appliance (Fireguards) regulations 1991. No part of the window or frame should be permanently removed. **It does not give full protection for young children or the infirm**, extra protection should be considered for these conditions conforming to BS 6539 or BS 6778.

Bearing in mind that the heat given off by this appliance may affect articles placed close to it, curtains should not be placed within 30cm.

The appliance is not designed as a dryer. It is not therefore recommended that the appliance be used in such a manner. Do not place any articles within 30cm of this appliance as this may result in damage to the articles.

The installation must be carried out in accordance with the following regulations:

The Building Regulations issued by the Department of the Environment, the Building Standards (Scotland) (Consolidation) Regulations issued by the Scottish Development Department.

BS 1251, BS 5440 part 1, BS 5871 part 2, BS 6461 part 1, BS 6891 and BS 8303.

In the Republic of Ireland the installation must also conform to the relevant standards, particularly in regard to flue sizing and ventilation. Refer to documents IS813, ICP3, IS327 and any other rules in force.

This appliance must be installed in accordance with the rules in force and used only in a sufficiently ventilated space.

## 2. Installation instructions

The appliance should only be installed by a professional engineer, in the strict application of normal practices and all safety precautions. The installation must be carried out according to the Standards and the Building Regulations.

### 2.1 Check the stove

- Check the stove immediately after reception.
- Ensure that the appliance conforms to the type of gas distributed and the method of venting away the combustion products as per the indications on the appliance's information plate and the gas setting label affixed to the appliance when it leaves the factory.
- The appliance is adjusted and sealed in accordance with category (G31) I 3p.
- Notify the vendor if there is any damage or fault.

### 2.2 Ventilation

The premises should be in accordance with the building regulations.

**Ventilation** : The ventilation rate should be of at least 22 m<sup>3</sup>/h.

This gas stove is rated at less than 7kW; it therefore does not normally require additional ventilation in the room to conform to BS 5871 pt.2. However it is important that adequate air for complete combustion is available, and also if other gas appliances or extractor fans are fitted in the same room or adjacent area, then it will be necessary to refer to BS 6714 and BS 5440 :pt.2. to ascertain the additional ventilation requirements.

### 2.3 Clearance requirements

The stove must stand on a fireproof hearth, which must be of a non-combustible material with a minimum thickness of 12 mm and extend 150 mm in front of the stove.

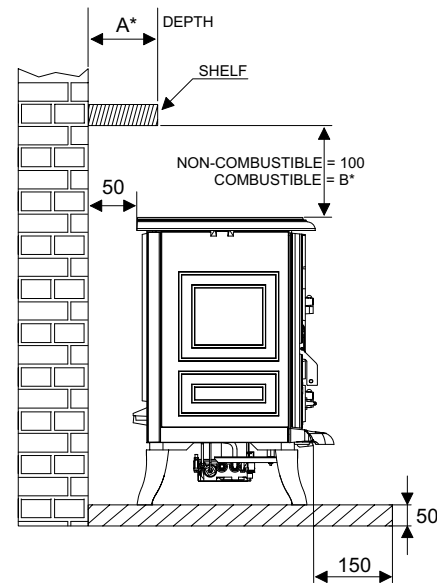
The hearth must not be capable of inadvertent covering by a rug or carpet. This may be achieved by either the hearth being 50 mm above the level of the floor, or a fender or kerb around the hearth to a height of 50 mm.

The appliance must not be fitted against a rear wall constructed from a combustible material; a gap of 300 mm should be given all round the stove before combustible materials may be used in the wall construction.

If the appliance has to be located in an opening, the minimum clearance from non-combustible materials is shown in the figure.

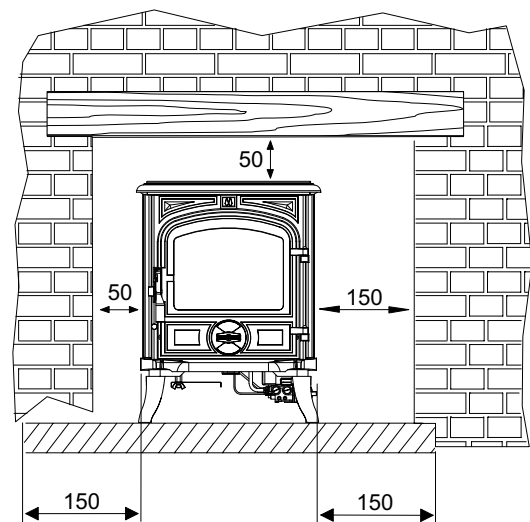
The stove must be located at least 280mm from any combustible materials.

A combustible shelf may be fitted over the appliance, if in the case of a 150 mm or less deep shelf, there is at least 280 mm clearance above the top of the stove. The shelf depth may increase at the same rate as the increase in clearance.



| A   | B   |
|-----|-----|
| 100 | 250 |
| 150 | 280 |
| 200 | 330 |
| 250 | 350 |
| 300 | 400 |

(i.e. a shelf depth of 200mm would require a clearance of 330mm).



If the appliance has to be located in an opening, there must be a clearance of at least 50 mm at the left hand of the appliance, 50 mm at the back of the appliance and 50 mm above from any non-combustible materials. This distance must be extended to a minimum clearance of 80 mm from any combustible materials.

There should ideally be a minimum gap of 150 mm at the right hand side of the stove (this will ensure the best possible access to the control knob). This measurement may be reduced to a minimum gap of 100 mm if needed however extra care should be taken when operating the control knob when the appliance is hot.

## 2.4 Chimney connector

The connection to flue must be carried out according to local building regulations.

- The flue must be in good condition and must provide sufficient draught. (draught required **10 to 20 Pa**).
- The flue must be **suitable** for the installation of fuel burning appliances ; otherwise it must be necessary to install a tubing.
- The flue must be **clean**. It should be swept to remove soot and dislodge tar deposits.
- The flue must be well insulated, water and air tight. A chimney with a cold internal surface can prevent a good chimney draught and condensation will occur.
- The conduit must be sealed and have a purging T.
- The conduit must be of normal cross-section and constant throughout its height, with a cross-section at least equal to that of the appliance's nozzle.
- The chimney must be at 40 cm above the ridge of the roof and 8 meters away from any construction.
- In case of a flat roof or when the roof gradient is lower than 15°, the stack must be 1,2 m (4 feet) high at least.
- The capping must not restrain the draught.

If the chimney has a down-draught tendency, due to its position in relation to nearby obstacles, an anti-down-draught cowl must be installed on the chimney or the chimney height must be increased.

## 2.5 Connecting the gas supply

It is important to ensure that all pipework installed is fitted in accordance with BS6891 and is capable of supplying sufficient gas flow and pressure to meet the minimum pressures quoted in the front of this manual. 8 mm pipe may only be used for the final connection to the stove, or within 1 meter of the appliance. An 8mm nut and olive is supplied with the stove for the final pipe joint.

A gas supply isolation tap must be installed in the supply pipework in a location that is easily accessible, such that the appliance may be isolated if necessary.

Check the tightness of the pipes using soapy water or detergent.

Do not make any connections to the appliance until all supply pipes have been purged to expel any dust or debris. View on under side of stove to show final connection of 8mm pipe to stove.

Although a gas soundness test is made on all appliances before they leave the factory, the appliance should be tested for soundness before operating the stove. This is to ensure that the burner has not been damaged in transit.

## 2.6 Mounting the flue collar

The venting nozzle is in the packet supplied.

### Smoke exit on the top (fig. 2)

- Remove the top plate, first remove the 2 screws on the sides of the appliance.
- Fit the sealing rope in the groove and attach the flue spigot using the three bolts and washers supplied.
- Check that the two blanking plates are fixed to the back wall.
- Refit the top plate, ensuring there is a good seal.

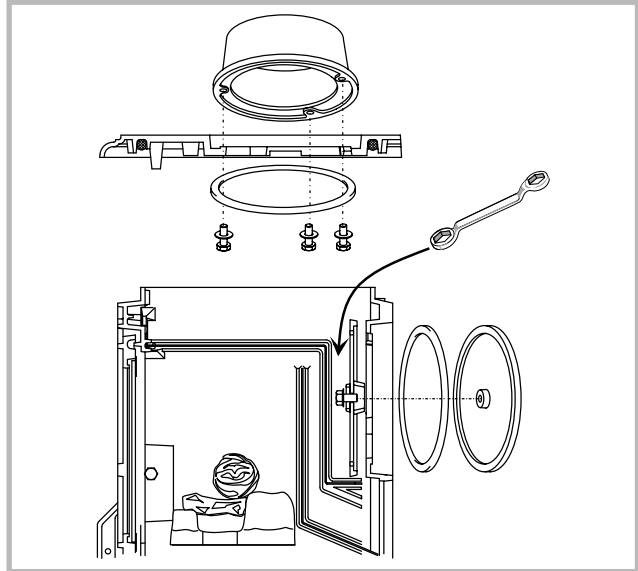


Figure 2 - Smoke exit on the top

### Smoke exit at rear (fig. 3)

- Remove the top plate, first remove the 2 screws on the sides of the appliance.
- Remove the two blanking plates fixed at the back, fix the sealing rope in the groove on the top and fit the two blanking plates on the top, ensuring there is a good seal.
- Fix the sealing rope in the groove on the rear and fit the flue spigot, using the three bolts and washers supplied, ensuring there is a good seal.

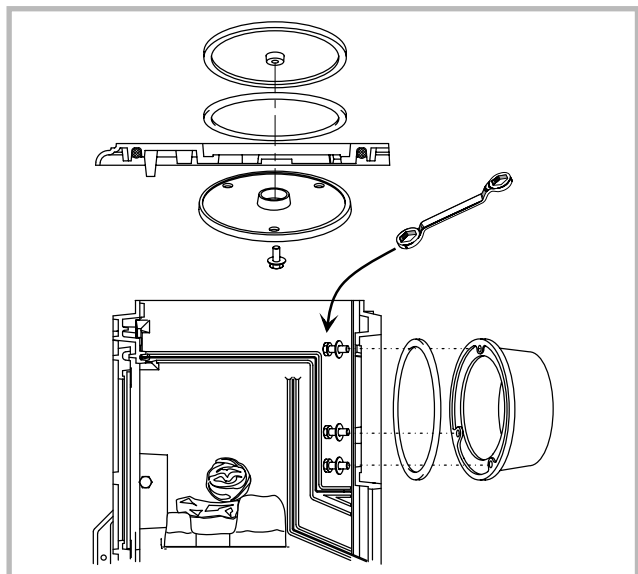
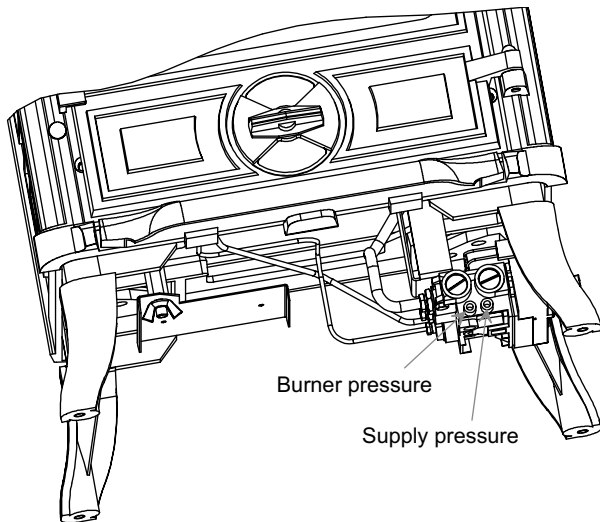


Figure 3 - Smoke exit at rear

## 2.7 Pressure Testing



The gas pressure to the stove must be measured at the burner test nipple.

For propane gas this is 5.5 mbar measured with the appliance in the full rate position.

## 2.8 Door Lock

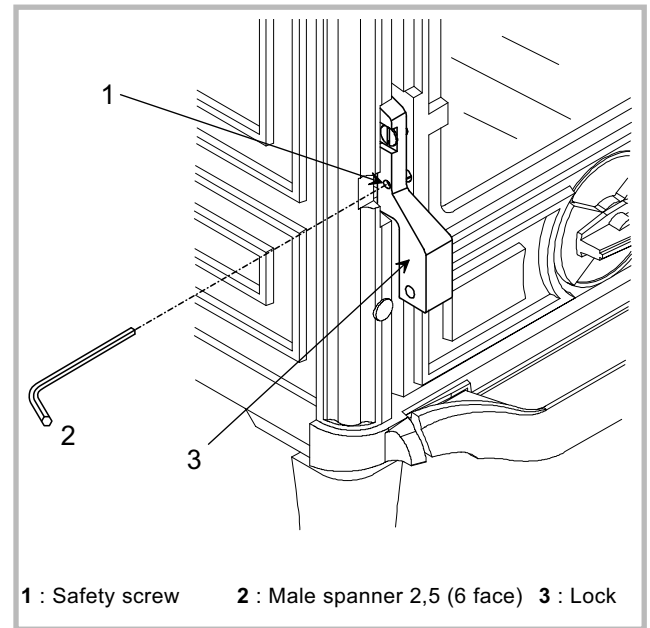


Figure 4 - Door Lock

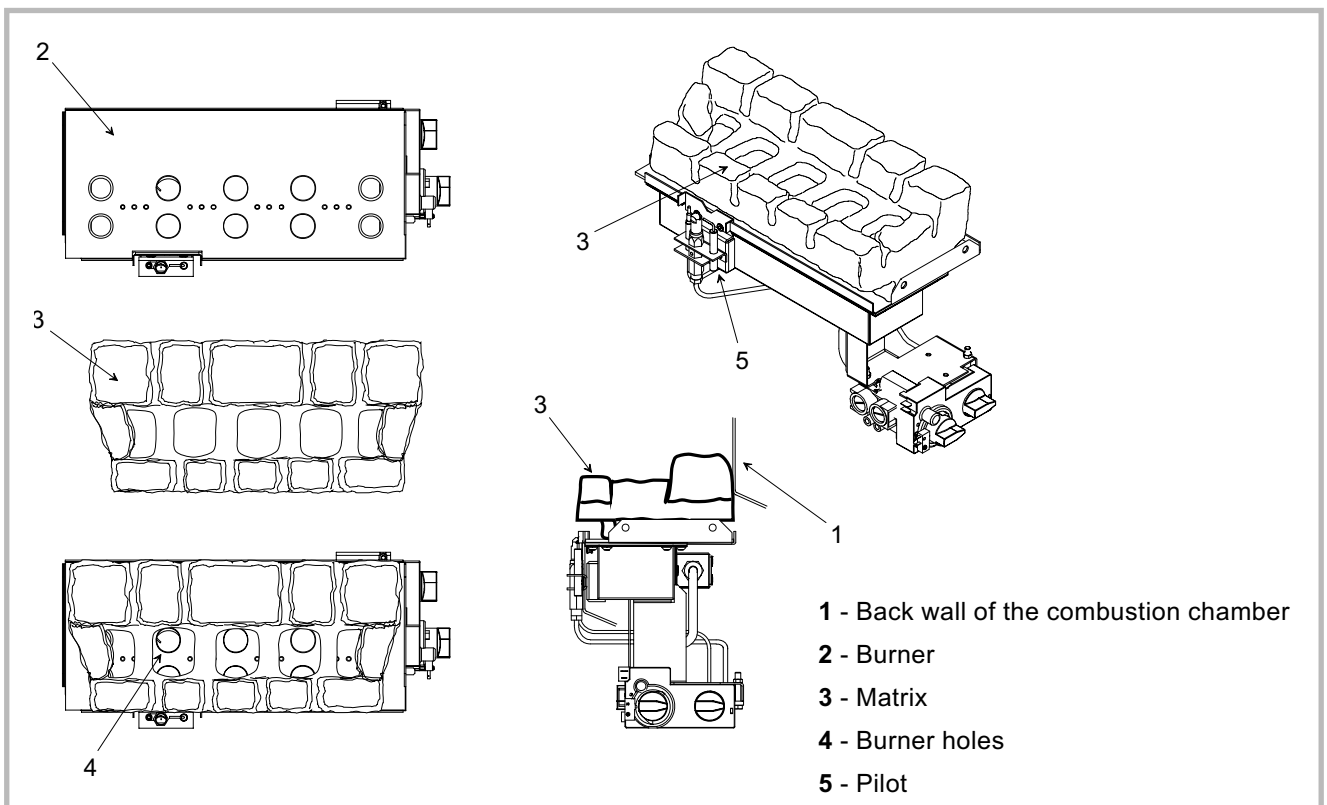


Figure 5 - Fitting the ceramic matrix (coals kit)

## 2.9 Ceramic Fuelbed Layouts

Replacement coals and ceramic are available from your dealer, but should be installed by a competent person (e.g. Corgi registered).

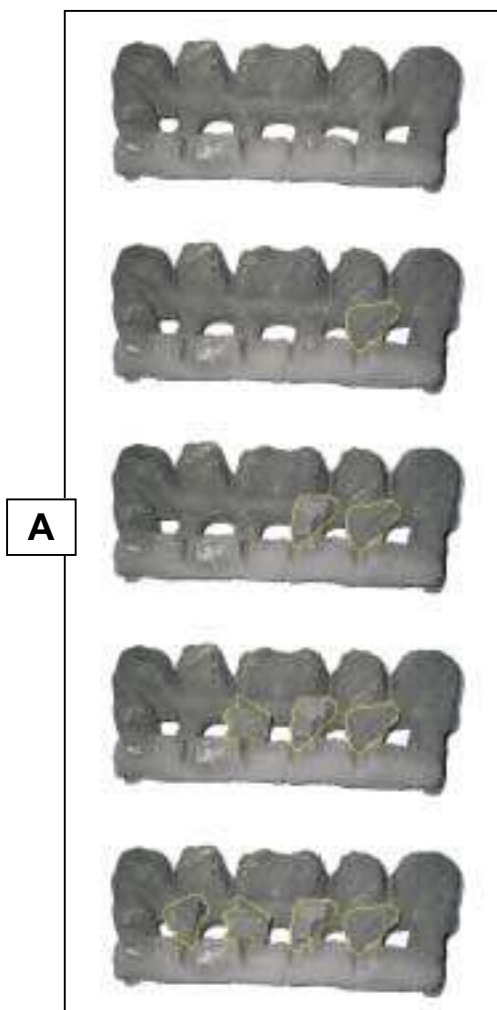
Please ensure that when fitting the matrix and coals, that you **DO NOT OBSTRUCT THE PILOT FRANCO BELGE** accept no responsibility for any injury sustained whilst handling hot ceramics.

**Instructions for the layout of the prefixed ceramic matrix and loose coals for Belfort Flueless Stove.**

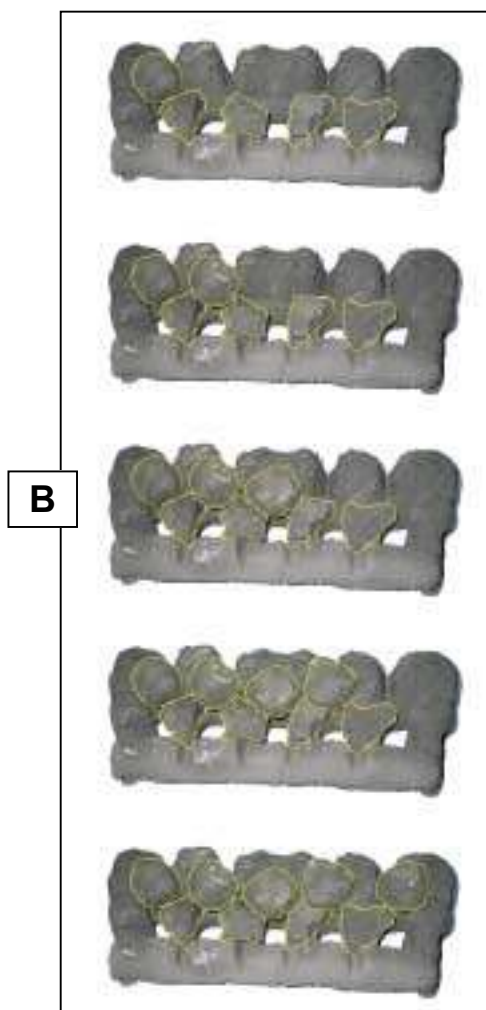
### • Coal Layout

Parts : 1 Ceramic mat, 9 Ceramic coals.

- Place the ceramic matrix on top of the ceramic mat, on the top of the burner body.
- Place 4 coals on top of the matrix as shown in (A).



- Place the remaining 5 coals as shown in (B).





## • Log Layout

Parts : 1 Ceramic mat, 1 Bag of Ceramic Embers and 4 Logs.

- Place the ceramic mat, on the top of the burner ensuring that the holes align.
- Scatter the bag of Embers over the top of the Mat, ensure that the Pilot is not impinged or obstructed, leave the rear of the mat clear.
- Place the Large "Branched" log on the rear of the burner, behind the Embers as shown in the figure.



- Place the "Chared" log in the centre of the fire, on top the Embers and the rear log as shown in the figure.
- Place the two remaining logs either side of the centre log, on top the Embers and the rear log as shown in the figure. These should lay with one end of each log in the front corners by the log bar, the other end should lay on top of the rear log by the centre log.

## 2.10 Commissinoing the Stove

A spillage test MUST be made before the installed stove is left with the customer.

Carry out the test by first closing all doors and windows in the room containing the stove.

Ensure that the fire is burning at full rate for a minimum of 5 minutes.

Using a smoke match, run along the edge of the draught diverter. The smoke should be drawn into the draught diverter. The test should be made over the full width of the draught diverter, and the test may be done from either left or right.

If most of the smoke is not drawn into the draught diverter leave for a further 10 minutes and repeat.

If there is a fan in the room (or adjacent rooms) the spillage test be repeated with the fan running on full power and all connecting doors between the fire and fan left open.

If there are problems, the chimney/flue may require attention. Isolate the stove and seek expert advice.

The stove will produce an odour and/or smoke for the first few hours of use. Please ventilate the room.

### 3. Instructions for user

Appliance 154 05 16 is set for natural gas (G31) and sealed in accordance with category I 3P.

A qualified installer must connect and commission the appliance in accordance with the prevailing regulations; otherwise the guarantee is void.

**Warning:** You are strongly advised to protect unsupervised young children and handicapped people from the high temperature reached by the accessible operating surfaces and in particular the glass.

The ignition and adjustment knob is on the bottom right of the appliance. The pilot light is to the front of the burner, under the matrix.

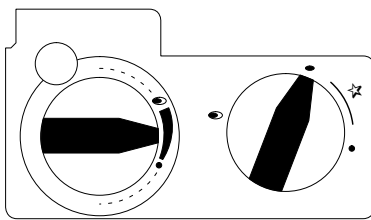
#### 3.1 Manual Tap

##### • Igniting the Pilot Light

Turn the Right-hand knob slightly anti-clockwise towards the ignition position until reaching stop, depress and hold for five seconds (only pilot gas flows). Whilst still depressed, turn further in an anti-clockwise direction to activate the piezo. If the pilot does not light, repeated immediately.

Continue to keep the knob depressed for a further 10 seconds, after the pilot has been lit.

Upon releasing the knob, the permanent pilot will remain lit, if not return to off position and repeat.

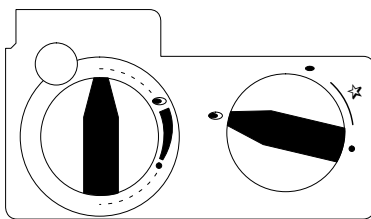


##### • Running the appliance at high output

Ignite permanent pilot as shown in "Igniting the pilot light".

Turn the Right-hand control knob anti-clockwise to the setting, which shows the larger flame. Turn the Left-hand control knob anti-clockwise to the highest setting (large flame).

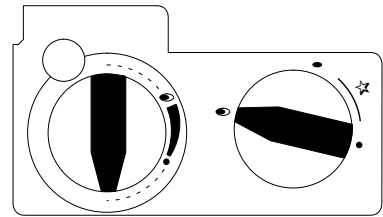
The appliance is now burning at its highest operating output.



##### • Running the appliance at low setting

Ignite permanent pilot and run appliance at "High" setting for a minimum of 10 minutes as shown above.

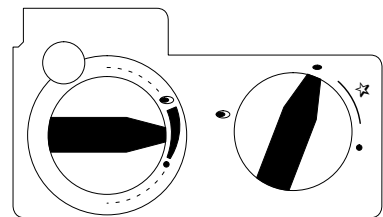
With the Left-hand control knob at then highest setting, rotate in a clockwise direction to the lowest setting (filled circle).



The appliance is now operating at its lowest operating output.

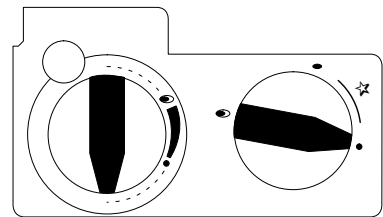
##### • Extinguishing the appliance back to permanent pilot setting

From any heat setting, turn the Right-hand knob in a clockwise direction to the "Pilot" position (the smaller flame).



##### • Extinguishing the appliance fully

From any heat setting, turn to "Pilot" as in "Extinguishing the appliance back to permanent pilot setting". Depress the same knob slightly and turn clockwise to "Off" position (filled circle).



#### 3.2 Recommendations

- Whenever you ignite the appliance, ensure that the pilot light's flame is long enough (2-3cm) to light the burner rapidly. Too long a delay in ignition can become noisy and even dangerous. When the flame seems too short, notify your heating engineer so that he can clean the pilot light.
- Close the safety tap when the stove is not used.
- Under no circumstances should the appliance be operated with the door open or the door glass damaged.
- **If you smell gas : Do not smoke ! Avoid naked flames ; do not use electric devices.** Open windows and doors, close the gas tap and call your installer way from the scene.

**Never look for gas leaks with a naked flame.**

**☞ This appliance produces heat and may cause severe burns if touched**

**KEEP CHILDREN AWAY.**

### 3.3 Safety devices

**Burner safety** : If there are faults in the gas supply or in lighting, the safety device (thermocouple) will shut down the gas tap automatically.

- It is advised for safety reasons to wait 5 minutes before lighting again the appliance.
- Eliminate any cause of the safety lock.
- Wait for around 10 min and re-light the appliance in accordance with section 'Lighting'.

☞ **In case of repeated burner cut off, due to a flue blockage, it is required to check the complete flue system (flue and connecting pipe and air inlet). We recommend that you engage the services of a professional engineer for the regular maintenance requirements.**

### 3.4 Maintenance

Appliance servicing must be done once a year during summer time by a qualified engineer to avoid any problem or fault during winter-time. This person will also check safety devices.

Clean the painted components and the glass with a sponge or a chamois leather to avoid dirt becoming encrusted. Do this when the appliance is cold using a suitable proprietary cleaner. Never use abrasive products.

Annual maintenance by a specialist ensures that the appliance will operate correctly during the heating seasons.

### 3.5 Trouble shooting

#### **The gas pilot will not ignite or stay lit ?**

Ensure the gas is turned on at the appliance and the meter/cylinder.

Depress the control knob for at least twenty seconds once the pilot is alight to ensure the operation of the safety thermocouple valve.

Ensure that the pilot injector is not obstructed or blocked and it is free from any dust or dirt.

Ensure that the thermocouple has not been damaged in

transit. This is a very delicate Electro-magnetic device. On propane, the cylinder could be empty.

#### **The pilot is not burning or performing correctly?**

Ensure the pilot flame is the correct size for the type of gas. The flame should be focused on the thermocouple probe.

The pilot flame will have been set correctly in the factory.

#### **The Main Burner does not seem to be burning correctly ?**

Ensure adequate gas pressure to the appliance. Test pressure by releasing the pressure test screw and applying a manometer. Ensure adequate volume of gas is being used. Once the fire is burning on maximum, turn off all other gas appliances in the house and calculate the fuel being burned from the gas meter.

Make sure that the burner is burning correctly. The flame should be even across the top of the burner before any coals are placed on top.

**Piezo-electric igniter** : *The spark between the electrode and the head of the pilot light is not clean ; there is no spark when the lighter is operated.*

- Check the contact of the high tension cable of the spark plug. When the end of the cable is held at about 3 mm from the end of the spark plug, a spark should be produced when the piezo-elertric igniter is operated.

- Check that the insulation of the spark plug is not cracked, and replaoe the spark plug if necessary.

**The thermocouple** : *When the unit is started up, the pilot light flame goes out when the handle is turned from the "ignite" position to the "pilot light" position.*

#### **• The thermocouple is not at a high enough temperature, the pilot light flame is too short.**

- Check that the injector (rep. , fig. 6, p. 14) is not partially blocked.

To gain access to the injector, the coals and the burner must first be dismantled (3 screws).

#### **• Bad contact at the connection of the thermocouple to the valve.**

- Check the tightness of the screw. It should be reasonably tight.

#### **• Carbon deposit on the end of the thermocouple, which reduces temperature transmission.**

Clean the end of the thermocouple with emery paper.

## 4. Spare parts

### Liste des pièces de rechange

So certain parts of your stove must be replaced, use only parts manufactured by Franco Belge.

When ordering spare parts, specify the stove type and serial number, including the colour index (on the guarantee or identification plate), the name of the part and the part number.

Example : Stove "Belfort", ref. 154 05 16, Top plate 352136 MK.

A = 154 05 16 Y

B = 154 05 16 J

C = 154 05 16 C

D = 154 05 16 I

E = 154 05 16 P

| N° | Codes     | Description            | Type | A | B | C | D | E | Qty |
|----|-----------|------------------------|------|---|---|---|---|---|-----|
| 1  | 303718 MK | Blanking plate         |      |   |   | X |   |   | 01  |
| 1  | 303718 MP | Blanking plate         |      |   |   |   | X |   | 01  |
| 1  | 303718 RH | Blanking plate         |      |   |   |   |   | X | 01  |
| 1  | 303718 EF | Blanking plate         |      | X |   |   |   |   | 01  |
| 1  | 303718 79 | Blanking plate         |      |   | X |   |   |   | 01  |
| 2  | 352136 MK | Top plate              |      |   |   | X |   |   | 01  |
| 2  | 352136 MP | Top plate              |      |   |   |   | X |   | 01  |
| 2  | 352136 RH | Top plate              |      |   |   |   |   | X | 01  |
| 2  | 352136 EF | Top plate              |      | X |   |   |   |   | 01  |
| 2  | 352136 79 | Top plate              |      |   | X |   |   |   | 01  |
| 3  | 327801 00 | Clamp                  |      | X | X | X | X | X | 01  |
| 4  | 303860 MK | Flue collar            |      |   |   | X |   |   | 01  |
| 4  | 303860 MP | Flue collar            |      |   |   |   | X |   | 01  |
| 4  | 303860 RH | Flue collar            |      |   |   |   |   | X | 01  |
| 4  | 303860 EF | Flue collar            |      | X |   |   |   |   | 01  |
| 4  | 303860 79 | Flue collar            |      |   | X |   |   |   | 01  |
| 5  | 306281 EF | Back wall              |      | X | X | X | X | X | 01  |
| 6  | 243505 00 | Supplementary diverter |      | X | X | X | X | X | 01  |
| 7  | 243404 00 | Draught diverter       |      | X | X | X | X | X | 01  |
| 8  | 110404    | Hinge pin              | 6X30 | X | X | X | X | X | 02  |
| 9  | 309886 MK | Front plate            |      |   |   | X |   |   | 01  |
| 9  | 309886 MP | Front plate            |      |   |   |   | X |   | 01  |
| 9  | 309886 RH | Front plate            |      |   |   |   |   | X | 01  |
| 9  | 309886 EF | Front plate            |      | X |   |   |   |   | 01  |
| 9  | 309886 79 | Front plate            |      |   | X |   |   |   | 01  |
| 10 | 134258    | Bushing                |      | X | X | X | X | X | 01  |
| 11 | 310823 MK | L. side panel          |      |   |   | X |   |   | 01  |
| 11 | 310823 MP | L. side panel          |      |   |   |   | X |   | 01  |
| 11 | 310823 RH | L. side panel          |      |   |   |   |   | X | 01  |
| 11 | 310823 EF | L. side panel          |      | X |   |   |   |   | 01  |
| 11 | 310823 79 | L. side panel          |      |   | X |   |   |   | 01  |
| 12 | 310737 MK | R. side panel          |      |   |   | X |   |   | 01  |
| 12 | 310737 MP | R. side panel          |      |   |   |   | X |   | 01  |
| 12 | 310737 RH | R. side panel          |      |   |   |   |   | X | 01  |
| 12 | 310737 EF | R. side panel          |      | X |   |   |   |   | 01  |
| 12 | 310737 79 | R. side panel          |      |   | X |   |   |   | 01  |
| 13 | 259015 00 | Fixing plate           |      | X | X | X | X | X | 04  |
| 14 | 300118 MK | Leg                    |      |   |   | X |   |   | 04  |
| 14 | 300118 MP | Leg                    |      |   |   |   | X |   | 04  |
| 14 | 300118 RH | Leg                    |      |   |   |   |   | X | 04  |
| 14 | 300118 EF | Leg                    |      | X |   |   |   |   | 04  |
| 14 | 300118 79 | Leg                    |      |   | X |   |   |   | 04  |
| 15 | 188798    | Glass                  |      | X | X | X | X | X | 01  |

| N° | Codes     | Description               | Type      | A | B | C | D | E | Qty    |
|----|-----------|---------------------------|-----------|---|---|---|---|---|--------|
| 16 | 307440 EF | Fuel retainer             |           | X | X | X | X | X | 01     |
| 17 | 300480 00 | Base                      |           | X | X | X | X | X | 01     |
| 18 | 124412    | Strut                     | M8X45     | X | X | X | X | X | 01     |
| 19 | 276007 00 | Descriptive plate         |           | X | X | X | X | X | 01     |
| 20 | 122204    | Union nut                 | M8        | X | X | X | X | X | 01     |
| 21 | 309997 MK | Main door                 |           |   |   | X |   |   | 01     |
| 21 | 309997 MP | Main door                 |           |   |   |   | X |   | 01     |
| 21 | 309997 RH | Main door                 |           |   |   |   |   | X | 01     |
| 21 | 309997 EF | Main door                 |           | X |   |   |   |   | 01     |
| 21 | 309997 79 | Main door                 |           |   | X |   |   |   | 01     |
| 22 | 189825    | Screw                     | M5X6      | X | X | X | X | X | 01     |
| 23 | 301541 MK | Door lock                 |           |   |   | X |   |   | 01     |
| 23 | 301541 MP | Door lock                 |           |   |   |   | X |   | 01     |
| 23 | 301541 RH | Door lock                 |           |   |   |   |   | X | 01     |
| 23 | 301541 EF | Door lock                 |           | X |   |   |   |   | 01     |
| 23 | 301541 79 | Door lock                 |           |   | X |   |   |   | 01     |
| 24 | 100917    | Cam pin                   |           | X | X | X | X | X | 01     |
| 25 | 189849    | Screw                     | M 6X16    | X | X | X | X | X | 01     |
| 26 | 327902 MK | Ash pan guide             |           |   |   | X |   |   | 01     |
| 26 | 327902 MP | Ash pan guide             |           |   |   |   | X |   | 01     |
| 26 | 327902 RH | Ash pan guide             |           |   |   |   |   | X | 01     |
| 26 | 327902 EF | Ash pan guide             |           | X |   |   |   |   | 01     |
| 26 | 327902 79 | Ash pan guide             |           |   | X |   |   |   | 01     |
| 27 | 189713    | Screw                     | H M8X30   | X | X | X | X | X | 01     |
| 28 | 181632    | Rope                      | DIAM 6    | X | X | X | X | X | 0,90 m |
| 29 | 181602    | Ceramic rope              | DIAM. 8   | X | X | X | X | X | 1 m    |
| 30 | 181614    | Ceramic rope              | DIAM. 9,5 | X | X | X | X | X | 1,42 m |
| 31 | 105006    | Rope                      | DIAM. 15  | X | X | X | X | X | 1,35 m |
| 32 | 181617    | Rope                      | 15X2      | X | X | X | X | X | 1,63 m |
| 33 | 105538    | Burner GP                 |           | X | X | X | X | X | 01     |
| 34 | 142881    | Gasket                    |           | X | X | X | X | X | 04     |
| 35 | 109727    | Moulded coal              |           | X | X | X | X | X | 01     |
| 36 | 109728    | Triangle coal             |           | X | X | X | X | X | 01     |
| 37 | 149983    | Coal matrix               |           | X | X | X | X | X | 01     |
| 38 | 105291    | Small curved log (left)   |           | X | X | X | X | X | 01     |
| 39 | 105292    | Small curved log (center) |           | X | X | X | X | X | 01     |
| 40 | 105293    | Small curved log (right)  |           | X | X | X | X | X | 01     |
| 41 | 105294    | Curved branch log         |           | X | X | X | X | X | 01     |
| 42 | 174042    | Bag of embers             |           | X | X | X | X | X | 01     |
| 43 | 106039    | Block gas                 | GV 34     | X | X | X | X | X | 01     |
| 44 | 188320    | Pilot LPG                 |           | X | X | X | X | X | 01     |
| 45 | 139596    | Injector LPG              |           | X | X | X | X | X | 01     |
| 46 | 142883    | Gasket                    |           | X | X | X | X | X | 01     |
| 47 | 72813     | Coals kit                 |           | X | X | X | X | X | 01     |
| 48 | 72814     | Logs kit                  |           | X | X | X | X | X | 01     |

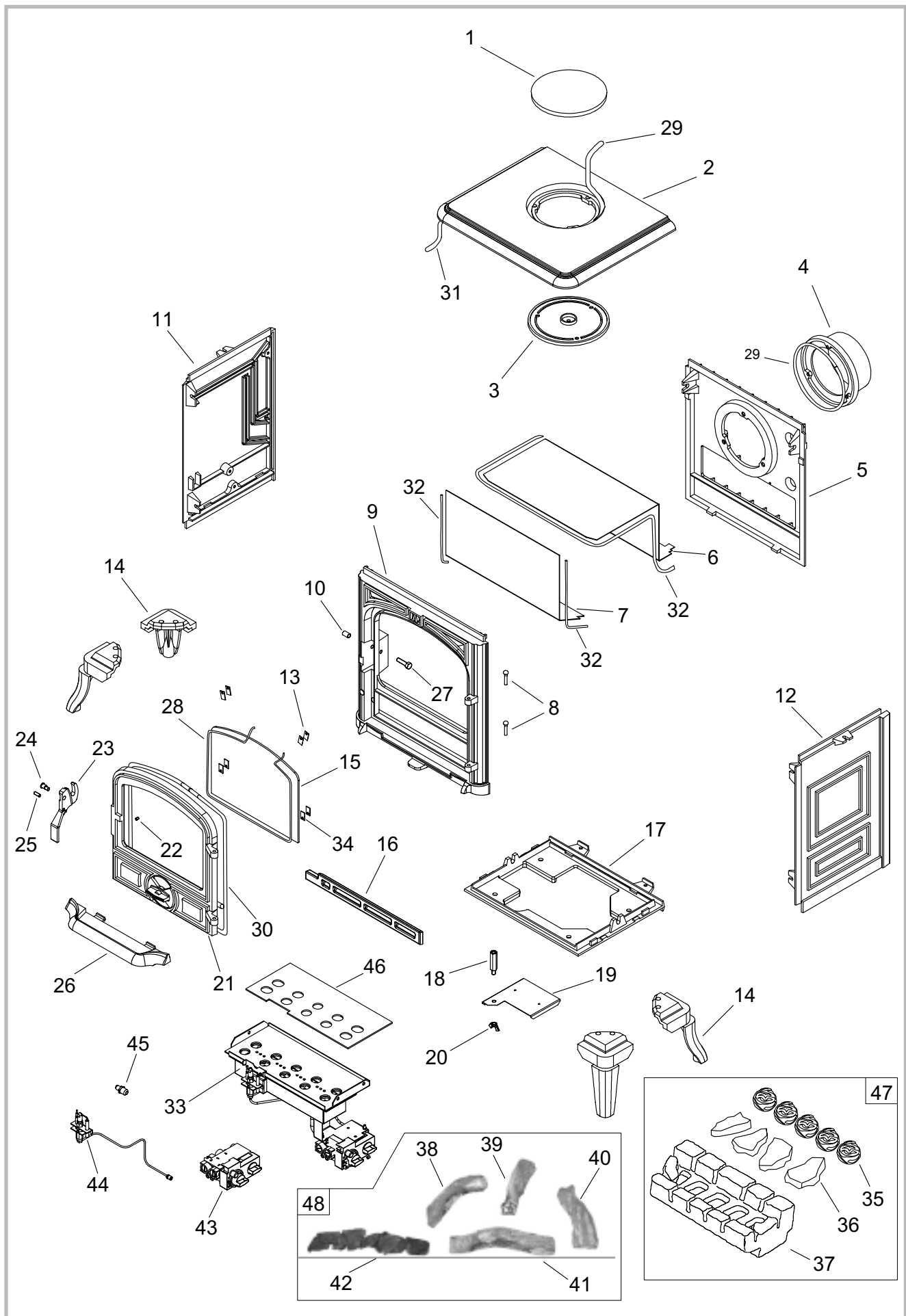
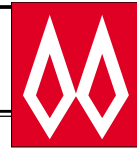
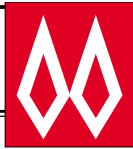


Figure 6 - Spare parts view





## Guarantee certificate

### Legal guarantee

The specifications, dimensions and information shown on our documents are provided for information purposes only and under no circumstances are binding upon the vendor.

With the aim of constantly improving our equipment, all modifications considered as necessary by our departments may be made without notice.

The provisions of the present guarantee certificate are not excluding or limiting the owner of the equipment's rights, concerning the legal guarantee regarding faults or hidden vices which applies in all circumstances, in the conditions detailed in articles 1641 and following of the civil code, and in the country in which the equipment was purchased.

### Contractual guarantee

Our equipment is guaranteed against faults and hidden vices subject to the following conditions:

- 1) Installation and adjustment of the device by a professional installer.
- 2) Observance of the instructions provided in our technical documents and our installation/adjustment instructions.
- 3) The installation, use and maintenance of the device carried out in conformity with the applicable standards and legislation, and with the indications provided in the technical instructions accompanying the device.

This guarantee covers the replacement, in our factory, of parts recognised as being defective from the outset by our "Guarantee Inspection" Department. Carriage and labour is at the user's cost. Moreover, if the repair or

replacement of parts covered by the guarantee is found to be too costly vis-a-vis the price of the appliance, the decision to replace or repair the appliance will be taken by the vendor.

Our guarantee is for 2 (two) years for all appliances, with the exception of closed combustion fireplace and inserts for which our guarantee is 5 (five) years excluding the following:

- 1) Indicator lights, fuses, electrical elements and fans.
- 2) Parts subject to wear or in contact with high temperatures namely: soles and burner grills, bottom plates baffles, ash pans, paintwork and surface treatments for decorative parts. Also excluded from this guarantee are seals and windows.
- 3) Any damage which may result from the use of the appliance with a fuel other than that stipulated in our instructions.
- 4) Damage occurring to parts caused by elements outside the appliance (down draught, storm damage, damp, abnormal pressure or vacuum, heat shocks, etc.).
- 5) Damage to electrical parts caused by plugging in and using the appliance on a mains system, the voltage of which (measured at the entrance to the appliance) is 10% above or below the nominal voltage of 220 V.

### Exclusion of liability

In the case of a product manufactured at the client's request, under no circumstances may we, as a subcontractor, be considered liable vis-a-vis the client or third parties for defects arising from the installation or a design fault with the item in question.

|                                                                                                                                                                                |                                                                                                                                        |
|--------------------------------------------------------------------------------------------------------------------------------------------------------------------------------|----------------------------------------------------------------------------------------------------------------------------------------|
| <input type="checkbox"/>                                                                                                                                                       | Name and address of the installer : _____<br>_____                                                                                     |
|                                                                                                                                                                                | Telephone : _____                                                                                                                      |
| <input type="checkbox"/>                                                                                                                                                       | Name and address of the customer : _____<br>_____                                                                                      |
| Date of installation :                                                                                                                                                         | ___ / ___ / _____                                                                                                                      |
| Model of the appliance :                                                                                                                                                       | <input checked="" type="checkbox"/> 154 05 16                                                                                          |
| Color :                                                                                                                                                                        | <input type="checkbox"/> Y <input type="checkbox"/> J <input type="checkbox"/> C <input type="checkbox"/> I <input type="checkbox"/> P |
| Serial number :                                                                                                                                                                | _____                                                                                                                                  |
| <p>• This certificate has to be completed and kept carefully.<br/>In case of claims, send a copy of this to :</p> <p><b>STAUB FONDERIE, BP 73, 59660 MERVILLE, FRANCE.</b></p> |                                                                                                                                        |