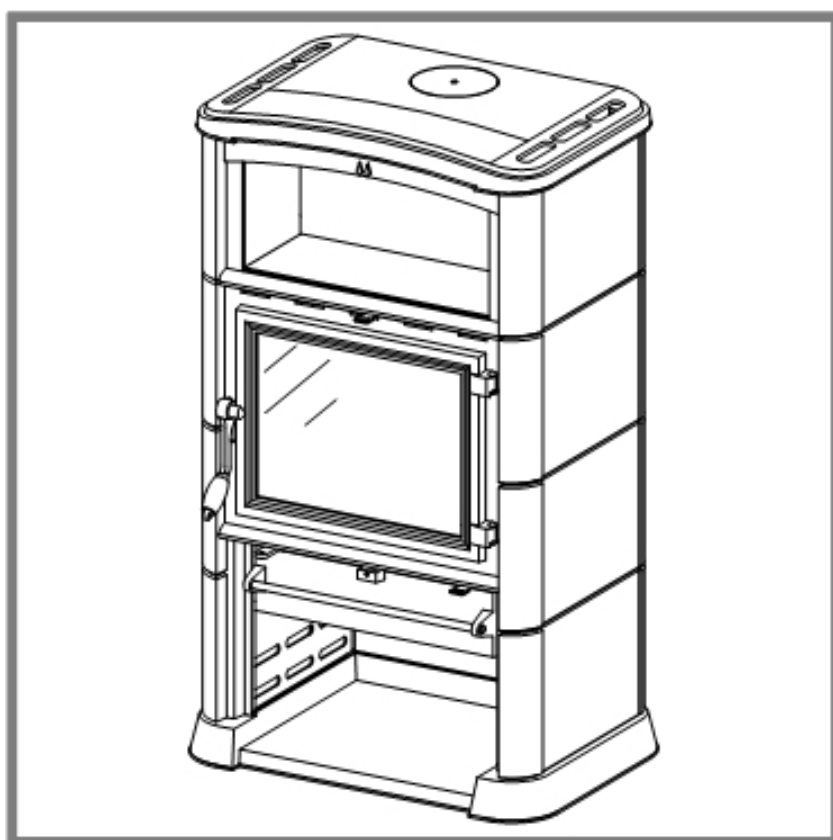

Le Beffroi

Wood stove

Model : 134 08 01

Output : 8 kW

C G B f D - N F D 35-376



Product information p. 3
Installation instructions	. p. 5
Instructions for user	. p. 8
Spare parts p. 10

Document 879-2GB ~ 03/12/1997

F

GB

Technical manual

to be saved
by the user
for future
reference



FRANCO BELGE

Les Fonderies Franco-Belges
F 59660 MERVILLE

Téléphone : 03.28.43.43.43

Fax : 03.28.43.43.99

RC Hazebrouck 445750565B

Matériel sujet à modifications sans préavis
Document non contractuel.

Contents

Product information	. P. 3
Package P. 3
General Characteristics	. P. 3
Description P. 3
Principle of operation	. P. 3
Installation instructions .	. P. 5
Top Flue	. P. 5
Rear Flue	. P. 5
Door closing pressure	. P. 5
Montage de l'habillage P. 6
Montage des côtés	. P. 6
Montage du dessus	. P. 6
Pre-utilisation check	. P. 6
Chimney maintenance and sweeping	. P. 6
Instructions for user .	. P. 8
Lighting . .	. P. 8
Re-fuelling	. P. 8
De-ashing	. P. 8
Maintenance of the stove body	. P. 9
Spare parts	P. 10

1. Product information

1.1. Package

- 1 stove
- 1 casing
- natural stone 72554
- enamelled panels 72553.

1.2. General specifications

Model		134.08.01
Maximum output	kW	8
Draught requirement . . .	Pa	10
Firebox dimensions		
- width .	mm	405
- depth . .	mm	273
- usable height	mm	350
Max. log size	cm	40
Ash pan capacity . . .	litre	4
Net weight	kg	138
Autonomy h	10

1.3. Description

Stove, **C G B f D** - NF D 35-376

C : **Continuous**-burning heating appliance.

G : Wood burnt on **grate**

B : **Wood** burning stove

f : **Enclosed** combustion chamber with cast iron walls.

D : Free standing stove.

- Detachable flue spigot for rear or top chimney connection.
- Front loading door fitted with large refractory glass panel.
- Adjustable air controls for controlling the burning rate. •
- Large ash-pan.
- Side enamelled or natural stone panels.

1.4. Principe de fonctionnement

< Le Beffroi > is designed for operation with the door closed.

Heat is mainly diffused by radiation through the window and by hot air diffusion around the body of the appliance.

Combustion occurs on the grate, with draught entry through the top of the combustion chamber. q

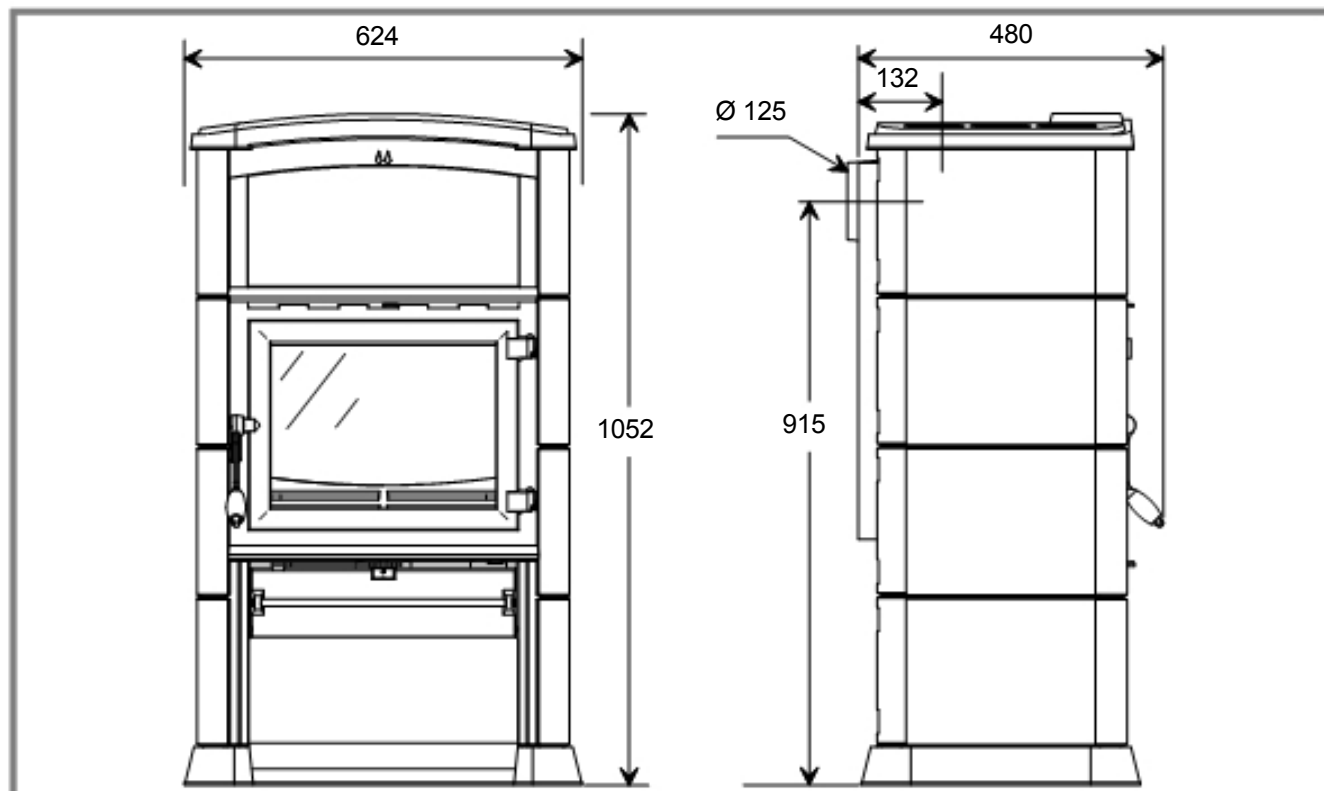


Figure 1 - Dimensions in mm

Warning to the user

A wood stove should only be installed by competent personnel, in the strict application of normal practices and all safety precautions.

An incorrectly installed wood stove can cause serious accidents (chimney fires, burning of plastic insulation materials, in partition walls, etc.).

The manufacturer's responsibility shall be limited to the supply of the equipment.

General installation instructions

The room

Ventilation :

For satisfactory operation with a natural draught, check that sufficient air for combustion is available in the room.

Chimney position :

For new chimney installations, select a central position within the building, to provide a good heat distribution around the building.

Hearth :

The hearth must be suitable for use with solid fuel burning appliances and must comply with Current Building Regulations. If in doubt, consult your Dealer or local Building Inspector.

Rear wall and ceiling :

The appliance must not be positioned close to combustible materials, wall & ceiling surfaces etc., Consult your Dealer or local Building Inspector if in doubt.

Flue :

Existing flue :

- The flue must be in good condition and must provide sufficient draught.
- The flue must be suitable for the installation of solid fuel burning appliances and comply with Current Building Regulations.
- The flue must be clean. It should be swept to remove soot and dislodge tar deposits.

- The flue must be well insulated. If the flue inner wall surfaces are cold, a good thermal draw is impossible causing condensation problems (tar formation etc).

- The flue must not be shared with other appliances. -
The recommended minimum flue height is 5 metres. -
If the chimney has any down draught tendency, due to its position in relation to nearby obstacles, an anti-down draught cowl must be installed on the chimney or the chimney height must be increased.

- If the decompression in the chimney is excessive, a draught stabiliser must be installed.

Chimney to be built / Flue non-existent :

- The stove must not support the weight of the flue. -
Consult a chimney specialist for advice on suitable flue systems for solid fuel appliances.

Connection to flue :

- The stove must be installed as close as possible to the chimney.

- The stove should be connected to the flue by a smoke pipe, approved for installation with combustion products (e.g. 360 stainless steel 1 mm thick or vitreous enamel.).

- Pipe diameter must not be less than the appliance spigot diameter.

- The connection can be either vertical or horizontal. For horizontal connections, avoid right angle bends.

- The join between the connection pipe and the stove-pipe, and the flue, must be leak tight.

- The connection pipe and any draught stabiliser must have access for cleaning. q

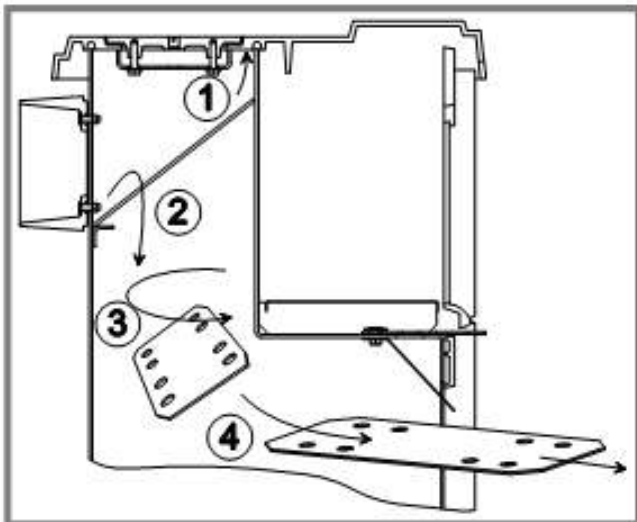


Figure 3 - Removing the flue baffle

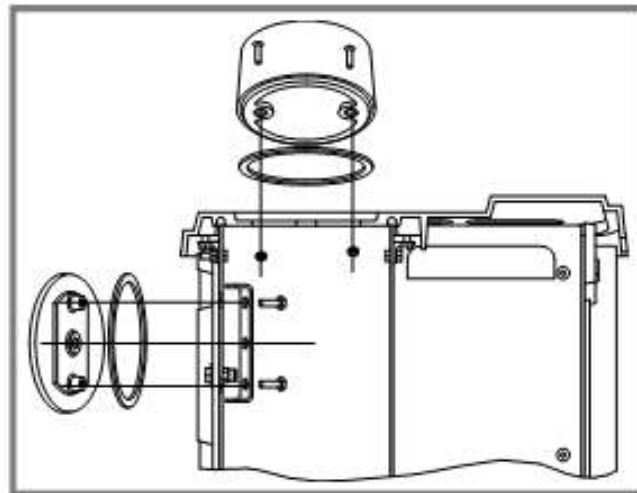


Figure 5 - Smoke exit on the top

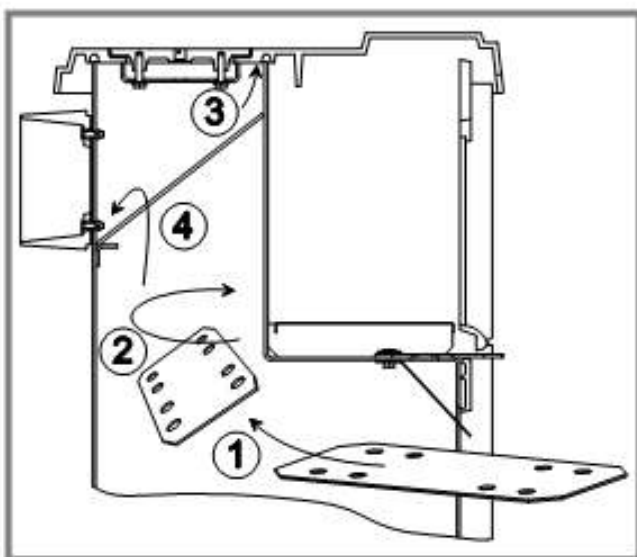


Figure 4 - Mounting the flue baffle

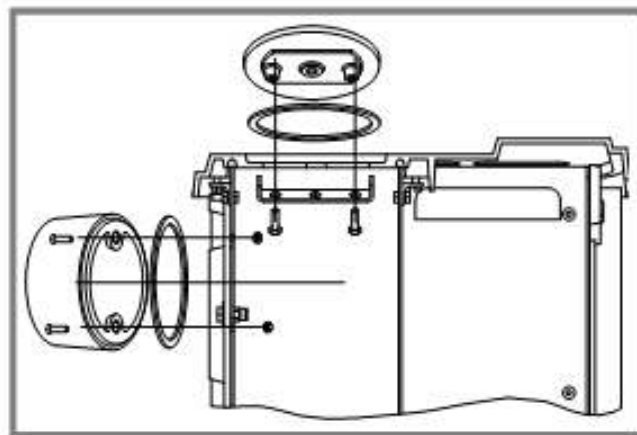


Figure 6 - Smoke exit at rear

2. Installation instructions

2.1. Smoke exit on the top

- ✦ Remove the rear shield and the internal baffle (fig. 3).
- ✦ Fit the blanking plate and the support on the back wall, ensuring there is a good seal. (fig. 5).
- ✦ Fit the sealing rope in the groove and attach the flue spigot on the top using the two bolts and washers supplied, ensuring there is a good seal.
- ✦ Replace the internal baffle. (fig. 4).

2.2. Smoke exit at rear

- ✦ Remove the rear shield and the internal baffle (fig. 3).
- ✦ Fit the blanking plate and the support on the top, ensuring there is a good seal. (fig. 6).
- ✦ Fix the sealing rope in the groove on the rear and fit the flue spigot using the two bolts and washers supplied, ensuring there is a good seal.
- ✦ Replace the internal baffle. (fig. 4).

2.3. Door closing pressure

The closing latch rotates around a pressure screw positioned cam. (fig. 7).

- Loosen pressure screw 1,
- Turn cam 2 to desired position,
- Tighten pressure screw 1.

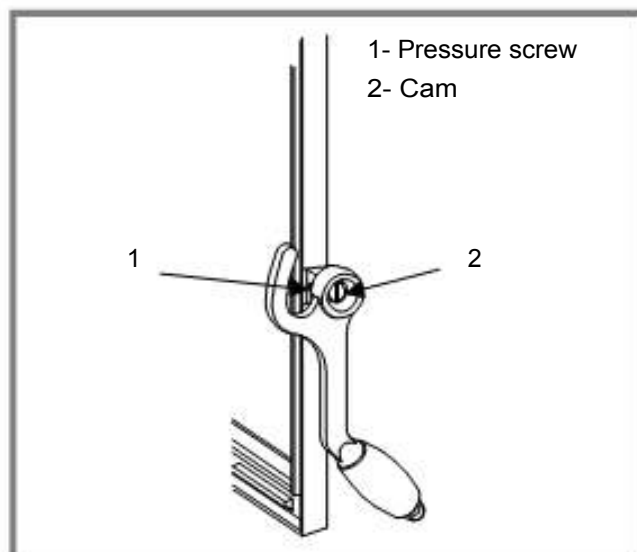


Figure 7 - Door closing pressure

2.4. Casing assembly

Natural stone : As the stones are easily stained it is recommended to wear gloves during handling.

2.4.1. Side panels assembly

- Remove the rear shield (fig. 8, # 1).
- Remove the rear cast iron corner (# 2).
- Position one side at a time (# 3), re-fit the corner without blocking it. Adjust properly the location of the panel prior to blocking the rear corner.
- Re-position the rear heat shield (# 1).

2.4.2. Top panel assembly

Natural stone

- You must glue, underneath the stone, the ceramic rope which is supplied. This is to allow the primary air control mechanism to work properly (fig. 9).

Enamelled panel

- The top neckline must be towards the back (fig. 9).

2.5. Pre-utilisation check

Check the condition of the filler seals, that the door closes correctly, that the window is not damaged, that the smoke passages are not obstructed by packaging or removable parts.. All removable parts, fuel retainer, baffle (fig. 4), must be correctly installed.

2.6. Chimney maintenance and sweeping

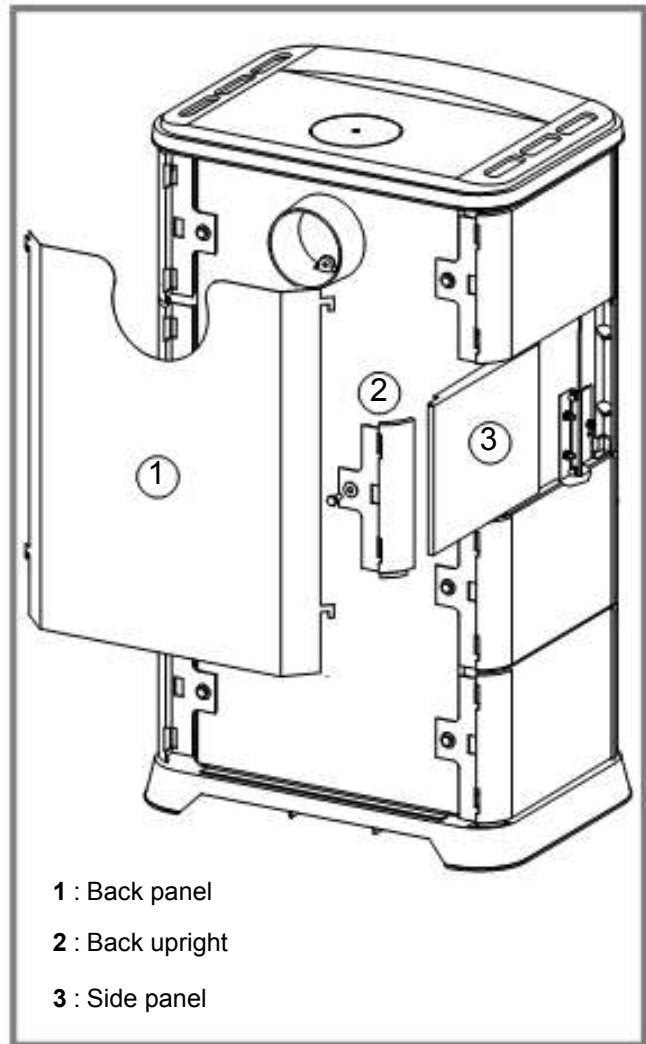


Figure 8 -Mounting the side panels

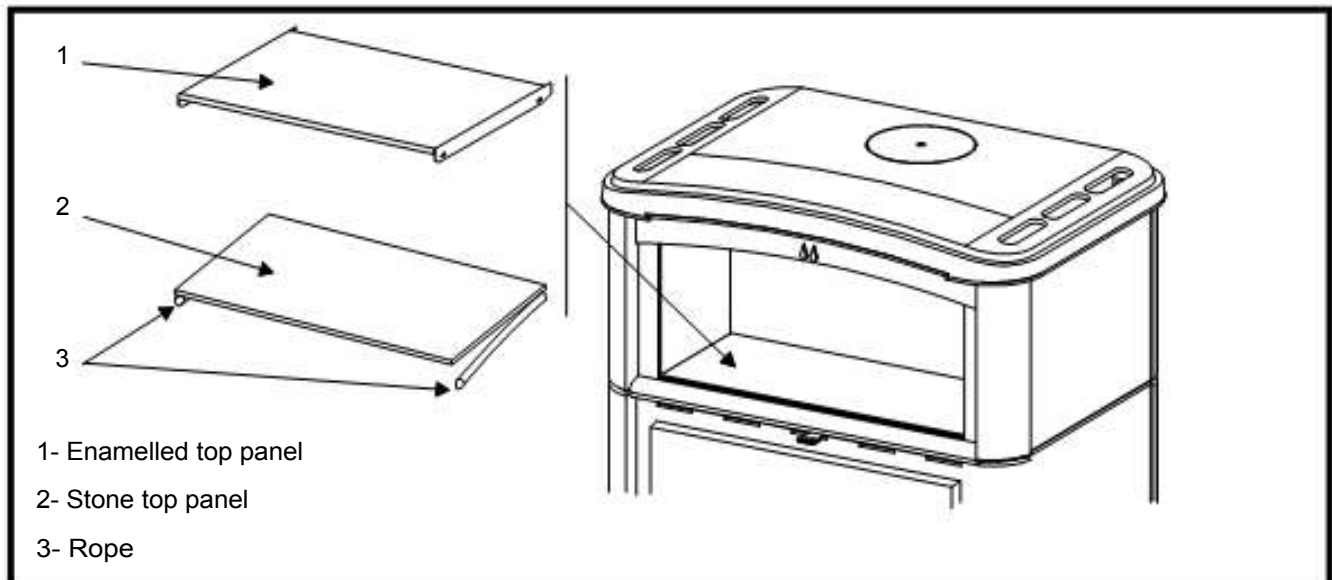


Figure 9 - Mounting the top panel

Very important : To avoid accidents (chimney fire, etc.), regular maintenance should be carried out. If the stove is regularly used, the chimney should be swept several times per year, together with the stovepipe connection section.

- Before doing so the flue baffle needs to be removed and cleaned.

Chimney condition should be checked at least once per year.

Notes

GB

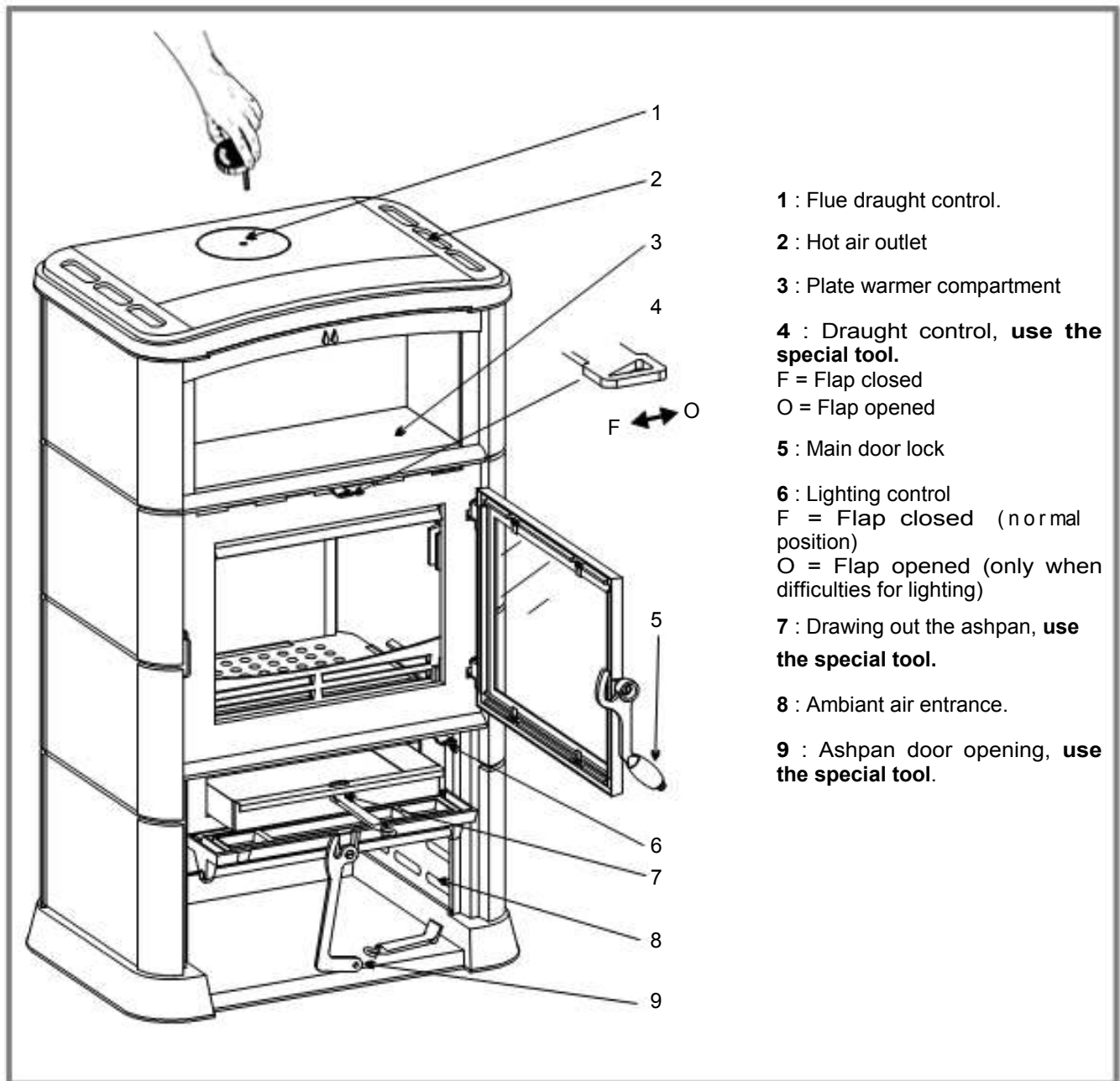


Figure 10 - Operating devices

3. Instructions for user

3.1. Lighting

- Slide the top air control (fig. 10, # 4) to the right.
- Lay firelighters or rolled up newspapers on the grate with a reasonable quantity of dry kindling wood. Place 2 or 3 small logs on top.
- Light the newspaper or firelighters using a long taper and close the door.
- When the fire is burning fiercely, add further logs of a diameter up to 10 cms.
- The burning rate can now be adjusted by moving the top air control to the left. (# 4). Experience will show you which settings are best for your situation.

Note : When the fire is lit for the first time, the stove may give off fumes from the new paint. This is normal but ensure the room is well ventilated during the first few hours of operation.

3.2. Re-fuelling

It is advisable to wait for the fire to be reduced to hot embers before re-loading. The door should also be opened slowly when re-loading.

3.3. De-ashing

- ▣ Open the main door and shake the live coal with the poker.
- ▣ Riddle and de-ash before refuelling and every time grates become congested. Keep fire bed and air inlet free from ash.
- ▣ Ashes must be removed at least once every other day and not allowed to build up so as to be in contact with the underside of the grate. If this happens, premature wear on the grate will occur.
- ▣ Allow stove to cool down before attempting to empty the ash pan.

- Open the ashpan door with the tool supplied (# 9) and tilt it over gently.
- Pick up the ash pan with the hand tool. (# 6). - When emptying the ashpan you must ensure that no embers are left. Ashes must be cold.

3.4. Maintenance of the stove body

- ▣ The stove must be regularly cleaned.
- ▣ Open the main door and remove all deposits from the combustion chamber and clean the grate area.
- ▣ The vitro ceramic glass can only be cleaned using a soft cloth and stove glass cleaner, available from your Franco Belge Dealer. DO NOT USE ABRASIVES.
- ▣ The vitro ceramic glass resists a temperature of 750°C. If the glass should be broken, it is recommended that only an original factory replacement should be fitted.
- ▣ **Enamelled body panels** : For enamelled finishes, the stove body can be cleaned using a soft cloth either dry, or slightly damp with a very mild detergent.

NEVER CLEAN ENAMEL SURFACES WHILST THE STOVE IS HOT

- ▣ Natural stone casing : Remove the dust with a gentle brush. Do not use grease-based cleaning product. If necessary mild soapy water can be used. To keep its mat finish you must not over-rub the stone.

Fuel

Recommended fuel : Wood

- Use hard wood logs, which have been cut for at least two years and stored, under shelter.
- Hardwood has a higher calorific value per cu metre (oak, ash, maple, birch, elm, beech, etc.).
- Large logs must be split and cut to a usable length, before being stored in a sheltered and ventilated place.

Not recommended as fuel :

- "green wood". Green or damp wood reduces stove efficiency and soils the glass, the internal walls and the flue (soot, tar, etc.).
- "used timbers". Burning treated wood (railway sleepers, telegraph poles, offcuts of plywood or chip board, pallets, etc.) quickly clogs the flue ways (soot, tar, etc.), pollutes the environment (pollution and smell, etc.) and cause the fire to burn too quickly and overheat.

"Green wood" and "recovered wood" can eventually cause a chimney fire.

Prohibited fuel : Any form of bituminous coal or petroleum based coke.

Trouble Shooting

Problem	Probable causes	Corrective action
Fire difficult to start Fire goes out	Wood green, too damp or poor quality	-Use the recommended fuel
	Logs are too big	-To light the fire, use small, very dry twigs. To maintain the fire, use split logs
	Air starvation	- Open lower spin wheel and top air control lever
	Insufficient draught	- Check that the flue is not obstructed, sweep it if necessary - Seek advice from a chimney specialist
Fire burns too quickly	Too much draught	- Ensure that the lower spin wheel is closed - Partially close the top air control lever
	Excessive draw	- Install a draught stabiliser. Consult your Dealer
	Poor quality wood	- Do not continuously burn small wood, sticks, bundles, carpentry offcuts (plywood, pallets), etc.
Smokes when lighting up	Flue duct is cold	Burn paper and kindling wood to increase heat
	Room is in decompression	- In houses equipped with mechanical ventilation, partly open a window until the fire is well established
Smokes while burning	Draught is insufficient	- Consult a chimney specialist. - Check that the flue is not obstructed, sweep if necessary
	Down draught	- Install an anti-down draught cowl. Consult your Dealer.
	Room is in decompression	- In houses equipped with CMV, an outside air intake must be installed for the chimney
Low heat output	Incorrect Fuels	- Use the recommended fuel

Note : With time the stone's aspect may change. This is normal and should not be considered as a defect but rather as a patina of the enamel which does not affect its quality or its service ability.

⊗ The cast iron body panels can be cleaned with a proprietary stove cleaner or re-sprayed / touched up using a stove paint. These products are available from your Franco Belge Dealer. q

4. Spare parts

When ordering spare parts, specify **the stove type** and **serial number**, including the colour index (on the guarantee or identification plate), the name of the part and **the part number**.

Example : "Le Beffroi" wood stove, Ref.: 134.08.01, colour ref.: G, top 352140.

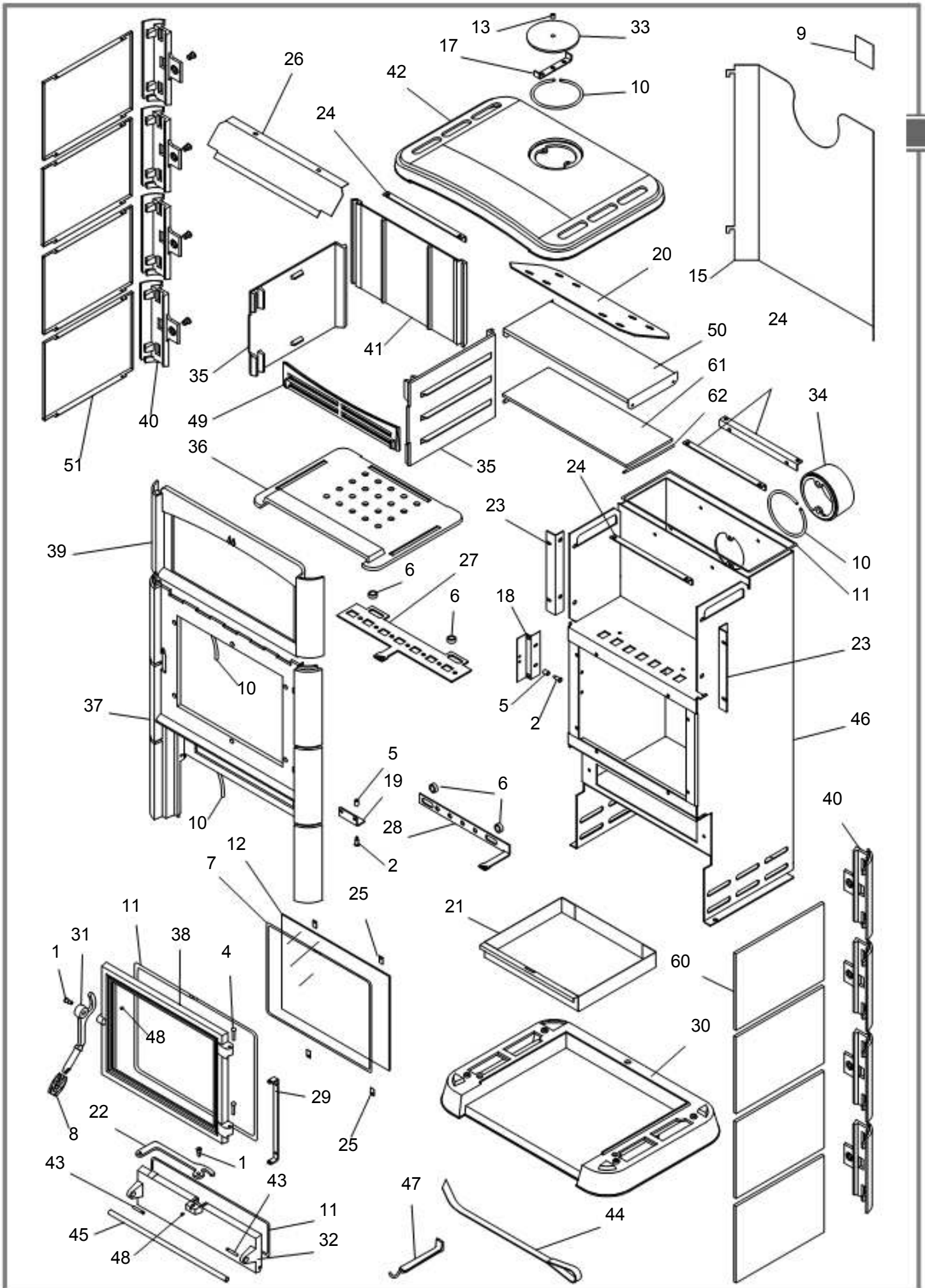
Enamelled panels

50	202111 QJ	Top plate shield	01
51	207872 QJ	R. side panel	08

Freestone panels

60	157362	Freestone	01
61	157363	Freestone	08
62	181607	Ceramic rope	0,3 m

N°	Code	Description type	. Qty
1	100917	Cam pin	12x20 M7	.02
2	100951	Axle		.02
3	104827	Plug		.02
4	110404	Hinge pin	6X30 . .	.02
5	134253	Bushing		.02
6	134257	Bushing		.04
7	142316	Gasket . . .	7x3	1,39 m
8	149087	Handle01
9	162411	Descriptive plate		.01
10	181606	Ceramic rope	10 x 4	2,00 m
11	181607	Ceramic rope	. Ø 9,5.	3,50 m
12	188806	Ceramic glass . .	375x280x4	.01
13	189118	Screw	Ø 10	.01
15	205372	Back panel		.01
17	210501	Clamp		.01
18	221210	Striking plate		.01
19	221211	Striking plate		.01
20	222546	Flue baffle		.01
21	224043	Ash-pan		.01
22	224303	Door lock		.01
23	230901	Square02
24	231711	Square04
25	259015	Fixing plate		.04
26	269419	Deflector .		.01
27	270406	Air control flap .		.01
28	270407	Air control flap .		.01
29	273214	Hinge		.01
30	300478	Base01
31	301539	Door lock		.01
32	303511	Ash pan door		.01
33	303726	Top plate		.01
34	303829	Flue collar		.01
35	305013	Firebrick		.02
36	309223	Wood grate		.01
37	309884	Front plate .		.01
38	309995	Main door		.01
39	313815	Supplementary panel		.01
40	327204	Upright .		.08
41	330010	Hearth plate01
42	352140	Top plate		.01
43	134705	Pin		.02
44	415504	Poker		.01
45	158624	Handle01
46	604922	Firebox shell .		.01
47	808001	Hand tool		.01
48	189825	Screw	M6x5	.02
49	307433	Fuel retainer .		.01





FRANCO BELGE



§ Warranty certificate §

§Legal warranty

Our products are guaranteed for twelve months against any defect, flaw or imperfection. During this time, all parts judged defective by our Warranty control department may be replaced in our workshops. Incidental costs of transportation and packing payable by the buyer.

Some parts or components have a longer warranty period : -

Cast-iron shell of boiler : 3 years

- Steel shell of boiler : 3 years

- Removable or independent stainless steel hot water cylinder : 5 years

- Independent enamelled steel hot water cylinder : 3 years -

Incorporated circulating pump : 2 years.

§Terms of the warranty

This warranty is only valid if :

- The unit has been installed and checked by a professional installer before operating,

- All installation and adjustment instructions listed in the technical manual supplied with the unit have been followed,

- All operation and maintenance instructions have been followed.

This warranty does not cover :

- Lamps, fuses, spark plugs, cast iron parts directly in contact with burning coal and wood, firebricks, glasses .

- Any damage resulting from the use of fuel not recommended in our instructions ;

- Parts which are damaged by external causes such as unadapted chimneys, thunderstorms, damp, faulty pressure or fail in pressure, thermic anomalies, explosions, etc...

- Electrical parts which are deteriorated by any connection or use on a supply circuit with voltage within 10% of the indicted voltage (230 V).

Material subject to modifications without prior notice. This manual does not engage the responsibility of FRANCO BELGE.

Name and address of installer : _____

Telephone : _____

Name and address of customer :

Date of installation :

____ / ____ / ____

Model of the appliance : **134.08.01**

Couleur : **q P q G**

N° de série / Serial number :

This certificate has to be completed and kept carefully.
In case of claims, send a copy of this to :

Les Fonderies Franco-Belges, rue Orphée Variscotte, 59660 MERVILLE, FRANCE.