

---

# ARDENNES

---

## Wood stove

EN 13240

**Model : 134 13 16**

Output : 11 kW



Description of the appliance

Installation instructions

Operating instructions

Spare parts

Warranty certificate



**Technical manual**

to be saved

by the user

for future reference

**FRANCO BELGE** ♦♦

"La chaleur en toute confiance"

127<sup>ième</sup> RIF,15  
BE 5660 MARIEMBOURG

Subject to modifications

FRANCO BELGE congratulates you on your choice.  
FRANCO BELGE, guarantees the quality of its appliances and is committed to meet its customers' needs.  
FRANCO BELGE, which can boast a 80-year experience in the industry of heating devices, uses state-of-the-art technologies to design and manufacture its whole range of products.  
This document contains instructions on how to install your appliance and make full use of its functions, both for your comfort and safety.

---

## CONTENTS

---

<b>Description of the unit</b> . . . . .	<b>p. 3</b>
Package . . . . .	p. 3
Specifications . . . . .	p. 3
Appliance description . . . . .	p. 3
Operating principle. . . . .	p. 3
<b>Installation instructions</b> . . . . .	<b>p. 4</b>
Warning to the user . . . . .	p. 4
Location of the unit . . . . .	p. 4
Flue . . . . .	p. 5
Mounting the flue collar . . . . .	p. 5
Mounting the tray . . . . .	p. 5
Chimney connector . . . . .	p. 5
Pre-utilisation check . . . . .	p. 6
Maintenance of the Chimney . . . . .	p. 6
<b>Instructions for user</b> . . . . .	<b>p. 7</b>
Fuel . . . . .	p. 7
Lighting . . . . .	p. 7
Operating procedure. . . . .	p. 8
De-ashing . . . . .	p. 8
Maintenance of the Chimney . . . . .	p. 8
Maintenance of the stove . . . . .	p. 8
Safety advice. . . . .	p. 8
Trouble shooting . . . . .	p. 9
<b>Spare parts</b> . . . . .	<b>p. 11</b>

---

**This appliance is meant to burn wood safely**

**WARNING**

**Incorrectly installed, this appliance can be dangerous and possibly cause serious accidents.**  
**We recommend that you engage the services of a professional engineer for its installation and the regular maintenance requirements.**

# 1 Description of the unit

## 1.1 Package

- 1 package : Stove

## 1.2 Specifications

<b>Model</b> . . . . .	<b>134 13 16</b>
- Nominal Heat Output . . . . . kW	11
Hearth dimensions (combustion chamber) :	
- Width . . . . . mm	520
- Depth . . . . . mm	304
- Height . . . . . mm	265
Logs dimensions :	
- Depth maxi . . . . . cm	50
Ash pan capacity . . . . . liter	5
Weight . . . . . kg	140
Heated volume . . . . . m <sup>3</sup>	450
Chimney draught required . . . . . Pa	11
Flue mass gas flow . . . . . g/s	13,7
Flue mean gas temperature . . . . . C°	273
Efficiency . . . . . %	73,3
Co (13% O <sub>2</sub> ) . . . . . %	0,16

**Note :** The indicated performances result from tests carried out in accordance with standard EN 13240 with logs of 35 cm and a draught of 11 Pa, fuel mass of 4,9 kg and air inlet open at 50 %.

## 1.3 Appliance description

Wood stove - in conformity with EN 13240.

- intermittent-burning heating appliance.
- Detachable flue spigot for rear or top chimney connection.
- Front loading door fitted with large refractory glass panel.
- Adjustable air control for controlling the burning rate.
- Large ash-pan.

Long lasting burning cycle : When the appliance is loaded with à 11,5 kg of dry wood (primary and secondary air inlet closed) with a 6 Pa draught, it runs for 11 hours.

## 1.4 Operating principle

The “ARDENNES” is designed for operating only with the door closed. Heat is mainly diffused by radiation, through the window and body of the appliance.

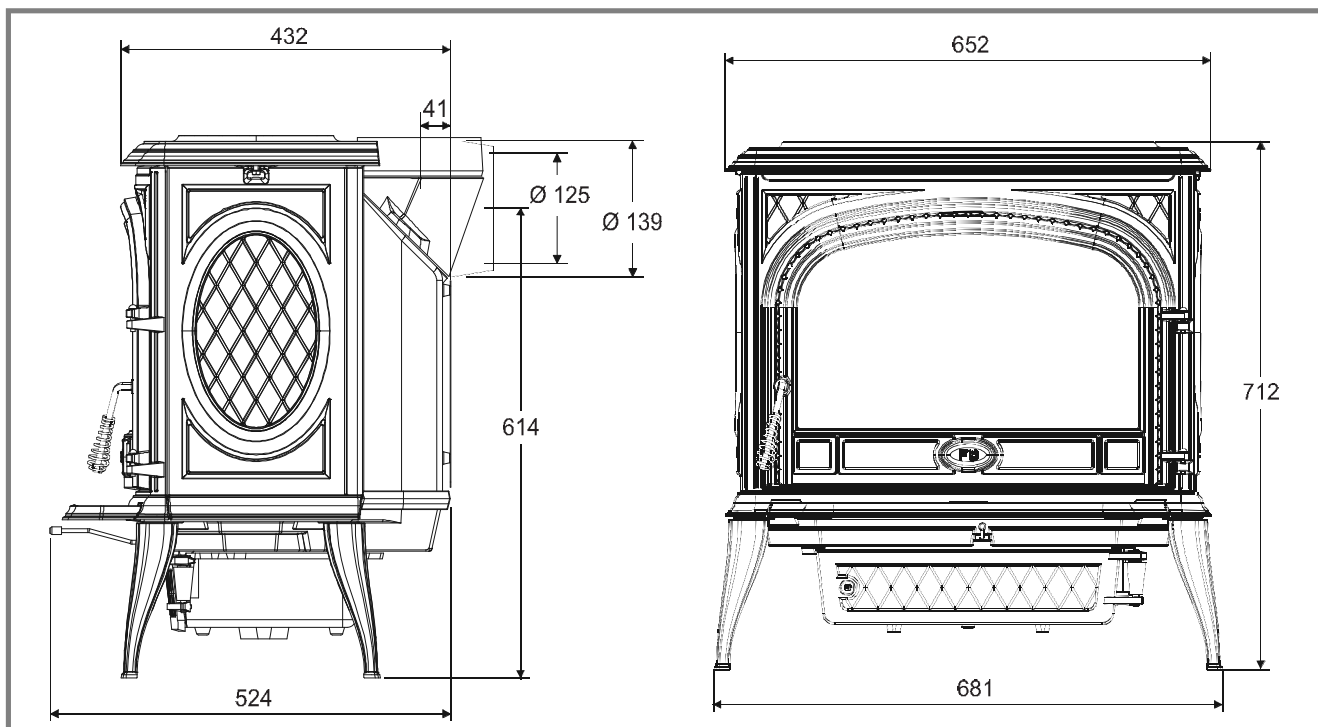


Figure 1 - Dimensions in mm

## 2 Installation instructions

### 2.1 Warning to the user

**All the local and national regulations, in particular those relating to national and European standards, must be observed when installing the appliance.**

**An incorrectly installed heating appliance can cause serious accidents** (chimney fires, burning of plastic insulation materials, in partition walls, etc...).

This stove is exempted by DEFRA for burning wood logs in UK Smoke Control Areas (SCA). DEFRA exemption is dependent upon the appliance being fitted with a mechanical stop to prevent closure of the secondary air control beyond the 25% open position. You should check that this stop mechanism is fitted before installation of the stove and certainly before using the stove in a SCA to burn wood logs. If the stop mechanism is fitted then the minimum chimney flue diameter can be 125 mm but if the stop mechanism is not fitted then the stove is not exempted and the minimum chimney flue diameter is 150 mm in accordance with Approved Document J of the building regulations.

**The insulation of both the appliance, the exhaust gas pipe has to be reinforced** and done according to the Standards and the Building Regulations for safety reasons. The installation must be carried out according to the Standards and the Building Regulations.

Failure to respect the mounting instructions leads to engage the responsibility of the one doing the installation.

The manufacturer’s responsibility shall be limited to the supply of the appliance.

### 2.2 Location of the unit

**Ventilation :** For satisfactory appliance operation with a **natural draught**, check that sufficient air for combustion is available in the room. In houses equipped with one “VMC” (controlled mechanical ventilation), this one aspire and renew the ambient air ; in this case, the residence is under slight low pressure and a **non-sealable** external air intake must be installed in addition to the chimney itself, at least 50 cm<sup>2</sup> in section.

**Position of the unit :**

For new installations, select a central position within the house, to provide a good heat distribution around the building. The heat distribution towards the other rooms will be made through the communicating doors. These rooms must be at low pressure or fitted with non-adjustable air registers, placed so that they cannot be obstructed, to encourage circulation of the hot air.

**Floor and walls :** Make sure there are not combustible or covered with combustible material. Otherwise it must necessary to install a non-combustible protection. There must be a clearance of at least 150 mm at each side of the appliance and at the back of the appliance from a non-combustible wall.

This distance must be extended to a minimum clearance of 650 mm from side wall and 700 mm from rear wall from any combustible materials. this measurement may be reduced to a minimum gap of 50 mm when the non-combustible wall is at least 200 mm thick.

There should ideally be a minimum gap of 300 mm at the right hand side of the stove, this will ensure the best possible access to the loading door. When using a single wall flue pipe, there must be a clearance (A) of at least three times its diameter (B) from any combustible materials. If the appliance has to be located in an opening, this distance must be extended to a minimum clearance (A) of 450 mm from the pipe or the stove body to any combustible materials.

**Hearth :** The appliance must stand on a fireproof hearth.

It is possible to provide a hearth made of non combustible board/sheet material or tiles at least 12 mm thick (C).

Constructional hearths should be constructed of solid non combustible material at least 125 mm thick (including the thickness of any non combustible floor under the hearth).

The hearth must protrude at least 300 mm in front of the stove and 150 mm each side.

Hearths are provided to prevent combustion appliances setting fire to the building fabric and furnishings and to limit the risk of people being accidentally burnt.

Therefore, they should be separated from adjacent combustible materials and should be satisfactorily delineated from surrounding floor finishes (carpets etc..) as follows.

Combustible material should not be placed under a constructional hearth for a solid fuel appliance within a vertical distance of 250 mm from the upper surface of the hearth, unless there is an airspace of at least 50 mm between the combustible material and the underside of the hearth.

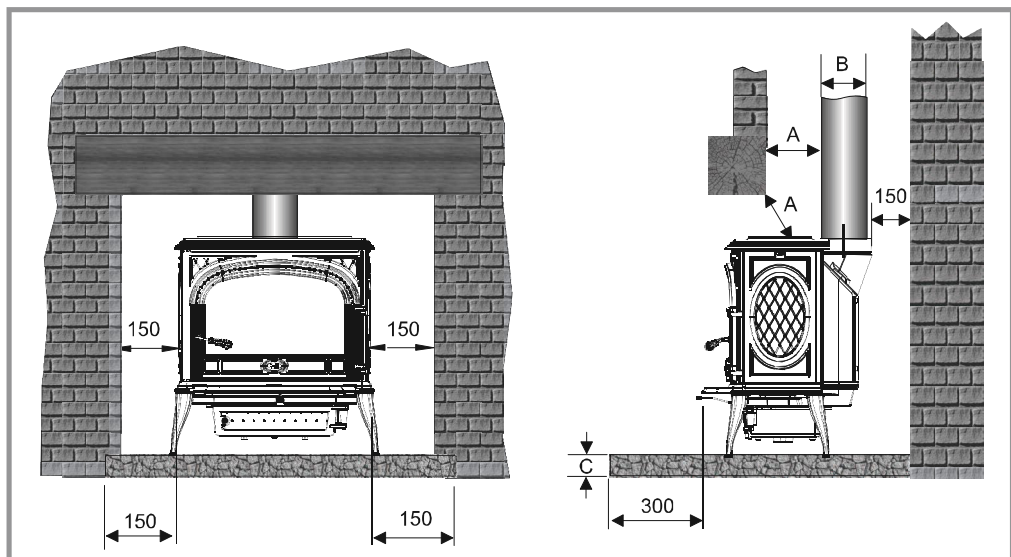


Figure 2 - Minimum clearances

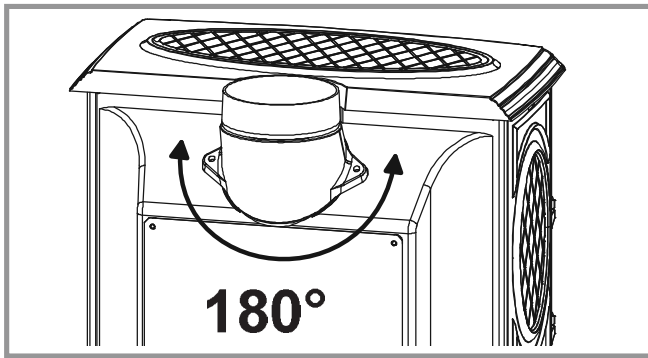


Figure 3 - Mounting the flue collar

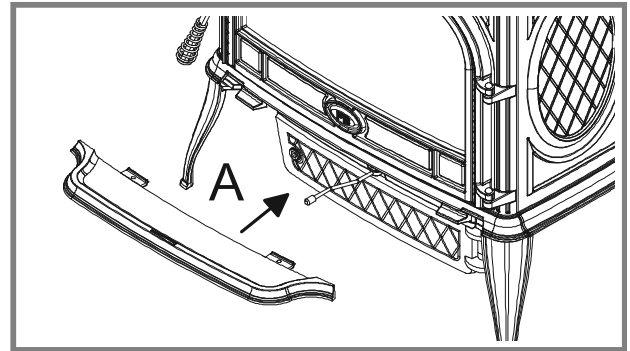


Figure 4 - Mounting the tray

Where a superimposed hearth has been placed onto a constructional hearth, combustible material placed on or beside the constructional hearth should not extend under the superimposed hearth by more than 25 mm or closer to the appliance than 150 mm.

Ensure that the hearth (superimposed or constructional) is suitably delineated to discourage combustible floor finishes from being laid too close to the appliance, by marking the edges or providing a change of level.

Position the appliance on the hearth such that combustible material cannot be laid closer to the base of the appliance than :

(a) At the front, 300 mm if the appliance is an open fire or stove which can, when opened, be operated as an open fire, or 225 mm in any other case.

(b) At the back and sides, 150 mm or in accordance with the recommendations below which relate to distance from hearth to walls. Please refer to section J of the Building regulations.

When using a single wall flue pipe, there must be a clearance (A) of at least 450 mm from any combustible materials (timber mantel, girder).

### 2.3 Flue

The flue must comply with Current Building Regulations. If in doubt, consult your Dealer or local Building Inspector.

#### Existing flue :

- The flue must be in good condition and must provide sufficient draught (refer to technical details p.3).
- The flue must be suitable for the installation of fuel burning appliances ; otherwise it must be necessary to install a tubing.
- The flue must be **clean**. It should be swept to remove soot and dislodge tar deposits.
- The flue must be well insulated. If the flue inner wall surfaces are cold, a good thermal draught is impossible causing condensation problems (tar formation etc...) to occur.
- The flue must be watertight.
- The chimney must have a constant cross section. When the cross-section of the chimney is too large, it is difficult to obtain a good draught.
- The flue must not be shared with any other appliance.
- The chimney must be at least 4.5 m (15 ft) high and be at 40 cm above the ridge of the roof and 8 meters away from any construction.
- In case of a flat roof or when the roof gradient is lower than 15°, the stack must be 1,2 m (4 feet) high at least.

- The capping must not restrain the draught.
- If the chimney has a down-draught tendency, due to its position in relation to nearby obstacles, an anti-down-draught cowl must be installed on the chimney or the chimney height must be increased.
- If the chimney draught is excessive or irregular, a draught stabilizer (barometric damper) must be installed to the connector pipe it must be visible and accessible .

#### Chimney to be built / new flue :

- The appliance must not support the weight of the flue.
- It must be distant from any combustible material (walls, cross members).
- It must permit an easy sweeping.

### 2.4 Mounting the flue collar

The stove is supplied with a connection flue spigot with an inner diameter of 125 mm and an outer diameter of 139 mm.

#### Figure 3

The same smoke outlet can be used to install a top or rear flue. All you have to do is remove the 2 screws and turn the adapter 180 degrees.

Ensure that the seal is fitted correctly.

### 2.5 Mounting the tray

To avoid damage during transport, the tray has been stored behind the main door. Centre the tray on tab A and lower into place (figure 4).

### 2.6 Chimney connector

- The connection to flue must be carried out according to local building regulations.
- The appliance must be installed as close as possible to the chimney.
- Any connection pipe must be suitable for use with solid fuel burning appliances in accordance with Approved Document J of the building regulations.
- The connecting pipe must not reduce in diameter at any point to less than the diameter of the outlet of the stove.
- The connection can be either vertical or horizontal. For horizontal connections, avoid right angle bends.
- The join between the connection pipe and the stovepipe and the flue, must be leak tight.

- For the premises equipped with a mechanical controlled ventilation, the airtightness has to prevent the exhauster drawing out the smokes from the exhaust gas pipe.
- The connection pipe and any draught stabiliser must have access for cleaning.

## 2.7 Pre-utilisation check

- Check that the seals are in good condition.
  - Check that the door closes correctly.
  - Check that the glass is not damaged.
  - Check that the smoke passages are not obstructed by packaging or removable parts.
  - \_ Check that all removable parts are correctly installed.
- Note :** The rope seals should be checked on a regular basis as they are normal replacement parts.

## 2.8 Maintenance of the Chimney

**Very important :** In order to avoid any incident (chimney fire, etc...), maintenance tasks must be carried out regularly. If the appliance is regularly used, the chimney should be swept several times per year, together with the stovepipe connection section.

If the chimney catches fire, you must cut off the flue draught, close the doors and windows, hatches and keys, stop up the connection hole with wet cloths and call the Fire Brigade.

**DO NOT OPEN THE DOOR OF THE APPLIANCE  
(OR AIR INLET)  
UNDER ANY CIRCUMSTANCES**

### 3 Instructions for user

The manufacturer will not be responsible for damages on parts of the appliance due to the use of prohibited fuel or due to an alteration of the appliance or its installation. **Only use replacement parts supplied by the manufacturer.**

**All the local and national regulations, and in particular those relating to national and European standards, must be observed when using the appliance.**

Don't run the stove in mild weather with coal !

Under certain circumstances (e.g. fog and repeated thaw) the chimney will not draw sufficiently well and thus be at the origin of asphyxia.

#### 3.1 Fuel

**This appliance is not an incinerator.**

- Use hard wood logs, which have been cut for at least two years and stored, under a ventilated shelter (Humidity < 20 %).
- Hardwood has a higher calorific value per cu metre.
- Large logs must be split and cut to an useful length, before being stored in a sheltered and ventilated place.

• **Recommended fuel**

Firewood : **Hornbeam**

• **Suitable fuel**

Firewood : Oak, ash, maple, birch, elm, beech, etc...

We do not recommend the use of Homefire on your stove due to the number of glass panels which have been effected by this fuel.

• **Prohibited fuel**

**Any form of coal and fuel oil !**

“Green wood”. Green or damp wood reduces the appliance efficiency and soils the glass, the internal walls and the flue (soot, tar, etc...).

“Recovered wood”. Railway sleepers, telegraph poles, offcuts of plywood or chip board, pallets, etc... Burning treated wood quickly clogs the flue ways (soot, tar, etc...), pollutes the environment (pollution and smell, etc...), cause the fire to burn too quickly and overheat.

☞ **Warning ! Green wood and recovered wood can cause a chimney fire.**

#### 3.2 Lighting

**Figure 5**

- Open the air regulation flap (# B1).
- Open the main door.
- Place on the grate on scrunched up paper, some brushwood and some hardwood of small diameter.
- Set light to the paper and close the glass door.
- When the wood is well lit partially, load the appliance without excess and close the main door (# A).
- At the first lighting, the fire must be progressively increased to allow the various parts to expand normally and to dry up.
- When the fire is lit for the first time, the appliance may give off fumes from the new paint. This is normal but ensure the room is well ventilated during the first few hours operation.

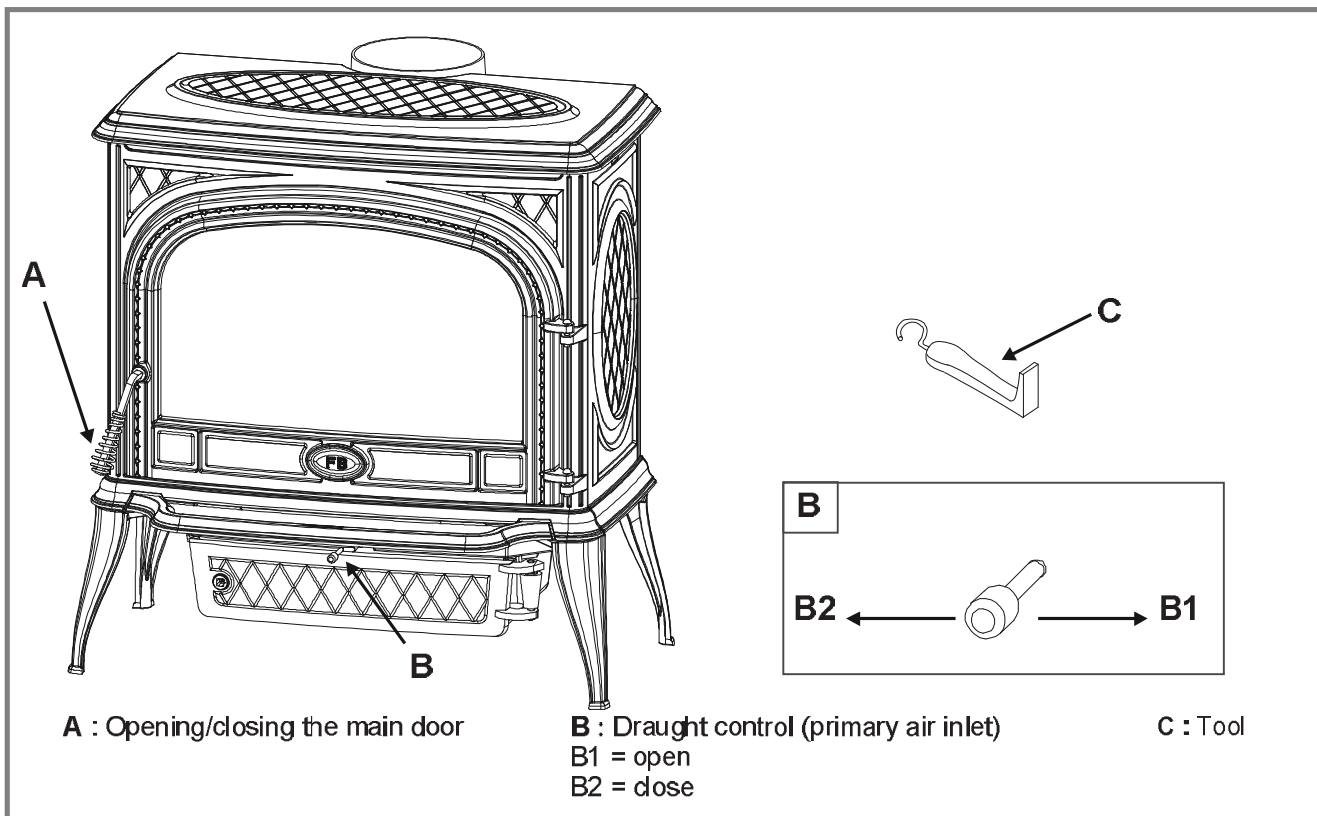


Figure 5 - Operating devices

### 3.3 Operating procedure

**The appliance must function with the door properly closed**, the burning rate being controlled in using the air control flap (# **B**).

Experience will show you which settings are best for your situation.

The airwash system works with the air control flap. When the air control flap is full open the system works at its strongest efficiency.

The more closed down the air control flap is, the less effective the airwash will be (when shut down completely, the airwash system can not function).

• **Loading the fuel :**

- The door should be opened slowly, avoiding a sudden rush of intake air, so that smoke does not escape into the room.
- The minimum reloading interval for nominal heat output is 1,2 hours.
- The logs must be placed on the glowing embers.
- For a briskly burning fire, there should always be at least two logs in the fire. The fire will burn better if there are several logs.
- For a slower burning fire (for example, at night), select larger logs.
- After loading the firebox, close the main door (# **A**, page 7).

### 3.4 De-ashing

- Ashes must be removed regularly.
- Ashes must never be allowed to pile up to the grate. The grate would not be cool down and could rapidly be damaged.
- Empty the ashes when the appliance is cold.
- Pick up the ash pan using a tool.
- Empty the ashes carefully with regard to the live embers.

### 3.5 Maintenance of the Chimney

**Very important :** In order to avoid any incident (chimney fire, etc...), maintenance tasks must be carried out regularly. If the appliance is regularly used, the chimney should be swept several times per year, together with the stovepipe connection section.

**If the chimney catches fire, you must cut off the flue draught, close the doors and windows, hatches and keys, stop up the connection hole with wet cloths and call the Fire Brigade.**

**DO NOT OPEN THE DOOR OF THE APPLIANCE  
(OR AIR INLET) UNDER ANY CIRCUMSTANCES**

Chimney condition should be checked at least once per year by a professional engineer.

### 3.6 Maintenance of the stove

- The appliance must be cleaned regularly, together with the connecting pipe and the flue pipe.
- Open the door and remove all deposits in the firebox and clean the removable fire grate.
- Cleaning of the glass door can be done with a soft cloth dampened with water and vinegar or potassium ; this must be done when the appliance is cold ; then rinse with clear water. Do not use abrasive cleaners.
- The "vitroceramic" glass will resist to temperatures of up to 750 C. Should the glass break due to misuse, it must be replaced by the manufacturers own product.
- All the casing parts can be cleaned using a soft cloth either dry, or slightly damp. In case of condensation or water splashes clean the parts before they dry out.
- Check that there are no obstructions before relighting after a long period of disuse.
- The appliance must not be used with a flue serving several appliances.
- To maintain the grates ventilation free of any obstruction.

### 3.7 Safety advice

This appliance produces heat and may cause severe burns if touched.

The stove may still be **HOT** even when the fire has burnt out.

**KEEP CHILDREN AWAY.**



### 3.8 Trouble shooting



: This sign means that you should ask for a qualified engineer to do the work.

<i>Situation</i>	<b>Probable causes</b>	<b>Corrective action</b>
<i>Fire difficult to start. Fire goes out.</i>	<b>Wood green... or too damp</b>	- Use hard wood logs, which have been cut for at least two years and stored, under a ventilated shelter.
	<b>Logs are too big</b>	- To light the fire, use small, very dry twigs. To maintain the fire, use split logs.
	<b>Poor quality wood</b>	- Use hardwood that have a higher calorific value per cu metre (Yoke-elm, oak, ash, maple, birch, elm, beech, etc...).
	<b>Not enough primary air</b>	- Open air control. - Open the outside fresh air inlet grid.
	<b>Insufficient draught</b> <input checked="" type="checkbox"/>	- Check that the flue is not obstructed, sweep it if necessary. - Seek advice from a chimney specialist.
<i>Fire burns too quickly.</i>	<b>Too much draught</b>	- Ensure that the lighting flap is closed. - Partially close the air control.
	<b>Excessive draught</b> <input checked="" type="checkbox"/>	- Install a draught stabiliser to the connector pipe.
	<b>Poor quality wood</b>	- Do not continuously burn small wood, sticks, bundles, carpentry offcuts (plywood, pallets), etc...
<i>Smokes when lighting up.</i>	<b>Flue duct is cold</b>	- Burn paper and kindling wood to increase heat.
	<b>Room is in decompression (negative pressure)</b>	- In houses equipped with mechanical ventilation, partly open a window until the fire is well established.
<i>Smokes while burning.</i>	<b>Insufficient draught</b> <input checked="" type="checkbox"/>	- Consult a chimney specialist. - Check that the flue is not obstructed, sweep it if necessary.
	<b>Down draught</b> <input checked="" type="checkbox"/>	- Install an anti-down draught cowl.
	<b>Room is in decompression (negative pressure)</b> <input checked="" type="checkbox"/>	- In houses equipped with mechanical ventilation, an outside air intake must be installed for the chimney.
<i>Low heat output.</i>	<b>Poor quality wood</b>	- Use the recommended fuel.
	<b>Poor mixing of the convection air</b>	- Check the air flow system (air inlet, piping, air outlet). - Check that the next rooms are equipped with ventilation grids to help out the hot air circulation.



# 4 Spare parts

When ordering spare parts, specify the **stove type** and **serial number**, including the **colour** index (on the guarantee or identification plate), the **name** of the part and the **part number**.

**Example :** Wood stove “ARDENNES”, model **134 13 16**, color **Y**, top plate **352165 EF**.

**Y** = 134 13 16 Y

**B** = 134 13 16 B

**E** = 134 13 16 E

**N** = 134 13 16 N

**L** = 134 13 16 L

**P** = 134 13 16 P

**C** = 134 13 16 C

**Q** = 134 13 16 Q

N°	Code	Description . . . . .	Type . . . . .	Y	L	B	P	E	C	N	Q	Qty
1	100939	Axle . . . . .		Y	L	B	P	E	C	N	Q	02
2	101057	Axle . . . . .		Y	L	B	P	E	C	N	Q	01
3	101058	Axle . . . . .		Y	L	B	P	E	C	N	Q	01
4	101063	Axle . . . . .		Y	L	B	P	E	C	N	Q	01
5	105006	Gasket . . . . .		Y	L	B	P	E	C	N	Q	2 m
6	110402	Hinge pin . . . . .	6x30	Y	L	B	P	E	C	N	Q	02
7	134705	Pin . . . . .	6x45	Y	L	B	P	E	C	N	Q	01
8	134711	Pin . . . . .	6x30	Y	L	B	P	E	C	N	Q	01
9	142316	Gasket . . . . .	7x3	Y	L	B	P	E	C	N	Q	1 m
10	142881	Gasket . . . . .		Y	L	B	P	E	C	N	Q	08
11	158589	Handle . . . . .		Y	L	B	P	E	C	N	Q	01
12	179626	Regulator shaft . . . . .		Y	L	B	P	E	C	N	Q	01
13	181625	Ceramic rope . . . . .	Ø 7	Y	L	B	P	E	C	N	Q	3,16 m
14	181632	Gasket . . . . .	Ø 6	Y	L	B	P	E	C	N	Q	2 m
15	181633	Gasket . . . . .	Ø 10	Y	L	B	P	E	C	N	Q	0,92 m
16	181634	Gasket . . . . .	Ø 15	Y	L	B	P	E	C	N	Q	1,37 m
17	188843	Ceramic glass . . . . .		Y	L	B	P	E	C	N	Q	01
18	207315	60 Back panel . . . . .		Y	L	B	P	E	C	N	Q	01
19	222575	Flue baffle . . . . .		Y	L	B	P	E	C	N	Q	01
20	236135	Sealing plate . . . . .		Y	L	B	P	E	C	N	Q	01
21	259015	Fixing plate . . . . .		Y	L	B	P	E	C	N	Q	02
22	259037	Fixing plate . . . . .		Y	L	B	P	E	C	N	Q	02
23	259042	Fixing plate . . . . .		Y	L	B	P	E	C	N	Q	02
24	269449	Deflector . . . . .		Y	L	B	P	E	C	N	Q	01
25	269501	Deflector . . . . .		Y	L	B	P	E	C	N	Q	01
26	270414	Air control flap . . . . .		Y	L	B	P	E	C	N	Q	01
27	300132	77 Leg . . . . .			L							04
27	300132	EF Leg . . . . .		Y								04
27	300132	EP Leg . . . . .								N		04
27	300132	MK Leg . . . . .							C			04
27	300132	RJ Leg . . . . .				B						04
27	300132	RP Leg . . . . .						E				04
27	300134	RH Leg . . . . .					P					04
27	300134	ER Leg . . . . .									Q	04
28	300491	EF Base . . . . .		Y	L	B	P	E	C	N	Q	01
29	301172	77 Ash pan door . . . . .			L							01
29	301172	EF Ash pan door . . . . .		Y								01
29	301172	EP Ash pan door . . . . .								N		01
29	301172	MK Ash pan door . . . . .							C			01
29	301172	RH Ash pan door . . . . .					P					01
29	301172	RJ Ash pan door . . . . .				B						01
29	301172	RP Ash pan door . . . . .						E				01
29	301172	ER Ash pan door . . . . .									Q	01
30	303860	77 Flue collar . . . . .			L							01
30	303860	EF Flue collar . . . . .		Y								01
30	303860	EP Flue collar . . . . .								N		01
30	303860	MK Flue collar . . . . .							C			01
30	303860	RH Flue collar . . . . .				B						01
30	303860	RJ Flue collar . . . . .						E				01
30	303860	RP Flue collar . . . . .					P					01
30	303860	ER Flue collar . . . . .									Q	01
31	305016	Wall . . . . .		Y	L	B	P	E	C	N	Q	01
32	305214	Firebrick . . . . .		Y	L	B	P	E	C	N	Q	01
33	306285	EF Back wall . . . . .		Y	L	B	P	E	C	N	Q	01
34	309233	Grate . . . . .		Y	L	B	P	E	C	N	Q	01
35	310734	77 R. side panel . . . . .			L							01

Y = 134 13 16 Y

B = 134 13 16 B

E = 134 13 16 E

N = 134 13 16 N

L = 134 13 16 L

P = 134 13 16 P

C = 134 13 16 C

Q = 134 13 16 Q

N°	Code	Description	Y	L	B	P	E	C	N	Q	Qty
35	310734	EF R. side panel	Y								01
35	310734	EP R. side panel							N		01
35	310734	MK R. side panel						C			01
35	310734	RH R. side panel				P					01
35	310734	RJ R. side panel			B						01
35	310734	RP R. side panel					E				01
35	310734	ER R. side panel								Q	01
36	310830	77 L. side panel		L							01
36	310830	EF L. side panel	Y							Q	01
36	310830	EP L. side panel							N		01
36	310830	MK L. side panel						C			01
36	310830	RH L. side panel				P					01
36	310830	RJ L. side panel			B						01
36	310830	RP L. side panel					E				01
36	310830	ER L. side panel								Q	01
37	315614	Air duct	Y	L	B	P	E	C	N	Q	01
38	319738	Grate support	Y	L	B	P	E	C	N	Q	01
39	322717	Supplementary support	Y	L	B	P	E	C	N	Q	01
40	326602	Flue baffle	Y	L	B	P	E	C	N	Q	01
41	327905	77 Ash pan guide		L							01
41	327905	EF Ash pan guide	Y								01
41	327905	EP Ash pan guide							N		01
41	327905	MK Ash pan guide						C			01
41	327905	RH Ash pan guide				P					01
41	327905	RJ Ash pan guide			B						01
41	327905	RP Ash pan guide					E				01
41	327905	ER Ash pan guide								Q	01
42	330022	EF Hearth plate	Y	L	B	P	E	C	N	Q	01
43	331001	Adapter	Y	L	B	P	E	C	N	Q	01
44	331128	77 Main door		L							01
44	331128	EF Main door	Y								01
44	331128	EP Main door							N		01
44	331128	MK Main door						C			01
44	331128	RH Main door				P					01
44	331128	RJ Main door			B						01
44	331128	RP Main door					E				01
44	331128	ER Main door								Q	01
45	331700	Support	Y	L	B	P	E	C	N	Q	01
46	332003	Air duct	Y	L	B	P	E	C	N	Q	01
47	352165	77 Top plate		L							01
47	352165	EF Top plate	Y								01
47	352165	EP Top plate							N		01
47	352165	MK Top plate						C			01
47	352165	RH Top plate				P					01
47	352165	RJ Top plate			B						01
47	352165	RP Top plate					E				01
47	352165	ER Top plate								Q	01
48	359822	77 Front plate		L							01
48	359822	EF Front plate	Y								01
48	359822	EP Front plate							N		01
48	359822	MK Front plate						C			01
48	359822	RH Front plate				P					01
48	359822	RJ Front plate			B						01
48	359822	RP Front plate					E				01
48	359822	ER Front plate								Q	01
49	624045	Ash pan	Y	L	B	P	E	C	N	Q	01
50	808001	ED Hand tool	Y	L	B	P	E	C	N	Q	01
51	988921	Complete door							N		01
51	988934	Complete door	Y								01
51	988935	Complete door		L							01
51	988936	Complete door			B						01
51	988937	Complete door				P					01
51	988938	Complete door					E				01
51	988939	Complete door						C			01
51	988998	Complete door								Q	01

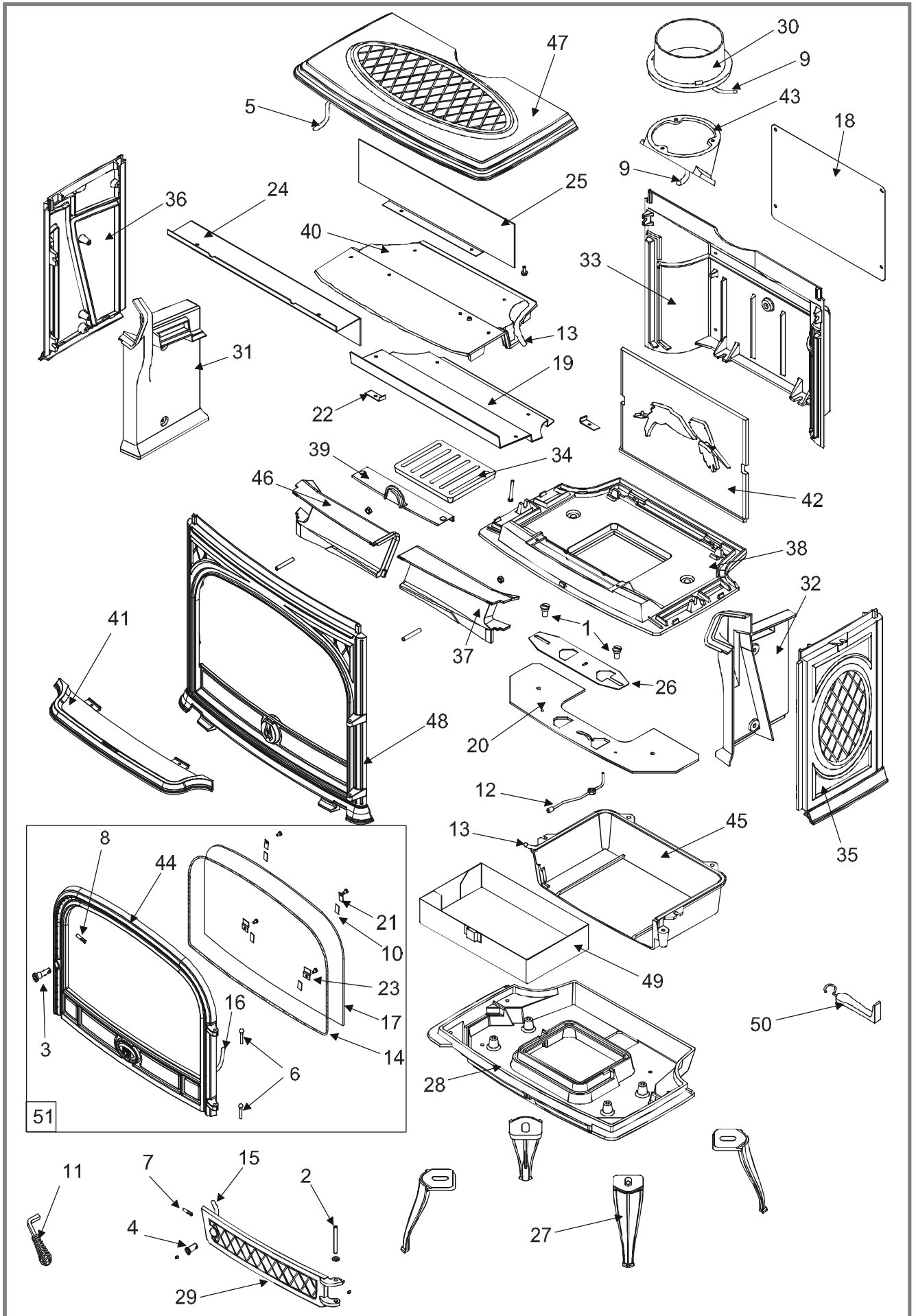


Figure 6 - Spare parts view

# Guarantee certificate

## Legal guarantee

The specifications, dimensions and information shown on our documents are provided for information purposes only and under no circumstances are binding upon the vendor.

With the aim of constantly improving our equipment, all modifications considered as necessary by our departments may be made without notice.

The provisions of the present guarantee certificate are not excluding or limiting the owner of the equipment's rights, concerning the legal guarantee regarding faults or hidden vices which applies in all circumstances, in the conditions detailed in articles 1641 and following of the civil code and in the country in which the equipment was purchased.

## Contractual guarantee

Our equipment is guaranteed against faults and hidden vices subject to the following conditions :

- 1) Installation and adjustment of the device by a professional installer.
- 2) Observance of the instructions provided in our technical documents and our installation/adjustment instructions.
- 3) The installation, use and maintenance of the device carried out in conformity with the applicable standards and legislation, and with the indications provided in the technical instructions accompanying the device.

This guarantee covers the replacement, in our factory, of parts recognised as being defective from the outset by our "Guarantee Inspection Department". Carriage and

labour is at the user's cost. Moreover, if the repair or replacement of parts covered by the guarantee is found to be too costly vis-à-vis the price of the appliance, the decision to replace or repair the appliance will be taken by the vendor.

Our guarantee is for 2 (two) years for all appliances, with the exception of closed combustion fireplace and inserts for which our guarantee is 5 (five) years excluding the following :

- 1) Indicator lights, fuses, electrical elements and fans.
- 2) Parts subject to wear or in contact with high temperatures namely : soles and burner grates, bottom plates baffles, ash pans, paintwork and surface treatments for decorative parts. Also excluded from this guarantee are seals and glass.
- 3) Any damage which may result from the use of the appliance with a fuel other than that stipulated in our instructions.
- 4) Damage occurring to parts caused by elements outside the appliance (down draught, storm damage, damp, abnormal pressure or vacuum, heat shocks, etc...).
- 5) Damage to electrical parts caused by plugging in and using the appliance on a mains system, the voltage of which (measured at the entrance to the appliance) is 10% above or below the nominal voltage of 220 V.

## Exclusion of liability

In the case of a product manufactured at the client's request, under no circumstances may we, as a subcontractor, be considered liable vis-a-vis the client or third parties for defects arising from the installation or a design fault with the item in question.

☒ Name and address of the installer : \_\_\_\_\_

☎ Telephone : \_\_\_\_\_

☒ Name and address of the customer : \_\_\_\_\_

Date of installation : \_\_\_\_ / \_\_\_\_ / \_\_\_\_\_

Model of the appliance :  134 13 16

Color :  Y  L  B  P  E  C  N  Q

Serial number : \_\_\_\_\_

- This certificate has to be completed and kept carefully.  
In case of claims, send a copy of this to :

FRANCO BELGE   
"La chaleur en toute confiance"

127<sup>ième</sup> RIF,15  
BE 5660 MARIEMBOURG