



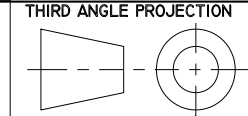
FM 45458

**A.O.SMITH**  
ELECTRICAL PRODUCTS LTD

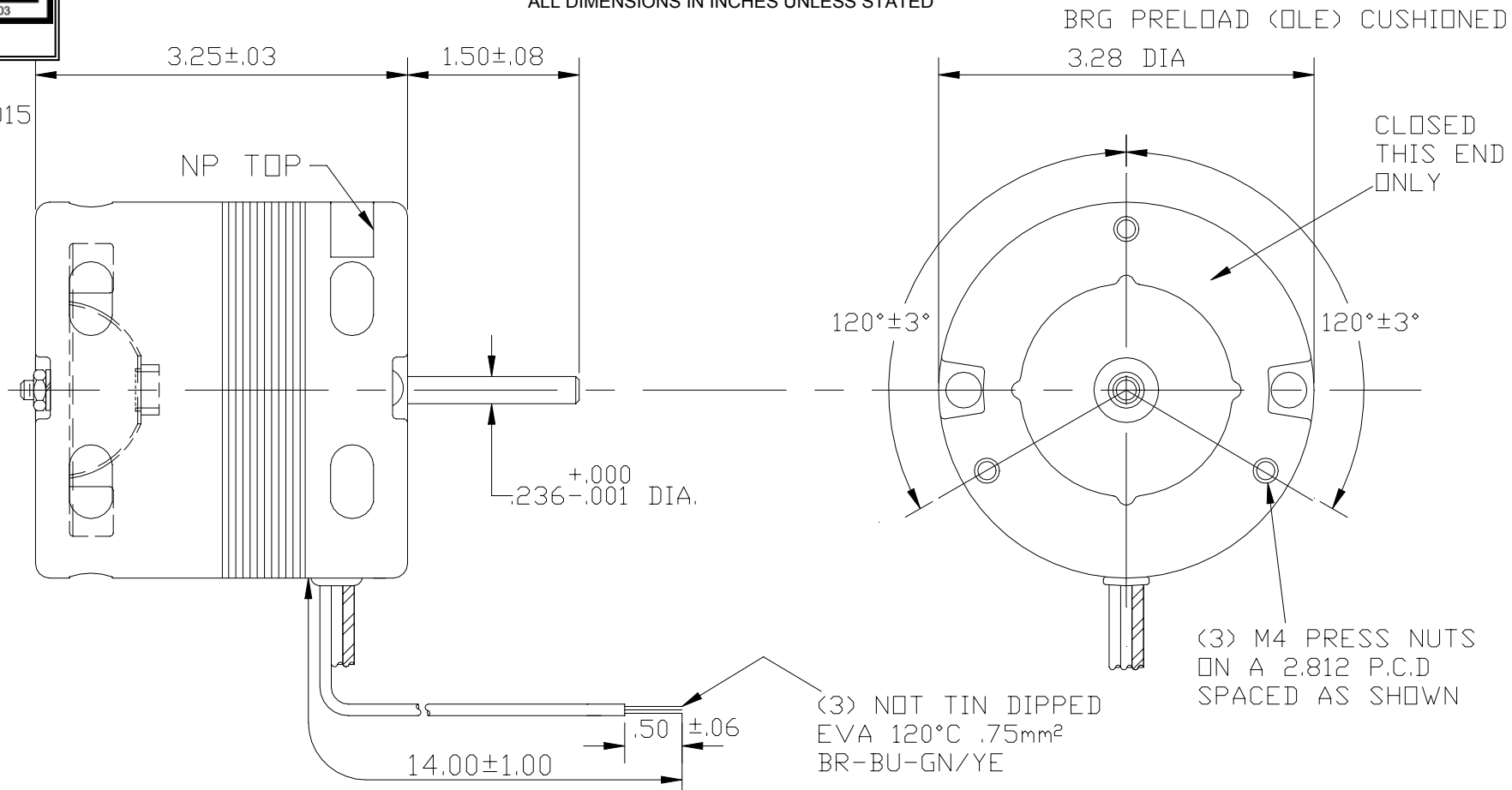
Gainsborough, Lincs DN21 1XU. UK  
TEL.: +44 (0)1427 614141  
FAX.: +44 (0)1427 617513

PROPRIETARY INFORMATION NOTICE:  
THIS DOCUMENT IS AND CONTAINS CONFIDENTIAL TRADE SECRET INFORMATION OF THE COMPANY AND REMAINS THE PROPERTY OF THE COMPANY AND IS TO BE RETURNED UPON REQUEST.  
NEITHER IT NOR THE INFORMATION IT CONTAINS MAY BE REPRODUCED OR DISCLOSED TO PERSONS NOT HAVING A NEED-TO-KNOW CONSISTENT WITH THE PURPOSE OF THE LOAN OF THE DOCUMENT.

CUSTOMER IS SOLELY RESPONSIBLE FOR MOTOR PERFORMANCE AND SUITABILITY IN APPLICATIONS FOR CUSTOMER'S USES



ALL DIMENSIONS IN INCHES UNLESS STATED



DO NOT SCALE DRAWING

AS SAMPLE P05737

ROTATION CWLE-CWSE	ISSUE 'NW' 1 Sep 05	HARWORTH HEATING	SHIP SEPARATE
--------------------	---------------------	------------------	---------------

NAMEPLATE DATA :

**A.O.SMITH** THERMALLY PROTECTED

SER DATE A & PO NO MOD AB1M6935K  
230V 50HZ 0.33A

SCREW 21P5001-6 (3)