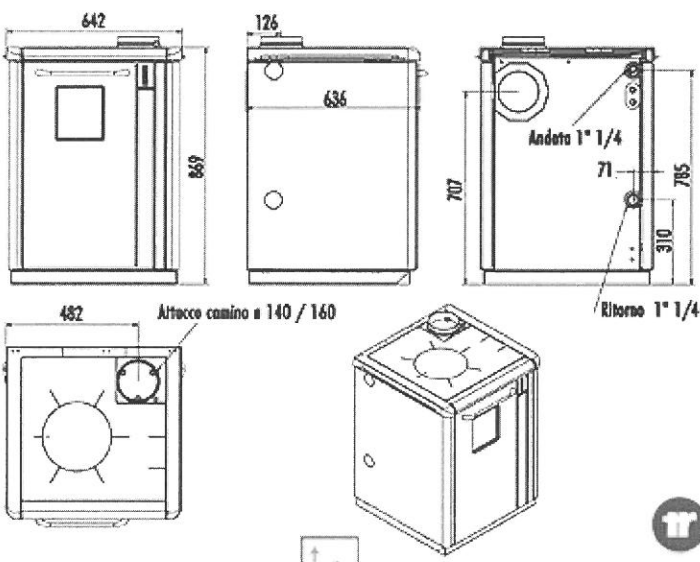


# COOKER - "BOSKY" 25/30

## TECHNICAL CHARACTERISTICS



Dimensions (HxWxD)	<b>(mm)</b>	869x642x636
Cooktop dimensions	<b>(mm)</b>	525x525
Feed opening dimensions (LxH)	<b>(mm)</b>	210x235
Firebox dimensions	<b>(mm)</b>	540x300x442
Combustion efficiency up to max		>75%
Min. flue draught pressure	<b>(mbar)</b>	-0,20
Flue gas exhaust diameter	<b>(mm)</b>	150
Water content	<b>lt</b>	27
Weight	<b>(kg)</b>	221
Power to the hearth	<b>(kW)</b>	25,3-29,6
Power rendered for convection and radiation of the atmosphere	<b>(kW)</b>	5
Power to the water	<b>(kW)</b>	20,9-24,4