

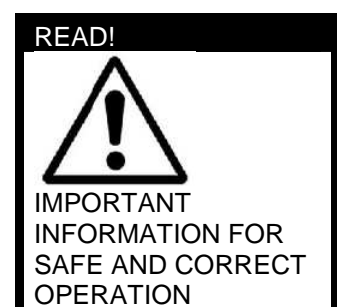
THERMOROSSI

PELLET, WOOD & SUN TECHNOLOGIES INSTALLATION, USE AND MAINTENANCE GUIDE



Model:

SlimQuadro 11



INDEX

“EC” DECLARATION OF CONFORMITY 0

1 - INTRODUCTION..... 0

 1.1 GENERAL GUIDELINES 0

 1.2 SAFETY GUIDELINES 0

 1.2.1 RECOMMENDATIONS 0

 1.2.2 GENERAL WARNINGS 0

 1.4 TRANSPORTATION AND STORAGE..... 0

2 – TECHNICAL CHARACTERISTICS* 0

3 – GENERAL DESCRIPTION..... 0

 3.1 OPERATING TECHNOLOGY..... 0

 3.2 THE PELLETT..... 0

 3.3 THE FEEDBOX..... 0

4 - INSTALLATION 0

 4.1 APPLIANCE LOCATION 0

 4.2 UNPACKING THE APPLIANCE 0

 4.3 GLUING THE GLASS PANES TO THE FRONT PANEL 0

 4.4 CONNECTING THE APPLIANCE TO THE FLUE OUTLET..... 0

 4.5 REMOUNTING THE FRONT PANEL 0

 4.6 HANDLE..... 0

 4.7 WALL MOUNT INSTALLATION 0

5 – DESCRIPTIONS OF CONTROLS..... 0

 5.1 DESCRIPTION OF THE CONTROL PANEL AND BACK PANEL 0

 5.1.1 DESCRIPTION OF THE CONTROL PANEL..... 0

 5.1.2 RH SIDE PANEL OF THE HEATER..... 0

 5.2 DAY AND TIME SETTING 0

 5.3 ON/OFF PROGRAMMING 0

 5.3.1 ON-OFF PROGRAMMING DISPLAYS 0

 5.4 OPERATING LEVEL SETTING 0

6 – USE OF THE APPLIANCE 0

 6.1 SWITCHING ON THE APPLIANCE..... 0

 6.2 COMBUSTION AND VENTILATION ADJUSTMENTS..... 0

 6.3 INFRARED REMOTE CONTROL..... 0

 6.4 OPERATION OF THE WHITE HANDHELD RADIO CONTROL THERMOCOMFORT (OPTIONAL) 0

 6.4.1 INDICATORS OF THE HANDHELD RADIO CONTROL 0

 6.5 CHANNELLING..... 0

7 - ADDITIONAL ROOM TEMPERATURE THERMOSTAT (not supplied) ADDITIONAL CHRONOTHERMOSTAT - MODEM (not supplied)..... 0

 7.1 OPERATING WITH THE ADDITIONAL ROOM TEMPERATURE THERMOSTAT (not supplied) 0

 7.2 OPERATING WITH THE ADDITIONAL CHRONOTHERMOSTAT (not supplied)..... 0

8 - CLEANING AND MAINTENANCE..... 0

 8.1 FOREWORD..... 0

 8.2 CLEANING AND MAINTAINING THE APPLIANCE..... 0

 8.3 AIR FILTER..... 0

 8.4 CHARGING THE BATTERY OF THE THERMOCOMFORT HANDHELD RADIO CONTROL (optional) 0

 8.5 BATTERY REPLACEMENT FOR INFRARED REMOTE CONTROL..... 0

8.6 REPLACING THE BUFFER BATTERY OF THE CONTROL PANEL	0
9 – SMOKE DISCHARGE TUBE AND VENTILATION OF THE ROOMS.....	0
9.1 FOREWORD	0
9.2 ROOM VENTILATION	0
9.2.1 VENTILATION FROM ADJOINING ROOMS.....	0
9.3 SMOKE OUTLET	0
9.3.1 CHIMNEY TYPES.....	0
9.3.2 FLUE OUTLET / FLUE SYSTEM COMPONENTS	0
9.3.3 CONTROLS PRIOR TO INSTALLING THE APPLIANCE.....	0
10 – ALARMS.....	0
11 - ELECTRICAL WIRING	0
12 - INFORMATION FOR THE SKILLED TECHNICIAN	0
12.1 MAIN COMPONENTS AND THEIR OPERATION.....	0
12.2 REQUIREMENTS NECESSARY FOR CORRECT INSTALLATION AND OPERATION.....	0
12.3 TROUBLESHOOTING CAUSE-SOLUTION.....	0
13 - SPARE PARTS	0
13.1 SPARE PARTS SLIMQUADRO 11 PAGE 1/3.....	0
13.2 SPARE PARTS SLIMQUADRO 11 PAGE 2/3.....	0
13.3 SPARE PARTS SLIMQUADRO 11 PAGE 3/3.....	0



“EC” DECLARATION OF CONFORMITY

DICHIARAZIONE DI CONFORMITA'
DECLARATION OF CONFORMITY

La THERMOROSSI S.P.A., VIA GRUMOLO N° 4 36011 ARSIERO (VI), sotto la sua esclusiva responsabilità DICHIARA che l'apparecchiatura descritta in appresso:

DECLARES that the product:

Descrizione <i>Description</i>	Stufa a pellets <i>Pellet stove</i>
Marchio <i>Trademark</i>	THERMOROSSI S.P.A.
Modello <i>Model</i>	SLIMQUADRO 11

è conforme alle disposizioni legislative che traspongono le seguenti Direttive:

- 2004/108/CE (Direttiva EMC)
- 2006/95/CE (Direttiva Bassa Tensione)
- 89/106/CEE (Direttiva Prodotti da Costruzione) e successivi emendamenti

is in accordance with the following Directives:

- 2004/108/EC Directive (EMC Directive)
- 2006/95/EC Directive (Low Voltage Directive)
- 89/106/EEC Directive (Construction Products Directive) and subsequent amendments

e che sono state applicate tutte le norme e/o specifiche tecniche di seguito indicate
and that all the following standards have been applied

EN 55014-1	EN 60335-1	EN 14785
EN 55014-2	EN 60335-2-102	
EN 61000-3-2	EN 62233	
EN 61000-3-3		

Ultime due cifre dell'anno in cui è affissa la marcatura CE 12
Last two figures of the year of the CE marking

Luogo **Arsiero**
Place

Data **10/10/2012**
Date

Firma
Sign
(nome e funzione)
(name and title)

1 - INTRODUCTION

1.1 GENERAL GUIDELINES

This installation, use and maintenance guide is an integral and essential part of the product and must be kept by the user. Before commencing with the installation, use and maintenance of the product, carefully read all the instructions contained in this booklet. All local, national and European regulations regarding the installation and use of the appliance must be met. The Manufacturer recommends carrying out all the maintenance operations described in this manual.

This appliance must only be used as intended by the manufacturer. Any other use is considered incorrect and therefore hazardous; consequently, the user shall be totally liable for the product if used improperly. Installation, maintenance and repairs must be carried out by professionally qualified personnel, professionally certified according to Decree no. 37 of 22 January 2008 and in compliance with current regulations and in accordance with the instructions provided by the manufacturer of the appliance. In case of repairs only original spare parts supplied by the manufacturer must be used. Incorrect installation or poor maintenance could injure or damage people, animals or things; in this case the manufacturer shall be relieved of all responsibility. Before beginning any cleaning or maintenance operation switch off the appliance, turn the switch installed at the back of the appliance to the OFF position and disconnect the plug from the electrical power socket. The product must be installed in locations suitable for fire-fighting and furnished with all the services (power and outlets) which the appliance requires for a correct and safe operation. Any repairs or actions carried out on any systems, components or internal or external parts of the appliance, or on any of the accessories supplied with it, that are not specifically authorised by Thermorossi S.p.A, will automatically void the warranty and the manufacturer's responsibility, pursuant to D.P.R. 224 of 24/05/1988, art. 6/b. Keep this manual in a safe place that is easily accessible to all users: if the manual is lost or deteriorated contact the manufacturer for a replacement copy. If the appliance is sold or transferred to another user ensure that the guide is handed over with it. If this manual is lost and/or damaged it is mandatory to ask the manufacturer for a replacement copy.

Thermorossi S.p.A. retains copyright on these service instructions. These instructions may not be reproduced or communicated to third parties or used in any other way without the necessary authorisation.

1.2 SAFETY GUIDELINES



PERSONAL INJURY

This safety symbol identifies important messages throughout the manual. Read the information marked by this symbol carefully as non-observance of this message can cause serious injury to persons using the appliance.



DAMAGE TO PROPERTY

This safety symbol identifies messages or instructions that are fundamental for the appliance and system to function well. To avoid serious damage to the appliance adhere strictly to these instructions.



INFORMATION

This symbol indicates important instructions for good functioning of the appliance. If this information is not correctly observed, the performance of the appliance will not be satisfactory.

NORMATIVE REFERENCES :

complies with the legislative provisions transposing the following Directives:

2004/108/CE (EMC Directive)

2006/95/CE (Low voltage directive)

89/106/CEE (Construction Products Directive) and subsequent amendments

and that all the standards and/or technical specifications listed below were applied

EN 55014-1 EN 55014-2 EN 61000-3-2 EN 61000-3-3 EN 60335-1 EN 60335-2-102 EN 62233 EN 14785

1.2.1 RECOMMENDATIONS



Before using the appliance, carefully read every section of this instruction manual as knowledge of the information and the regulations contained in it are essential for a correct use of the appliance.

The entire operation concerning the connection of the electric panel must be carried out by expert personnel; no responsibility will be accepted for damages, even to third parties, if the instructions for installation, use and maintenance of the appliance are not followed scrupulously. Modifications made to the appliance by the user or on his behalf, must be considered to be under his complete responsibility. The user is responsible for all the operations required for the maintenance of the appliance before and during its use.

1.2.2 GENERAL WARNINGS



Caution: the appliance must be connected to a system provided with a PE conductor (in compliance with the specifications of 73/23/EEC, 93/98/EEC, concerning low voltage equipment).
Before installing the appliance check the efficiency of the earth circuit of the power supply system.

Caution: the power supply line must have a section which is suitable for the power of the equipment. The cable section must in any case be no less than 1.5 mm². The appliance requires powering with a voltage of 220-240 V and 50 Hz. Voltage variations greater than 10% of the nominal value can cause irregular operation or damage the electrical device. Position the appliance so that the electric power plug is easily accessible. Ensure that a suitable differential switch is installed upstream from the equipment.

Your appliance has obtained the CE marking and has been made to run for 1 hour to check that it functions correctly.

The product must not be used by children, by persons with physical or mental impairments, by persons who are not familiar with the instructions for use and maintenance of the product (the instructions are found in this booklet).

CAUTION: Before each use make sure that the burner is clean and positioned correctly in its lodging, check that the ash pans are clean and shut tight and check that the firebox door is locked.

WARNING: the door must always remain shut tight when the heater is operating. It is strictly forbidden to open the door while the appliance is in operation. While the appliance is in operation the smoke exhaust pipes and the appliance itself can reach extremely high temperatures: do not touch them! Do not expose your body to hot air for long, do not overheat the room in which the appliance is installed, as these actions could cause health problems. Do not expose plants or animals directly to the hot air flow as this could have noxious effects on them. The appliance must light up automatically as designed and described in this installation, use and maintenance booklet; the appliance must light up automatically as designed and described in this installation, use and maintenance booklet; in this regard, it is strictly prohibited to pour pellets (or other material) directly into the brazier. Do not place non-heat resistant or inflammable or combustible objects in the vicinity of the appliance: keep them at a suitable distance. Do not place wet clothing to dry on the appliance. When using a clothes horse, keep at a suitable distance. It is strictly prohibited to disconnect the appliance from the electrical power mains during normal operation.



Warning: do not wet the appliance and do not touch the electrical parts with wet hands. Never vacuum hot ash : this could damage the vacuum device. All the cleaning operations described in this manual must be carried out when the appliance is cold.



Caution! Warning for Swiss users

Refer to the local cantonal regulations imposed by the Fire Department (Mandatory signalling and safety distances) and the Note concerning installation of heaters issued by the Association of Cantonal Fire Agencies (VKF - AEAI).

1.4 TRANSPORTATION AND STORAGE

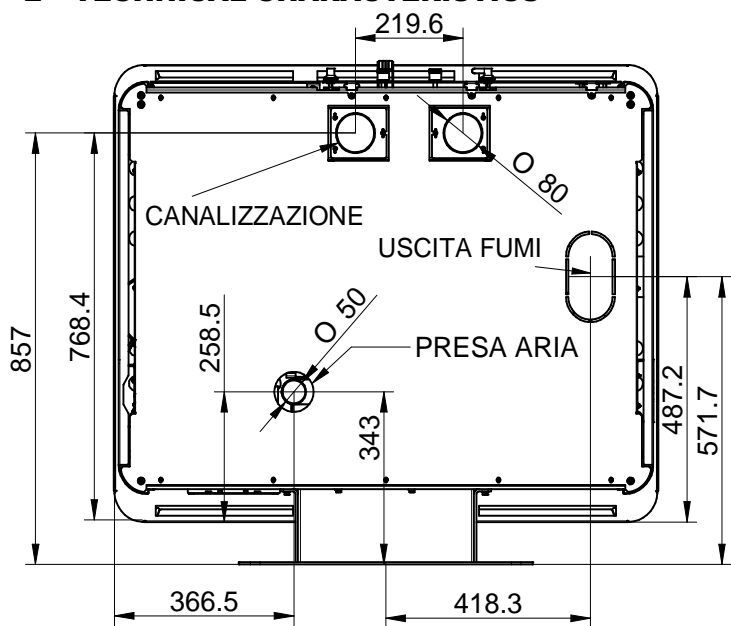
TRANSPORTATION AND HANDLING

The appliance must always be in a vertical position when handled and exclusively by means of trolleys. Take special care to protect the electric panel, the glass, and all the fragile parts from mechanical impact which could damage them and their correct functioning.

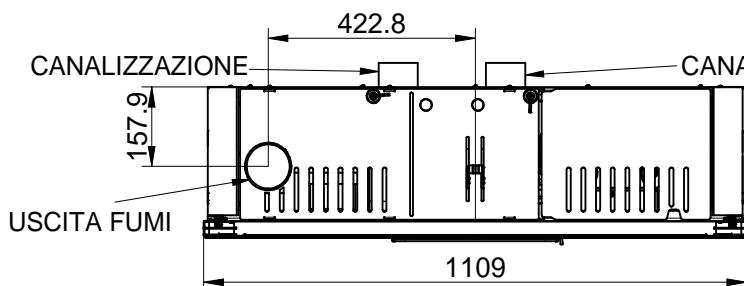
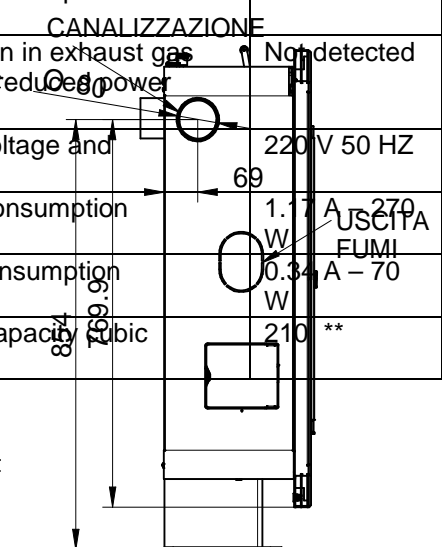
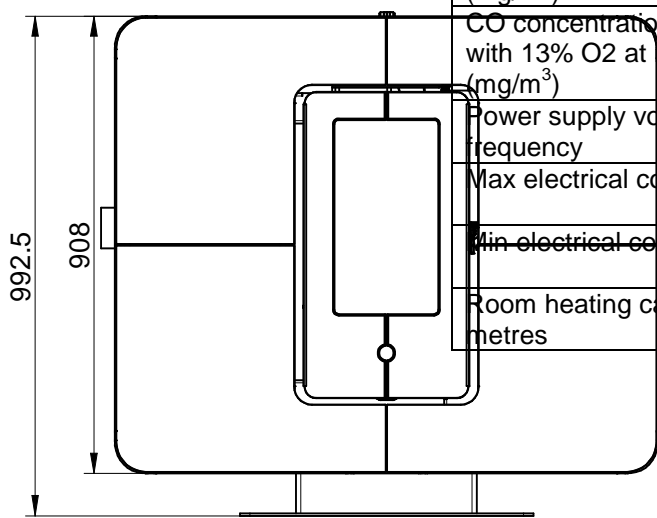
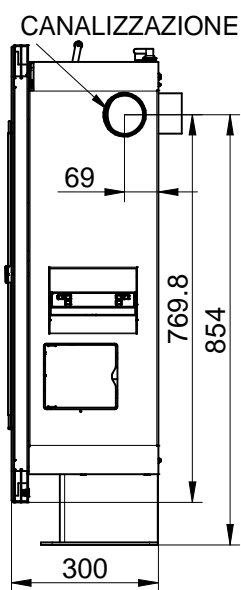
STORAGE

The appliance must be stored in a humid-free environment and sheltered from the weather; do not place the appliance directly on the floor. The Company denies all responsibility for damage caused to wood floors or floors made from any other material. It is inadvisable to store the appliance for long periods of time.

2 - TECHNICAL CHARACTERISTICS*



SLIM QUADRO 11	
Height (mm)	993
Depth (mm)	300
Width (mm)	1109
Weight (Kg)	160
Min/Max firebox power (KW)	2.98 / 10.2
Min/Max rated power (KW)	2.5 / 9.2
Min/Max consumption (Kg/ h)	0.70 / 2.3
Φ Smoke exhaust pipe (mm)	80
Min. draught at rated power (Pa)	12
Min. draught at reduced power (Pa)	10
Tank capacity (Kg)	Approx. 17
Average smoke temperature at rated power (°C)	180
Average smoke temperature at reduced power (°C)	Not detected
Smoke flow at rated power (g/sec)	5.5
Smoke flow at reduced power (g/sec)	Not detected
Efficiency at rated power (%)	90.2
Efficiency at reduced power (%)	84.2
CO concentration in exhaust gas with 13% O2 at rated power (mg/m ³)	188
CO concentration in exhaust gas with 13% O2 at reduced power (mg/m ³)	Not detected
Power supply voltage and frequency	220 V 50 HZ
Max electrical consumption (W)	1.17 A - 270 W
Min electrical consumption (W)	0.34 A - 70 W
Room heating capacity (cubic metres)	210 **



Legenda	Key
Canalizzazione	Channelling
Uscita fumi	Smoke outlet
Presa aria	Air intake

* All the data are based on the heater fuelled with standards UNI EN 14961-2 A1 and A2 type-approved pellets.

** It is important to take into consideration the fact that the heatable volume is greatly influenced by the insulation of the house (energy class of the building) and by the position of the appliance in the planimetry of the house, therefore the indicated values may vary, even significantly.

3 – GENERAL DESCRIPTION

3.1 OPERATING TECHNOLOGY

Your appliance has been built to fully satisfy all your heating and practical requirements. Top-grade components and functions managed with microprocessor technology guarantee high reliability and optimal performance.

3.2 THE PELLET

The appliance is fuelled by pellets, that is, cylinders of compressed sawdust; this allows you to fully enjoy the heat of the flame without having to manually stoke the combustion.

The pellets have a 6 mm diameter and a maximum length of 15 mm. They have a maximum moisture content of 8%; thermal value 4000/4500 Kcal/Kg and density of 620-630 Kg/m³, less than 0.7% ash content.

It is strictly forbidden to use any pellet type other than that specified above. (UNI EN 14961-2 A1 and A2). The use of fuel that does not comply with the above specifications not only immediately invalidates the warranty for the appliance but can also create dangerous situations. Do not use the appliance as an incinerator, at the risk of voiding the warranty. IMPORTANT: shut off the appliance before loading the pellets.

3.3 THE FEEDBOX



The feedbox is situated in the top part of the appliance. The load capacity specified in the technical data can vary according to the specific weight of the pellets.

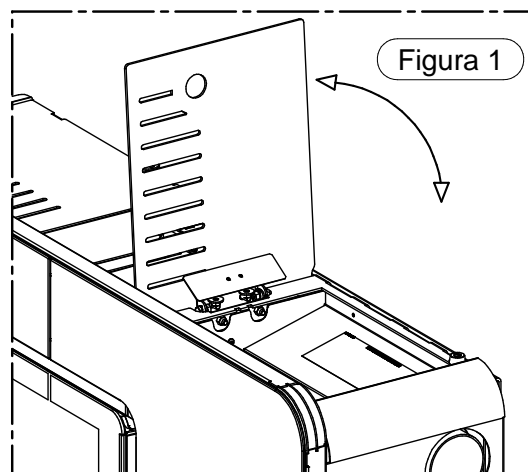
Take special care when loading the tank of the screw feeder at its base. Take care when topping up with fuel as the loading area can get very hot.

Only pellets that comply with the specifications listed above must be fed into the tank;

Never insert foreign objects into the tank. To access the feedbox firstly remove the tank cover as illustrated in Figure 1.



Attention: when loading the pellets into the tank take care not to drop any in the inner parts of the appliance, as this could cause live flames inside the appliance. The manufacturer recommends emptying the tank and vacuuming the screw feeder zone once a month and during the summer period. The appliance is designed to run on pellet fuel. Use of other combustible materials in the tank and/or combustion chamber is strictly prohibited.



4 - INSTALLATION

4.1 APPLIANCE LOCATION



Follow the general guidelines set out in paragraph 1.1 to the letter. Keep in mind that the flooring of the room in which the appliance is to be installed must withstand the combined weight of the appliance and the pellets contained in the tank.

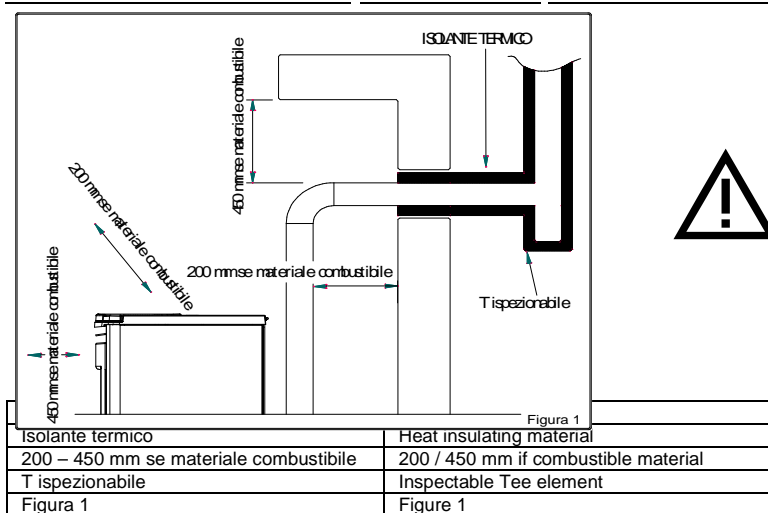


CAUTION: The appliance must be installed in a room with adequate ventilation. The appliance must be positioned at a minimum safe distance from walls and furnishings. If inflammable items are positioned near the appliance (matchboarding, furniture, curtains, wall hangings, sofas, etc...), this gap must be increased considerably. The recommended minimum distances are illustrated in Figure 1. If the flooring is made of wood or any other combustible material, it is recommended to install a fireproof floor protector plate between the appliance and the floor. Installation in the vicinity of heat-sensitive materials is only permitted if suitable insulating and fireproof protection is placed between the object and the appliance (ref. Uni 10683). Failure to observe this instruction will immediately invalidate the warranty.



The installer must issue a certificate of conformity for the installation which includes the design plans and the following documents:

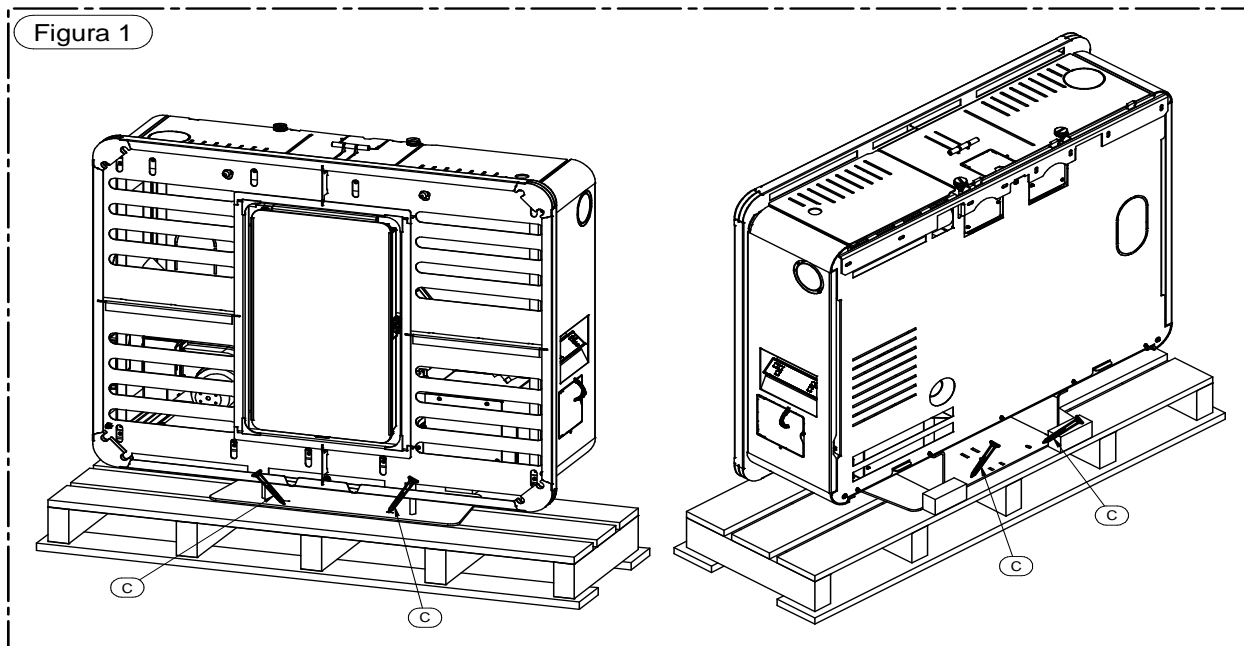
- a) Report containing the type of materials utilised.
- b) Project as defined in Article 5 of Ministerial Decree n°37 22 January 2008.
- c) Drawing of the finished installation.
- d) References to existing partial or previous declarations of conformity (e.g. electrical wiring).
- e) Copy of the certificate of recognition of the professional technical qualifications.



These documents must, by law, be kept together with the use and maintenance guide. The customer is responsible for verifying, directly or indirectly, that the installation has been carried out to perfection in accordance with relevant regulations in force. Do not install the appliance in unsuitable rooms such as bedrooms, bathrooms, garages and/or lock-ups. It is forbidden to place the appliance in environments with an explosive atmosphere. ATTENTION, the stove is not simply a household appliance: if the instructions set out in this booklet are not followed and/or if installation of the appliance is not executed perfectly and/or the provisions in force are not strictly complied with, dangerous conditions could arise for both objects and persons. It is the user's responsibility to verify the presence, in the room, of a vent necessary for supplying oxygen to the generator.

4.2 UNPACKING THE APPLIANCE

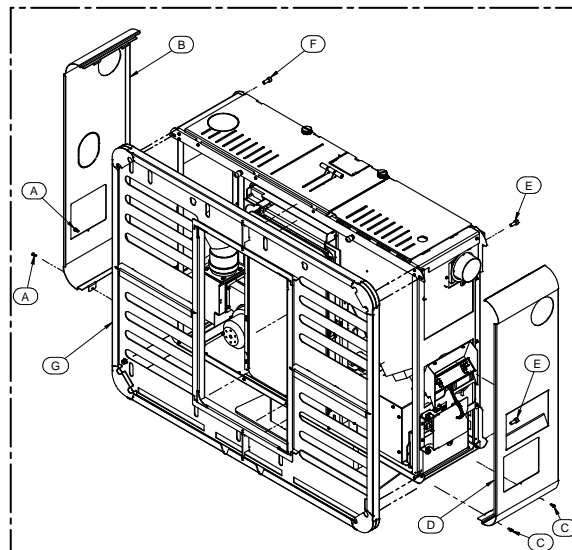
To unpack the appliance undo the screws C that fasten the base of the appliance to the pallet (Figure 1).

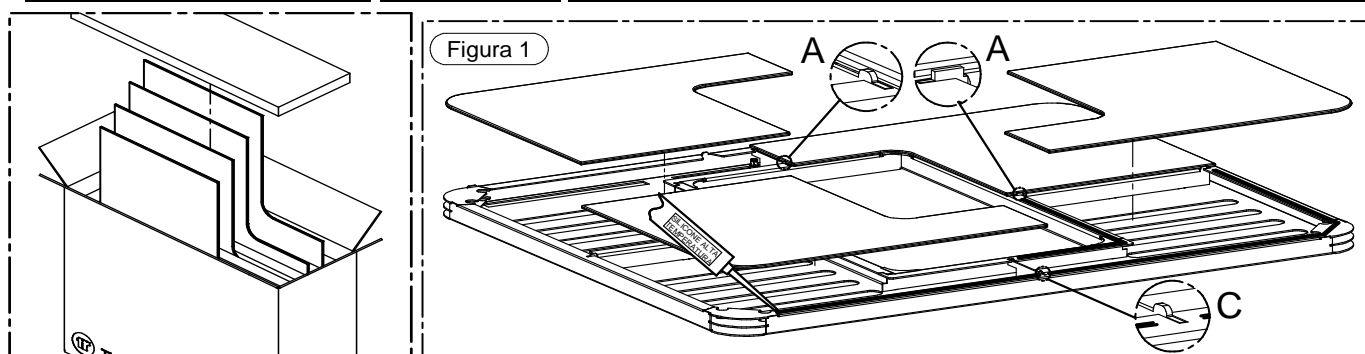


4.3 GLUING THE GLASS PANES TO THE FRONT PANEL

After unpacking the glass panes of the casing, disassemble the front panel as described below. Prior to beginning any operation, lay a soft sheet on the floor where you can place the front panel after removing it from the appliance, in order to prevent damaging the floor or scratching the paint on the panel.

- Undo screws A and slide out the left protective panel B
- Undo screws C and slide out the right protective panel D
- Undo the two screws E that fix the right side of the front panel
- Undo the two screws F that fix the left side of the front panel
- Remove the front panel by detaching it from the body of the appliance.
- Lay the front panel on the sheet on the floor.





To glue the panes to the front panel, firstly apply silicone to the surface of the panel as illustrated in Figure 1. The silicone must be suitable for high temperatures (>200°C). Attention: as highlighted in Detail C, do not apply silicone to the areas where the corners of the glass cross over. If applied here the silicone could leak out and ruin the look of the product.

Position each glass pane by placing it in an inclined position and using the locators A indicated in Figure 1. When the edges of the glass about the locators A, delicately place the entire surface of the pane with the applied silicone and exert uniform pressure with your hands over the whole surface, while making sure that the pane remains aligned in position. Repeat this procedure for all the glass panes.

After checking that the panes are aligned with each other and with the front panel secure them in position by applying strips of paper tape along the edges.

Wait at least 24h for the silicone to cure before handling the front panel. If the room temperature drops below 18°, wait 48 hours for the silicone to cure completely.

4.4 CONNECTING THE APPLIANCE TO THE FLUE OUTLET

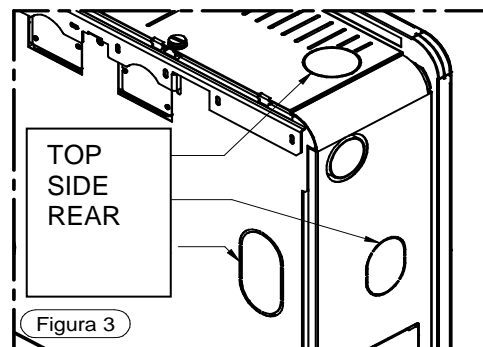
Connection of the appliance to the flue outlet must be carried out in strict compliance with the instructions contained in this booklet (see Chapter 9).

The appliance is fitted with the possibility for venting on three sides: top left, side left and rear left (Figure 3).

Side or rear venting requires the use of a 90° elbow which is not supplied with the appliance.

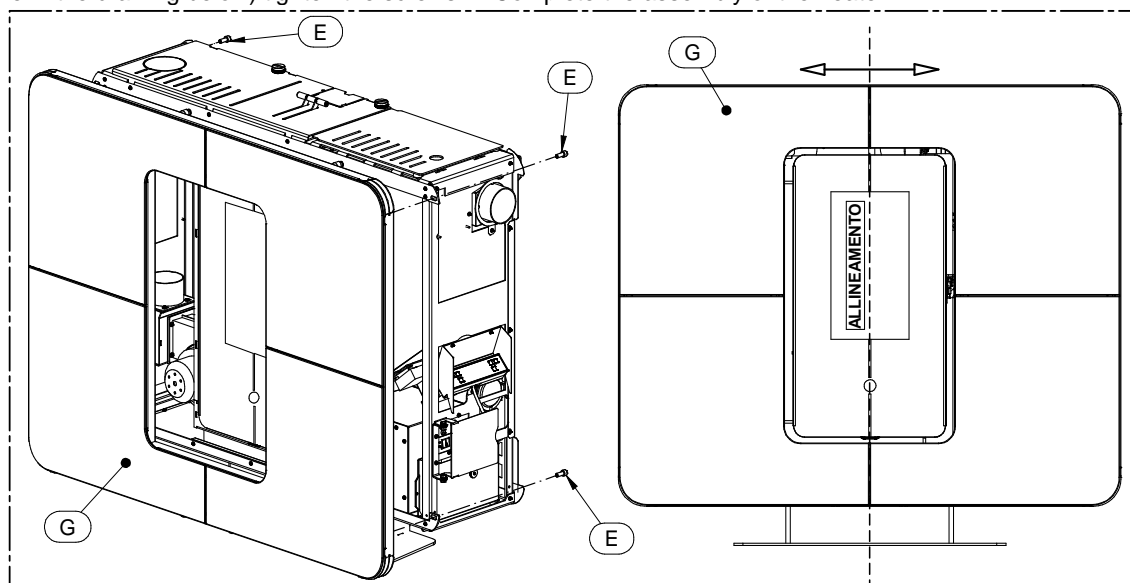
Once you have decided on the venting option that you wish to use, remove the relevant precut shape. For this operation it is recommended to use a blade for iron to prevent damaging the metal cover.

For instructions on how to install the smoke outlet in the wall, refer to the technical drawings indicated in the “technical characteristics” in paragraph 2.



4.5 REMOUNTING THE FRONT PANEL

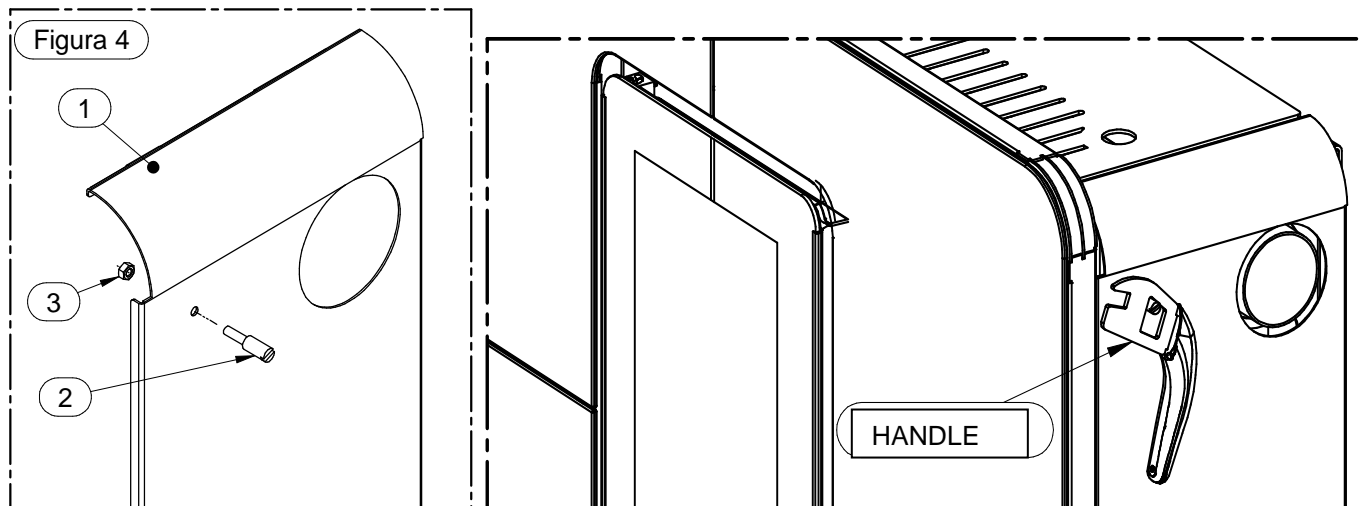
Once the appliance has been installed, the next step is to remount the front panel. Re-attach the front panel G to the body of the appliance and lightly screw in the screws E (do not tighten). After checking that the front panel is aligned with the door (see the alignment line in the drawing below) tighten the screws E. Complete the assembly of the heater.



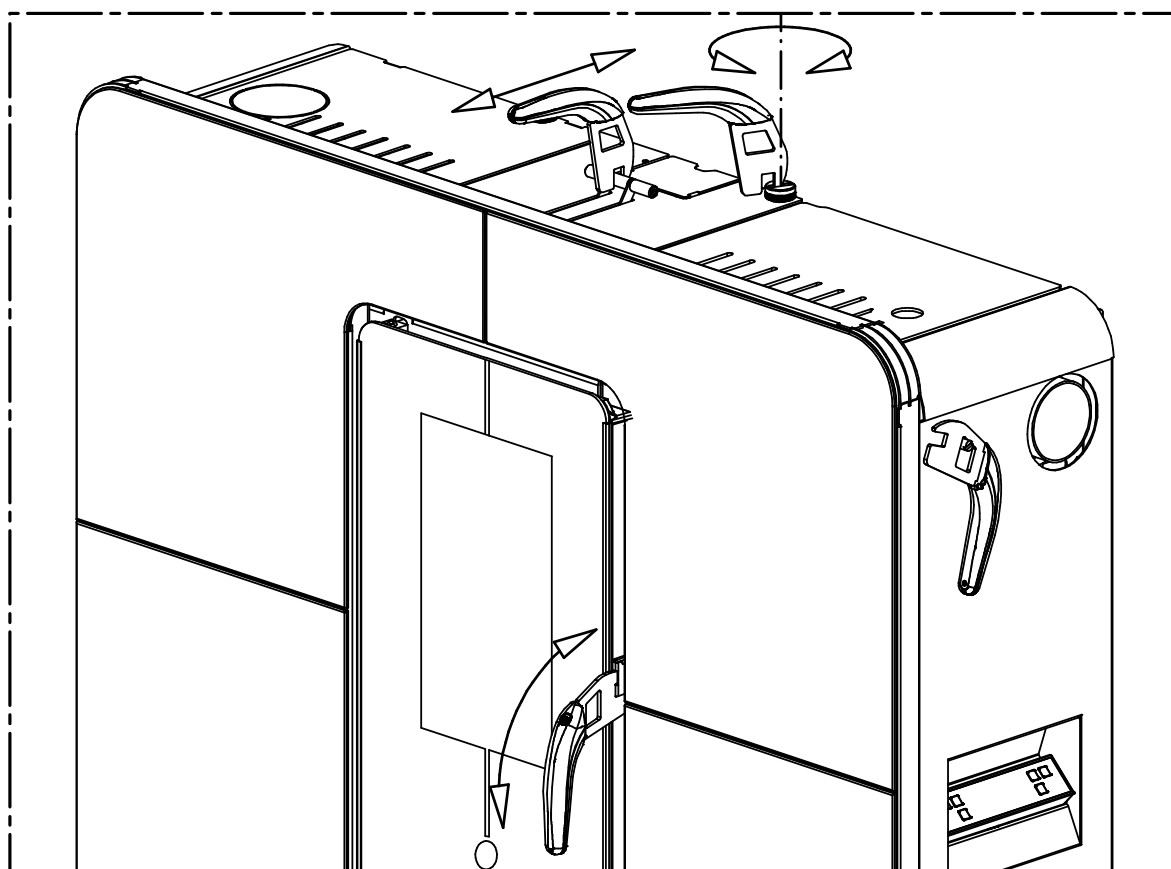
ALLINEAMENTO = ALIGNEMENT

4.6 HANDLE

Your appliance is supplied with a handle for opening and closing the firebox door to facilitate cleaning (see paragraph 8). The handle is also designed to be used for regulating the ducting flow rate. When not in use, the handle can be stowed on the side of the appliance if the hook provided is attached to the stove. (see Figure 4).



To mount the hook, remove the right side panel 1 of the heater (see paragraph 4.3), position the hook 2 in the hole and lock with the nut 3. Replace the side panel 1.

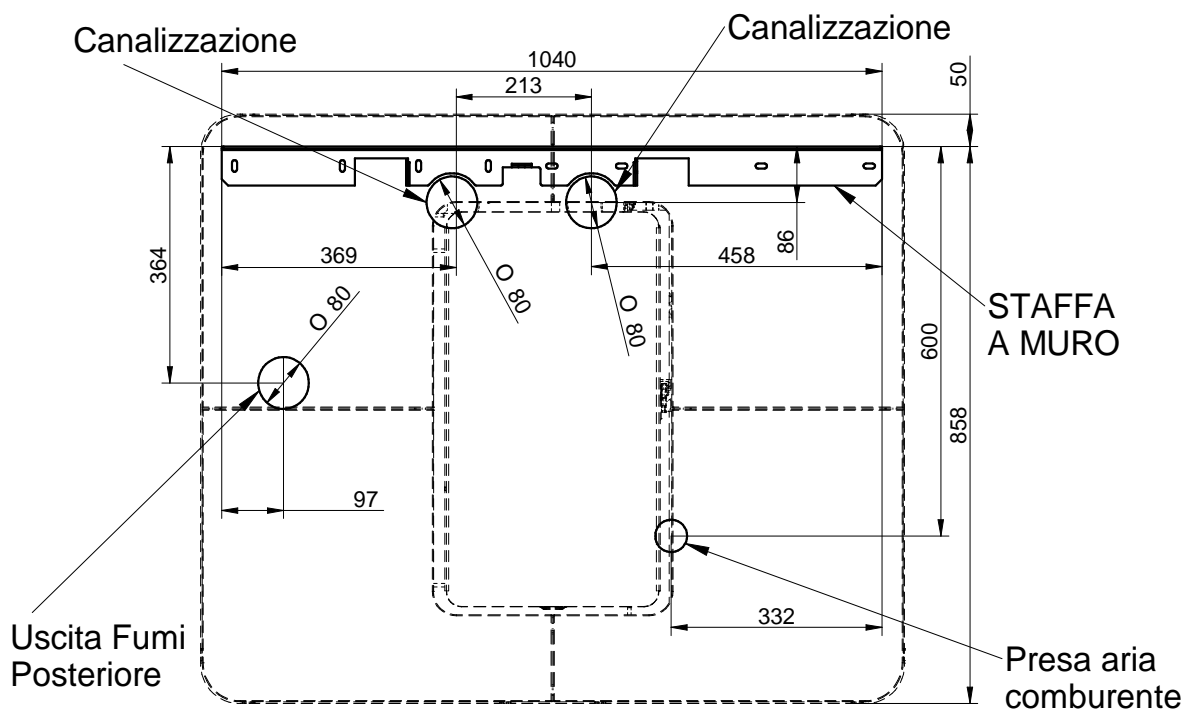
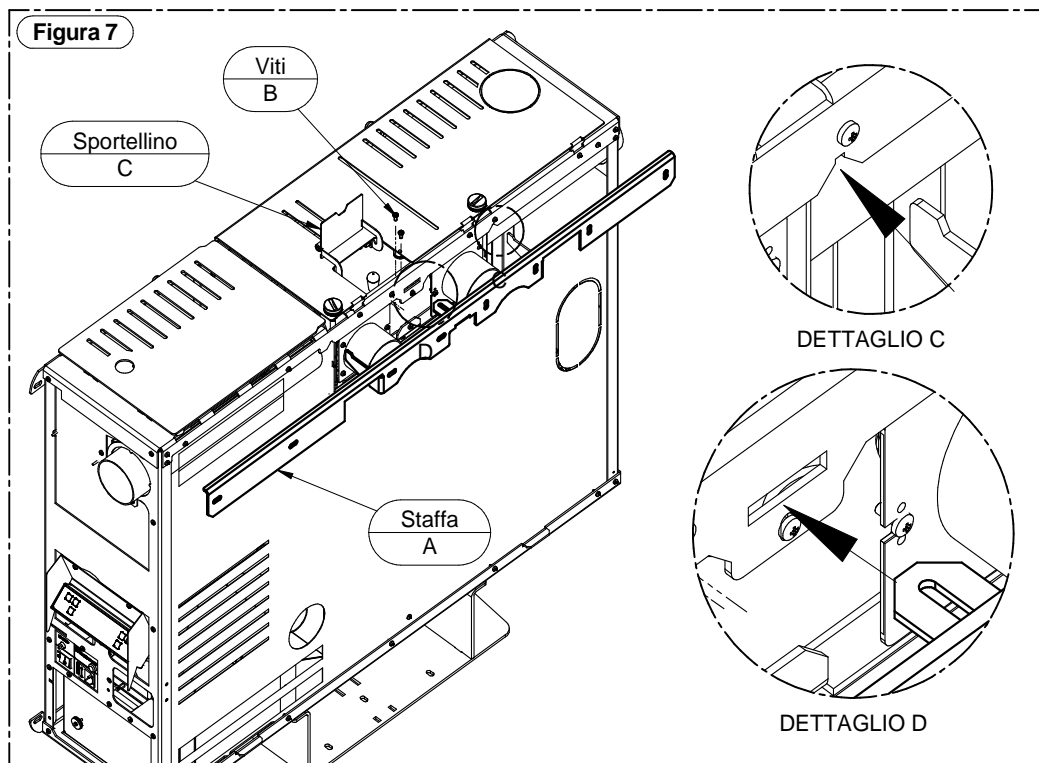


4.7 WALL MOUNT INSTALLATION

The appliance is supplied standard with a wall mount bracket.

To install the appliance on the wall firstly remove the left, right and front panels (see instructions in paragraph 4.3).

Remove the bracket A by undoing the two screws B which can be accessed by lifting the door C. For instructions on how to fasten the bracket to the wall refer to the drawing in Figure 8.



LEGENDA	KEY
Figura	Figure
Viti	Screws
Sportellino	Door
Dettaglio	Detail
Staffa	Bracket
Canalizzazione	Channelling
Uscita fumi posteriore	Rear smoke outlet
Presa aria comburente	Combustion air intake
Staffa a muro	Wall bracket

Hang the unit on the wall bracket A; once the appliance is suspended, push it firmly against the wall and tighten the screws B. When carrying out this operation, take care to match up the support hooks (See details C and D in Figure 7). Once you have completed this operation, remove the base by undoing the 4 screws that fix it to the structure of the appliance. It is recommended to tighten the screws in the appliance once the base has been removed. Next assemble the front panel and the left and right side panels.



ATTENTION: considering the weight of the appliance, it is recommended to use anchor bolts suitable for the type of wall to which the appliance is mounted.



ATTENTION: it is necessary to ensure that the wall plaster and finish can resist a working temperature of 80 °C. Given the working temperatures of the appliance it is normal for the wall to blacken, particularly if it is a light colour, after a season of operation.

5 – DESCRIPTIONS OF CONTROLS

There are two main control pushbuttons marked with the ventilation symbol (2) and the symbol of the flame (1). The flame pushbutton (1) sets the power of the appliance with 5 levels available which are activated as the 5 bars light up in sequence on the display (7). The off cycle is activated when all power bars are turned off. The fan button (2) controls the ventilation of the appliance. It is activated when the smoke, detected by the smoke probe, reaches a temperature over 60°C.

The fan can be set to any of 6 speed levels displayed by the 6 bars progressively coming on on the display (7): when the appliance is on the ventilation cannot be switched off.

5.1 DESCRIPTION OF THE CONTROL PANEL AND BACK PANEL

5.1.1 DESCRIPTION OF THE CONTROL PANEL

All controls and indicators are presented here below:

(1) Appliance on/off and flame adjustment button When you press this button the appliance switches to **START/WORK/ OFF** (appearing on the display 7). Press repeatedly to activate up to 5 bars on the display (7)

(2) Ventilation setting button Press this button to set the desired level of ventilation: you can select up to a maximum of 6 speeds, acknowledged by the corresponding bars lighting on the display (7). One bar is always lit up even in OFF status.

(3) (4) Auxiliary setting buttons

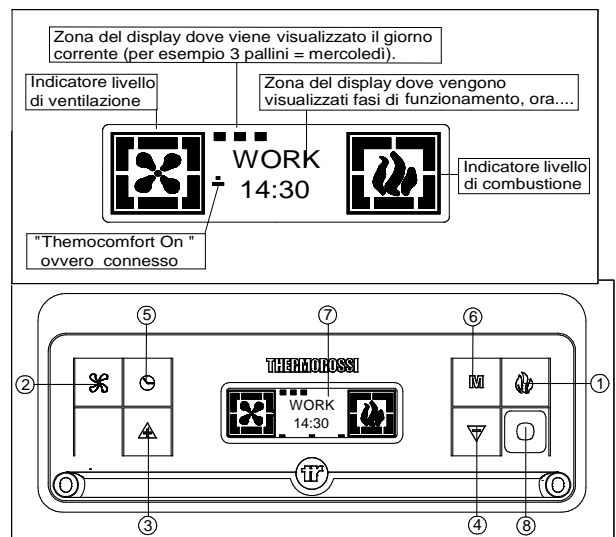
Keys (3) and (4) are operating buttons necessary when on-off cycles are programmed, for operative levels, clock setting, etc..

(5) Programming Enable / Disable / Chrono Reset buttons

(6) "MENU" selection button To access the main menu press the button marked with 6. Press button 6 repeatedly to scroll the various windows: date, programming setting,...

(7) Display

(8) Infrared remote control sensor



LEGENDA	KEY
Zona del display dove viene visualizzato il giorno corrente (per esempio 3 pallini = mercoledì)	Display area in which the current day is displayed (for example, 3 dots = Wednesday)
Indicatore livello di ventilazione	Ventilation level indicator
Zona del display dove vengono visualizzati fasi di funzionamento, ora...	Display area in which the operation steps are displayed, time...
Indicatore livello di combustione	Combustion level indicator
"Thermocomfort On" ovvero connesso	"Thermocomfort On" i.e. connected

5.1.2 RH SIDE PANEL OF THE HEATER

A description of the functions of the buttons and LEDs on the rear panel:

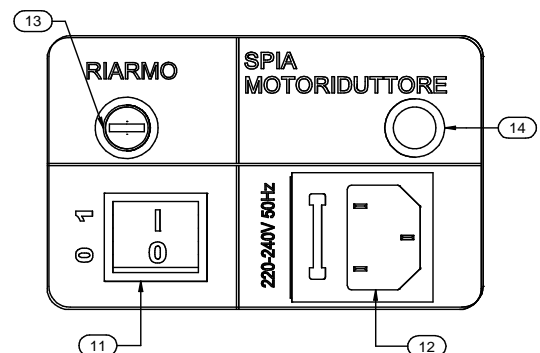
(11) Main switch 0-1

(12) Electrical power outlet 220-240V 50 Hz.

(13) Overtemperature reset thermostat button cap

In the event of overtemperature this safety thermostat stops the loading of pellets. To restart the appliance you need to wait until it cools down, then verify the cause for the overheating, remove the cause, unscrew the protective cap and press the button (13).

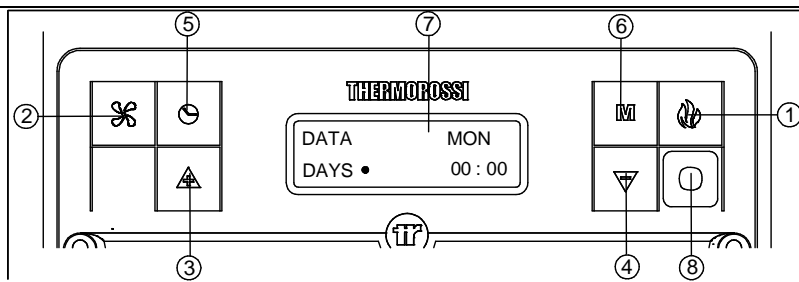
(14) Feed motor test indicator light When the pellet screw feeder is set in motion the light must come on.



LEGENDA	KEY
Riarmo	Reset
Spia motoriduttore	Ratio motor led

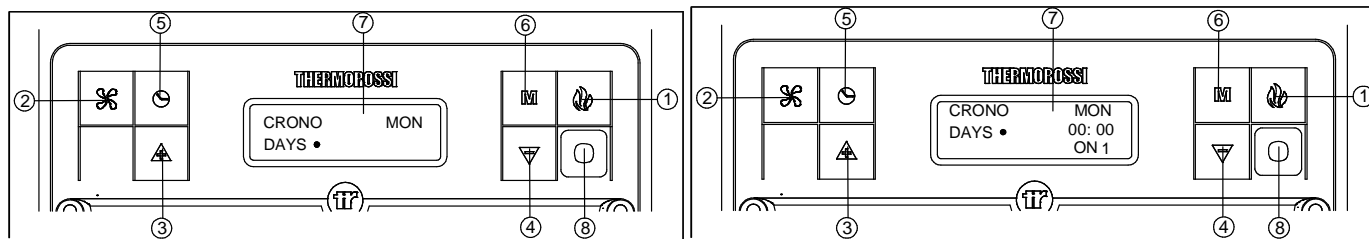
5.2 DAY AND TIME SETTING

The appliance must be energised and the rear switch in position "1". The words **START** or **WORK** or **OFF** could be present on the display (7). To set the time and the day of the week carry out the procedures described below. Press button (6) once; the word **DATA** will appear on the display followed by the words illustrated in the figure on the left. To set the day press arrow button (3) and/or (4) repeatedly until the desired day appears: (MON and one dot for Monday -- TUE and two dots for Tuesday -- WED and 3 dots for Wednesday -- THU and 4 dots for Thursday -- FRI and 5 dots for Friday -- SAT and 6 dots for Saturday -- SUN and 7 dots for Sunday). Then confirm the day by pressing the key (1). The 2 digits representing the hours will start flashing in the display: it is possible to select the present hour using the arrow keys (3) and/or (4), the selection must be confirmed by pressing key (1). The 2 digits indicating the minutes will start flashing: it is possible to select the present minutes using the arrow keys(3) and/or (4), the selection must be confirmed by pressing the key (1). The day and time setting is now completed.



5.3 ON/OFF PROGRAMMING

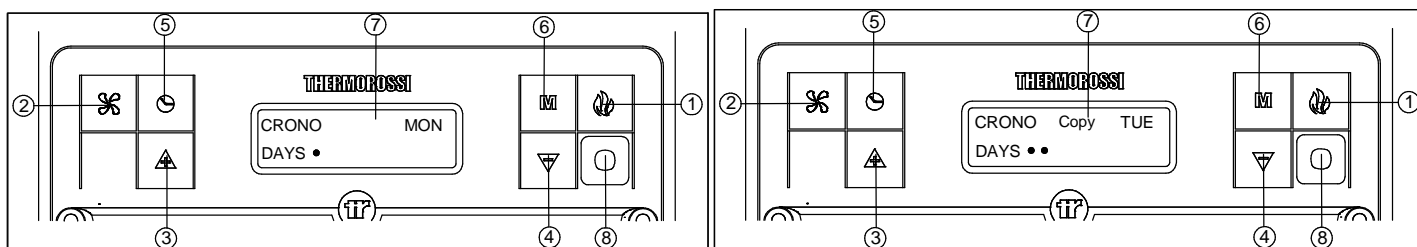
The generator must be energised and the rear switch in position "1". The words **START** or **WORK** or **OFF** could be present on the display (7).



It is possible to carry out the weekly programming by setting up to 3 on/off cycles for each day from Monday to Sunday. To program the heater press button (6) twice until the word **CRONO** appears followed by the words illustrated in the figure above on the left. Now you can begin programming the first day of the week - Monday - by pressing button (1). Press the arrow button (3) and/or (4) to choose another day to be programmed, to confirm the selection press button (1) again. The words **ON1** will appear on the display followed by 2 blinking digits indicating the hours (figure above right). Press button (3) and/or (4) to enter the hour of the first cycle start time. To confirm the selection press the button (1). The 2 digits indicating the minutes will start flashing. Press button (3) and/or (4) to enter the minutes of the first cycle start time. To confirm the selection press button(1).The first start up time for the selected day has now been set. Then the inscription **OFF1** will appear in the display and the two digits representing the hours will turn on. When the (3) and/or (4) button is pressed the hour of the first off-cycle is entered. To confirm the selection press the button (1). The 2 digits indicating the minutes will start flashing. By pressing the button (3) and/or (4) the minutes for the first off-cycle will be entered. To confirm the selection press the button (1). This concludes the setting of the first on-off cycle for the selected day. Later, it is possible to set the second on-off cycle (e.g. Monday) (shown with the display of **ON2** and **OFF2**) and the third Monday's on-off cycle (shown with the display **ON3** and **OFF3**). Next the display appears as illustrated in the figure above on the left. Press the arrow button (3) and/or (4) to choose another day to be programmed, to confirm the selection press button (1) again.

If you wish to copy all the on-off programs, for example the Monday settings, to the other days of the week, proceed as follows: press button(6) until the word "CRONO" appears followed by the screen illustrated in the figure below on the left. Next press button (2) and the display appears as illustrated in the figure below on the right: the program for Monday has been copied to Tuesday. Press button (2) again to copy the program to Wednesday, Thursday

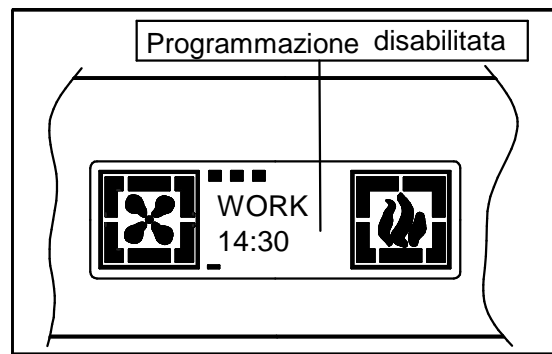
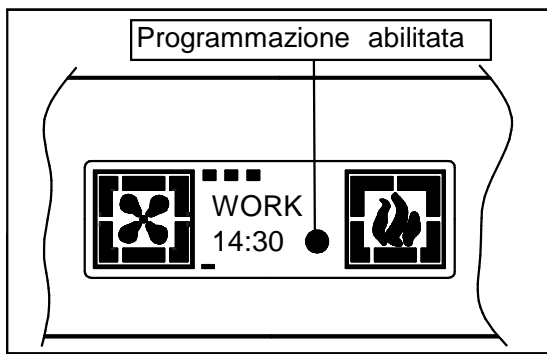
In the programming menu if you wish, for example, to edit the programming for Sunday press button (3) and/or (4) to go to Sunday and then press button (1) . If the second on-off cycle is not required simply set the ON2 time as 00:00 and the OFF2 time as 00:00 .



The programming procedure ends when you confirm the last data entered by pressing button (6) or when you exit the programming menu. During the **START** or **WORK** or **OFF** phases press button (5) to enable / disable the programming (Enabled = **CR.ON** appears momentarily on the display together with the fixed presence of the chrono symbol on the right of the display - see picture below). Disabled: message **CR.OFF** temporarily displayed and, at the same time, the chrono symbol on the right side of the display is not present (see figure below): this function is useful if you wish to disable the established weekly program setting. Moreover, you can reset, or delete, all the programmings by holding down (in **OFF** or **START** or **WORK** phase) button (5) for approximately 8 seconds; the word "RESET CRONO" appears momentarily in order to indicate deletion of all the programmings previously set. With the programming active, the operating conditions at the start-up (combustion power – ventilation speed) are the same as set-up before the last off-cycle of the appliance: this is the case if the off-cycle has been done through the programming and not through a manual action. Manual shut down can only be carried out with the programming disabled. After shut down, by re-enabling the programming, at the next start up controlled by the programming the appliance will be set at the first combustion power position and first ventilation speed.



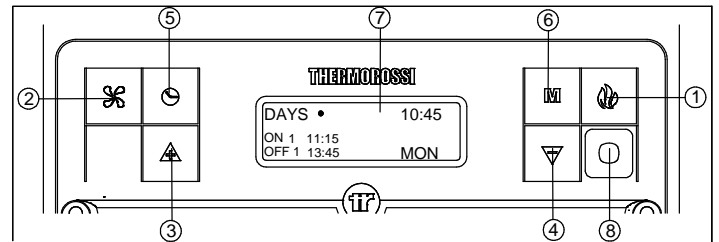
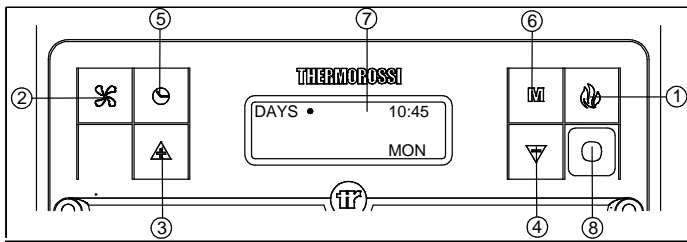
In the event of a programmed cycle on always ensure that the brazier is clean and seated correctly in its lodging: failure to clean the brazier can reduce and/or affect the life of the spark plug as it would be subjected to high temperatures due to poor cooling. When the programming is enabled (**CR.ON** appears momentarily together with the fixed presence of the chrono symbol on the bottom of the display) any additional chronothermostats (see para. 7.2) are disabled.



Legenda	Key
Programmazione abilitata / disabilitata	Programming enabled / disabled

5.3.1 ON-OFF PROGRAMMING DISPLAYS

To view the programmings press button (6) 5 times until the words "Show Chrono" appear. After a few seconds the display appears as illustrated in the figure below on the left. Press button (3) repeatedly to scroll the programmings for all the days of the week (see figure below on the right) : press button (6) to exit.



Caution: the on-off programmings cannot be modified from the "SHOW CRONO" menu, this menu is used only for viewing the programs that have been entered and/or edited through the "CRONO menu".

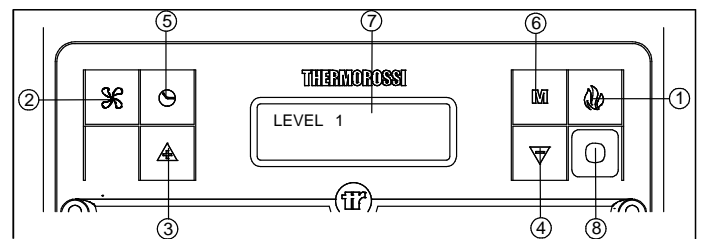
5.4 OPERATING LEVEL SETTING

The appliance must be energised and the rear switch in position "1".

The words **START** or **WORK** or **OFF** could be present on the display (7).

Your appliance is delivered with an excellent program installed that favours combustion yield; the program is called

LEVEL 1. If you are using pellets with an out-of-standard incidence of residues after combustion in the brazier, alternative levels may be selected:



LEVEL 2: this program increases the smoke suction unit speed acceleration (program Level 2 increases air delivery to the burner which promotes the combustion of tightly compacted pellets: this program reduces combustion efficiency).

LEVEL 0: when using too long pellets and/or flue outlets with very high vacuum, over 2 Pascal. When operating at LEVEL 0 the burner becomes dirty very easily. The pellet consumption value is not affected by the operating level settings. Select the required level by acting as follows:

press button (6) three times until the word LEVEL appears on the display after which the level set will appear (LEVEL 1 or LEVEL 2 or LEVEL 0). In order to change the operating level as key (3) is kept pressed, press the key (4). By holding down button (3) and pressing button (4) repeatedly the level changes in the following sequence: LEVEL 2... ..LEVEL 0 ... LEVEL 1.



If the change is made while the appliance is running the difference in the flame will be apparent. It is mandatory to pay particular care when selecting the most appropriate operating cycle for your installation. After the selection of the operating cycle a thorough cleaning of the brazier is mandatory. For the entire procedure to be confirmed and to move back to the appliance status display, key (6) must be repeatedly pressed.

6 – USE OF THE APPLIANCE



Your appliance has obtained the CE marking and has been made to run for 1 hour to check that it functions correctly. It has also undergone numerous tests as detailed in the test check sheet supplied with the generator. The product must not be used by children, by persons with physical or mental impairments, by persons who are not familiar with the instructions for use and maintenance of the product (the instructions are found in this booklet). CAUTION: Before each use make sure that the burner is clean and positioned correctly in its lodging, check that the ash pans are clean and shut tight and check that the firebox door is locked. WARNING: the door must always remain shut tight when the heater is operating. It is strictly forbidden to open the door while the appliance is in operation. While the appliance is in operation the smoke exhaust pipes and the appliance itself can reach extremely high temperatures: do not touch them! Do not expose your body to hot air for long, do not overheat the room in which the appliance is installed, as these actions could cause health problems. Do not expose plants or animals directly to the hot air flow as this could have noxious effects on them. It is strictly forbidden to use any type of fuel (liquid, solid...) to light the appliance : the appliance must light up automatically as designed and described in this installation, use and maintenance booklet; in this regard, it is strictly prohibited to pour pellets (or other material) directly into the brazier. Do not place non-heat resistant or inflammable or combustible objects in the vicinity of the appliance: keep them at a suitable distance. Do not place wet clothing to dry on the appliance.

When using a clothes horse, keep at a suitable distance. It is strictly prohibited to disconnect the appliance from the electrical power mains while it is in operation.

6.1 SWITCHING ON THE APPLIANCE

Before using the appliance check that all the movable parts are in place; also remove any labels and stickers from the glass to avoid having permanent traces remain on the surfaces. Always ensure that the brazier is clean and seated correctly in its lodging (see para. 8).

Turn the switch installed on the back of the appliance to position "1" (= ON). Press button (1) to start the start up phase. When key (1) is repeatedly pressed, the desired combustion level can be set and it will be active at the end of the ignition stage. The electrical heater will start to overheat and after a few minutes the first lot of pellets will start dropping into the brazier. This occurs because the screw feeder has to fill up because it is completely empty. The first time the appliance is started up the start up phase will have to be carried out twice for this very reason.



CAUTION: The start up phase (the word **START** appearing on the display) continues until the word **START** remains lit. Once this phase has ended the word **WORK** appears on the display. The fan will begin operating as soon as the combustion smoke reaches a suitable temperature. During the work stage it is then possible to adjust combustion and the ventilation:

The combustion can be adjusted by 5 bars through button (1)), the ventilation setting can be set on 6 levels indicated by the sequential lighting up of the corresponding bars on the display (through button (2)).

To turn the appliance on it is necessary for the inscription **OFF** to be present on the display: if it is not present, the key (6) must be repeatedly pressed until the inscription **OFF** appears.

6.2 COMBUSTION AND VENTILATION ADJUSTMENTS

The heating capacity is adjusted by pressing key (1) or on the remote control provided. Act on this command to adjust the quantity of pellets fed to the firebox. Maximum combustion power is achieved when all 5 leds are lit.



Caution: the room fan starts up as soon as the temperature of the combustion smoke reaches a suitable threshold. The fan setting is expressed visually by means of 6 different positions represented by 6 bars: press button (2) repeatedly to regulate it. A slight vibration of the appliance is quite normal when it is running. One bar is always present on the display even in OFF status.

6.3 INFRARED REMOTE CONTROL

A practical infrared remote control is supplied with the heater: adjust the ventilation level by means of the left button, whereas use the right button to start the appliance, to adjust the power and combustion level and to switch off the appliance. If the appliance is supplied with a white radio control (optional) the infrared control only works when the **MANUAL** setting is set on the white handheld radio control.

6.4 OPERATION OF THE WHITE HANDHELD RADIO CONTROL THERMOCOMFORT (OPTIONAL)

INTRODUCTION

The Thermocomfort handheld radio control is the instrument that allows you to optimise both consumption and functions. Keep in mind that radio wave transmissions can be affected by the surrounding environment: the presence of thick walls can reduce the transmission that normally extends to 6-7 metres.

CAUTION: to guarantee optimal data transmission it is advisable to always place the radio control in its support in a vertical position.



The following operations must be carried out the first time the appliance is started up:

- Turn the switch (11R) to ON (see drawing below)
- Connect the radio control to the mains power supply by means of the supplied battery charger. The radio control must be recharged for at least 5 days, as the rechargeable batteries could be partially or completely empty. Repeat the same procedure every time the radio control batteries discharge.

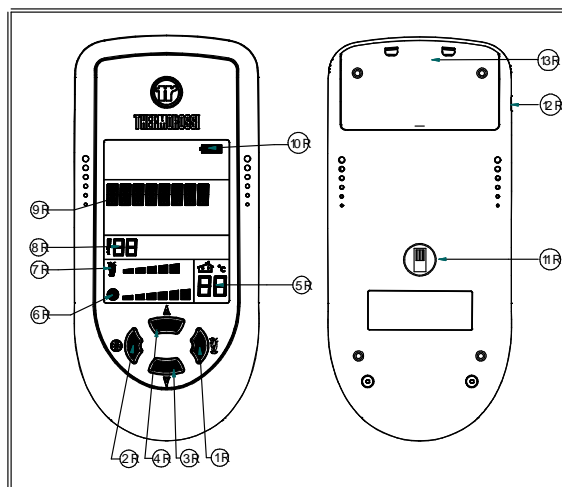


The appliance must be energised and the rear switch turned to position "1".

CAUTION: the Thermocomfort function is disabled when the remote control is OFF. To enable it, in the START, WORK, OFF phases, repeatedly press button (6) on the appliance's control panel until the word "THERMOCOMFORT" appears on the display (7) followed by the words Thermocomfort Off". To activate the Thermocomfort function simply press the button (3) on the appliance's control panel: " Thermocomfort On". To return to the original operating function simply press the button (6) again on the appliance's control panel. At the end of the winter season, in order to preserve the life of the batteries, it is mandatory to recharge the batteries and switch off the radio control completely by means of the switch located on the back (11R). The batteries are guaranteed for 6 months. When the batteries are exhausted dispose of them safely. It is normal for the temperature sensor to detect temperatures which are slightly different to the real ones: variations caused by the environment in which the radio control is positioned and by the tolerance of the thermostat.

6.4.1 INDICATORS OF THE HANDHELD RADIO CONTROL

- (1R) Flame selection button
- (2R) Ventilation selection button
- (3R) (4R) Auxiliary buttons
- (5R) "Room temperature detected by the radio control's sensor" indicator
- (6R) "Ventilation" indicator
- (7R) "Combustion" indicator
- (8R) "Room temperature setting" indicator: this is the room temperature that you wish to reach by means of buttons 3R and 4R.
- (9R) Area of the display where the operating program is displayed
- (10R) Battery charge level
- (11R) Switch 0-1 radio control power
- (12R) Battery charger connection
- (13R) Code selector and batteries compartment cover



The Thermocomfort radio control can be used with 4 different operating programs:

- **Manual (MANUAL** appears in area (9R) of the display).
- **Automatic 5 (AUTO 5** appears in area (9R) of the display).
- **Automatic 3 (AUTO 3** appears in area (9R) of the display).
- **Economy (ECONOMY** appears in area (9R) of the display).

To change the operating program turn the switch (11R) to "1". Press and hold down button (3R) until the set program begins to blink on the display (9R). Now release button (3R) and press button (3R) and/or (4R) repeatedly until you select the desired operating program.

MANUAL program (the "Thermocomfort ON" symbol blinks on the display of the appliance). In the MANUAL program the room temperature thermostat is disabled. Press button (1R) and the flame symbol begins to blink. Press button (3R) to decrease the combustion level by lighting up the bars sequentially, vice versa press button (4R) to increase the combustion level. The combustion level changes every time buttons (3R) and (4R) are pressed. Press button (2R) and the ventilation symbol blinks. Press button (3R) to decrease the combustion level, vice versa press button (4R) to increase the combustion level. The ventilation level changes every time buttons (3R) and (4R) are pressed. Caution: it is possible that, due to radio interference or sending commands too close together, the changes will not be implemented. With this program you can also use the infrared control supplied. It is normal that in the manual cycle the ventilation is often set at the maximum speed in order to cool the appliance body more effectively.

AUTO 5 program (the "Thermocomfort ON" symbol is steady on the display of the appliance) In program AUTO 5 the room temperature thermostat is enabled. The radio control adjusts the ventilation and the combustion automatically in relation to the target room temperature set in display area (8R). The desired room temperature appears in area (8R). You can vary the desired room temperature by simply pressing button (3R) and/or (4R) (variation indicated in area (8R)). The remote control will set the maximum combustion and ventilation levels and modulate them both as the room temperature (5R) approaches the target temperature (8R). When the target temperature (8R) in the room (5R) is reached, the combustion level will stabilise on a bar as will the ventilation level. Caution: it is possible that, due to radio interference, the commands sent to the generator will not be implemented. When using this program the infrared remote control cannot be used. Caution: the power and the ventilation depend on the preset value, if the required temperature is too high or not reachable the appliance could operate at maximum power for long periods of time.

AUTO 3 program (the "Thermocomfort ON" symbol is steady on the display of the appliance) In program AUTO 3 the room temperature thermostat is enabled. The remote control adjusts the ventilation and combustion automatically in relation to the target room temperature set in display area (8R). The desired room temperature is displayed in area (8R). You can vary the desired room temperature by simply pressing button (3R) and/or (4R) (variation indicated in area (8R)). The remote control will set the combustion power at level 3 and the ventilation at level 4 and modulate them both as the room temperature (5R) approaches the target temperature (8R). When the target temperature (8R) in the room (5R) is reached, the combustion level will stabilise on a bar as will the ventilation level. Caution: it is possible that, due to radio interference, the commands sent to the appliance will not be implemented. When using this program the infrared remote control cannot be used. Caution: the power and the ventilation depend on the preset value, if the required temperature is too high or not reachable the appliance could operate at maximum power for long periods of time.

ECONOMY program (the "Thermocomfort On" symbol is steady on the display of the appliance) In the ECONOMY program the appliance always operates at the minimum combustion level and the minimum ventilation level. When using this program the infrared remote control cannot be used.



CAUTION: THE APPLIANCE MUST ALWAYS BE STARTED UP AND SHUT DOWN FROM THE CONTROL PANEL OR THROUGH PROGRAMMING.

6.4.2 TRANSMISSION CODES SETTINGS

The appliance must be energised and the rear switch in position "1". The words **START** or **WORK** or **OFF** could be present on the display (7).

If there are several appliances installed in rooms closely to each other it may be necessary to set different transmission codes as this type of interference deactivates operation of the optional Thermocomfort radio control. To change the transmission codes proceed as follows:

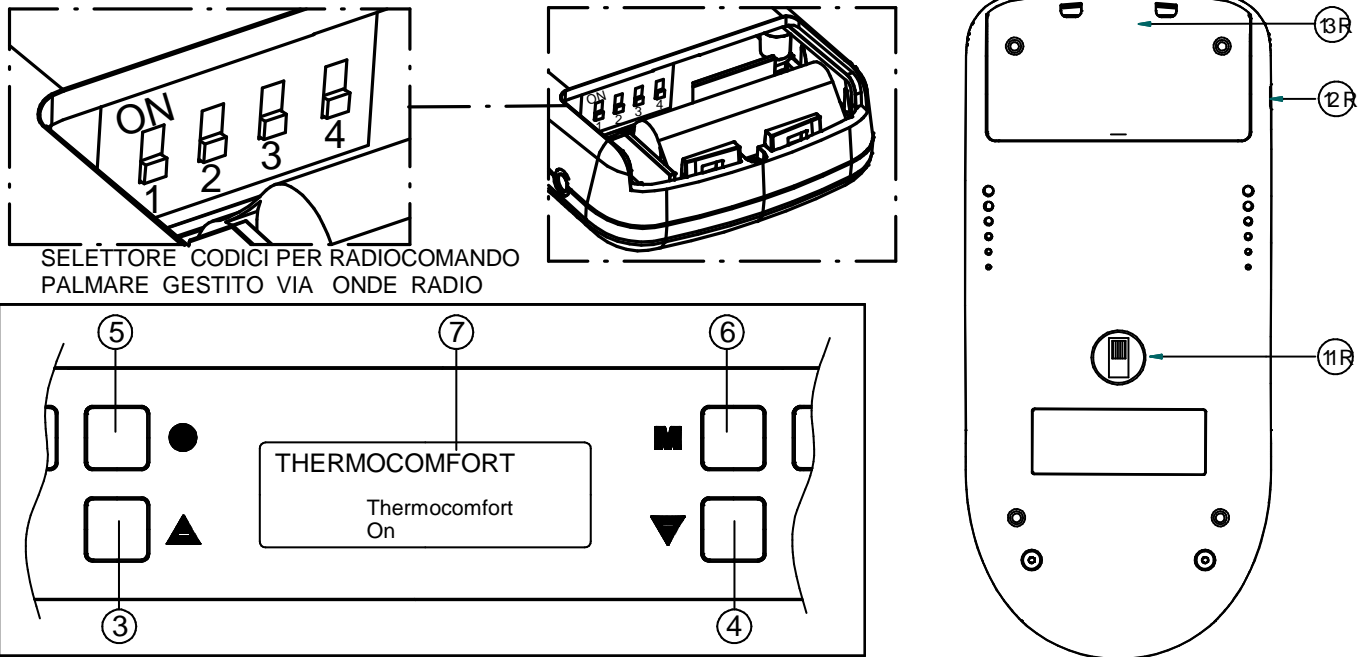
-Disable the Thermocomfort function. To disable it, in the START, WORK, OFF phases, repeatedly press button (6) on the appliance's control panel until the word "THERMOCOMFORT" appears on the display (7) followed by the words Thermocomfort On". To deactivate the Thermocomfort function simply press the button (3) : "Thermocomfort Off". To return to the original operating function simply press the button (6) again.

-Switch off the Thermocomfort radio control by pressing the button (11R) on the device.

-To change the transmission codes, open the cover (13R) and act as indicated in the figure below.

-Next switch on the radio control by pressing the button (11R).

-Activate the Thermocomfort function. To enable it, in the START, WORK, OFF phases, repeatedly press button (6) on the appliance's control panel until the word "THERMOCOMFORT" appears on the display (7) followed by the words Thermocomfort Off". To activate the Thermocomfort function simply press the button (3): "Thermocomfort On". To return to the original operating function simply press the button (6) again. The radio control may still not function even after having changed the transmission codes. If this occurs change the codes once again using the procedure described above.



LEGENDA	KEY
Selettore codici per radiocomando palmare gestito via onde radio	Code selector for handheld radio control controlled by radio waves

6.4.3 CARE AND MAINTENANCE OF THE RADIO CONTROL

The radio control has been designed and produced to the strictest standards and must be handled with great care. If you observe the guidelines set out below, the radio control will provide a long trouble-free performance:

- Protect the radio control against humidity! Precipitation, humidity and liquids corrode the electronic circuits. If the radio control is wet, disconnect it immediately from a power source, remove the battery, open it and allow it to dry at room temperature.
- Do not use or store the radio control in dusty or dirty environments. The dust/dirt could damage the movable parts of the radio control.
- Do not store the radio control in very hot environments. High temperatures could shorten the life of the electronic devices, damage the batteries and deform or even melt plastic parts. Do not store the radio control in cold environments. When it heats up (when it returns to normal operating temperature), humidity could form inside it and damage the electronic circuits.
- Do not drop the radio control, do not hit or bump it and do not shake it. Actions such as these could damage the internal circuits of the device.
- Do not use corrosive chemical substances, caustic solutions or detergents to clean the radio control.



All the above guidelines apply to the radio control, the battery, the battery charger, and all the accessories. The parts subject to wear (such as batteries, keypads, lodging compartments, small compartment parts) are guaranteed for 6 months from the purchase date. The guarantee does not apply if the defect is caused by non-conforming use and/or if the instructions and guidelines described above are not observed to the letter. Devices or parts returned for replacement become the property of Thermorossi S.p.A. The presence of any irregular black-blue lines on the display, also present when de-energised and/or battery flat or missing, indicate that the glass screen of the display is damaged following a fall or impact: in this case the breakage is not covered by the guarantee.

6.5 CHANNELLING



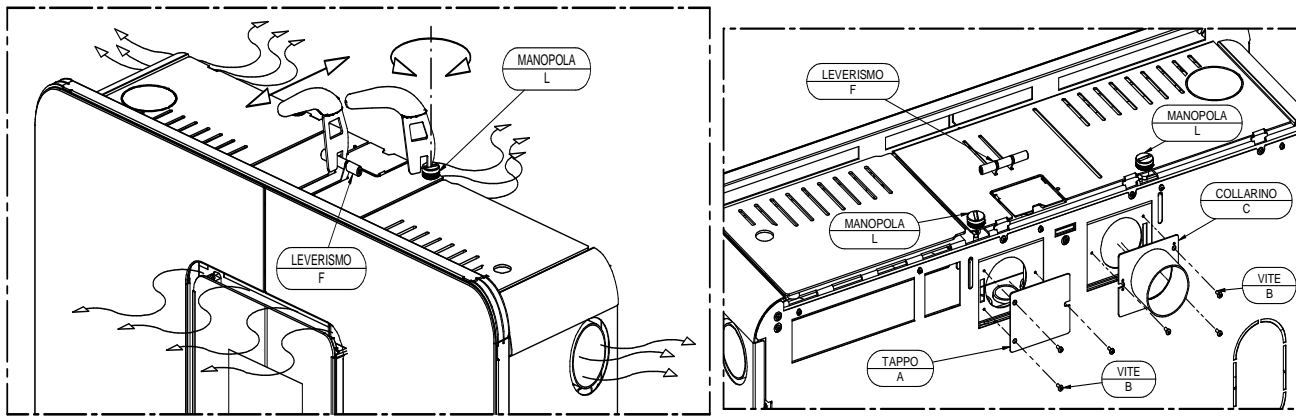
To obtain an optimal flow of ducted hot air it is advisable to comply with the following instructions:

- Avoid narrow or reduced sections, sharp curves, downhill runs in the tubing.
- Reduce the horizontal runs as much as possible.
- Use pipes with smooth inner surfaces made of material capable of resisting continuous temperatures of 150°C.
- Insulate pipes with mineral wool (resistant to at least 150°C).

If you follow the instructions given above it is possible to channel:

- up to 16 metres using 1 vent (front vent closed)
- up to 8 metres using 2 vents (front vent closed)
- up to 6 metres using 3 vents (front vent closed)
- up to 4 metres using 4 vents (front vent closed)

The appliance is supplied with both rear duct vents blocked. If you wish to use these duct vents, remove the two rear covers A by undoing the screws B. Position the two supplied ducting collars C and fix with the screws B.



LEGENDA	KEY
Manopola	Knob
Leverismo	Lever
Collarino	Collar
Tappo	Plug
Vite	Screw

The air can be distributed from the front, side or back.

- To adjust the front and side/rear outflow rate act on the lever F
- To adjust left/right side and rear air flow rate act on the knobs L.



CAUTION: when the heater is running the channelling adjuster knobs are extremely hot to the touch. Consequently it is mandatory to use the handle or similar tool to adjust them.

CAUTION: if the two rear vents are not used it is strictly forbidden to close the side vents with the lever F. This operation could result in personal injury or damage to objects and the heater components.

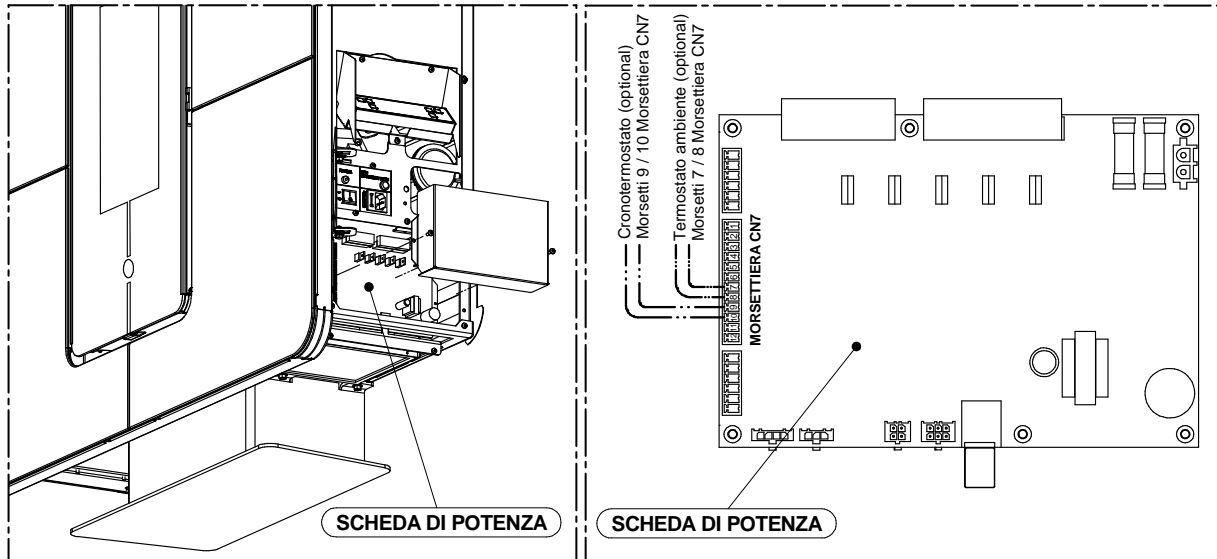
**7 - ADDITIONAL ROOM TEMPERATURE THERMOSTAT (not supplied)
 ADDITIONAL CHRONOTHERMOSTAT - MODEM (not supplied)**



Your appliance is already fitted, through the control panel, with all the temperature adjustment and programming functions. However, it is possible to connect the appliance to an additional room temperature thermostat or chronothermostat:

---> for an additional room temperature thermostat connect terminals 7-8 directly to terminal block CN7 on the board as illustrated in the figure below.

---> for an additional chronothermostat – modem connect terminals 9-10 directly to terminal block CN7 on the board as illustrated in the figure below.



LEGENDA	KEY
Scheda di potenza	Power board
Cronotermostato (optional)	Chronothermostat (optional)
Morsetti 9 / 10 Morsettiera CN7	Terminals 9 / 10 Terminal block CN7
Termostato ambiente (optional)	Room thermostat (optional)
Morsetti 7 / 8 Morsettiera CN7	Terminals 7 / 8 Terminal block CN7



Contacts are defined as "CLEAN" contacts and they must never be fed with 220 V. It is strictly prohibited to supply any tension whatsoever to the above-mentioned terminals as this would permanently damage the control board. Damage resulting from failure to observe these instructions is not covered by the WARRANTY.

7.1 OPERATING WITH THE ADDITIONAL ROOM TEMPERATURE THERMOSTAT (not supplied)

An additional room temperature thermostat can be installed by connecting it to the board as indicated in Figure 1. The operating principle is as follows:

-When the room temperature reaches the set temperature (only during the WORK phase) the thermostat closes the contact and the appliance shifts to the minimum room fan speed and minimum combustion power. This condition is indicated on the display by the blinking ventilation bar and combustion bar: the appliance ignores all commands transmitted to it. By using the room temperature thermostat the appliance does not shut down, therefore electrical energy consumption is kept to the minimum and the appliance has a longer life. When the room temperature drops the thermostat opens the contact and the appliance returns to its original position in terms of thermal power and ventilation. In this position the appliance can be started up automatically via the programming.



CAUTION: Use N.O. (normally open) contacts for the connection to the additional room temperature thermostat. The thermostat must have a thermal hysteresis that is not less than 2°C.

7.2 OPERATING WITH THE ADDITIONAL CHRONOTHERMOSTAT (not supplied)

As an alternative to the room temperature thermostat, a chonothermostat can be installed by connecting it to the board as indicated in Figure 1. Using this output when the chronothermostat contact closes the START cycle begins, whereas when the contact opens the OFF cycle begins. The operating level at start up (combustion power - fan speed) is the same as the level used before the last time the appliance shut down.

CAUTION: when using the chronothermostat program up to a maximum of 3 on-off cycles without setting the desired target temperature or set it at the highest possible value for the chronothermostat.

At the end of the preset time the contact will open and perform the appliance shut down process. Similarly at the preset startup time the contact will close and initiate the START cycle. The chronothermostat can be used to program start up and shut down times and dates for the appliance. It is therefore possible to program a momentary shut down of the appliance according to the preset time.

Do not shut down the appliance according to the room temperature.

It is mandatory to deactivate the "Crono" symbol on the display (see para. 5.3) if an external chronothermostat is used.

CAUTION: The manufacturer denies all responsibility for the life of the electrical heater if subjected to excessive start ups. It is recommended not to set the desired room temperature or to set it at the highest possible value for the chronothermostat in order to avert this danger.



CAUTION: Use N.O. (normally open) contacts for the connection to the chronothermostat.

CAUTION: In the event of connections to the chronothermostat Thermorossi shall not be held responsible for the appliance not starting up, smoke leaks, breakage of the lighting component. In the event of a programmed cycle on always ensure that the brazier is clean and seated correctly in its lodging. A maximum of 3 on-off cycles per day are permitted. The chronothermostat must have a thermal hysteresis that is not less than 2°C.

8 - CLEANING AND MAINTENANCE

8.1 FOREWORD



Before commencing any operation disconnect the appliance from the electric power outlet. Your pellet appliance needs maintenance; it requires a few simple, basic but frequent control and general cleaning operations. This will guarantee safe and regular operation and optimal output at all times. If the product is unused for a prolonged period of time it is mandatory to inspect the smoke channel and outlet to ensure that there are no obstructions before use. It is necessary to accurately follow the directions given below: otherwise severe damages may occur for the product, the installation, objects and the people who use the generator. Failure to observe cleaning and maintenance instructions will immediately void the warranty



Warning: do not wet the appliance and do not touch the electrical parts with wet hands. Never vacuum hot ash: this could damage the vacuum device. All the cleaning operations described in this manual must be carried out when the appliance is cold.



8.2 CLEANING AND MAINTAINING THE APPLIANCE

The cleaning and maintenance operations can be carried out by the user.

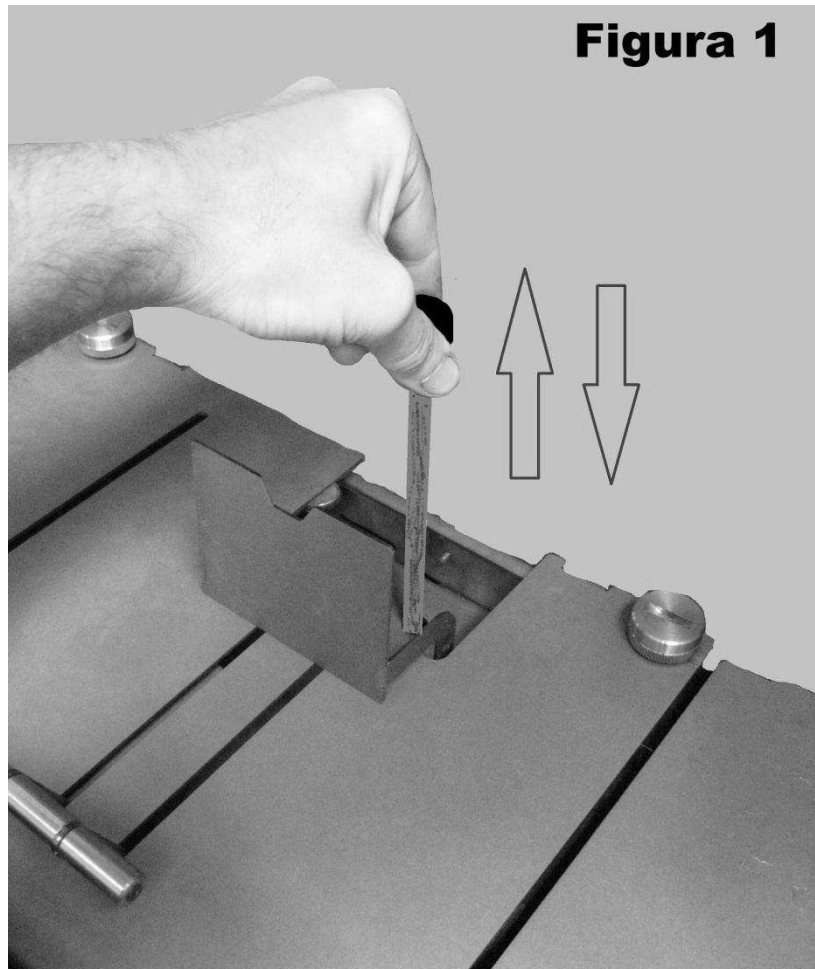


Figura 1

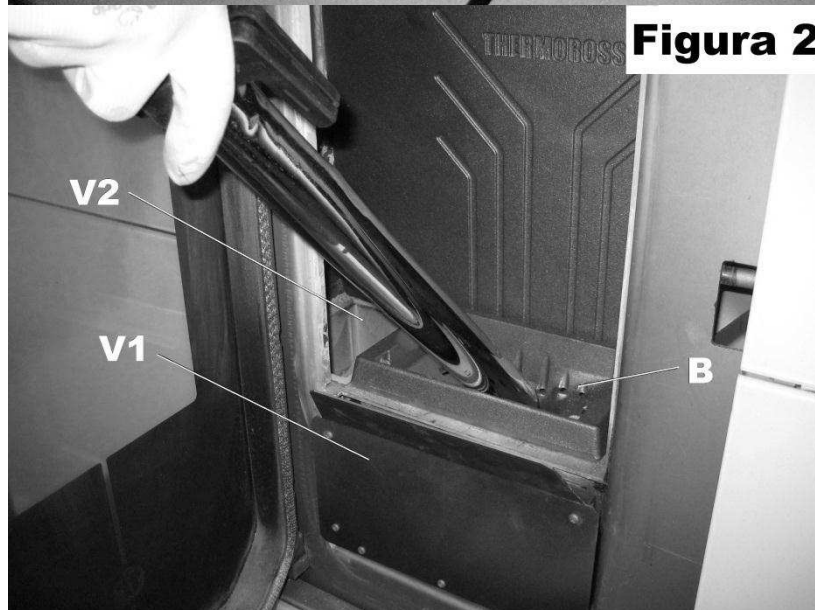


Figura 2

EVERY DAY remove the brazier **B** from its lodging and clean out the combustion residues. Remount the brazier **B** and blade (Figure 2A) correctly making sure that the hole of the brazier matches up with the spark plug (Figures 2 and 4). To open and close the door use the tool provided (see para. 4.6). Figures 2 and 4 show a clean brazier.

CAUTION: make sure, before every start up, that the brazier is clean and if necessary also thoroughly clean it with a suction unit. To guarantee correct operation of the appliance, carefully clean the area around the spark plug: This is to ensure correct operation of the appliance and to prevent lighting failures.

CAUTION: in the event of a failed lighting cycle, before relighting the appliance make sure that the brazier is empty and clean.

EVERY 3 DAYS lift and drop the tube scraper rods several times (Figure 1); to access the tube scraper rods you need to firstly remove the cover which is situated in the top part of the appliance.

EVERY 5 DAYS clean the room air filter located at the bottom of the appliance (Paragraph 8.3).

EVERY WEEK clean out all the ash from the ash pans **V**, **V1** and **V2** (Figure 2 – 3 – 4 - 5 – 8): to access pan **V** simply remove the brazier **B** from its lodging.

EVERY 2 WEEKS clean the smoke exhaust "T" at the appliance inlet, if installed. Inspect and clean the smoke exhaust "T", inside the appliance, by removing the inspection cap located on the left side of the appliance (Figures 9 – 10 – 11).

EVERY MONTH inspect and clean the vent identified as **V1**. To access the vent open the door, remove the ash pan and lift the flap **L** (Figure 8).

EVERY MONTH check that the smoke exhaust is free from fly ash deposits, particularly in the initial sections.

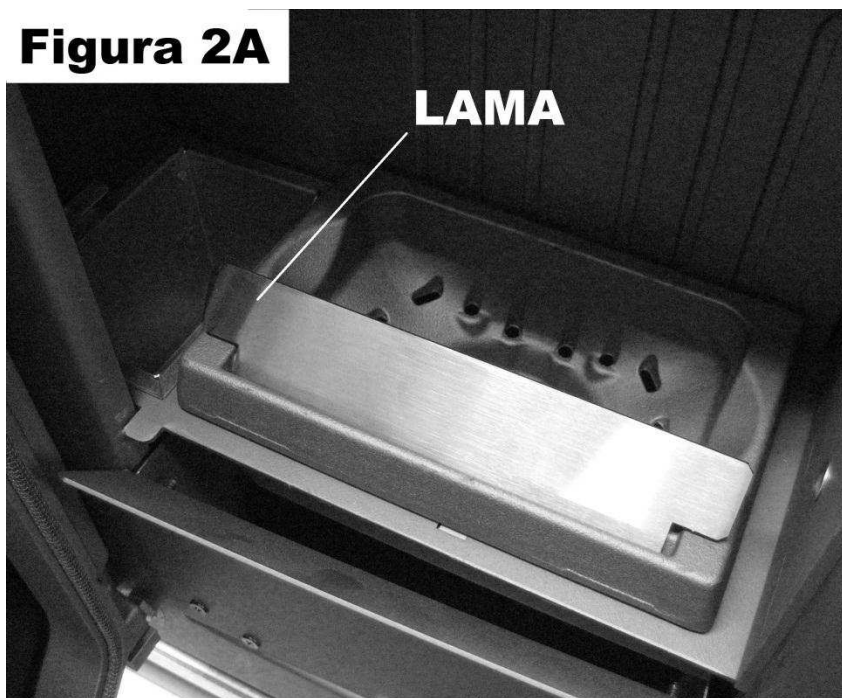
EVERY MONTH vacuum the ash deposited on the bottom of the tank (when the tank is empty).

EVERY 3 MONTHS clean the smoke channels and check that they are airtight.

TWICE A YEAR clean the flue outlet and inspect the smoke exhaust pipe for airtightness.

TWICE A YEAR remove the back of the combustion chamber. To remove it, lift it while rotating it outwards from the appliance. Thoroughly clean the tube bundle as well. (Figure 6 , 7).

Figura 2A



AT THE END OF THE WINTER SEASON OR WHENEVER IT IS NECESSARY do an in-depth cleaning of the appliance firebox, with brushes and a vacuum cleaner. Using a vacuum device simplifies cleaning out the ashes. Use a damp cloth or a scrunched up piece of newspaper, dampened and rolled in the ash, to wipe the glass until it is perfectly clean. Do not clean the glass while the appliance is operating. The glass retains an acceptable degree of cleanliness if all the cleaning instructions contained in this manual are adhered to.

The front profiles, the glass elements and the casing must be cleaned, when the appliance has cooled, with a special soft microfibre cloth for delicate surfaces such as lenses, glasses, monitors, etc..., and water.

CAUTION: a daily deposit of soot and combustion residues on the glass is quite normal.

It is normal for the ash to fall to the floor when the door is opened. **CAUTION:** after cleaning it is mandatory to carefully check that the combustion chamber door is firmly closed and airtight. **CAUTION:** the smoke channel, the flue outlet and the generator must be cleaned in accordance with the specifications described above and use of inflammable products is strictly forbidden: using inflammable products can create dangerous situations. Failure to carry out the necessary maintenance or if only partial maintenance is carried out will affect the correct functioning of the appliance. Any problems resulting from total or partial lack of maintenance will immediately void the warranty.

CAUTION: if the appliance remains inactive (not used for over a month) the appliance, the smoke discharge tube and the flue outlet must be thoroughly cleaned and checked for any possible obstructions (e.g. birds or wasp nests) before restarting.

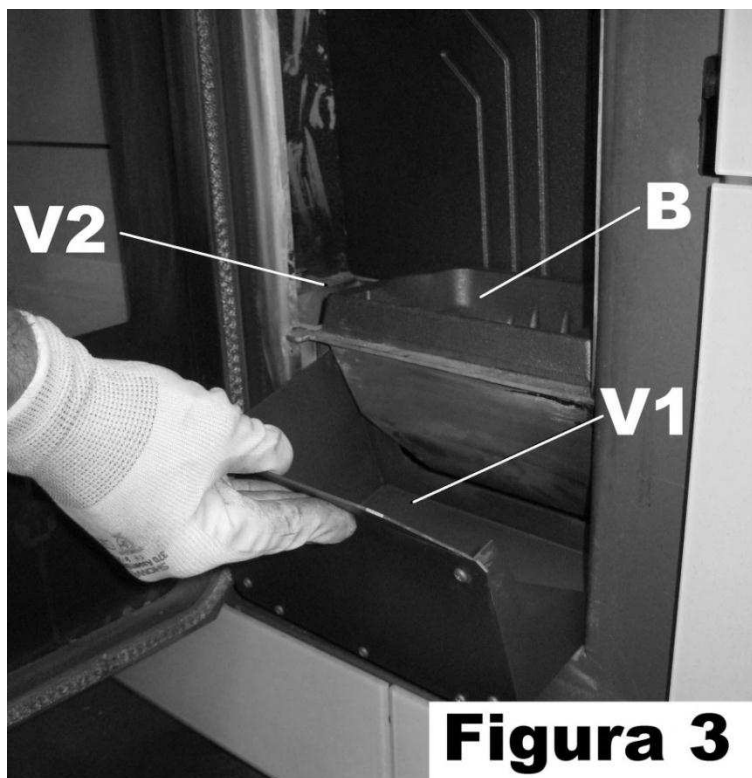


Figura 3

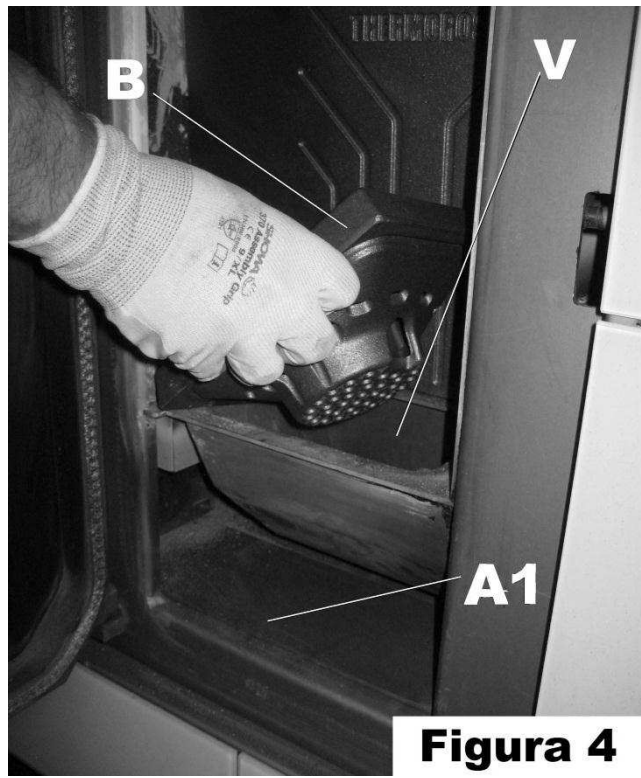
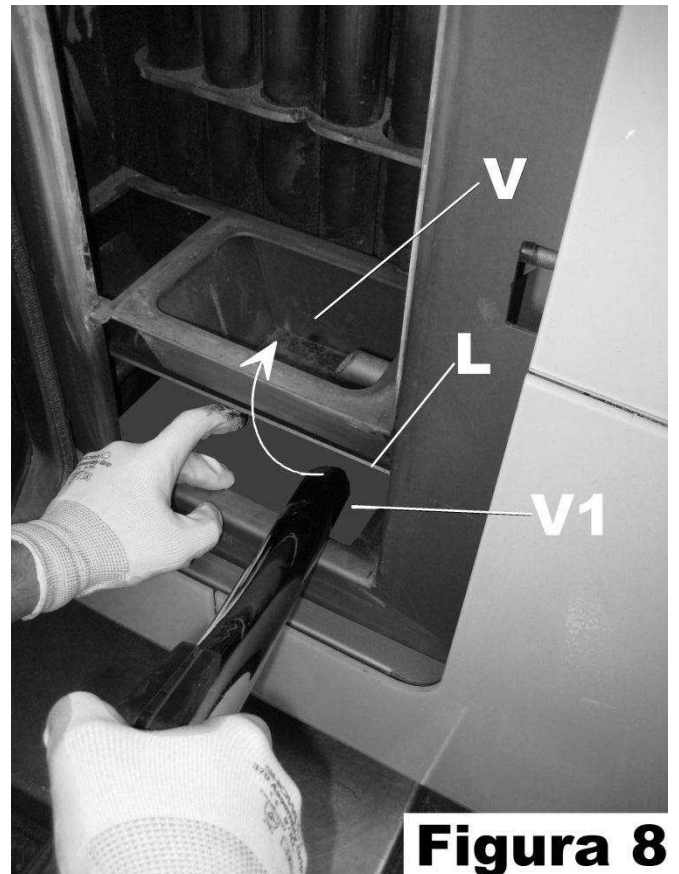
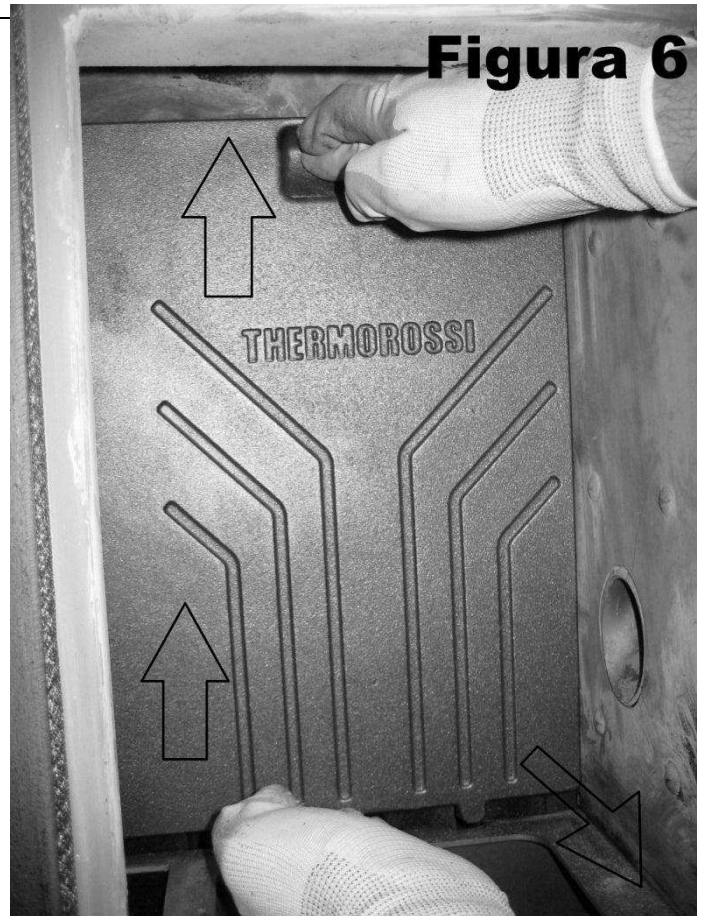
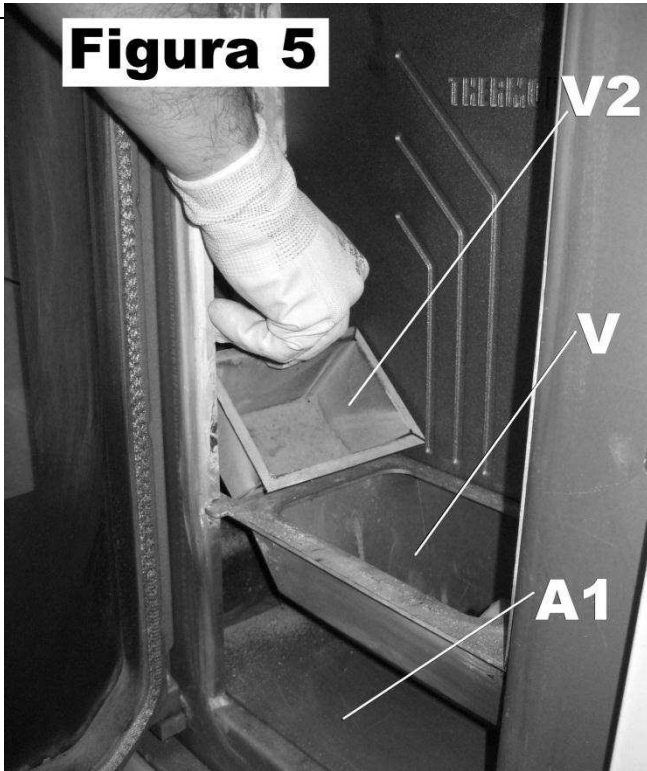


Figura 4

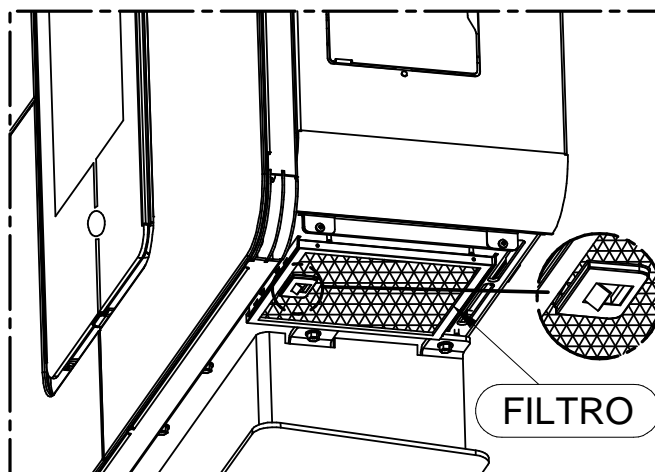
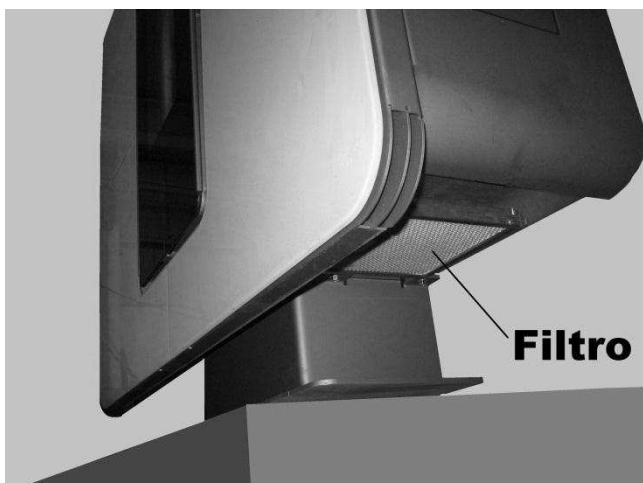




LEGENDA	KEY
Figura	Figure
Ispezione	Inspection

8.3 AIR FILTER

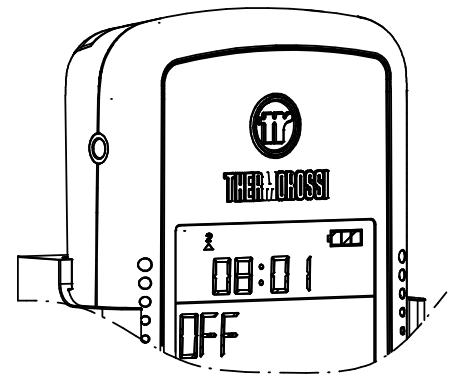
Your appliance is fitted with an air filter; a practical device that prevents the circulation of dust particles that are always present in domestic environments. The filter (shown in the image below) is installed in the bottom right part of the appliance. Frequent cleaning will ensure greater availability of hot air during operation and less overheating of the appliance. The filter must be removed and cleaned every 5 days; soak in cold water then dry thoroughly before reinstalling it.



LEGENDA	KEY
Filtro	Filter

8.4 CHARGING THE BATTERY OF THE THERMOCOMFORT HANDHELD RADIO CONTROL (optional)

As soon as the battery symbol on the display begins to blink, as shown in the drawing, the battery needs to be charged. While it is being charged and consequently while it is connected to the electrical power mains the battery symbol blinks continuously even when the batteries of the radio control are completely charged. This operation is necessary as otherwise the communication between the appliance and the radio control could be cut off. The batteries of the handheld radio control require regular recharging in relation to the amount of use made of it. The duration of the battery charge is variable and depends on how often the remote control is used. The batteries must be recharged using the supplied battery charger:



INPUT 100V-240V 50/60 Hz 0,3/A OUTPUT 5,5V 750 ma

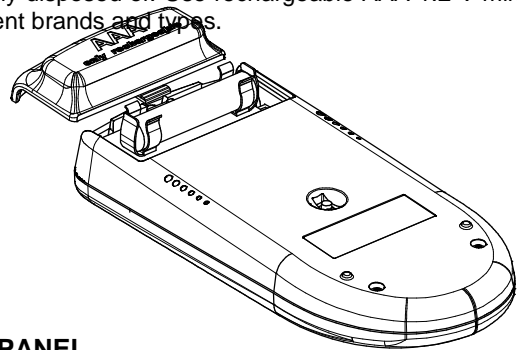
The battery charger must be connected to a 220-240V 50Hz power mains. To obtain a total recharge of the batteries they must be charged for at least 5 days: lower charge times could reduce the duration and life of the batteries. It is completely normal during the battery recharge process for symbols and/or lines to appear haphazardly on the display. The optimal battery autonomy is achieved after several battery charge / discharge cycles. If the radio control is not used for more than one week it is mandatory to switch it off completely in order to preserve the life of the batteries. Turn the switch located in the battery compartment to 1, that is, OFF. The batteries are guaranteed for 6 months.



Caution: Use only the battery charger provided by Thermorossi. The use of any other type of battery charger will invalidate the product warranty. Flat batteries must be removed and safely disposed of. Use rechargeable AAA 1.2 V min. 750 mAh batteries. Use only rechargeable batteries but do not mix different brands and types.

8.5 BATTERY REPLACEMENT FOR INFRARED REMOTE CONTROL

When the infrared remote control does not send out the transmission signal (led on), the battery must be replaced. Use a Phillips screwdriver of proper size, to separate the half shells and replace the battery. The dead battery must be disposed of safely.

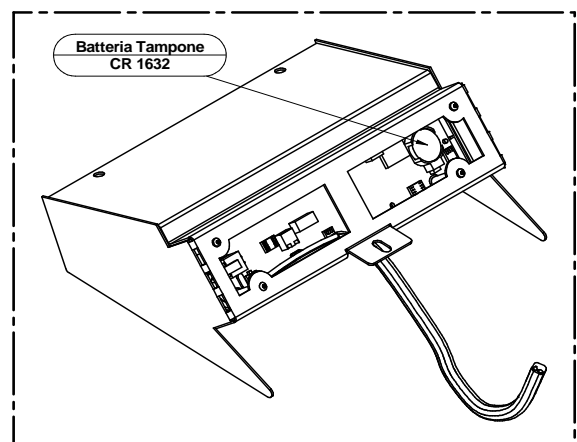
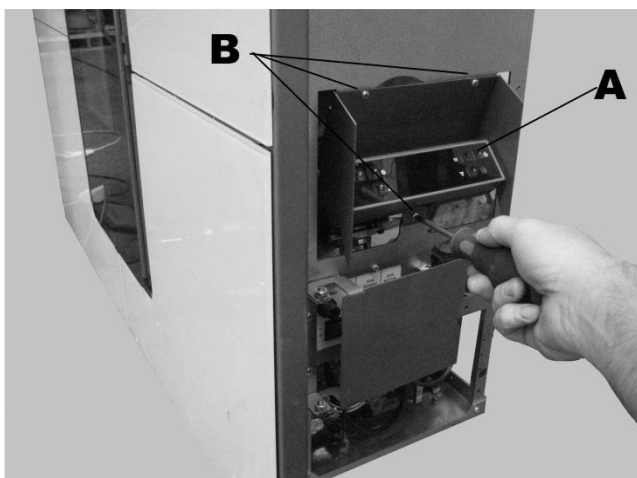


8.6 REPLACING THE BUFFER BATTERY OF THE CONTROL PANEL

Inside the control panel there is a buffer battery type CR 1632. When hour and programming are not kept in storage, the battery must be replaced using the 4 screws in the rear of the control panel. This malfunction must not be considered a defect as it is the result of normal battery depletion.

To replace the battery, remove the right side panel of the appliance and then also the control panel A, by undoing the three screws B that fix it to the structure.

The dead battery must be disposed of safely.



LEGENDA	KEY
Batteria Tampone CR1632	Buffer battery CR1632

9 – SMOKE DISCHARGE TUBE AND VENTILATION OF THE ROOMS

9.1 FOREWORD



Due to the frequent accidents caused by poor functioning of flue outlets installed in private dwellings, we have prepared the following paragraph to assist the installer in his inspection of the parts concerned with eliminating the gases produced by combustion.

The flue outlet must comply with UNI 10683 and be built in accordance with the requirements set out in Italian Decree No. 37 of 22 January 2008, respecting the reference values expressed in the standard; in particular, the flue outlet must conform to fire prevention standards (it must therefore be capable of withstanding a possible fire action: in such a situation contact the fire department immediately). This chapter is not intended to replace UNI 7129, UNI 10683 and EN 14785 standards to which it refers. The qualified installer must in any case be fully aware of these standards and any amending versions. *It is important to carefully follow the instructions set out below: failure to observe these instructions could cause serious damage to the product, to the system, to objects and to persons using the generator.*

9.2 ROOM VENTILATION



CAUTION: the presence of extraction fans or similar appliances, if operating in the same room or space in which the product is installed, could cause problems for the correct operation of the product.

CAUTION: do not obstruct the vents or the air inlets on the appliance.

The room where the appliance is installed must have a good air flow to guarantee air for the appliance for the combustion process and for ventilation of the room. The natural air flow must take place directly through permanent openings on the outer walls or through single or multiple ventilation ducting (paragraph 9.2.1).

The ventilating air must come from outside and if possible, away from sources of pollution. The openings in the walls must comply with the following conditions:

- have an unobstructed section of at least 6cm² for each Kw of installed thermal power, with a minimum limit of 100cm²;
- be made in such a way that the vent openings, both on the inside and outside of the wall, cannot be obstructed;
- be protected with grills or similar systems that do not reduce the opening section indicated above;
- be situated at a height near floor level and they must not obstruct the correct operation of the combustion product discharge devices; if this position is not possible the section of the ventilation openings must be enlarged by at least 50%.

9.2.1 VENTILATION FROM ADJOINING ROOMS

The air flow can also be obtained from an adjoining room as long as:

- the adjoining room is equipped with direct ventilation in compliance with the paragraphs described above;
- only appliances connected to the exhaust pipe are installed in the room that is ventilated;
- the adjoining room is not used as a bedroom or a common area of the building;
- the adjoining room is not a room with a fire hazard, such as storage sheds, garages, combustible material store rooms, etc...;
- the adjoining room does not become a vacuum compared to the room to be ventilated due to a reverse draught effect; (the reverse draught can be caused by the presence in the room of either another heating appliance running on any type of fuel, a fireplace, or any suction device, which have not been provided with an air intake);
- the air flow from the adjoining room to the room to be ventilated is unobstructed through the permanent apertures having an overall net section of no less than that indicated above. These apertures can be obtained by enlarging the space between the door and the floor.

9.3 SMOKE OUTLET



The smoke channel, the exhaust pipe, chimney and flue outlet (defined as the system for the evacuation of combustion products), are parts of the heating system and they must comply with the legislative requirements of the Ministerial Decree DM 37/08 (ex Italian Law 46/90) and to the applicable specific installation regulations, according to the type of fuel. Fireplaces, heaters and barbecues must not be installed in locations where gas appliances type A and type B are present and operating (for the classification see UNI 10642 and UNI 7129). The connection between the appliance and the flue outlet must only receive exhaust from one heat generator.

9.3.1 CHIMNEY TYPES

The following types of chimneys, constructed as described, are possible:

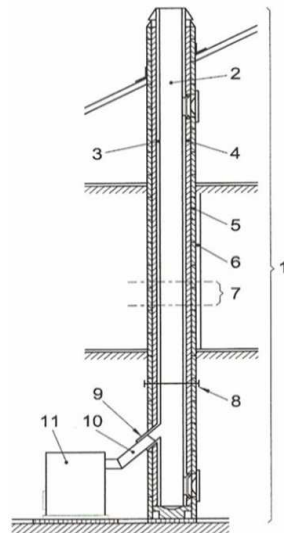
- System: Chimney installed using a combination of compatible components (flue liner, insulation, outer casing etc...), constructed or specified by a single manufacturer and CE certified in accordance with the applicable standard;
- Composite chimney: Chimney installed or constructed on site using a combination of compatible components such as flue liner (wall directly in contact with the smoke), and possibly also insulation and outer casing (wall) that may be supplied by different manufacturers or by the same manufacturer.
- Relining: operation involving the installation of a specific pipe in an existing shaft (even if newly constructed) made of non-combustible materials, free from obstructions and for single use.

9.3.2 FLUE OUTLET / FLUE SYSTEM COMPONENTS

Components and accessories of a chimney

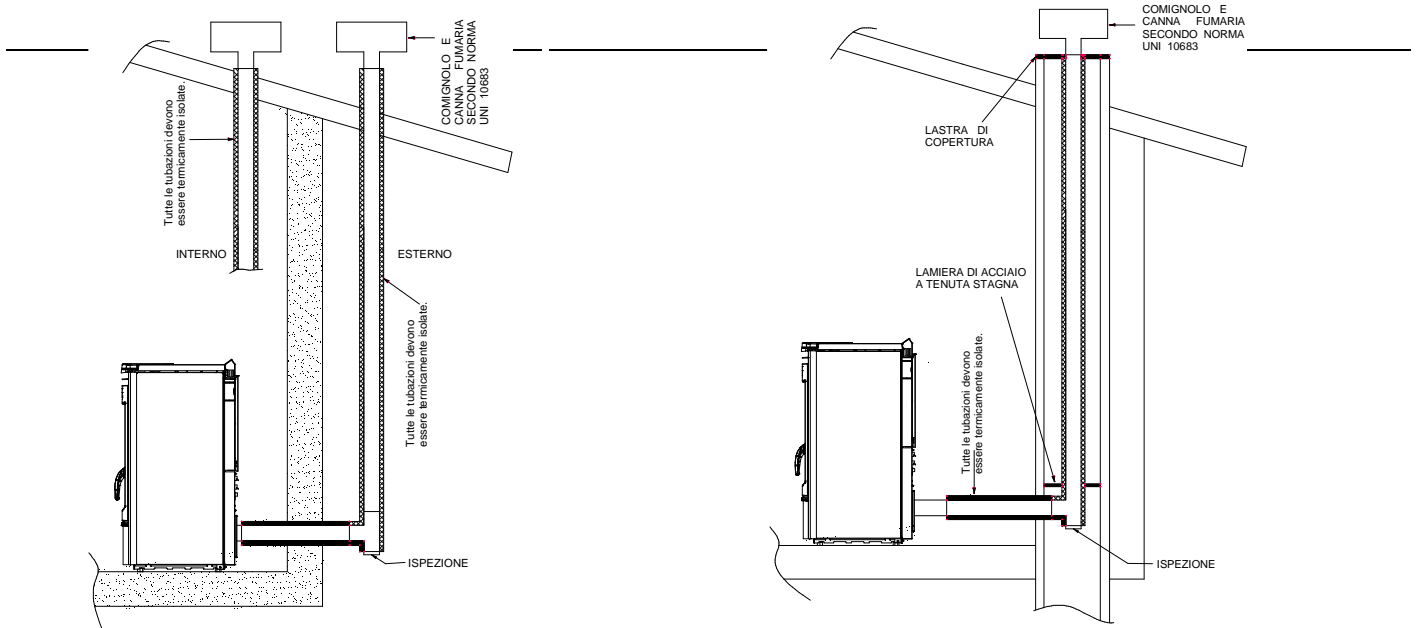
Key

- 1 Chimney
- 2 Flow path
- 3 Smoke discharge tube
- 4 Thermal insulation
- 5 External wall
- 6 Outer lining
- 7 Flue outlet section
- 8 Multiwall chimney
- 9 Connector
- 10 Flue pipe
- 11 Heat generator



Every chimney must have minimum number of components as laid down by standard UNI EN 1443 which are also indicated in the figure on the left:

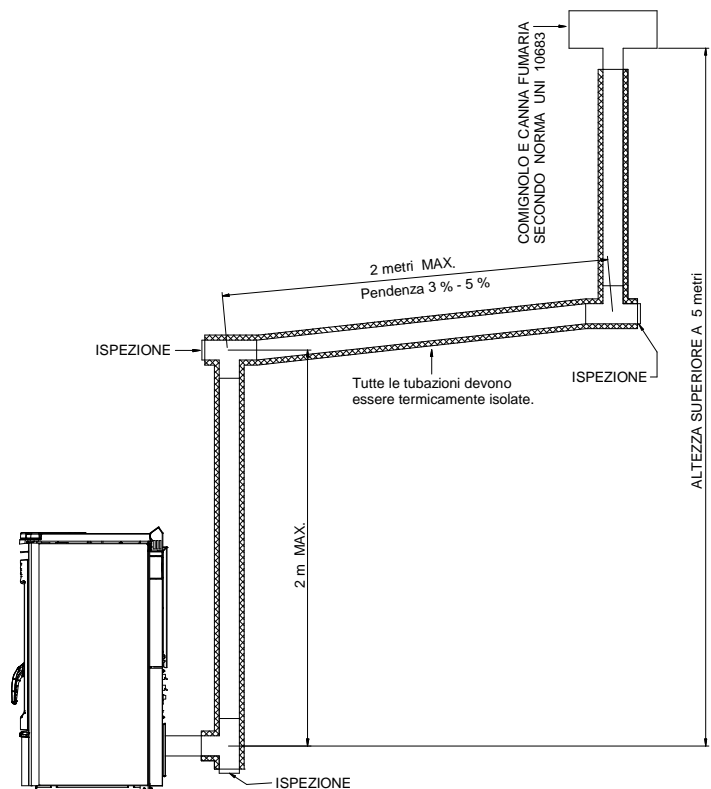
wall outlets, that is outlets installed on the outer front wall without the use of a chimney/flue outlet /flue pipe to convey the combustion products to the roof, are strictly prohibited.



LEGENDA	KEY
Tutte le tubazioni devono essere termicamente isolate	All the pipes must be thermally insulated
Comignolo e canna fumaria secondo norma UNI 10683	Chimney cap and flue outlet according to uni 10683 standard
Interno	Internal
Esterno	External
Ispezione	Inspection
Lastra di copertura	Cover slab
Lamiera di acciaio a tenuta stagna	Watertight steel sheet
2 metri MAX (pendenza 3% - 5%)	2 metres MAX. (slope 3-5%)
Altezza superiore a 5 metri	Height more than 5 m.

9.3.3 CONTROLS PRIOR TO INSTALLING THE APPLIANCE

The user must possess a certificate of conformance for the flue outlet (Ministerial Decree 22 January 2008, no. 37). The flue outlet must be built in compliance with UNI 10683. The smoke exhaust shown in the following figures is the best solution to ensure the discharge of smoke even when the fan is not operational, such as for example if there is an electrical power failure. Failure to observe these requirements could result in stagnation of the gases in the firebox and could explode when discharged to the environment. The figures illustrate the best solution for discharging the smoke out through the roof or into the flue outlet. If you prefer to exhaust the smoke from the roof insert a union tee with inspection cap, connecting brackets suitable for the height of the flue outlet, flashing that crosses the roof and chimney cap to protect against bad weather conditions. If you decide to use the classic masonry exhaust provide a T-union with inspection cap and suitable supporting brackets. If the flue outlet is too big it is necessary to insert a stainless steel or porcelain-coated steel tube with a diameter not exceeding 150mm. Seal area where the inlet and outlet part of the smoke exhaust meets the wall. It is strictly forbidden to apply mesh to the end of the outlet tube, as it could cause the appliance to malfunction. If the smoke tube is installed in a fixed position it is advisable to provide inspection openings for clean-out purposes especially in the horizontal sections. These openings are essential to allow for the removal of ash and unburned products which tend to accumulate along the discharge path. The appliance functions with the combustion chamber in a vacuum, while the discharge of smoke to the flue outlet has a slight pressure, consequently it is imperative to ensure that the discharge system is hermetically sealed. The smoke discharge tube must be made from suitable materials such as for example: porcelain-coated steel tubes, and the various fittings sealed with red silicone (resistant to 350°C). The outer casing of the tube must be made with insulating material (mineral wool, ceramic fibre) or use pre-insulated tubing. THE FLUE OUTLET MUST BE USED ONLY FOR THE APPLIANCE.





It must be possible to inspect and remove all the smoke tube sections for clean-out purposes.

CAUTION: if the flue outlet is not sufficiently insulated and /or if it is too long it could generate condensation. It is mandatory to provide a condensation drain near the smoke outlet of the appliance. The appliance must always and only be installed in a single flue outlet system dedicated exclusively to the appliance.

If the generator is connected to a non-compliant flue system the appliance could rapidly deteriorate due to an abnormal, continuous overheating: in this case the damaged parts will not be covered by warranty.

IF THE CHIMNEY CATCHES FIRE DO NOT HESITATE TO CALL THE FIRE BRIGADE IMMEDIATELY.

10 – ALARMS

The appliance is programmed to communicate 7 fundamental alarms. The alarms are listed below:

AL PE: is communicated when the temperature during the WORK mode drops below the fixed threshold: this indicates that the appliance is switching off due to lack of pellets. To reset the alarm simply press the flame button (1): The appliance will begin a new start up phase. It is mandatory to empty and clean the brazier, and then to fill the pellet tank before repeating the START phase.

AL AC: appears once the START phase has finished if the smoke does not reach the correct temperature. To reset the alarm simply press the flame button (1):the appliance will begin a new start up phase. It is mandatory to empty and clean the brazier before repeating the START phase: pellets emptied from the brazier must not be fed into the tank.

AL OP: this occurs when the smoke outlet is partially blocked. To reset the alarm the power to the appliance must be switched off then on by turning the switch 0-1 at the back of the appliance.
Before restarting the appliance check for any irregularities such as blocked flue outlet, open firebox door... and solve the problem.

AL T max: appears when the temperature of the appliance body exceeds 125°C. Once the causes for the overtemperature have been identified and remedied unscrew the plastic cover from the thermostat located at the back of the appliance and press the button (the temperature of the appliance must cool down). To reset the alarm the power to the appliance must be switched off then on by turning the switch 0-1 at the back of the generator.

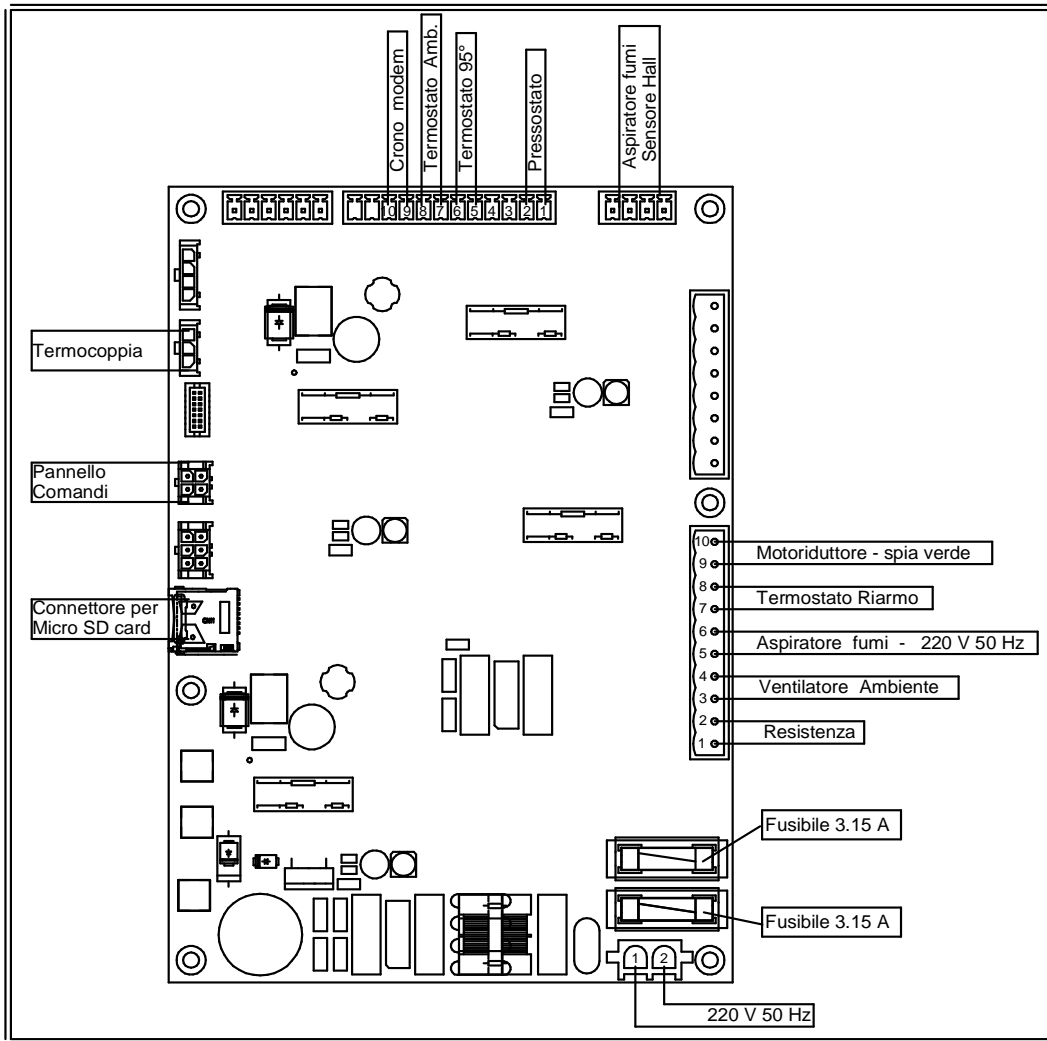
AL SMOKE TEMP SENSOR: appears when the smoke thermocouple is damaged or absent.

AL SMOKE FAN : activates when the smoke suction unit sensor detects a very slow rotation speed:
clean the vent A3 , the smoke channels and the flue outlet (see para. 8). If the problem persists contact the technical assistance service.

AL SMOKE RPM SENSOR : trips when the smoke suction unit revolution sensor fails to detect any rotation; the smoke suction unit is not working, call the technical assistance.

To reset the alarms the power to the appliance must be switched off then on by turning the switch 0-1 at the back of the generator.

11 - ELECTRICAL WIRING



LEGENDA	KEY
Termocoppia	Thermocouple
Pannello comandi	Control panel
Connettore per Micro SD card	Connector for Micro SD card
Crono modem	Chrono modem
Termostao Amb.	Room thermostat
Termostato 95°	Thermostat 95°C
Pressostato	Pressure switch
Aspiratore fumi Sensore Hall	Hall sensor for smoke suction unit
Motoriduttore - spia verde	Ratio motor - green LED
Termostato Riarmo	Reset thermostat
Aspiratre fumi - 220 V 50 Hz	Smoke suction unit - 220V 50 Hz
Ventilatore ambiente	Room fan
Resistenza	Heater
Fusibile 3.15 A	Fuse 3.15 A

12 - INFORMATION FOR THE SKILLED TECHNICIAN

12.1 MAIN COMPONENTS AND THEIR OPERATION

SMOKE PRESSURE SWITCH

This is a safety switch that stops the screw feeder motor whenever necessary. The main cause for the pressure switch tripping is a blocked flue outlet or smoke exhaust pipe. Note that it is strictly forbidden to apply any kind of mesh screen to the end of the pipe. When the holes of the mesh clog up they create a plug that trips the pressure switch which stops the pellet feeder.

SCREW FEEDER MOTOR

This motor is powered at regular on/off intervals controlled by a microprocessor. The operation of this motor is affected when:

- The motor's thermal cutout trips. -The pressure switch trips due to blocked smoke exhaust.
- Pellets finished. -Voluntary shut down of the appliance. -The manual reset thermostat trips at 125°C

ROOM FAN

Starts automatically as soon as the smoke thermocouple detects a suitable smoke temperature. Similarly it stops when the fuel is finished or during a voluntary shut down when the smoke thermocouple detects a suitable temperature for activating (to a maximum of 20 minutes).

SMOKE SUCTION UNIT

This is activated when the appliance starts up. In the first minute it «washes» the smoke discharge tube, that is, it functions at maximum working rate. Once this time has elapsed it self-adjusts to the optimal speed. The exhaust continues to operate for approximately twenty minutes from the time the appliance is switched off to allow for the evacuation of all the smoke and for safety purposes.

THERMOCOUPLE

Its function is to verify the temperature of the combustion smoke: when the smoke temperature exceeds a certain value it indicates that the appliance is on. Similarly, when the temperature drops below a certain limit it causes the presence of AL PE on the display.

TANK SAFETY THERMOSTAT

This thermostat starts operating as soon as the temperature in or near the pellet tank approaches 95°C and sends an immediate signal to the room fan to operate at maximum power.

125°C MANUAL RESET THERMOSTAT

When the temperature exceeds 125°C the pellet feed screw shuts down. Display shows the inscription "AL T max". Once the causes for the overtemperature have been identified and remedied the appliance can be reactivated by unscrewing the plastic cover of the thermostat located at the right side of the appliance and pressing the button (the appliance temperature must have considerably dropped).

GLOW PLUG

It is activated in the START phase. Heats the air to 800°C, which assist the first combustion of the pellets present in the brazier. The spark plug is guaranteed for a period of 6 months.

12.2 REQUIREMENTS NECESSARY FOR CORRECT INSTALLATION AND OPERATION

- Read this instruction booklet.
- The appliance must always be switched off from the control panel. It is forbidden to switch off the appliance by means of the switch installed on the back of the heater.
- The appliance must never be disconnected from the electrical power supply and the power supply must never be cut off during normal operation. Whenever the appliance is deliberately disconnected from the electric power supply smoke could be emitted into the room.
- Do not install the appliance with horizontal wall outlets only: Evacuation of products of combustion by natural draught must always be guaranteed as well. Unsuitable installation of the outlets could cause a forced shut down of the appliance due to overpressure of the exhaust smoke caused by a gust of wind.
- At the first startup, run the heater at the maximum power and minimum ventilation for at least ten hours in a well-ventilated room, in order to dispose of the smoke generated by the complete dryness and baking of the silicates contained in the enamel coating of the combustion chamber.
- Do not install a grill or outlet terminal that could slow down the flow of the combustion gases: this would obviously cause the appliance to malfunction.
- Keep the appliance clean and check the burner as described in these instructions.
- Clean the smoke outlet regularly.
- Use good quality pellets: use of poor pellets can result in up to 50% less efficiency.
- The pellets must be stored in a well-ventilated, dry place.
- Sizing of the chimney liner:

Painted aluminized steel tubes (1.5 mm minimum thickness), Aisi 316 stainless steel tubes or 0.5 mm enamelled tubes may be used. Minimum vertical length 4 m / Maximum vertical length 8 m / Length with minimum slope 5% 0.5 m
Maximum number of elbows at least 0.5 m apart: 2

- The appliance door must always remain closed during normal operation.
- Do not touch hot outer surfaces, unless with special equipment.
- Do not pour the pellets directly into the brazier.
- Keep fuel and inflammable materials at a suitable distance.
- Use only original spare parts supplied by the manufacturer.

12.3 TROUBLESHOOTING CAUSE-SOLUTION

PROBLEM	CAUSE	SOLUTION
PELLETS DO NOT DROP INTO THE BURNER	PELLET TANK IS EMPTY (DISPLAY SHOWS THE INSCRIPTION “AL PE”)	EMPTY THE BURNER AND CLEAN IT UP AS INDICATED IN PARA. 8 THEN FILL UP THE TANK WITH PELLETS
	FEEDER SCREW BLOCKED BY FOREIGN OBJECT SUCH AS NAIL, NYLON, PIECE OF WOOD REMOVE THE FOREIGN OBJECT INSIDE THE TANK (DISPLAY SHOWS THE INSCRIPTION “AL PE”)	CUT OFF THE POWER AND REMOVE THE FOREIGN OBJECT.
	SMOKE EXHAUST NOT FREE, OR WITH TERMINAL THAT OBSTRUCTS THE PASSAGE OF SMOKE (DISPLAY SHOWS THE INSCRIPTION “AL OP”)	EMPTY THE BURNER AND CLEAN IT UP AS INDICATED IN PARA. 8 THEN CHECK THE SMOKE EXHAUST AS IT COULD BE DIRTY OR BLOCKED.
	OUTLET TERMINAL CLOGGED BECAUSE A GRILL OR TERMINAL HAS BEEN INSERTED WHICH PREVENTS THE FREE PASSAGE OF SMOKE (DISPLAY SHOWS THE INSCRIPTION “AL OP”)	EMPTY THE BURNER AND CLEAN IT UP AS INDICATED IN PARA. 8 THEN REMOVE THE TERMINAL AND REPLACE IT WITH A MORE SUITABLE ONE.
	GUST OF WIND WHICH HAS MADE THE APPLIANCE GO INTO SAFETY MODE (DISPLAY SHOWS THE INSCRIPTION AL OP)	EMPTY THE BURNER AND CLEAN IT UP (SEE PARA. 8) SWITCH THE POWER SUPPLY TO THE APPLIANCE OFF THEN BACK ON AGAIN
	THE PELLETS SCREW MOTOR DOES NOT WORK	REPLACE THE PELLETS SCREW MOTOR
	THE RESET THERMOSTAT TRIPS AND LOCKS THE GEARMOTOR (DISPLAY SHOWS THE INSCRIPTION AL T max)	THE ROOM FAN IS DAMAGED AND MUST BE REPLACED WAIT UNTIL THE APPLIANCE COOLS DOWN AND PUT BACK INTO SERVICE THE RESET THERMOSTAT.
THE APPLIANCE ACCUMULATES PELLETS IN THE BRAZIER WHILE OPERATING	SMOKE EXHAUST NOT FREE, OR WITH TERMINAL THAT OBSTRUCTS THE PASSAGE OF SMOKE	EMPTY THE BURNER AND CLEAN IT UP AS INDICATED IN PARA. 8 THEN REMOVE THE TERMINAL AND REPLACE IT WITH A MORE SUITABLE ONE. THEN CHECK THE SMOKE EXHAUST AS IT COULD BE DIRTY OR CLOGGED
	BURNER IS DIRTY	EMPTY THE BURNER AND CLEAN IT UP AS INDICATED IN PARA. 8.
	THE DOOR IS NOT FIRMLY CLOSED / WORN GASKET	CLOSE THE DOOR FIRMLY / REPLACE THE GASKET
	PELLETS WITH DEPOSIT ABOVE PERMISSIBLE LIMITS	EMPTY THE BURNER AND CLEAN IT UP AS INDICATED IN PARA. 8
		EMPTY THE BURNER AND CLEAN IT UP AS INDICATED IN PARA. 8.2. THEN SET THE OPERATING PROGRAM “Level 2”
	EMPTY THE BURNER AND CLEAN IT UP AS INDICATED IN PARA. 8. CHANGE THE TYPE OF PELLETS	

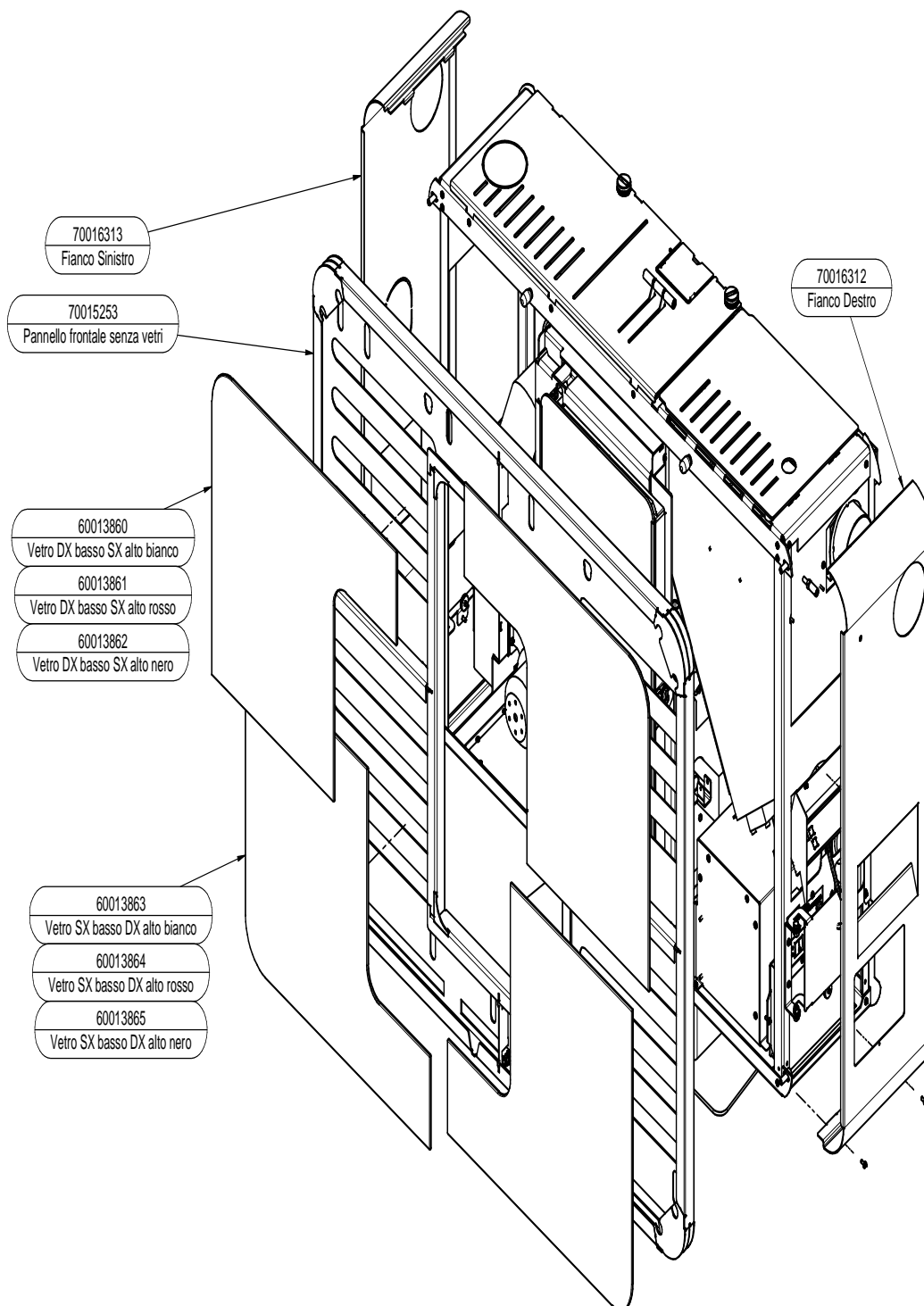
	THE BURNER IS NOT PROPERLY PLACED ON ITS SEAT OR IT STAYS LIFTED FROM ITS SEAT	EMPTY THE BURNER AND CLEAN IT UP AS INDICATED IN PARA. 8. THEN SET THE BURNER ON ITS SEAT PROPERLY
THE APPLIANCE SMOKES	OCCURS THE FIRST TIME THE APPLIANCE IS SWITCHED ON AS THE SILICONE PAINT IS BEING BAKED	RUN THE APPLIANCE UNDER NORMAL OPERATING CONDITIONS FOR A FEW DAYS
	THE SMOKE EXHAUST IS NOT SEALED CORRECTLY	CHECK IF THE FLUE OUTLET IS SEALED CORRECTLY CHECK THE CONDITION OF THE OUTLET TUBES AND IF THE GASKETS ARE SEALED CORRECTLY
	IF THE APPLIANCE STARTS TO SMOKE AFTER 25 MINUTES: DIRTY BURNER, VERY DELAYED START.	EMPTY THE BURNER AND CLEAN IT UP AS INDICATED IN PARA. 8.
	IF THE APPLIANCE STARTS TO SMOKE AFTER 25 MINUTES: DELAYED START BECAUSE THE SCREW FEEDER IS EMPTY	EMPTY THE BURNER AND CLEAN IT UP AS INDICATED IN PARA. 8. THEN FILL UP THE HOPPER.
	SMOKE PURGE VALVE TRIPPING	FOLLOW ALL THE CLEANING AND MAINTENANCE INSTRUCTIONS SET OUT IN PARA. 8, INCLUDING THE CLEANING OF THE FLUE OUTLET
THE APPLIANCE SHUTS OFF A FEW MINUTES AFTER THE END OF THE START UP CYCLE	DELAYED START BECAUSE THE SCREW FEEDER IS EMPTY (DISPLAY SHOWS THE INSCRIPTION AL AC)	EMPTY THE BURNER AND CLEAN IT UP AS INDICATED IN PARA. 8. THEN FILL UP THE TANK
	DIRTY BURNER, VERY DELAYED START (DISPLAY SHOWS THE INSCRIPTION AL AC)	EMPTY THE BURNER AND CLEAN IT UP AS INDICATED IN PARA. 8. THEN FILL UP THE TANK
THE APPLIANCE DOES NOT START UP	THE SPARK PLUG IS DAMAGED (DISPLAY SHOWS THE INSCRIPTION AL AC)	EMPTY THE BURNER AND CLEAN IT UP AS INDICATED IN PARA. 8. THEN REPLACE THE SPARK PLUG.
THE GLASS IS COVERED IN BLACK SOOT	THE APPLIANCE ACCUMULATES PELLETS IN THE BRAZIER	CLEAN THE GLASS MORE OFTEN. FOLLOW THE CLEANING AND MAINTENANCE INSTRUCTIONS OF THE APPLIANCE (SEE PARA. 8) SET THE OPERATING PROGRAM "Level 2"
	THE APPLIANCE OPERATES WITH FREQUENT ON-OFF CYCLES	THE APPLIANCE NEEDS TO OPERATE AT A HIGHER POWER LEVEL TO REDUCE THE ON/OFF ACTIONS.
	THE CAST BLADE POSITION IS NOT CORRECT/ NO BLADE	POSITION THE BLADE CORRECTLY / MOUNT THE BLADE
THE APPLIANCE SEEMS NOT TO HEAT	ROOM TEMPERATURE THERMOSTAT IS SET TOO LOW THE APPLIANCE OPERATES AT INTERVALS	THE APPLIANCE MUST OPERATE FOR MORE HOURS WITH MORE POWER: SET A HIGHER TEMPERATURE
	THE ROOM IS TOO LARGE, THE WALLS ARE COLD.	SEPARATE THE SPACES THE APPLIANCE SHOULD OPERATE FOR MORE TIME AND WITH MORE POWER
	POOR PELLETS	USE A DIFFERENT TYPE OF PELLETS IN COMPLIANCE WITH OM 7135
	CEILINGS TOO HIGH OR PRESENCE OF STAIRS THAT DISPERSE THE HEAT ELSEWHERE.	SEPARATE THE SPACES THE APPLIANCE SHOULD OPERATE FOR MORE TIME AND WITH MORE POWER
THE APPLIANCE IS OFF	PELLET HOPPER IS EMPTY (DISPLAY	EMPTY THE BURNER AND CLEAN

BUT THERE ARE UNBURNT PELLETS IN THE BRAZIER	SHOWS THE INSCRIPTION "AL PE")	IT UP AS INDICATED IN PARA. 8. THEN FILL UP THE TANK
THE PROGRAMMING AND/OR TIME DO/DOES NOT REMAIN IN THE MEMORY	THE BUFFER BATTERY TYPE CR1632 INSTALLED IN THE CONTROL PANEL IS EXHAUSTED.	REPLACE THE BATTERY (SEE PARA. 8)
THE APPLIANCE CARRIES OUT RANDOM COMMANDS THAT HAVE NOT BEEN SET ON IT OR RANDOMLY VARIES THE VENTILATION AND COMBUSTION LEVEL	THE "OPTIONAL WHITE HANDHELD RADIO CONTROL" IS INSTALLED AND THERE IS ANOTHER THERMOROSSI PRODUCT NEARBY	CHANGE THE CODE SELECTOR (SEE PARA. 6)
THE APPLIANCE DOES NOT CARRY OUT THE COMMANDS SET BY THE OPTIONAL WHITE HANDHELD RADIO CONTROL	THERE IS ANOTHER THERMOROSSI PRODUCT NEARBY	CHANGE THE CODE SELECTOR (SEE PARA. 6)
THE TANK COVER DOES NOT RUN / SLIDE ON THE TUBE SCRAPER KNOBS	THE APPLIANCE IS VERY DIRTY.	CLEAN IT UP AS INDICATED IN THE FIGURES 4A, 4B, 4C AND 5 (PARA. 8.2)
THE TANK COVER DOES NOT SLIDE EASILY OR AT ALL	THERE ARE PELLETS IN THE RUNNERS	USE A VACUUM CLEANER TO REMOVE THE PELLETS FROM THE RUNNERS

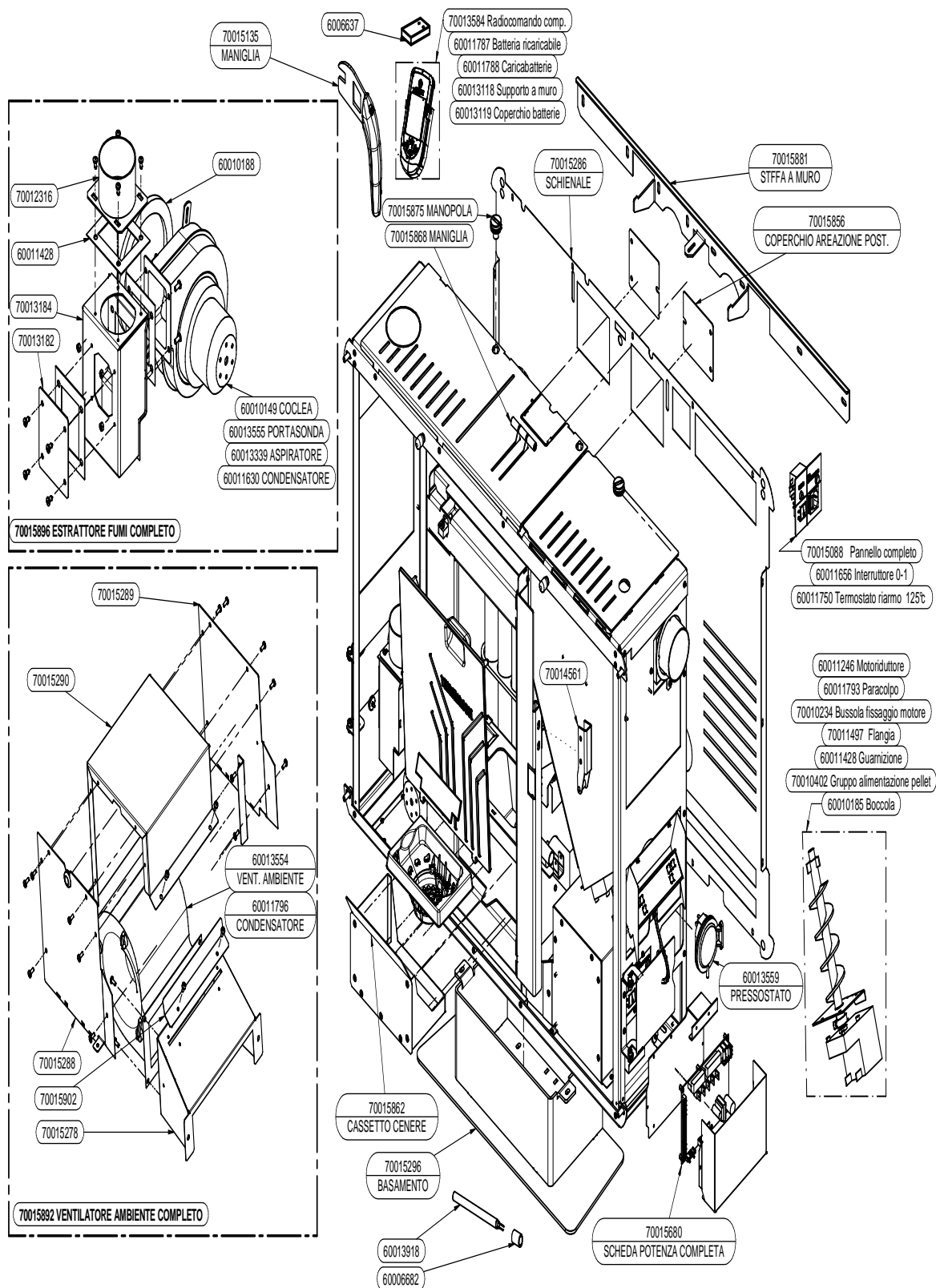
IF THE RECOMMENDED REMEDIES DO NOT SOLVE THE PROBLEM CONTACT A TECHNICAL ASSISTANCE SERVICE

13 - SPARE PARTS

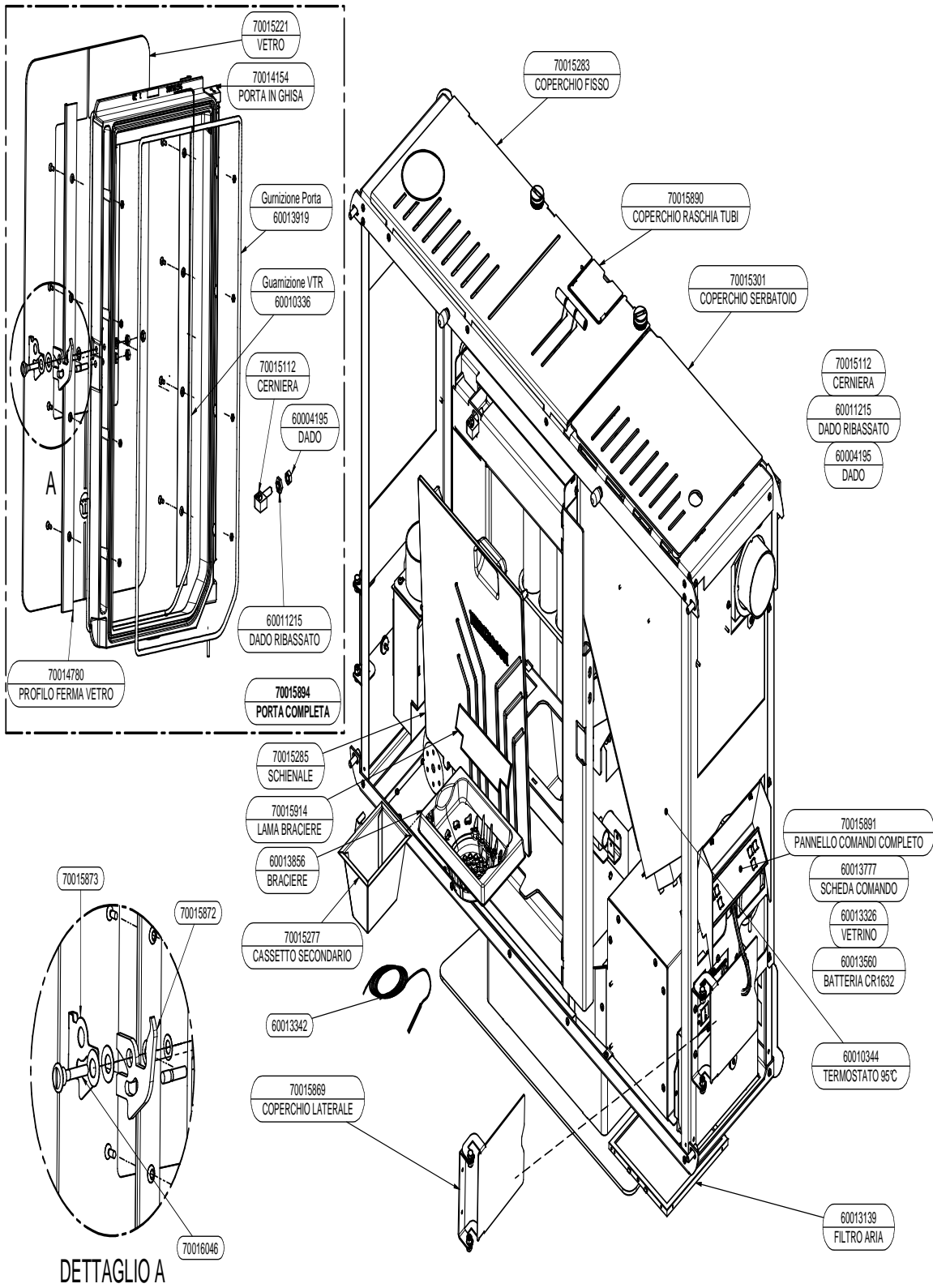
13.1 SPARE PARTS SLIMQUADRO 11 PAGE 1/3



13.2 SPARE PARTS SLIMQUADRO 11 PAGE 2/3



13.3 SPARE PARTS SLIMQUADRO 11 PAGE 3/3



LEGENDA PARTI DI RICAMBIO	SPARE PARTS KEY
Fianco sinistro / destro	Left / right side panel
Pannello frontale senza vetri	Front panel without glass pane
Vetro DX basso SX alto bianco / rosso / nero	Glass RH bottom LH top white / red / black
Vetro SX basso DX alto bianco / rosso / nero	Glass LH bottom RH top white / red / black
MANIGLIA	HANDLE
Radiocomando comp	Complete remote control
Batteria ricaricabile	Rechargeable battery
Caricabatterie	Battery charger
Supporto a muro	Wall mount
Coperchio batterie	Battery cover
Manopola	Knob
Schienale	Back
Staffa a muro	Wall bracket
Coperchio areazione post.	Rear air vent cover
Coclea	Screw feeder
Portasonda	Probe holder
Aspiratore	Suction unit
Condensatore	Condenser
Pannello completo	Complete panel
Interruttore 0-1	Switch 0-1
Termostato riarmo 125°C	Reset thermostat 125°C
Motoriduttore	Ratio motor
Paracolpo	Bumper
Bussola fissaggio motore	Motor fixing bush
Flangia	Flange
Guarnizione	Gasket
Gruppo alimentazione pellet	Pellet feeder unit
Boccola	Bush
Vent ambiente	Room fan
Condensatore	Condenser
Cassetto cenere	Ash pan
Pressostato	Pressure switch
Basamento	Base
Scheda potenza completa	Complete power board
Estrattore fumi completo	Complete smoke exhaust
Ventilatore ambiente completo	Complete room fan
Vetro	Glass
Porta in ghisa	Cast door
Guarnizione VTR	Gasket VTR
Cerniera	Hinge
Dado	Nut
Dado ribassato	Low nut
Profilo fermavetro	Beading profile
Porta completa	Complete door
Coperchio fisso	Fixed cover
Coperchio raschia tubi	Tube scraper cover
Coperchio serbatoio	Tank cover
Cerniera	Hinge
Schienale	Back
Lama braciere	Brazier blade
Braciere	Brazier
Cassetto secondario	Secondary pan
Coperchio laterale	Side cover
Pannello comandi completo	Complete control panel
Scheda comando	Control board
Vetrino	Glass
Batteria CR1632	Battery CR1632
Termostato 95 °C	Thermostat 95°C
Filtro aria	Air filter
Dettaglio A	Detail A
C	C

