

WARNING

This information is a copy of an original archive,
therefore Aga-Rangemaster cannot be held
responsible for its continued accuracy or relevance

THE COALBROOKDALE GS2 Traditional

User's Instructions for The Coalbrookdale GS2 Gas Fired Stove

Consumer Protection Act 1987

As manufacturers and suppliers of cooking and heating products, in compliance with Section 10 of the Consumer Protection Act 1987, we take every care to ensure, as far as is reasonably practicable, that these products are so designed and constructed as to meet the general safety requirement when properly used and installed. To this end, our products are thoroughly tested and examined before despatch.

IMPORTANT NOTICE: Any alteration that is not approved by Coalbrookdale, could invalidate the approval of the appliance, operation of the warranty and could also affect your statutory rights.

Control of Substances - Health and Safety Important

This appliance may contain some of the materials that are indicated below. It is the Users/Installers responsibility to ensure that the necessary personal protective clothing is worn when

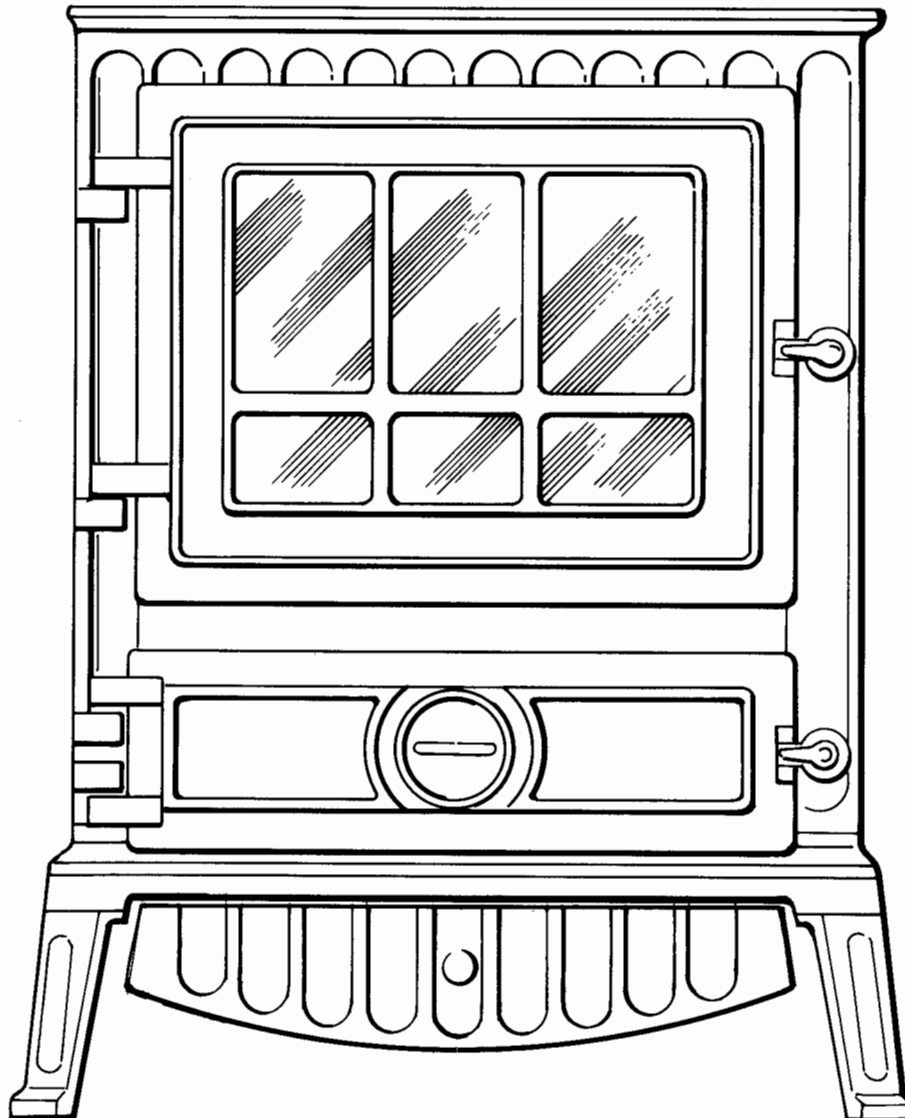
handling, where applicable, the pertinent parts that contain any of the listed materials that could be interpreted as being injurious to health and safety, see below for information.

Firebricks, Fuelbeds, Artificial Fuels - when handling use disposal gloves.

Fire Cement - when handling use disposable gloves.

Glues and Sealants - exercise caution - if these are still in liquid form use face mask and disposable gloves.

Glass Yarn, Mineral Wool, Insulation Pads, Ceramic Fibre, Kerosene Oil - may be harmful if inhaled, may be irritating to skin, eyes, nose and throat. When handling avoid inhaling and contact with skin or eyes. Use disposable gloves, face-masks and eye protection. After handling wash hands and other exposed parts. When disposing of the product, reduce dust with water spray, ensure that parts are securely wrapped.



DESN 510270

Dear Customer,

Your gas stove is for use on either **natural gas or propane**. It **must be** installed by a competent person (e.g. A CORGI Registered Installer) in accordance with the Installation Instructions and operated in accordance with these users instructions if so it should provide many years of safe and efficient operation.

Please complete the separate guarantee card and return it to us within 28 days of purchase. This will enable us to record the details of your purchase and keep you advised of any future developments.

We thank you for purchasing our product and trust it will provide many years of excellent service.

GUARANTEE

The components of this appliance are guaranteed for one year. We agree to repair free of charge or, at our option, replace the appliance or part thereof which may prove to be defective within one year of purchase.

Please retain your purchase receipt. Our Service Engineer will need to see this in the event of a claim under warranty.

IMPORTANT NOTES

Your Coalbrookdale GS2 is a natural gas or propane gas stove.

Due to the newness, the stove may give off a slight smell for a short period after commissioning. This is quite normal and will disappear after a few hours of operation, open doors and windows if required.

The installation of the stove must be carried out by a competent person (e.g. CORGI registered installer), in accordance with the installation instructions and the current Gas Safety (Installation and Use) Regulations 1984 (as amended). Failure to install the appliance correctly could lead to prosecution.

Before installation of your stove your installer should check that the chimney is sound, free from obstruction and clean. If the stove is to be installed to chimney previously used for solid fuel, it **MUST** be swept prior to the installation taking place.

The hearth under the stove should never be covered with combustible flooring or material. Do not obstruct the space beneath the stove.

WARNING: DO NOT OPERATE THE STOVE WITH THE ASHPIT DOOR OR THE GLASS DOOR OPEN, OR IF THE GLASS IS CRACKED OR BROKEN. THE DOORS MUST ALWAYS BE CLOSED USING THE TOOL PROVIDED.

The Coalbrookdale GS2 has been designed similar to a solid fuel stove to relevant safety standards, but during use many parts of the appliance can become VERY HOT to touch. We recommend that you provide and secure a fireguard complying with BS 6539 when the room is used by elderly, infirm or young persons.

Any alteration after the initial installation must be in accordance with the requirements of the Installation and Servicing Instructions. Clarification of combustible material clearances, hearth dimensions, shelf heights and fluing requirements are detailed in the section 'Location' and the 'Flue'.

The chimney should be checked on a regular basis to ensure continued clearance of combustion products and that there is no accumulation of debris or soot etc. It is recommended that the appliance is inspected/serviced annually by a competent person (e.g. A CORGI Registered Installer).

Combustible furniture or materials **MUST NOT** be placed closer than 1m in front of this stove.

It is **NOT** recommended to have any materials, such as curtains, above the appliance or to within 1m at the sides.

Clothing or other flammable material should **NOT** be placed on the stove.

Blown vinyl wallpaper or similar materials. The types of material which have a raised pattern are easily affected by heat, so that it may scorch to become discoloured close to a heating appliance. Please bear this in mind when installing this stove and when re-decorating.

The door tool must be stored in a safe place out of the reach of children.

This appliance should under **NO** circumstances be utilized for solid fuel.

OPERATION OF THE STOVE

The gas to the stove is controlled by a pilot light, control knob and a safety feature called a flame supervision device.

To gain access to the gas control knob, remove the control cover (fig.1.).

The tap-knob bezel is marked with positions for OFF (●), PILOT (*) and a graduated section for minimum, and maximum, gas rate (fig.2.).

The pilot is fitted with a piezo spark igniter.

NOTE: If the main burner or pilot are extinguished for any reason, DO NOT attempt to relight the pilot for three minutes.

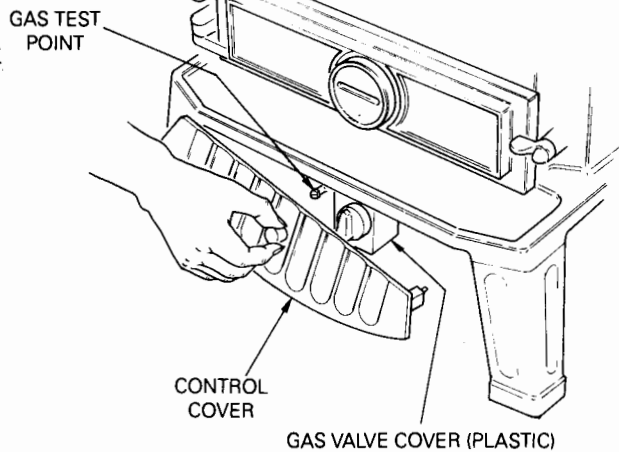


Fig.1.

DESN 510273

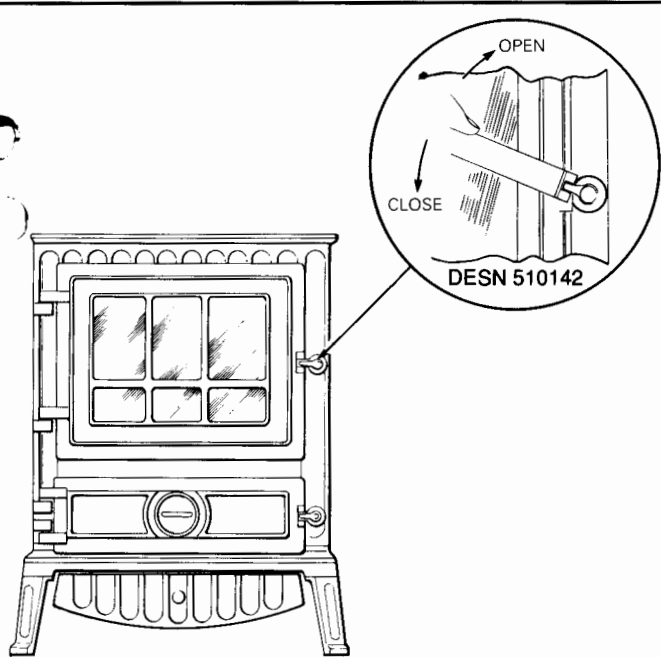


Fig.1b.

DESN 510270

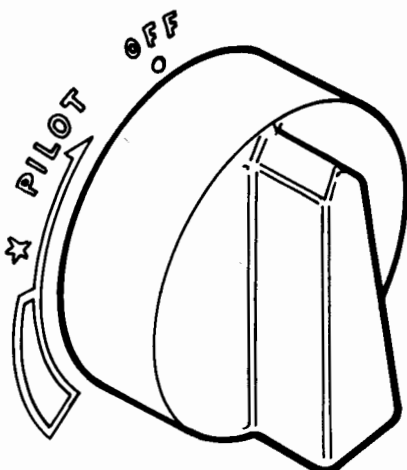


Fig.2.

DESN 510133

TO LIGHT THE PILOT

Remove the control cover. Ensure the glass door is closed and locked and that the control knob is in the OFF position.

Fully depress the control knob and turn anticlockwise (keeping the control knob fully depressed) until the spark (*) position has been reached. If the pilot has not lit repeat the operation.

Once the pilot is lit continue to hold in the control knob for a further 10-15 seconds to establish the pilot. When the control knob is released the pilot should remain alight. If the pilot fails to remain alight repeat the procedure but hold the knob in longer to allow the pilot to establish.

If required the pilot may be lit by a long spill or taper as follows:

Open the door of the stove (Using the tool supplied). (See fig.1b).

Apply a lighted long spill or taper to the pilot (see fig.1) positioned at the front LH side of the burner tray.

Fully depress the control knob and turn anticlockwise (keeping the control knob fully depressed) until the spark position has been reached and the pilot should light.

Once the pilot is lit remove the long spill or taper, continue to hold the control knob for 10 to 15 seconds to establish the pilot. When the knob is released, the pilot should remain alight. If the pilot fails to remain alight, repeat the procedure, but hold knob in longer.

When pilot is established close the door (Using tool supplied).

TO LIGHT THE STOVE

If the pilot is not already alight, light the pilot as described. Slightly depress and turn the control knob anti-clockwise from the pilot position to the maximum position. The fire will then ignite.

Adjust the heat output as required by turning the control knob clockwise towards the minimum position.

WARNING: UNDER NO CIRCUMSTANCES SHOULD THE APPLIANCE BE OPERATED BELOW THE SET MINIMUM RATE SPECIFIED.

Replace the control cover.

TO TURN THE STOVE OFF

Fully depress and turn the control knob clockwise to the pilot position and release the knob. The stove will go out and the pilot will remain lit and may be left on permanently.

TO TURN THE STOVE AND PILOT OFF

To turn the stove OFF fully depress the control knob clockwise to the OFF position and the pilot will go out. Ensure that the safety lock is engaged, i.e., the control knob will not turn unless depressed.

CLEANING

Cleaning should be carried out when the stove is turned OFF and is cold.

Exterior of the stove should be wiped down with a damp sponge.

The flame effect of the stove may deposit some soot in the coals, or back of the stove. This is quite normal and need not be cleaned off but if desired can be removed by careful use of a soft brush.

WARNING: DO NOT USE A VACUUM CLEANER

Remove the coals for cleaning and replace as described below.

REMOVING AND REPLACING COALS

Ensure that the stove and pilot are turned OFF and that the stove is cold.

Open the door of the stove. (Using the tool supplied).

In time due to expansion and contraction the 'coals' may settle. The settlement of the 'coals' may cause minor abrasions and expose some white spots. These white spots usually add realism to the stove when in operation.

UNDER NO CIRCUMSTANCES TRY TO RE-COLOUR THE COALS WITH PAINT.

If the settlement of the 'coals' has produced any unsatisfactory flame pattern, or if the 'coals' need to be replaced, remove the existing 'coals' and replace as follows.

NOTE: IF THE VERMICULITE IS DISTURBED DURING THE REMOVAL OF THE COALS ENSURE THAT IT'S MADE LEVEL, BY USING THE BURNER TRAY ASSEMBLY SIDES AS A GUIDE.

Ensure that the ceramic turbulators are correctly positioned over the aeration tubes. (See Fig.3).

Ensure the Burner Rear Spacer Plate is correctly located (See fig.3).

Small Coals

IT IS IMPORTANT THAT THESE COALS ARE POSITIONED AS ACCURATELY AS POSSIBLE, THEY SUPPORT THE SECOND LAYER OF LARGE COALS AND, IF THEY ARE PLACED TOO CLOSE TOGETHER IT WILL AFFECT THE FLAME PICTURE.

Place the 25 small coals on the vermiculite bed as shown in fig 4 leaving a gap of at least 12mm between each of the coals.

Large Coals

IT IS IMPORTANT THAT WHEN THE LARGE COALS ARE PLACED THAT EACH COAL IS STABLE AND IS NOT LIKELY TO ROLL, OR FALL OUT OF ITS POSITION.

Place a large coal on top of each turbulator (See Fig.5).

Place a layer of 14 coals on top of the small coals, keeping the coals reasonably open (see fig.6).

Place 10 large coals to the rear of the stove (see fig.7).

Place the remaining 17 large coals on top of the large coals on the fuelbed, excluding the 5 across the front (see fig.8).

Place the 5 finger coals on top of the coals at the rear of the stove to break up the regular appearance of the coal bed (See Fig. 9).

Close the door and lock (using the tool supplied). (See fig.1b).

WARNING: USE ONLY THE SIMULATED COALS SUPPLIED WITH THE APPLIANCE TO BUILD THE BED. UNDER NO CIRCUMSTANCES USE EXTRA COALS OR PUT ANY OTHER MATERIAL ON TO THE FIRE BED.

DO NOT OPERATE THE STOVE WITH THE DOORS OPEN OR WITH A BROKEN GLASS PANEL.

Hands should be washed after handling coals.

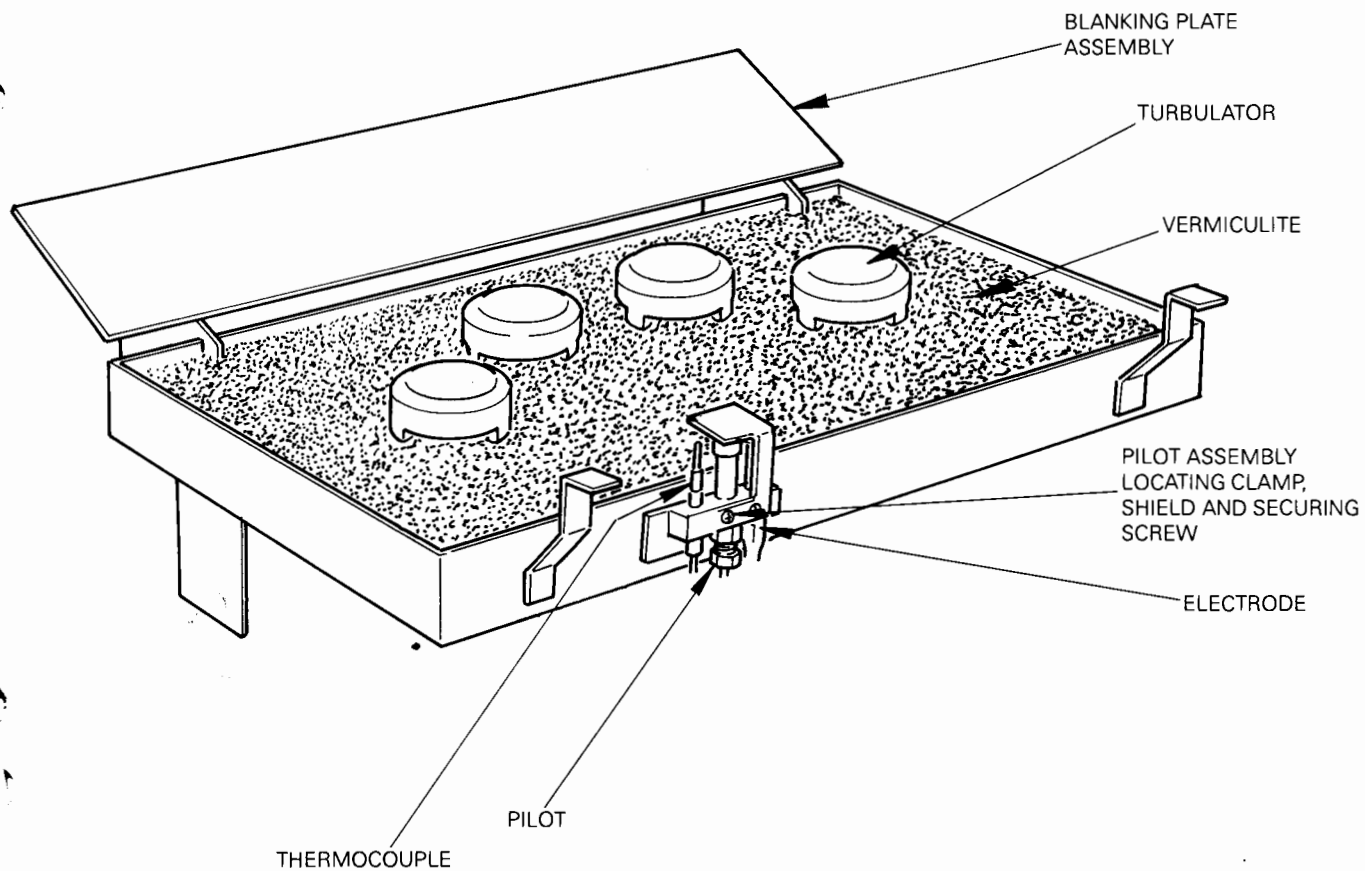


Fig.3

DESN 510271

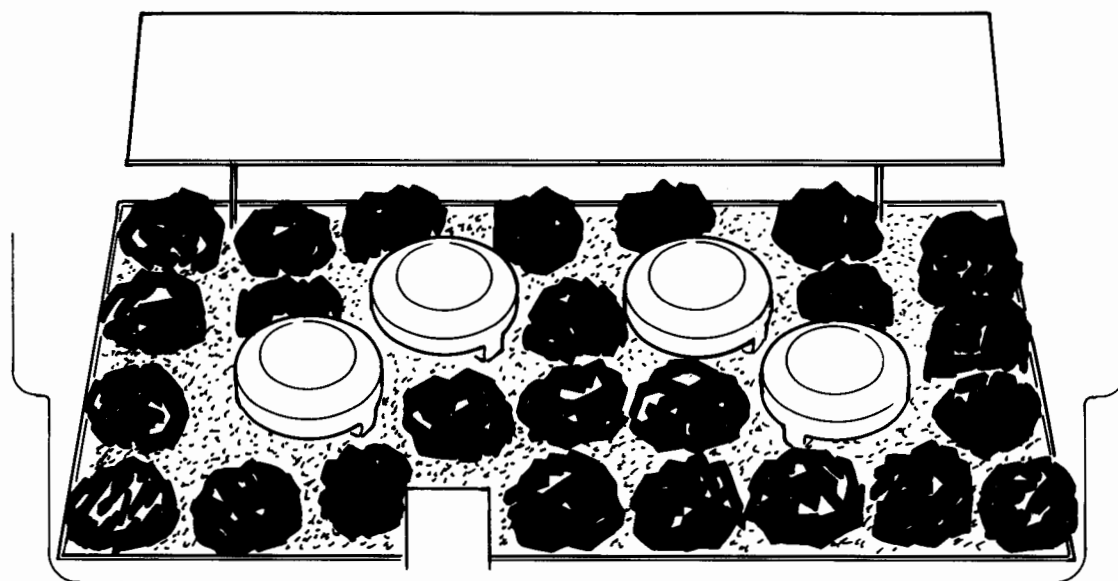


Fig 4 ADD (25) SMALL COALS SPACED 12MM (1/2") APART

DESN 510264

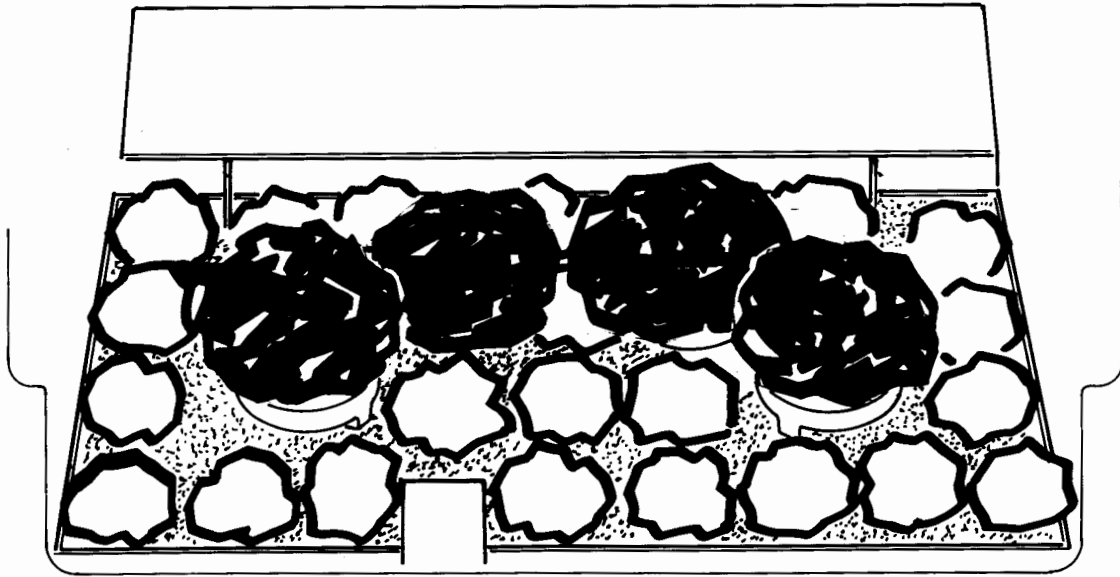


Fig 5 ADD (4) LARGE COALS ON THE
TOP OF THE TURBULATORS

DESN 510265

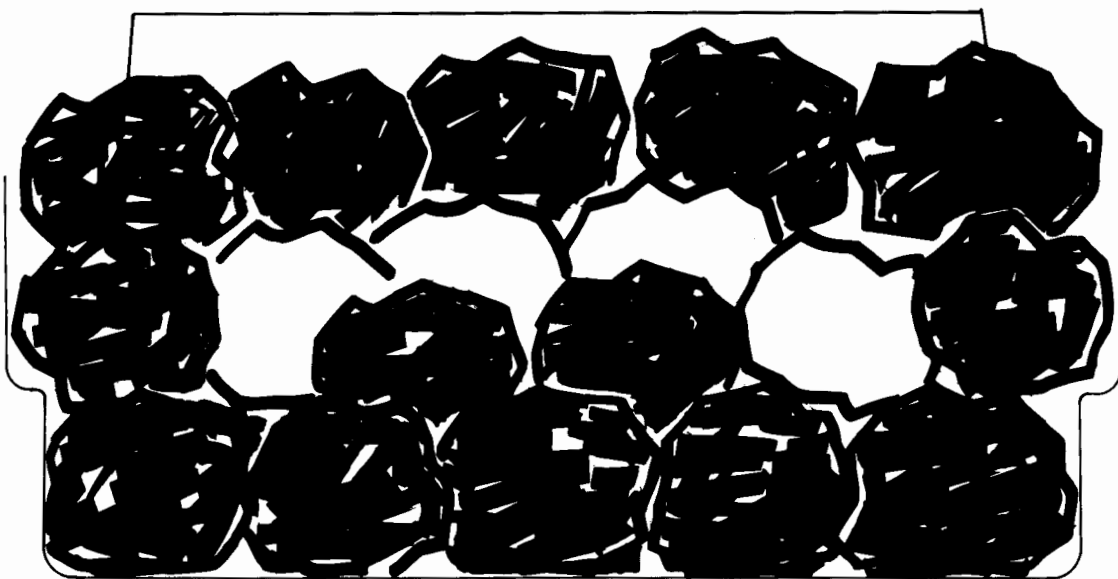


Fig 6 ADD (14) LARGE COALS

DESN 510266

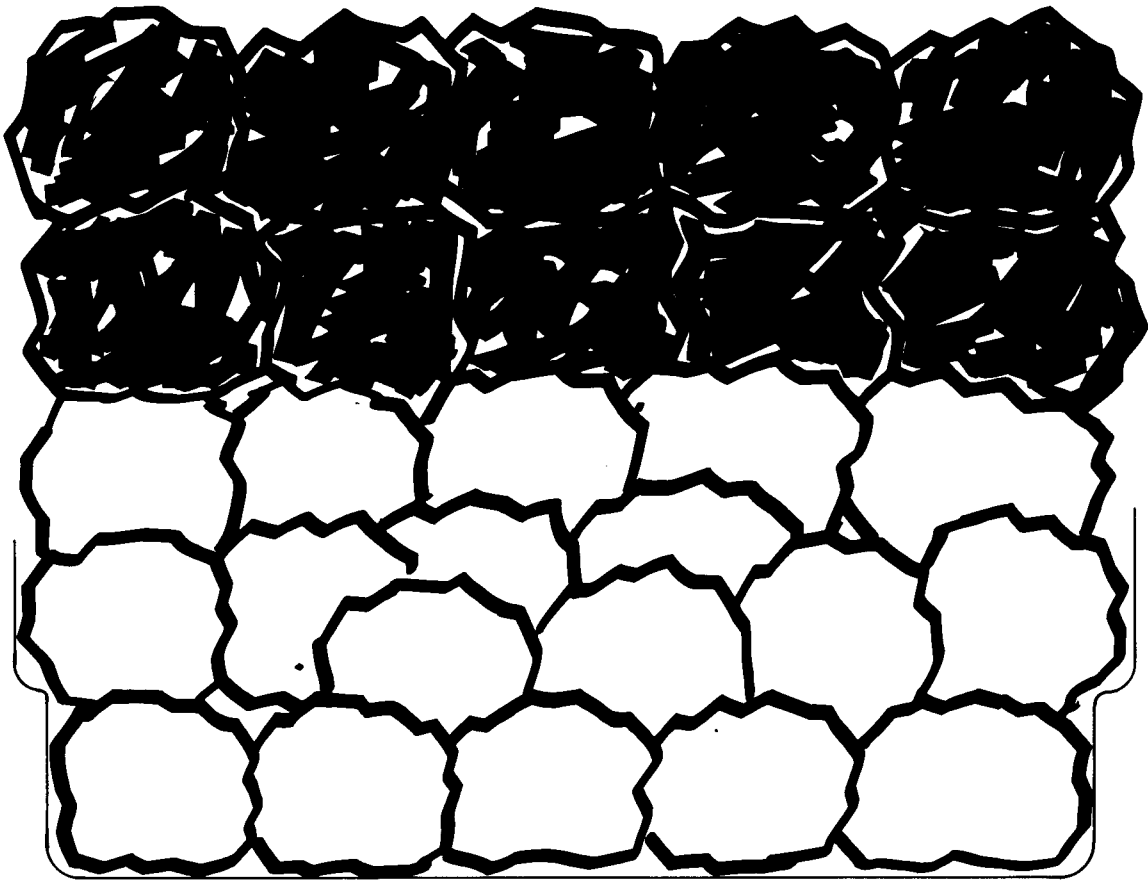


Fig 7 ADD (10) LARGE COALS

DESN 510267

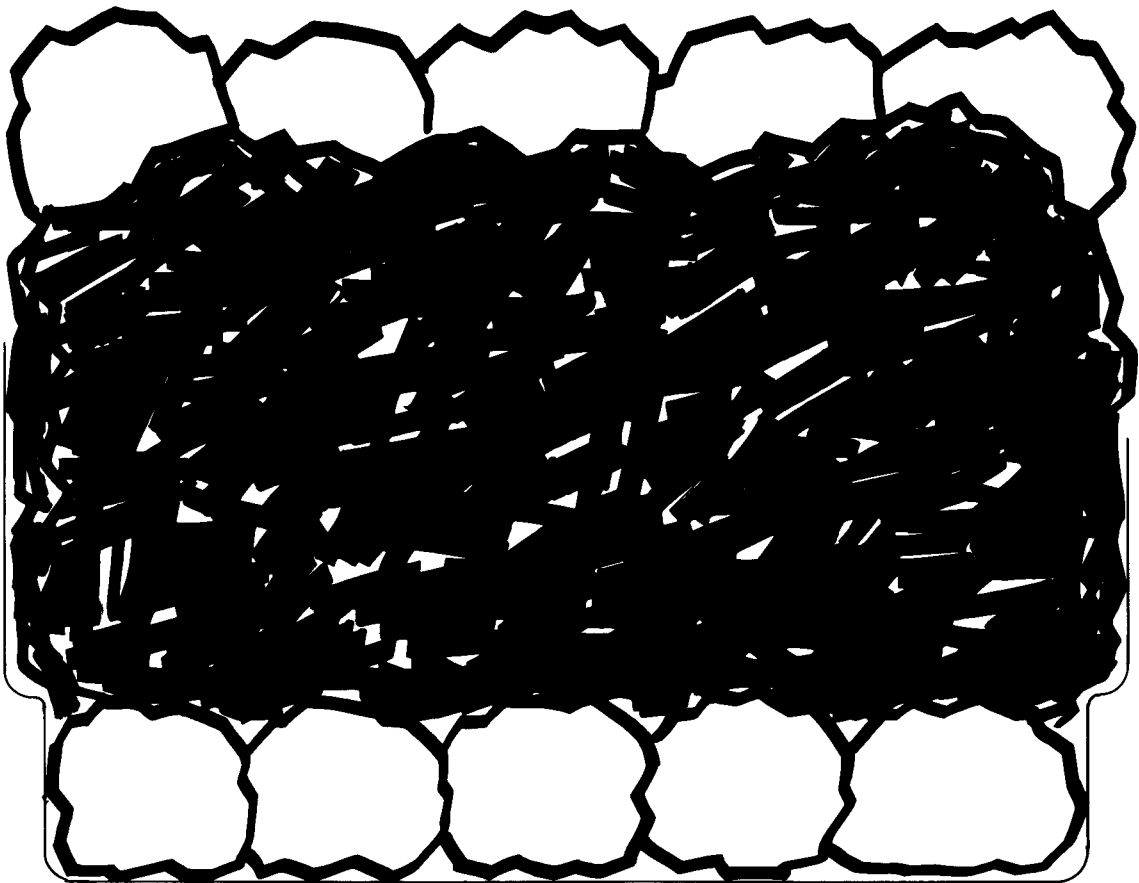


Fig 8 ADD (17) LARGE COALS

DESN 510268

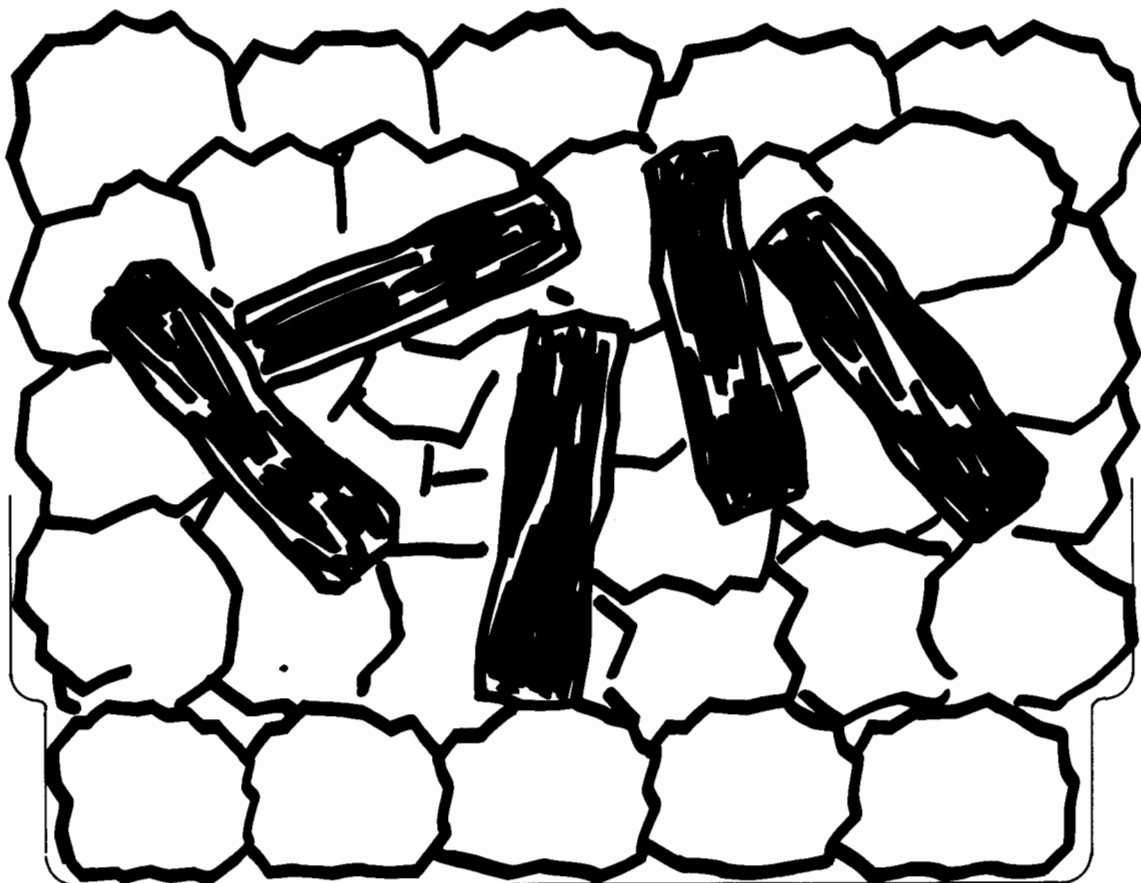


Fig. 9 ADD (5) FINGER COALS

DESN 510269

MAINTENANCE

If you require any of the below user replacement items or if you have any difficulty with the fire, consult your original supplier quoting the stove's name. Coalbrookdale GS2 - Serial No. (found on Data Plate on inside of ashpit door).

Serial No.

The appliance should be serviced annually by a competent person (e.g. a CORGI registered installer).

HEAT OUTPUTS

Top Rear Open Flue Model

Maximum Setting	Minimum Setting	Maximum Setting	Minimum Setting
NG	NG	PROPANE	PROPANE
Output	Output	Output	Output
5.0kW (17,000 Btu/h)	2.0kW (6,800 Btu/h)	4.5kW (15,350 Btu/h)	1.9kW (6,500 Btu/h)

REPLACEMENT PARTS

These are available from your supplier, and such items which can be changed are:

Item	Makers Part Number
Coals - Black (25 small) Coals - Black (45 large) Coals - Black (5 finger)	HG1M 412039
Turbulator	FG4M 420450
Vermiculite Pack	FG4M 412040
Door Tool	HS9M 47520 COMP

With Coalbrookdale's policy of continuous product improvement, the Company reserves the right to change specifications and make Modifications to the appliance described and illustrated at any time.

COALBROOKDALE



Glynwed Consumer Products Ltd.

PO Box 30 Ketley Telford Shropshire TF1 4DD

Telephone (0952) 642000 Telex 35196 Fax (0952) 641961