

## **WARNING**

This information is a copy of an original archive,  
therefore Aga-Rangemaster cannot be held  
responsible for its continued accuracy or relevance

# THE COALBROOKDALE GS1

## Operating Instructions for The Coalbrookdale GS1 Gas Fired Stove

### Consumer Protection Act 1987

As manufacturers and suppliers of cooking and heating products, in compliance with Section 10 of the Consumer Protection Act 1987. We take every care to ensure, as far as is reasonably practicable, that these products are so designed and constructed as to meet the general safety requirement when properly used and installed. To this end, our products are thoroughly tested and examined before despatch.

**IMPORTANT NOTICE:** Any alteration that is not approved by Rayburn, could invalidate the approval of the appliance, the warranty and could also infringe the current issue of the statutory requirements.

**Control of Substances – Health and Safety Important:**

This appliance could contain any of the materials that are indicated below. It is the Users/Installers responsibility to ensure that the necessary personal protective clothing is worn when handling, where applicable, the pertinent parts that contain any of the listed materials that could be interpreted as being injurious to health and safety, see below for information.

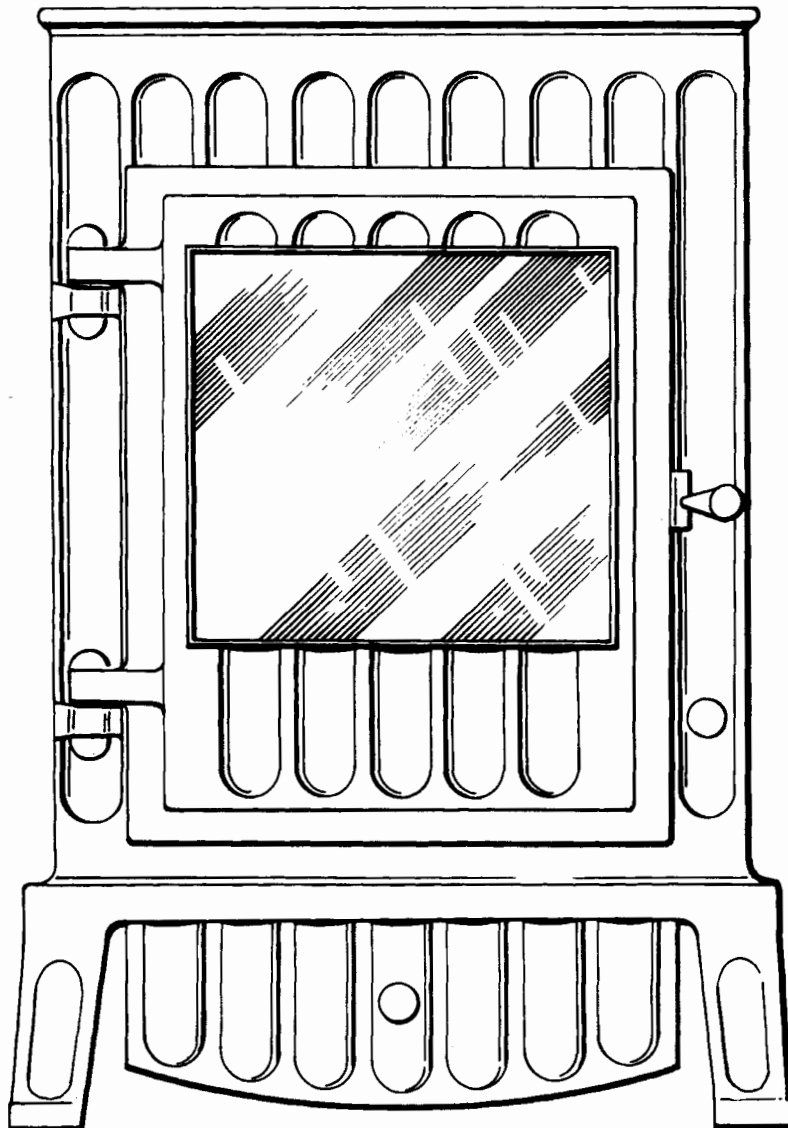
Firebricks, Fuelbeds, Artificial Fuel – when handling use disposable gloves.

Fire cement – when handling use disposable gloves.

Glues and sealants – exercise caution – if these are still in liquid form use face mask and disposable gloves.

Glass Yarn, Mineral Wool, Insulation Pads, Ceramic Fibre, – may be harmful if inhaled, may be irritating to skin, eyes, nose and throat.

When handling avoid inhaling and contact with skin or eyes. Use disposable gloves, face masks and eye protection. After handling wash hands and other exposed parts. When disposing of the product reduce dust with water spray, ensure that parts are securely wrapped.



Dear Customer,

Your gas stove is for use on natural gas only. If installed in accordance with the installation instructions and operated in accordance with these users instructions should provide many years of safe and efficient operation.

Please complete the separate guarantee card and return it to us within 28 days of purchase. This will enable us to record the details of your purchase and keep you advised of any future developments.

We thank you for purchasing our product and trust it will provide many years of excellent service.

## GUARANTEE

The components of this appliance are guaranteed for one year. We agree to repair free of charge or, at our option, replace the appliance or part thereof which may prove to be defective within one year of purchase.

Please retain your purchase receipt. Our Service Engineer will need to see this in the event of a claim under warranty.

## IMPORTANT NOTES

Your Coalbrookdale GS1 is a Natural or LPG gas stove.

Due to the newness, the stove may give off a slight smell for a short period after commissioning. This is quite normal and will disappear after a few hours of operation, open doors and windows if required.

The installation of the stove must be carried out by a competent person in accordance with the above regulations. Failure to install appliances correctly could lead to prosecution.

Before installation of your stove your installer should check that the chimney is sound, free from obstruction and clean. If the stove is to be installed to chimney previously used for solid fuel, it **MUST** be swept prior to the installation taking place.

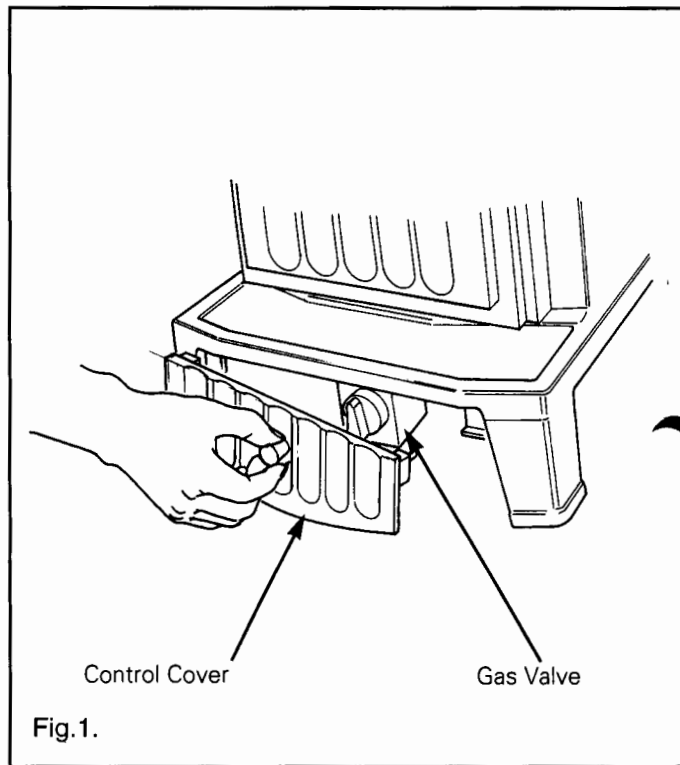
The hearth under the stove should never be covered with combustible flooring or material.

**WARNING: DO NOT OPERATE THE STOVE WITH THE GLASS DOOR OPEN.**

The Coalbrookdale GS1 has been designed to relevant safety standards but during use, many parts of the appliance can become hot to touch. Provide and secure a fireguard complying with BS 6539 when the room is used by elderly, infirm or young persons.

The chimney should be checked on a regular basis to ensure continued clearance of combustion products and that there is no accumulation of debris or soot etc. It is recommended that the appliance is inspected/serviced on a regular basis by a competent person.

Combustible furniture or materials must not be placed closer than 1m (39in) in front of this stove. Clothing or other flammable material should not be placed on the stove castings.



## OPERATION OF THE STOVE

The gas to the stove is controlled by a pilot light, control knob and a safety feature called a flame supervision device.

To gain access to the gas control knob, remove the control cover (fig.1.).

The lighting instructions are marked with positions for OFF (●), PILOT (\*), and a graduated section for minimum, and maximum, gas rate (fig.2.).

The pilot is fitted with a piezo spark ignitor.

**NOTE: If the main burner or pilot are extinguished for any reason, DO NOT attempt to relight the pilot for three minutes.**

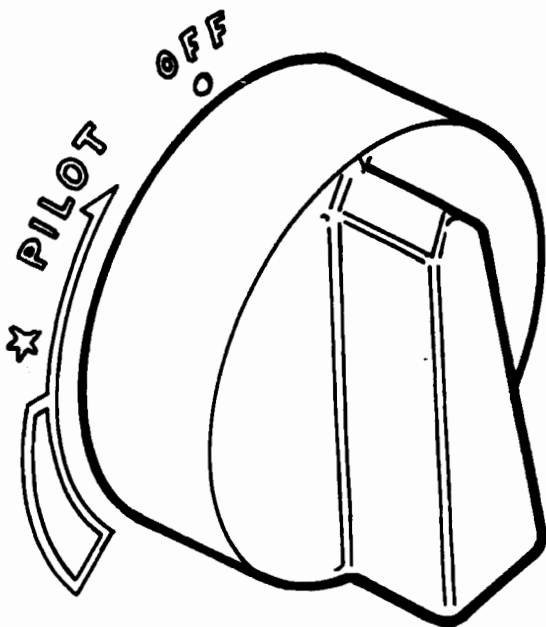


Fig.2.

## TO LIGHT THE PILOT

Ensure that the control knob is in the OFF position.

Fully depress the control knob and turn anticlockwise (keeping the control knob fully depressed) until the spark position has been reached. If the pilot has not lit repeat the operation.

Once the pilot is lit continue to hold in the control knob for a further 10-15 seconds to establish the pilot. When the control knob is released the pilot should remain alight. If the pilot fails to remain alight repeat the procedure but hold the knob in longer to allow the pilot to establish.

If required the pilot may be lit by a long spill or taper as follows:

Open the door of the stove (Using the tool supplied)

Apply a lighted long spill or taper to the pilot (see fig.1) positioned at the front LH side of the burner tray.

Fully depress the control knob and turn anticlockwise (keeping the control knob fully depressed) until the spark position has been reached and the pilot should light.

Once the pilot is lit remove the long spill or taper, continue to hold the control knob for 10 to 15 seconds to establish the pilot. When the knob is released, the pilot should remain alight. If the pilot fails to remain alight, repeat the procedure, but hold knob in longer.

When pilot is established close the door (Using tool supplied).

## TO LIGHT THE STOVE

If the pilot is not already alight, light the pilot as described. Slightly depress and turn the control knob anti-clockwise from the pilot position to the maximum

position. The fire will then ignite.

Adjust the heat output as required by turning the control knob anti-clockwise towards the minimum position. Close the access door.

## TO TURN THE STOVE OFF

Fully depress and turn the control knob clockwise to the pilot position and release the knob. The stove will go out and the pilot will remain lit and may be left on permanently.

## TO TURN THE STOVE AND PILOT OFF

To turn the stove OFF fully depress the control knob clockwise to the OFF position and the pilot will go out. Ensure that the safety lock is engaged, i.e., the control knob will not turn unless depressed.

## CLEANING

Cleaning should be carried out when the stove is turned OFF and is cold.

Exterior of the stove should be wiped down with a damp sponge.

The flame effect of the stove may deposit some soot in the coals, or back of the stove. This is quite normal and need not be cleaned off but if desired can be removed by careful use of a soft brush.

### WARNING: DO NOT USE A VACUUM CLEANER

Remove the coals for cleaning and replace as described below.

## REMOVING AND REPLACING COALS

Ensure that the stove and pilot are turned OFF and that the stove is cold.

Open the door of the stove. (Using the tool supplied).

In time due to expansion and contraction the 'coals' may settle. It is suggested that the coals, unless satisfactory, be re-arranged. The settlement of the coals may cause minor abrasions and expose some white spots. These white spots usually add realism to the stove when in operation.

UNDER NO CIRCUMSTANCES TRY TO RE-COLOUR THE COALS WITH PAINT.

If the coals are to be changed or re-arranged, remove the existing coals and replace as follows.

Ensure that the ceramic turbulators are correctly positioned over the aeration tubes (fig.3).

Place a layer of small coals on the fire bed. It is important to leave approximately 12mm (0.5") between each of the bottom layer of coals. If they are too close together the flame picture may lose some realism (fig.4)

Place a large coal on top of each turbulator, place a layer of five large coals on top of the small coals; keeping the coals reasonably open and stable (fig.5 & 6).

Place the finger coals on top of the large coals and any remaining large coals place towards the back of the stove to break up the regular appearance of the coals (fig.7 & 8).

Ensure that no coals are in such a position that they could fall off the stove bed.

Close the door and lock. (Using the tool supplied).

**WARNING: DO NOT OPERATE THE STOVE WITH THE GLASS DOOR OPEN, OR WITH A BROKEN GLASS PANEL**

**UNDER NO CIRCUMSTANCES SHOULD EXTRA COALS BE ADDED TO THE FIRE BED**

Hands should be washed after handling coals.

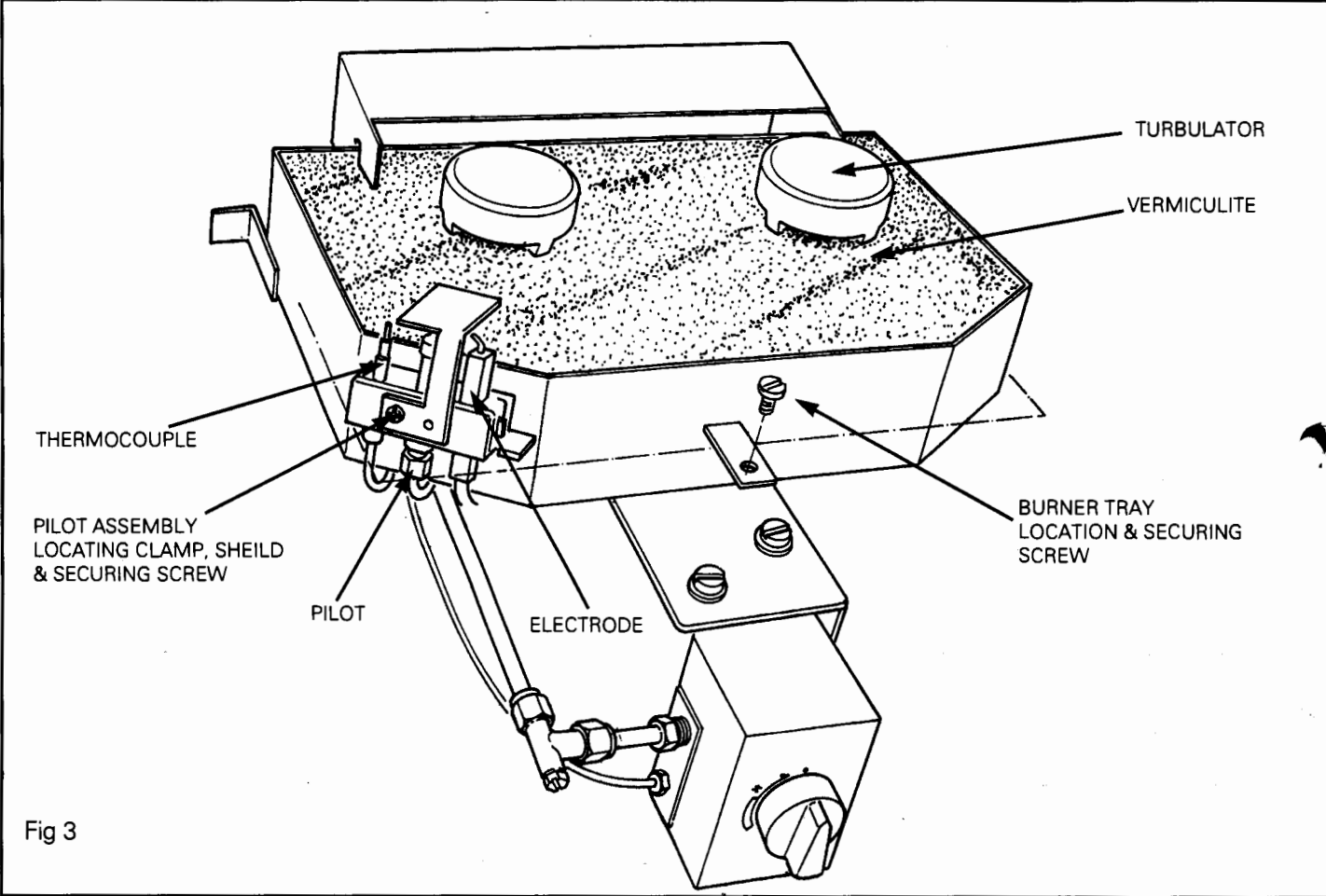


Fig 3

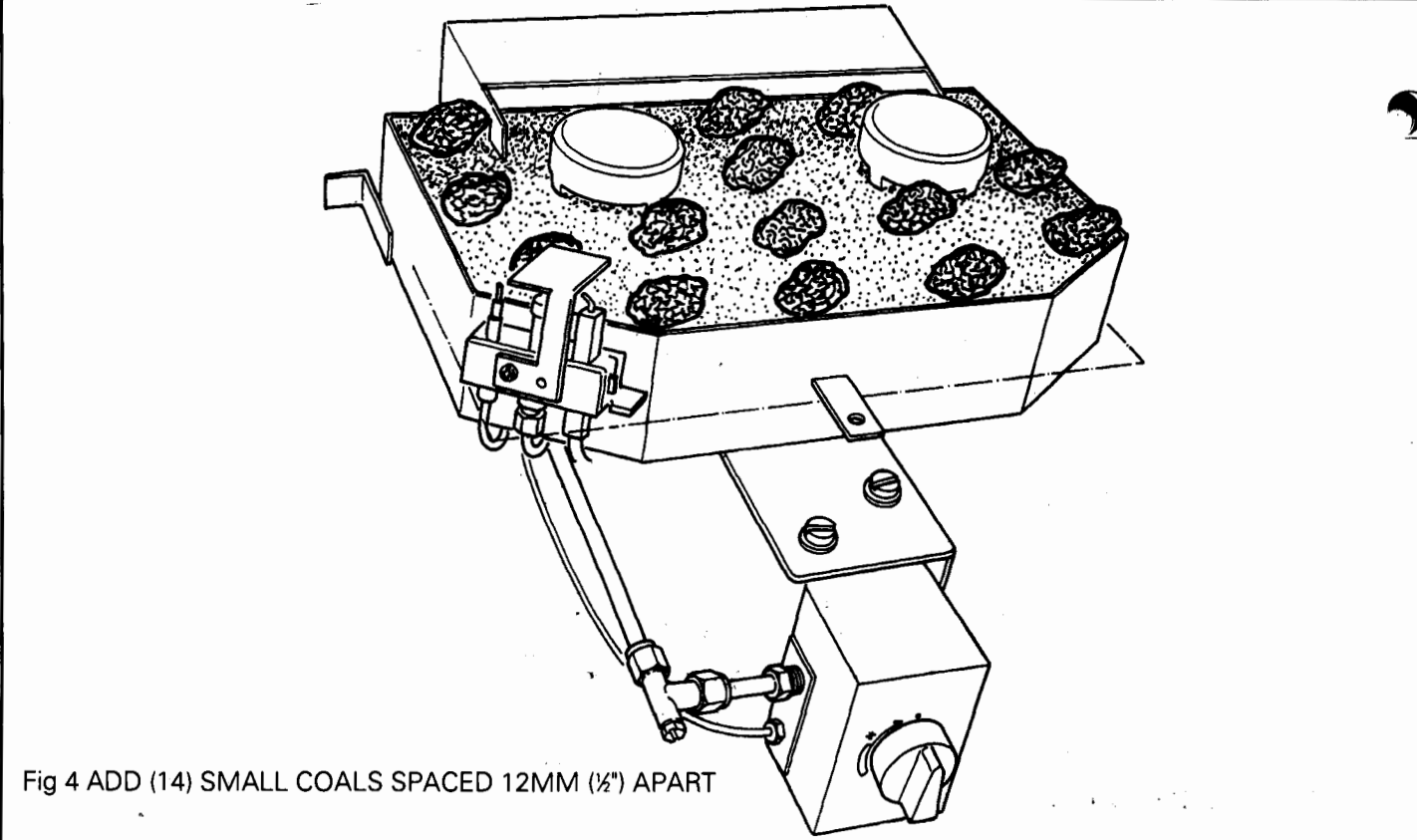


Fig 4 ADD (14) SMALL COALS SPACED 12MM (1/2) APART

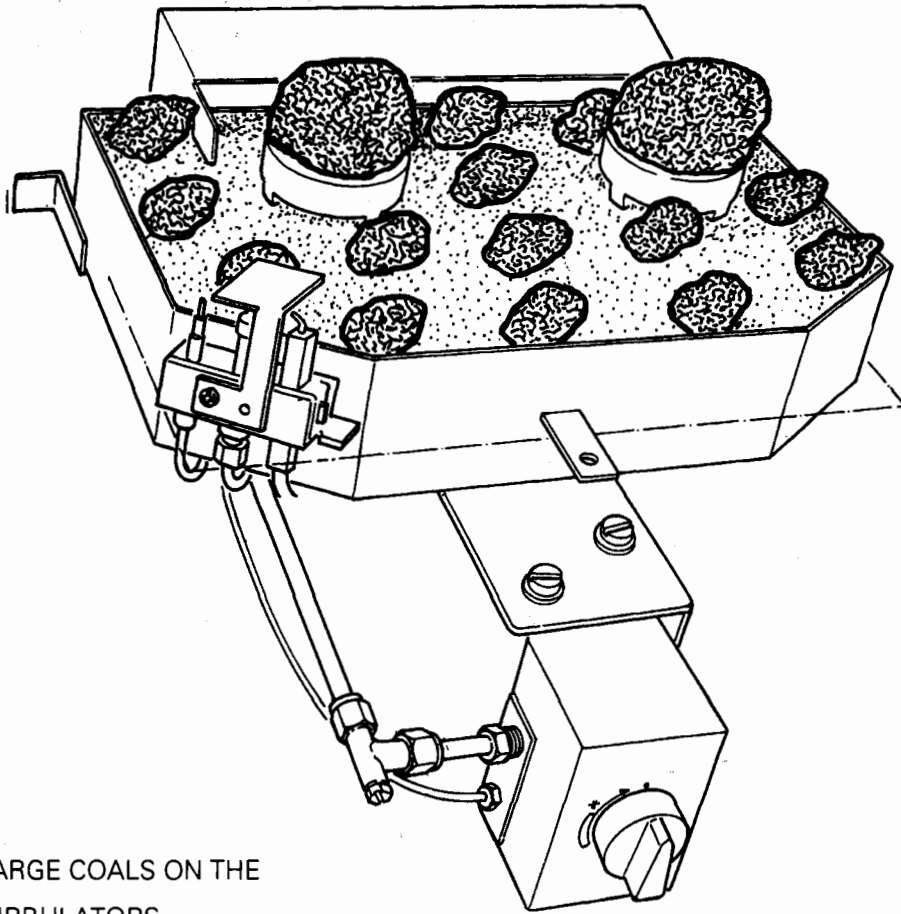


Fig 5 ADD (2) LARGE COALS ON THE TOP OF THE TURBULATORS

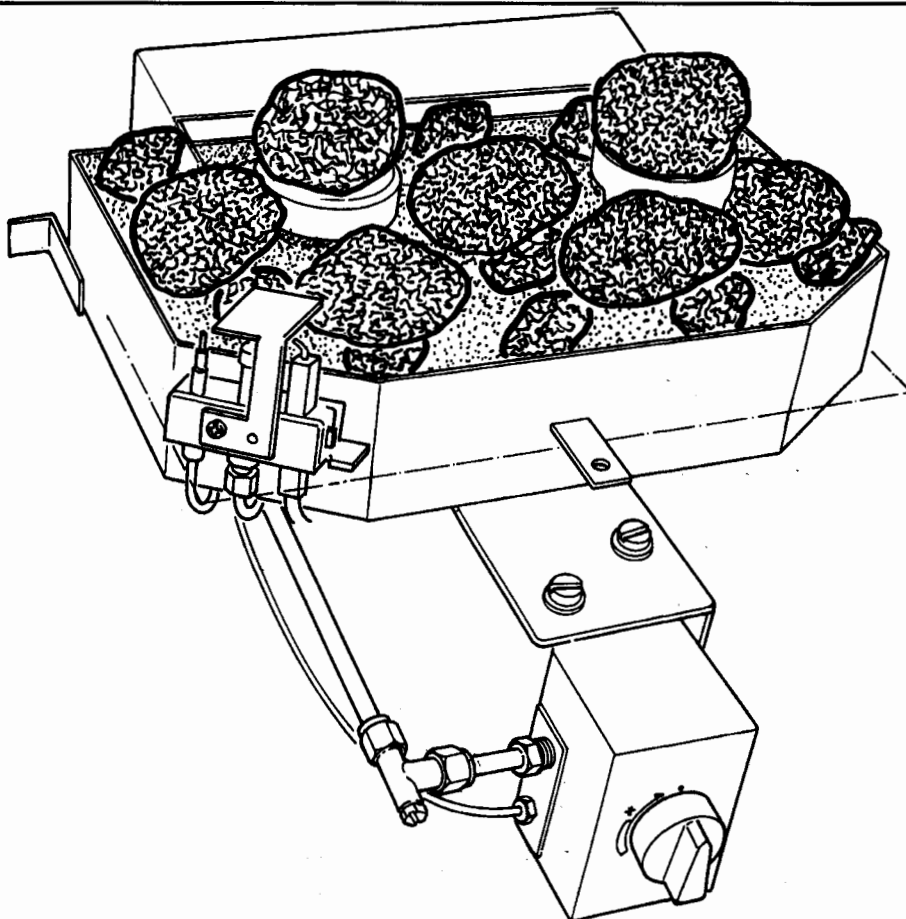


Fig 6 ADD (5) LARGE COALS

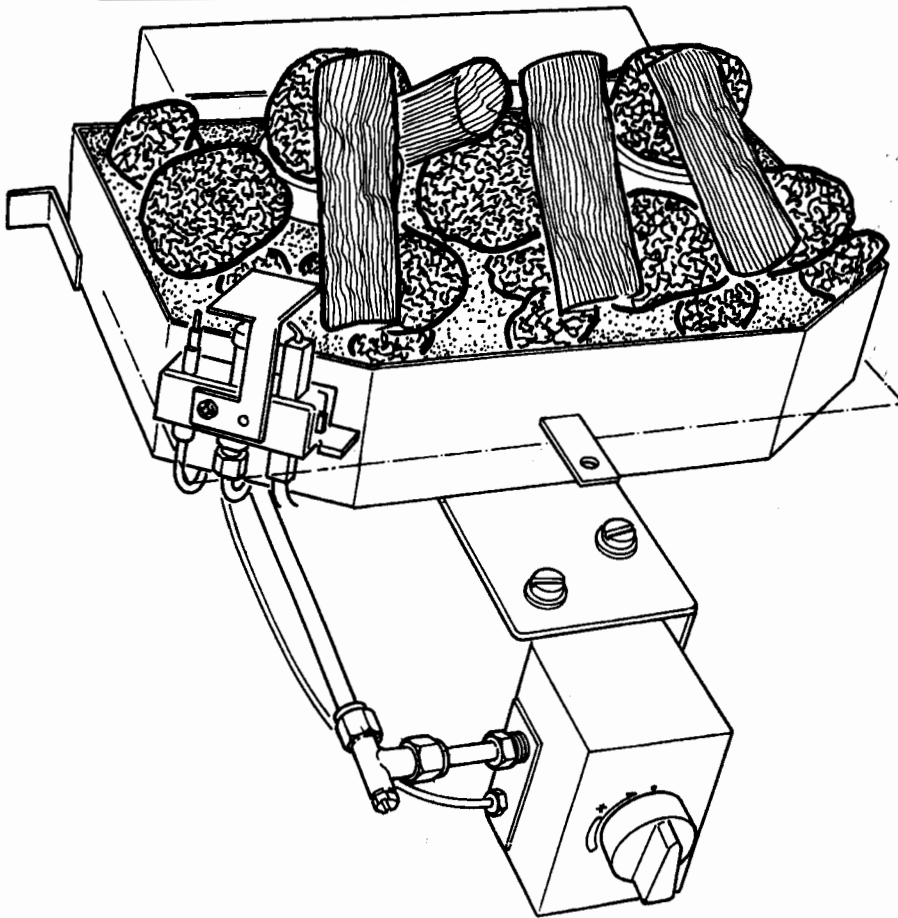


Fig 7 ADD (4) FINGER COALS

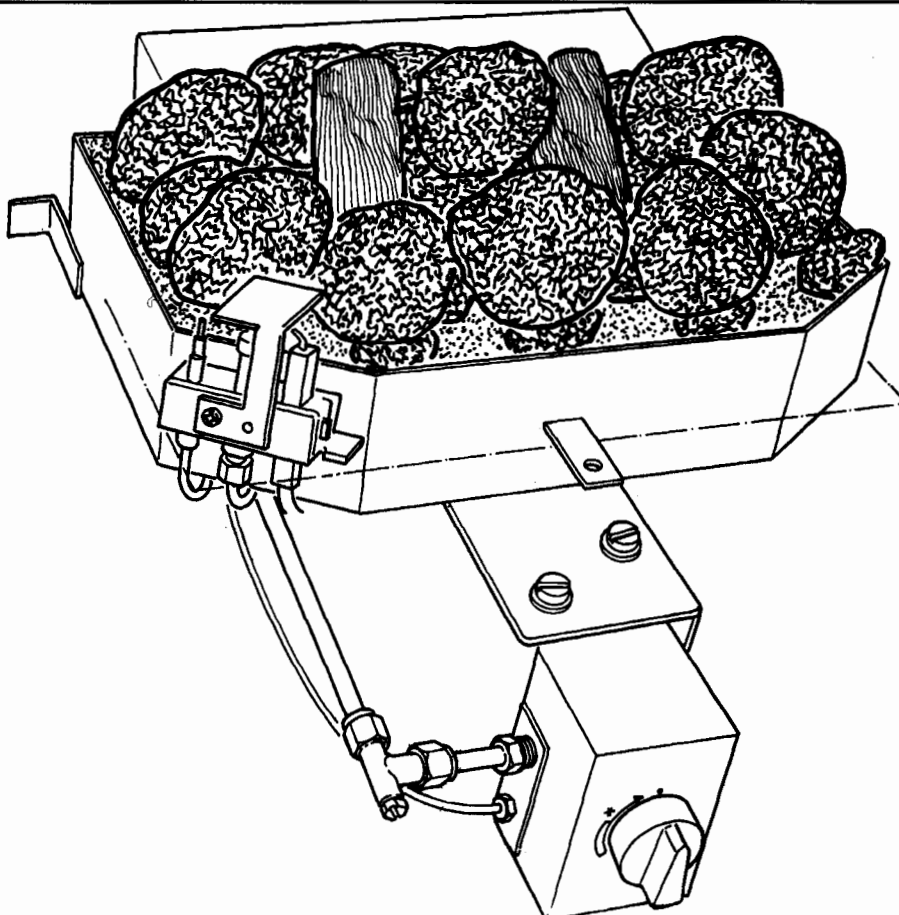


Fig 8 ADD (7) OF THE REMAINING LARGE COALS

## MAINTENANCE

If you require any of the below user replacement items or if you have any difficulty with the fire, consult your original supplier quoting the stove's name. Coalbrookdale GS1 - Serial No. - GC No. (found on Data Plate on inside of glass door).

GC No.

Serial No.

The appliance should be serviced at regular intervals by a registered gas fitter to ensure safe operation.

## RUNNING COSTS

### Closure Plate Model

Maximum Setting	Minimum Setting
NG	NG
Output	Output
4.3kW (14,700 Btu/h)	1.75kW (6,200 Btu/h)

Maximum Setting
LPG
Output
4.3kW (14,700 Btu/h)

Minimum Setting
LPG
Output
1.75kW (6,200 Btu/h)

### Top Rear Open Flue Model

Maximum Setting	Minimum Setting
NG	NG
Output	Output
3.6kW (12,400 Btu/h)	1.5kW (5,200 Btu/h)

Maximum Setting
LPG
Output
3.6kW (12,400 Btu/h)

Minimum Setting
LPG
Output
1.5kW (5,200 Btu/h)

## REPLACEMENT PARTS

These are available from your supplier, and such items which can be changed are:

### Item

Coals - Black (14 small) KTW 111

Coals - Black (14 large) KTW 112

Coals - Black (4 finger) KTW 113

Turbulators

Vermiculite