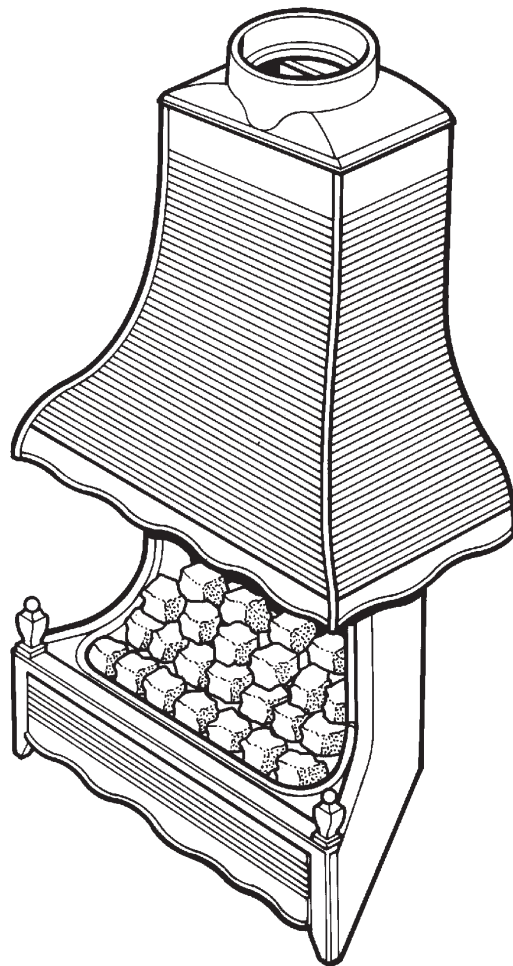


WARNING

This information is a copy of an original archive, therefore Aga cannot be held responsible for its continued accuracy.

COALBROOKDALE

REMBRANDT 18G/L GAS FIRE
(for use with N.G. or L.P.G.)



Owners Manual
comprising User, Installation
and Servicing Instructions

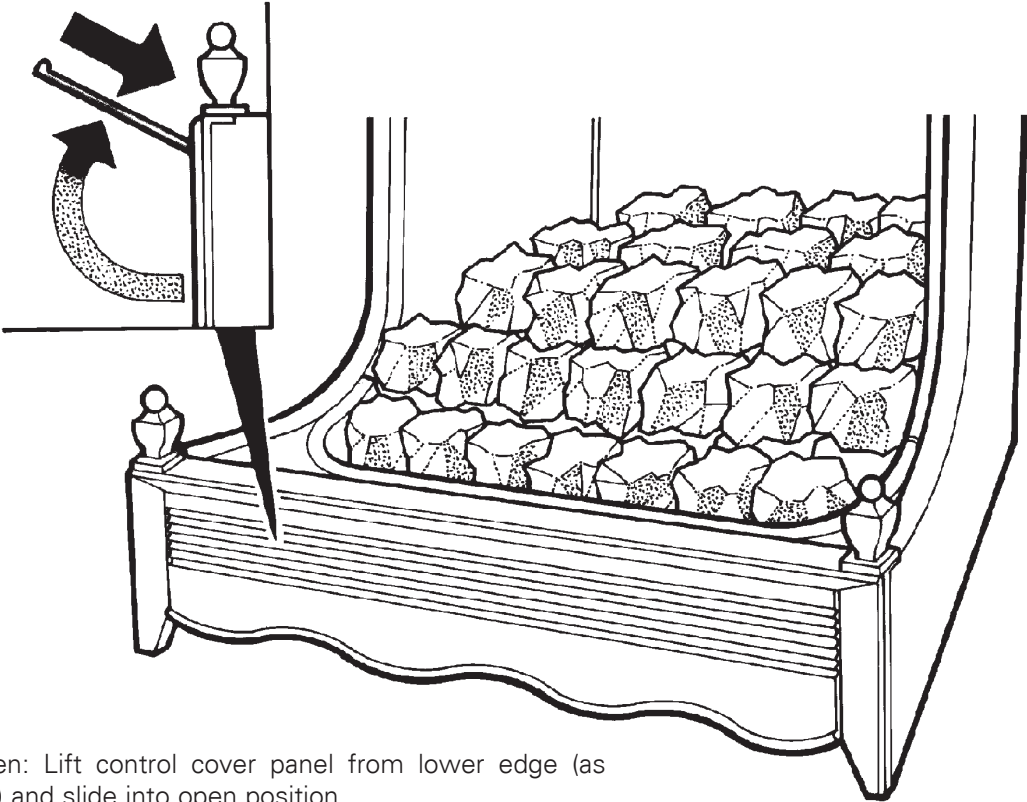
**PLEASE READ THESE INSTRUCTIONS BEFORE USING, INSTALLING
AND SERVICING THIS APPLIANCE**

REMEMBER, when replacing a part on this fire, use only spare parts that you can be assured conform to the safety and performance specification that we require. Do not use reconditioned or copy parts that have not been clearly authorised by AGA-RAYBURN.

CONTENTS

SECTION	PAGE
CONTROL COVER PANEL ACCESS	3
MAIN FIRE CONTROLS	3
CONSUMER PROTECTION	4
HEALTH & SAFETY	4
USERS GUIDE	5
GUARANTEE	6
IMPORTANT NOTES	6
INTRODUCTION	7
OPERATION OF THE GAS FIRE	8
TO LIGHT THE PILOT	8
TO TURN THE FIRE OFF	8
TO TURN THE FIRE AND THE PILOT OFF	8
CONTROL POSITIONS	9
CLEANING	10
REMOVING AND REPLACING COALS	10
MAINTENANCE	10
REPLACEMENT ITEMS	10
INSTALLATION AND SERVICING SECTION	11
TECHNICAL DATA	12
THE LOCATION	13
INSTALLATION INSTRUCTIONS	13
THE FLUE	14
AIR SUPPLY	15
EFFECT OF EXTRACTION FAN	15
APPLIANCE ASSEMBLY	16
FITTING THE FLUE CAP	16
ASSEMBLY OF FINIALS	16
FLUE CONNECTION	17
INSTALLING THE APPLIANCE	17-18
GAS CONNECTION	19
LAYING THE FUEL BED	20-23
COMMISSIONING	24
TO LIGHT THE PILOT	24
CONTROL POSITIONS	24
CHECKS FOR CLEARANCE OF PRODUCTS OF COMBUSTION	25
INSTRUCT THE USER	25
SERVICING	26
SERVICING PROCEDURE	26

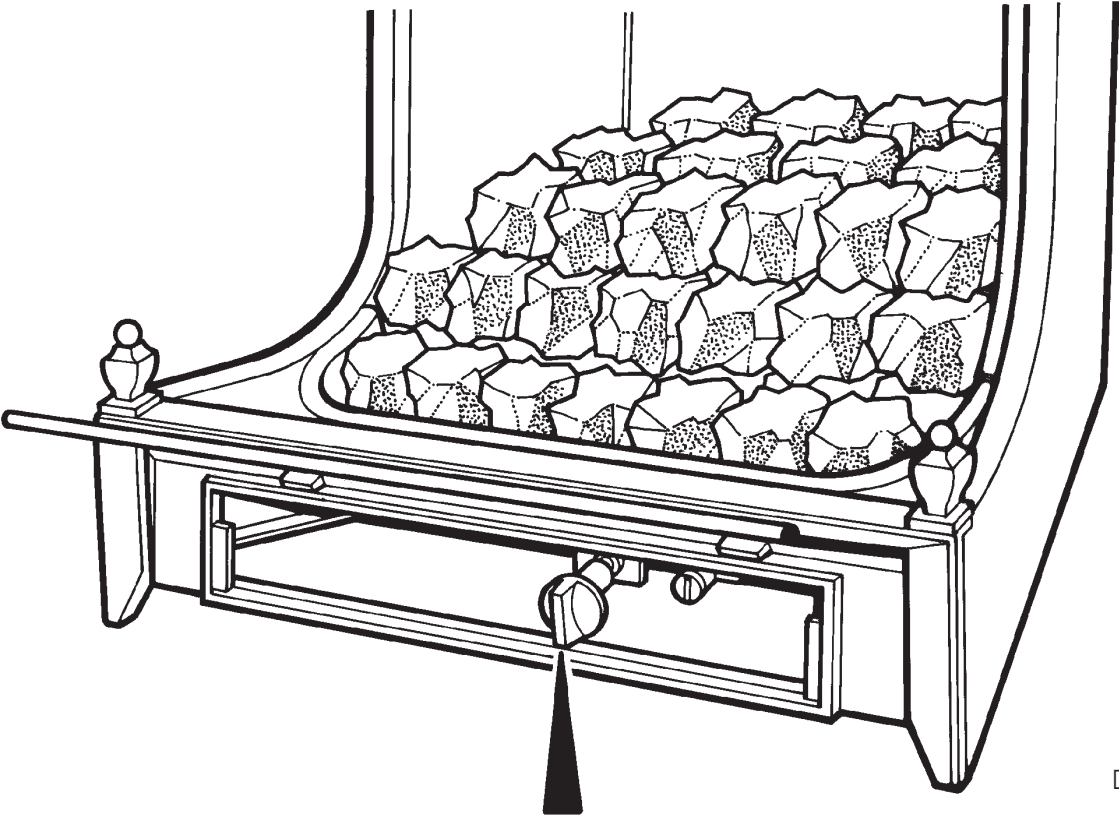
CONTROL COVER PANEL ACCESS



To Open: Lift control cover panel from lower edge (as shown) and slide into open position.

DESN 512256

MAIN FIRE CONTROLS



CONTROL KNOB

DESN 512257

Consumer Protection

As manufacturers and suppliers of cooking and heating products, we take every care to ensure, as far as is reasonably practical, that these products are so designed and constructed as to meet the general safety requirement when properly used and installed. To this end, our products are thoroughly tested and examined before despatch.

IMPORTANT NOTICE: Any alteration that is not approved by Aga-Rayburn could invalidate the approval of the appliance, operation of the warranty and could affect your statutory rights.

Health & Safety

This appliance may contain some of the materials that are indicated. It is the Users/Installers responsibility to ensure that the necessary personal protective clothing is worn when handling where applicable, the pertinent parts that contain any of the listed materials that could be interpreted as being injurious to health and safety, see below for information.

Firebricks, Fuel beds, Artificial Fuels

When handling use disposable gloves.

Fire Cement

When handling use disposable gloves.

Glues and Sealants

Exercise caution - if these are still in liquid form use face mask and disposable gloves.

Glass Yarn, Mineral Wool, Insulation Pads, Ceramic Fibre

May be harmful if inhaled. May be irritating to skin, eyes, nose and throat. When handling avoid contact with skin or eyes. Use disposable gloves, face-masks and eye protection. After handling wash hands and other exposed parts. When disposing of the product, reduce dust with water spray, ensure that parts are securely wrapped.

Users

Guide

Dear Customer,

Your gas fire must be installed by a competent person (e.g. A Corgi Registered Installer) in accordance with the Installation Section of the Owners Manual and operated in accordance with the Users Guide, if so it should provide many years of safe operation.

Please complete the separate guarantee card and return to use within 28 days of purchase. This will enable us to record the details of your purchase and keep you advised of any future developments.

We thank you for purchasing our product and trust it will provide many years of excellent service.

GUARANTEE

The components of this appliance are guaranteed for one year. We agree to repair free of charge, or, at our option, replace the appliance or part thereof which may prove to be defective within one year of purchase.

Please retain your purchase receipt. Our Service Engineer will need to see this in the event of a claim under warranty.

IMPORTANT NOTES

Your Coalbrookdale Rembrandt 18G/L Gas Fire is a natural or propane gas fire.

Due to the newness the appliance may give off a slight smell for a short period after commissioning. This is quite normal and will disappear after a few hours of operation, open door and windows if required.

The installation of the appliance must be carried out by a competent person (e.g. CORGI Registered Installer), in accordance with the installation section of this Owners Manual and the current Gas Safety (Installation and Use) Regulations 1998 (as amended). Failure to install the appliance correctly could lead to prosecution.

Permanent ventilation must be provided into the room where the appliance is sited. This must be 100cm² MIN.

Before installation of your fire the installer should check that the chimney is sound, free from obstruction and clean. If a brick chimney is to be used for the gas fire it **MUST** be swept prior to the installation.

The hearth under the appliance should never be covered with combustible flooring or material. Do not obstruct the space beneath the appliance.

The Coalbrookdale Rembrandt 18G/L Gas Fire has been designed similar to a solid fuel fire to relevant safety standards, but during use many parts of the appliance can become **HOT** to touch. We recommend that you provide and secure a fireguard complying with BS. 6539 when the room is used by elderly, infirm or young persons.

Any alteration after the initial installation must be in accordance with the requirements of the Installation and Servicing Sections of this manual. Clarification of combustible material clearances, hearth dimensions and fluing requirements are detailed in the sections 'Location and the Flue'.

The chimney should be checked on a regular basis to ensure continued clearance of combustion products and that there is no accumulation of debris or soot etc. It is recommended that the appliance is inspected/serviced annually by a competent person (e.g. A CORGI Registered Installer).

Combustible furniture or material **MUST NOT** be placed closer than 1m in front of the appliance.

It is **NOT** recommended to have any materials, such as curtains, above the appliance or to within 1m at the sides.

Clothing or other flammable material should **NOT** be placed on the appliance.

Blown vinyl wallpaper or similar materials which have a raised pattern are easily affected by heat, so that it may scorch or become discoloured close to a heating appliance. Please bear this in mind when installing the appliance and when re-decorating.

The appliance should under **NO** circumstances be utilised for solid fuel.

PLEASE NOTE: The pilot and flame sensing device fitted to this fire also acts as an oxygen level sensing device which shuts off the appliance, if the evacuation of the products of combustion is interrupted.

If the fire shuts off, restart the main burner as stated in the section 'TO LIGHT THE PILOT'. If the appliance fails to relight or repeatedly cuts off, then do not use and inform a qualified person.

INTRODUCTION

PLEASE READ THESE INSTRUCTIONS BEFORE INSTALLING, COMMISSIONING AND USING THIS APPLIANCE.

The Coalbrookdale Rembrandt 18G/L Gas Fire is a decorative fuel effect fire and is intended for decorative use only. It is factory set to operate on natural gas (N.G.) or propane (L.P.G.) (See data label), they are not interchangeable, please check before use. It must be fitted into a fireplace having a minimum flue opening of 150mm diameter

Due to newness the fire may give off a slight smell for a short period after commissioning. This is quite normal and will disappear after a few hours operation, open windows and door if required.

NOTE: No additional coals to be used other than those supplied with the fire.

NOTE: THE CERAMIC FIBRE BLANKET SHOULD NOT BE REMOVED FROM THE BURNER.

NOTE: The appliance has a gas consumption similar to that of a small boiler (i.e. 37500 Btu (11kW)). Therefore it is essential that the gas supply pipe work, is of a size that will allow for the correct flow rate (See TECHNICAL DATA for required flow rates and pressures). Ideally the 8mm connection pipe to the burner should be as short as possible and the maximum length should not be greater than 1m, also ensure that the isolating tap does not have a reduced bore.

NOTE: This appliance must not be fitted in any room where steam is present (e.g. bathroom).

OPERATION OF THE GAS FIRE

The gas to the fire is controlled by a pilot light, control knob and a safety feature called a flame supervision device.

To gain access to the gas control knob, lift the control cover panel from lower edge (as shown) and slide into open position. (See Figs. 1 and 2).

The control knob is marked with positions for OFF (●), PILOT (✧) and a graduated section for minimum and maximum, gas rate (See Fig. 3).

The fire is fitted with piezo spark ignitor.

NOTE: If the main burner or pilot are extinguished for any reason, DO NOT attempt to relight the pilot for three minutes.

TO LIGHT THE PILOT

Ensure that the control knob is in the OFF (●) position.

Fully depress the control knob and turn anti-clockwise (keeping the control knob fully depressed) until the spark position (✧) is reached. If the pilot has not lit repeat the operation.

If the pilot flame will not light after repeated attempts - seek advice from your installer/servicing company.

Once the pilot is lit continue to hold in the control knob for a further 10-15 seconds to establish the pilot. When the control is released the pilot should remain alight. If the pilot fails to remain alight repeat the operation.

Once pilot is established, turn gas control to desired setting.

TO TURN THE FIRE OFF

Turn the gas control knob to the minimum gas rate position (⌚) (See Fig. 3), slightly depress the knob and continue turning to the pilot position (✧) (Fig. 4). The fire will go out and the pilot will remain lit and may be left on permanently.

TO TURN THE FIRE AND PILOT OFF

Turn the fire off as described. Depress the control knob, turn to the off position (●) (Fig. 3) and the pilot will go out.

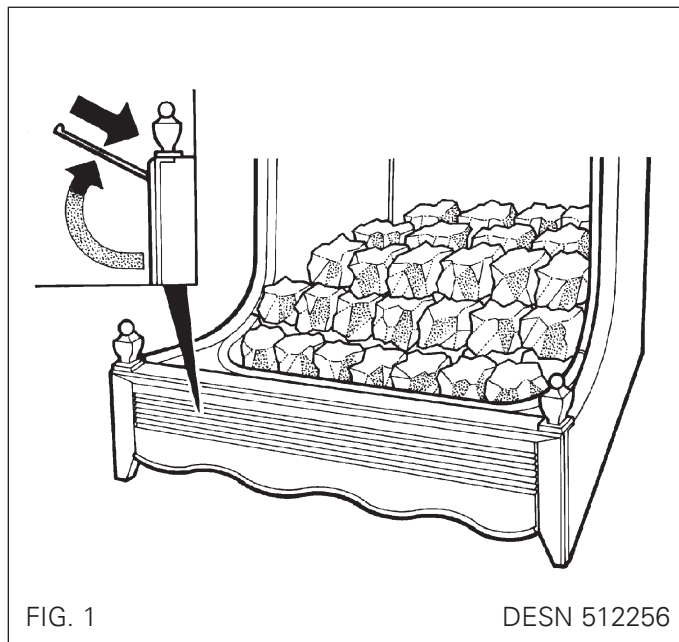


FIG. 1

DESN 512256

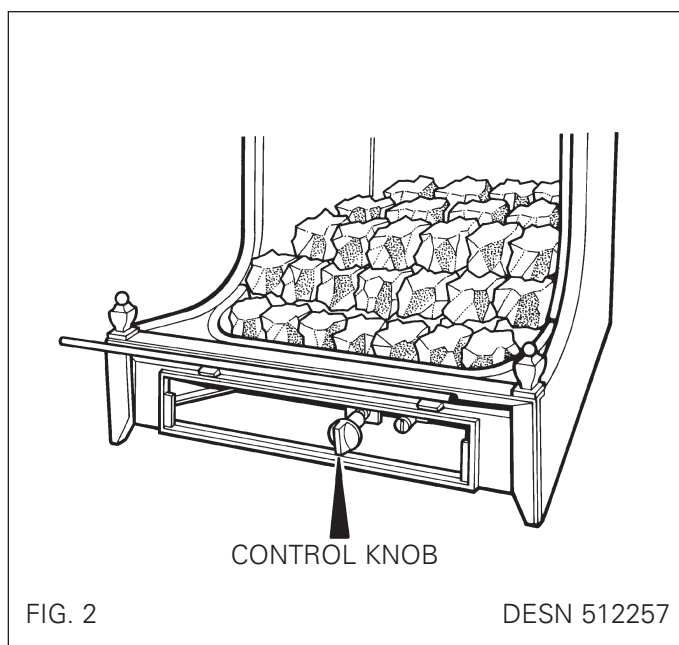


FIG. 2

DESN 512257

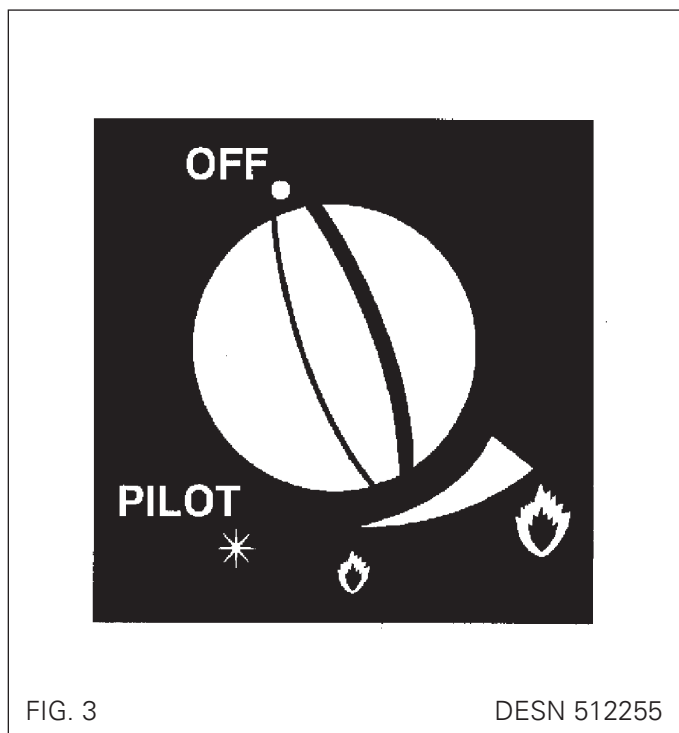


FIG. 3

DESN 512255

CONTROL POSITIONS

With the pilot burner lit, push in the control valve knob and fully turn anti-clockwise to the **HIGH** position.

On lighting the main burner, it should remain on its **HIGH** setting for 10 minutes before turning to the **LOW** position.

Turn control valve knob clockwise to the **LOW** position. The flames will reduce, but remain alight.

Depress the knob slightly and turn clockwise to the **PILOT** position. The main burner will extinguish but the pilot will remain alight.

Depress knob slightly and turn clockwise to the **OFF** position. The pilot will now extinguish.

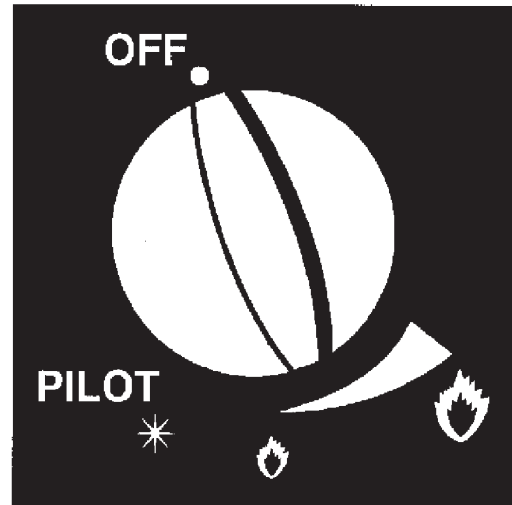


FIG. 4

DESN 512255

CLEANING

Cleaning should be carried out when the appliance is turned **OFF** and is cold.

The exterior of the fire can be cleaned with a vacuum cleaner or dusted with a soft brush, either dry or moistened by drawing a bristle over a damp cloth.

A cloth is not recommended as it can leave fibres behind.

The flame effect of the fire may deposit some soot in the coals, or back of the appliance. This is quite normal and need not be cleaned off but if desired can be removed by careful use of a soft brush.

WARNING: DO NOT USE A VACUUM CLEANER.

REMOVING AND REPLACING COALS

Ensure that the fire and pilot are turned OFF and that the fire is cold.

In time due to expansion and contraction the coals may settle. The settlement of the coals may cause minor abrasions and expose some white spots. These white spots usually add realism to the stove when in operation.

UNDER NO CIRCUMSTANCES TRY TO RE-COLOUR THE COALS WITH PAINT.

If the settlement of the coals has produced an unsatisfactory flame pattern, or if the coals need to be replaced, remove the existing coals and replace as in section 'Laying the Fuel Bed'.

The coals must be placed as shown in the diagrams in this instruction manual - follow the step by step diagrams. **DO NOT** replace the coals in any other way.

WARNING: USE ONLY THE SIMULATED COALS SUPPLIED WITH THE APPLIANCE TO BUILD THE BED. UNDER NO CIRCUMSTANCES USE EXTRA COALS OR PUT ANY OTHER MATERIALS ON THE FUEL BED.

MAINTENANCE

If you require any of the user replacement items or if you have any difficulty with the fire, consult your original supplier quoting the stove's name - Rembrandt 18" G/L Gas Fire - Serial Number (found on Data Plate, which is located behind the front controls door)

Serial No:

The appliance should be serviced annually by a competent person (e.g. CORGI Registered Installer).

Permanent ventilation must be provided in the room where the appliance is sited. It must be checked regularly to ensure that it is free from obstruction.

REPLACEMENT ITEMS

These are available from your supplier, and such items which can be changed are:

ITEMS	MAKER'S PART NUMBER
Control Knob	HG4M998699
Large Coal Pack	HG4M998677
Small Coal Pack	HG4M998676

Installation and Servicing Section

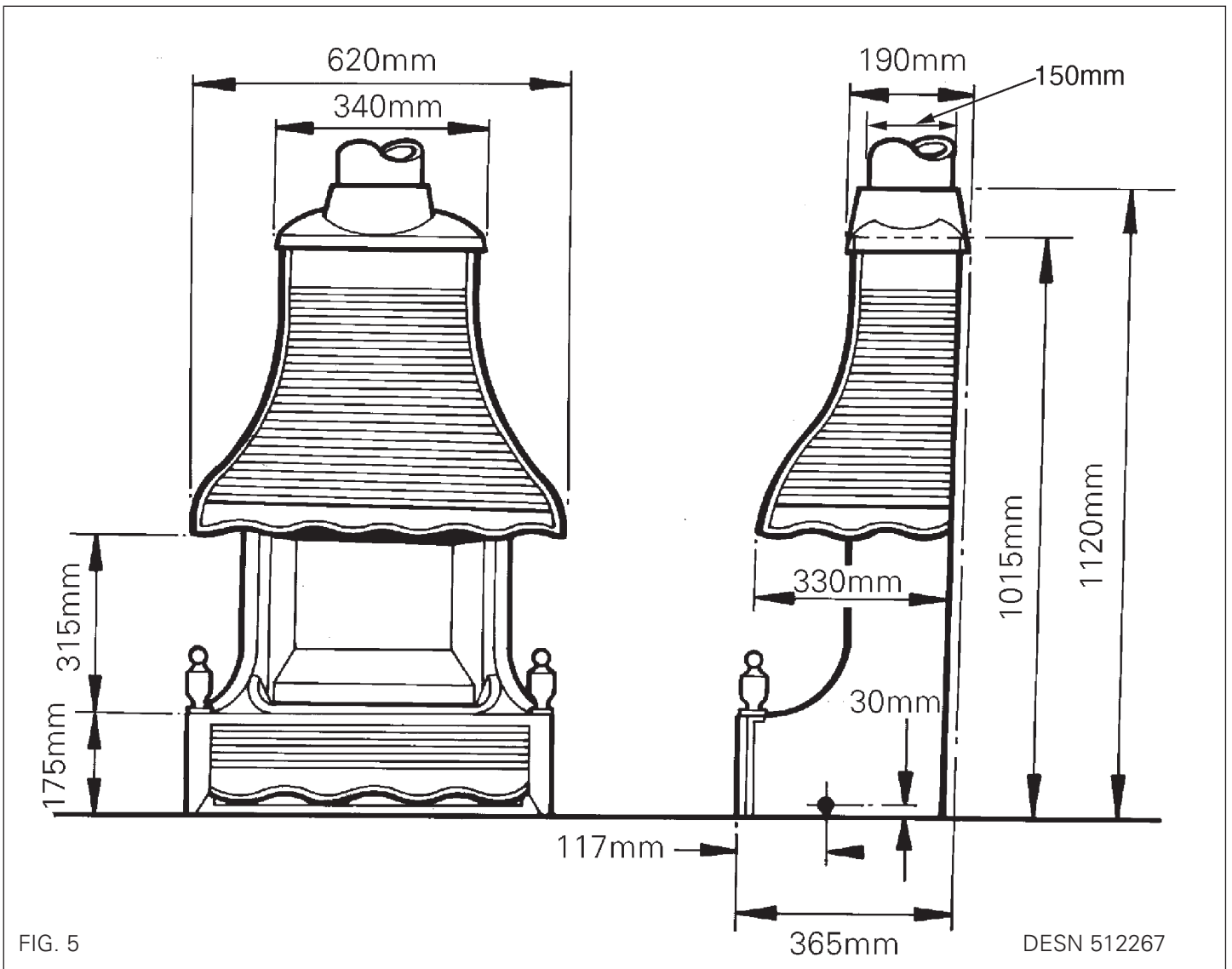


FIG. 5

DESN 512267

TECHNICAL DATA

	N.G.	L.P.G.
TYPE	A	B
CATEGORY	1 _{2H}	1 _{3P}
GAS DATA	G20	G31
HEAT INPUT (GROSS kW)	11	10.5
FLOW RATE (M ³ /hr)	1.05	0.395
SUPPLY PRESSURE (mbar)	20	37
WORKING PRESSURE (mbar)	20	37
BURNER TEST PRESSURE (mbar) HIGH	12.9	33
INJECTOR (BRAY TYPE)	16/900	16/300
VALVE (MULTI-FUNCTIONAL)	V3-99A	V3-99A
PILOT (OXY-DEPLETION DEVICE)	P4-12D	P4-17
WEIGHT(Kg) WITHOUT PACKAGING	89	89
DATA LABEL AFFIXED TO BURNER TRAY		

THE LOCATION

The appliance must be installed on a base of incombustible material, at least 12mm thick, and to the dimensions shown in Fig. 6.

The fire must be installed within a hearth capable of withstanding a maximum temperature of 150°C. Conglomerate marble, marble and tiled surrounds can meet this requirement.

The rear wall (behind the appliance) must be of incombustible material.

INSTALLATION INSTRUCTIONS

The installation of the appliance must be in accordance with the relevant requirements of the Gas Safety (Installation and Use) Regulations 1998 (as amended), Building Regulations and the Building Standards (Scotland) (Consolidation) Regulations. It should be in accordance also with any relevant requirements of the local Gas Region and Local Authority, and the relevant recommendations of the following current British Codes of Practice & Standards:

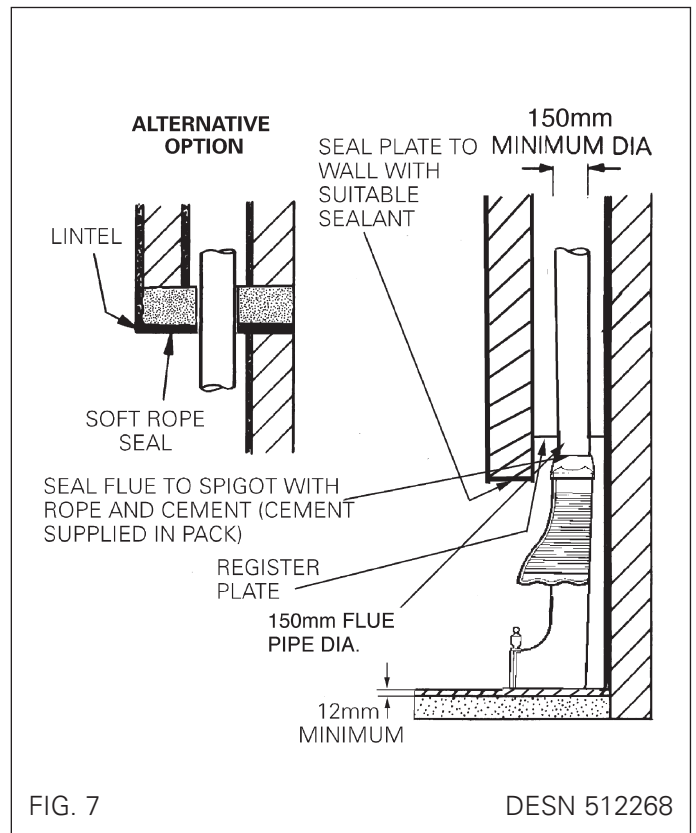
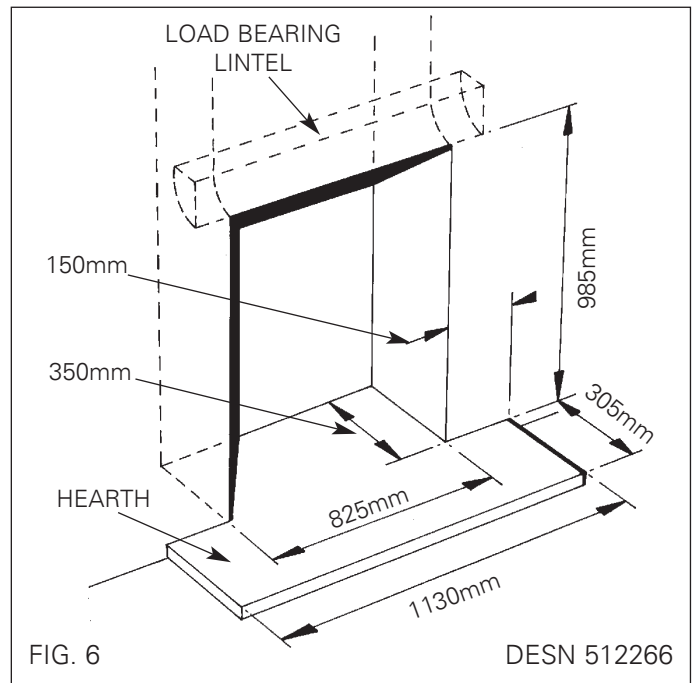
BS.6891: Installation of pipes and meters. Low pressure installation pipes.

BS.5440: Part 1 Flues & Part 2 Air Supply

BS.6461: Codes of Practice for factory-made insulated chimneys for internal application.

BS.8303: Solid fuel appliance flue system.

In your own interests and that of safety to comply with the law all gas appliances should be installed by competent persons, (Corgi Registered) in accordance with the above regulations and with these instructions. Failure to install the appliance correctly could lead to prosecution.



THE FLUE - See fig 7

The appliance may be used/connected to a solid fuel appliance flue system having a diameter not less than 150mm.

Alternately, detailed recommendations for gas fluing are given in current issue BS.5440: Part 1.

The following notes are intended to give general guidance:

The cross sectional area of the flue serving the fire must not be less than the area of the flue outlet of the fire and be of at least 3m effective height from the floor level. If the flue pipe is to be used, it must not be less than 150mm internal diameter.

WARNING: The Coalbrookdale Rembrandt 18G/L Gas Fire must not share a flue with any other appliance.

Flue Pipes

Flue pipes and fittings should be constructed from one of the following materials:

- a) Cement to BS.567
- b) Aluminium or stainless steel to BS.715.
- c) Cast iron or mild steel to BS.41 acid resistant vitreous enamelled lined.

If a chimney is to be used, it **MUST** be one that is composed of or lined with a non-porous acid resistant material. (Chimneys lined with salt glazed earthenware pipes are acceptable, if the pipes comply with the current issue of BS.65).

Shielding of Flue Pipes

Flue pipes should:

- (a) be at least 25mm from any combustible material, or
- (b) where passing through a wall, floor or roof, be separate from any combustible material by a non-combustible sleeve enclosing an air space or at least 25mm around the flue pipe, or
- (c) where passing through a compartment wall or a compartment floor, be cased with a non-combustible material with at least half the fire resistance needed for the wall or floor (see Approved Document B3 Internal fire spread (structure)).

For a double-walled flue pipe, the 25mm distance may be measured from the outside of the inner pipe.

Factory-Made Insulated Chimneys

Factory-made insulated chimneys should be:

- (a) constructed and tested to meet the relevant recommendations given in BS.4543 Factory-made insulated chimneys, Part 1: Methods of test for factory-made insulating chimneys and Part 2: Specification for chimneys for solid fuel fired appliances.

- (b) installed in accordance with the manufacturers' instructions or to meet the relevant recommendations of BS. 6461: Installation of chimneys and flues for domestic appliances burning solid fuel (including wood and peat) and BS. 7566 Parts 1 to 4 Installation of factory-made chimneys to BS.4543 for domestic appliances.

A flue pipe constructed to one of the standards in (a) to (c) above, should form the connection from the stove to lined chimneys.

If a brick chimney is to be used it **MUST** be swept prior to installation.

Before installing the appliance, or inserting a liner, check that the flue is sound, free from obstruction and clean. If a register plate, restrictive plate or damper etc is fitted in the flue it **MUST** be removed or locked fully open.

Using a smoke bomb, carry out a flue flow test to check the effectiveness of the flue and ensure that there is no leakage into another part of the premises (including any loft) or, as appropriate, other adjoining premises.

NOTE: Although a smoke pellet will produce a large amount of smoke, the volume is small compared with the volume of the combustion products from an appliance. Clearance of the smoke from a pellet is, therefore, no guarantee that the products of combustion from the appliance will clear. This must be tested after the installation is completed by carrying out a spillage test.

WARNING: Smoke coming out of other than the correct terminal, or a down-draught or no flow condition, indicates an unsatisfactory flue. The flue may need attention, seek expert advice.

The flue should terminate in accordance with the relevant recommendations given in BS.5440: part 1.

The point of termination must not be within 600mm of an openable window, air vent or any other ventilation opening.

Check that the chimney serves only one appliance, and that the flue and associated connection joints are properly sealed.

AIR SUPPLY

The room in which the fire is to be fitted must have a permanent air vent with a minimum effective area of 100cm² and be accessible to the outside air. The air vent should be checked on a regular basis to ensure that there is no obstruction.

NOTE: The size and type of ventilation should be taken into account any other gas appliance that may be fitted into the room or space.

EFFECT OF EXTRACTION FAN

If there is any type of extractor fan fitted in the same room as the stove, there is a possibility that if adequate air inlet area from outside is not provided, spillage of the products from the appliance flue could occur when the extractor fan is in operation. Where such installations occur, a spillage test as detailed in BS.5440: Part 1 must be carried out.

APPLIANCE ASSEMBLY

Unpacking

Remove all parts from inside the pack and ensure that no damage has occurred during delivery transit. If so, please contact your local stockist.

Items in Pack:

- Rembrandt Fire (Cast)
- Owners Manual - Installation, Servicing and Users
- Flue Cap
- Rope Seal (Large)
- Rope Seal (Small)
- Allthread M6 x 65 Lg (2-off)
- Washer M6 x 20 Dia (2-off)
- Nut M6 (2-off)
- Flue Sealing Cement
- Finial Pack
- Gas Burner Carton Containing the following items:
 - 1 Burner and Control Unit
 - 1 Nut and Olive for 8mm copper pipe
 - 1 x 1.5m Copper Pipe
 - 1 pack 17 small coals
 - 1 pack 20 small coals
 - 1 pack 6 large coals
 - 1 restrictor/pressure test elbow

FITTING THE FLUE CAP - SEE FIG. 8A

Unpack the flue cap and fit 2-off M6 threaded studs.

Place flue cap on top of the fire canopy (making sure rope seals stays in place), locating the studs into the hole in each fixing bracket.

Working either through the flue hole or from underneath the canopy, fit M6 nut and washer to each stud and tighten firmly clamping top cap and rope seal to the top of the canopy. (See Fig. 8B)

ASSEMBLY OF FINIALS

Push the fixing stud through the finial so that the threaded end appears at the top. Screw the ball to the top of the finial. (See Fig. 9)

Repeat for second finial, finally, assemble complete finials to the studs on the door assembly.

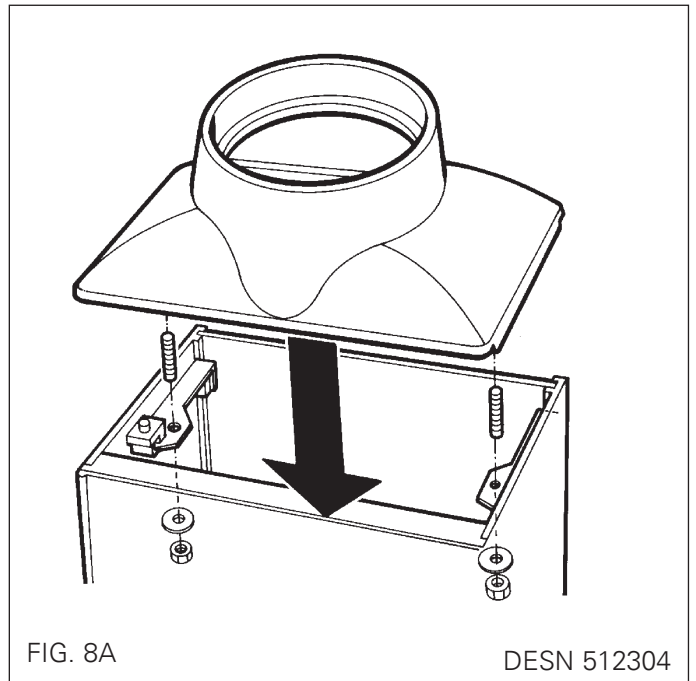


FIG. 8A

DESN 512304

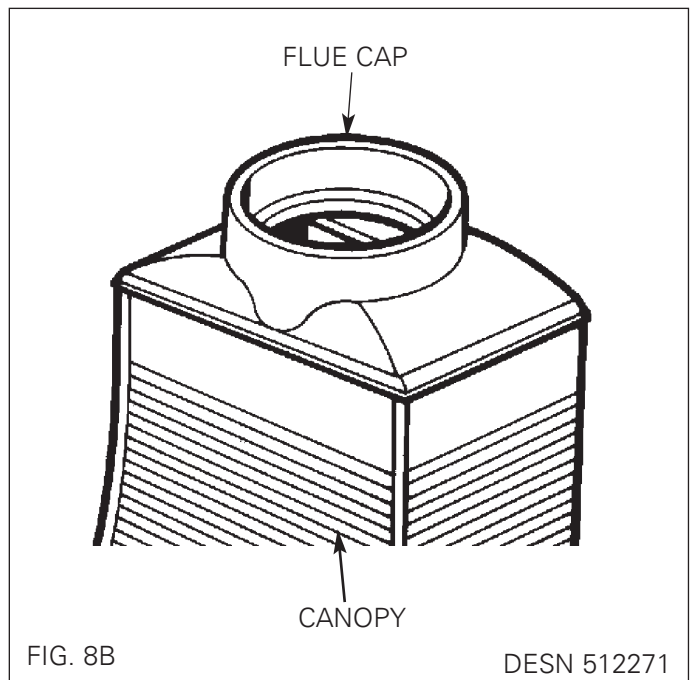


FIG. 8B

DESN 512271

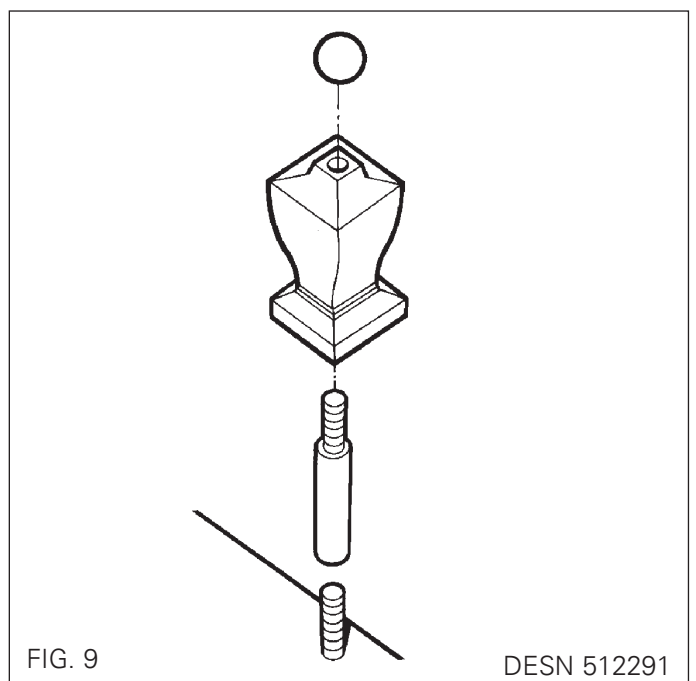
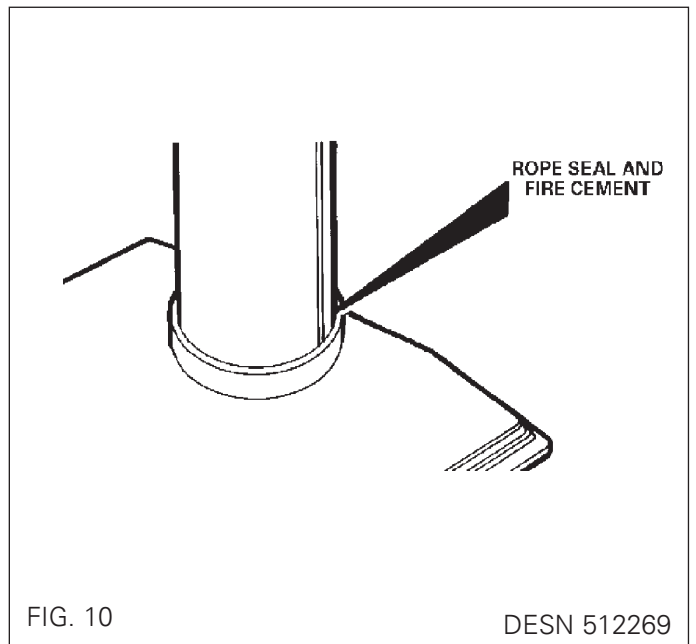


FIG. 9

DESN 512291

FLUE CONNECTION

Connect the flue to the fire making sure that the connection is airtight, using rope seal and cement. (See Fig. 10)



INSTALLING THE APPLIANCE

Before commencing installation check that the local distribution conditions (identification of type of gas and pressure) and the adjustment of the appliance are compatible. Installation may be made easier with the removal of the front door. (See Fig. 11).

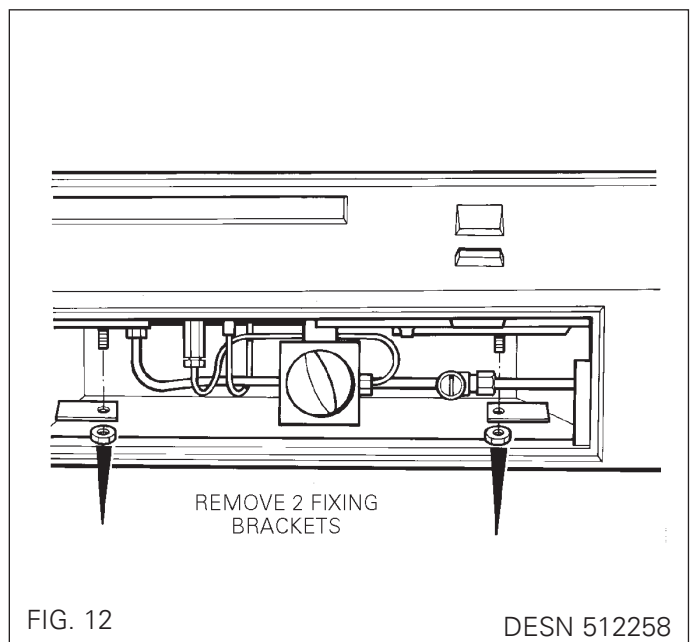
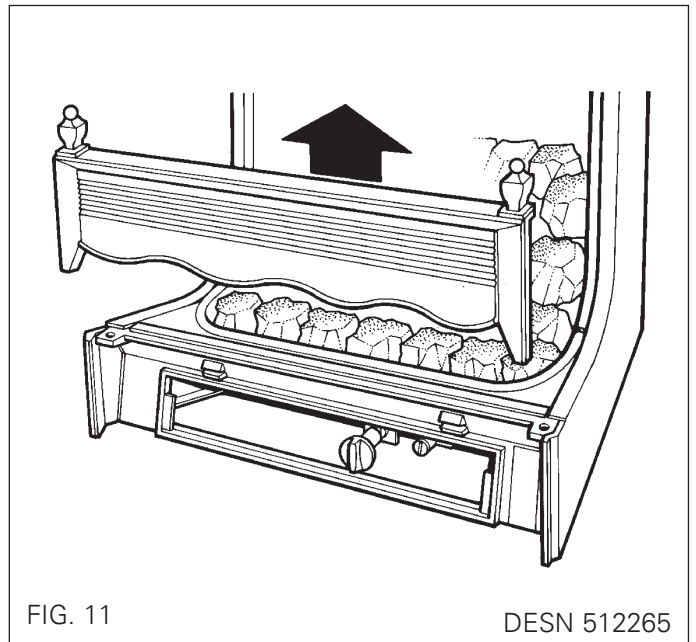
It is recommended that the cast fire is fitted into position and the flue connection made and checked before the firebed is installed.

Position the appliance in accordance with the instructions given in the section 'LOCATION' and connect the flue pipe in accordance with the section 'THE FLUE'.

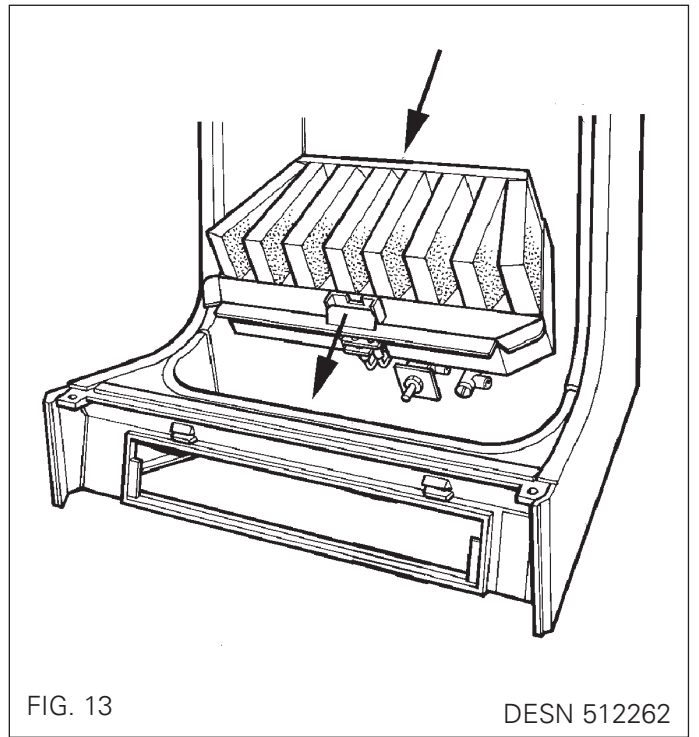
FLEXIBLE PIPE/CONNECTIONS MUST NOT BE USED.

Prior to the installation of the Rembrandt 18G/L Gas Burner into the fire decide which side the gas supply is to enter the appliance and remove the push in button. This is to allow for the positioning of the 8mm copper gas supply pipe before connection is made between the appliance and the isolating tap. Remove 2 fixing brackets. (See Fig. 12) from the underside of the firebed - this will make fitting easier.

Fit the restrictor/pressure test elbow to the gas inlet pipe on the fired bed positioning to the left or right depending on chosen gas route.



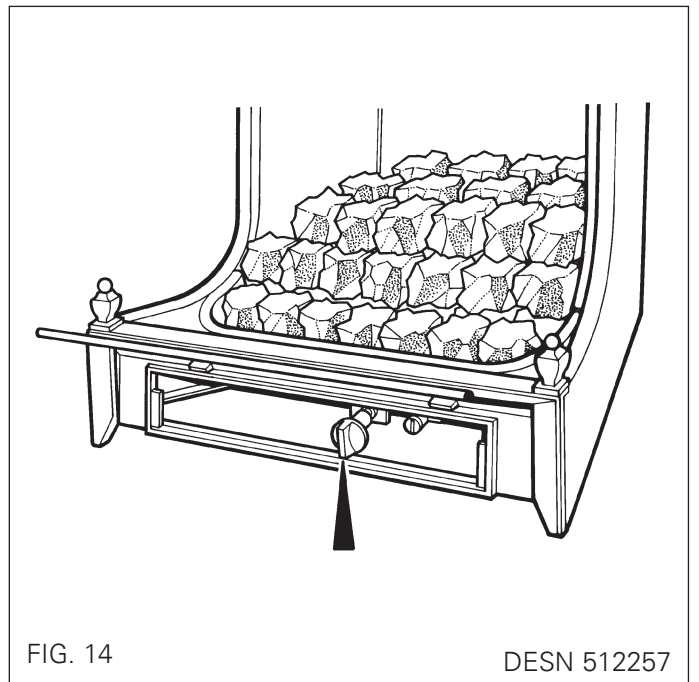
Carefully lower the burner into the well of the fire, tilting forward to enable tap spindle to go underneath the support tray. See Fig. 13.



Ensure the burner is central in the well of the fire and that the back of the burner tray touches the rear wall of the fire. The controls should be located just behind the ashpan cover opening. See Fig. 14.

Secure the burner tray to the fire with the 2 brackets previously removed. This will prevent the gas burner from tilting forwards when operating the control valve.

Connect the 8mm copper pipe to the pressure test/restrictor valve, then make off the other end to the gas isolating tap adjacent to the appliance. (So that when the tap is closed the appliance is totally isolated).



GAS CONNECTION

It is a requirement that a means of shutting off the gas supply to the appliance is provided, so that there is a means of isolating/disconnecting the appliance in case of emergency.

NOTE: Check that an adequate size of gas supply isolating tap is fitted and working.

The complete installation must be tested for soundness and purged as described in BS. 6891.

The gas inlet to the fire is 8mm dia compression, and providing the distance from the gas isolation valve to the fire does not exceed 1m, 8mm dia rigid or semi-rigid supply pipe may be used.

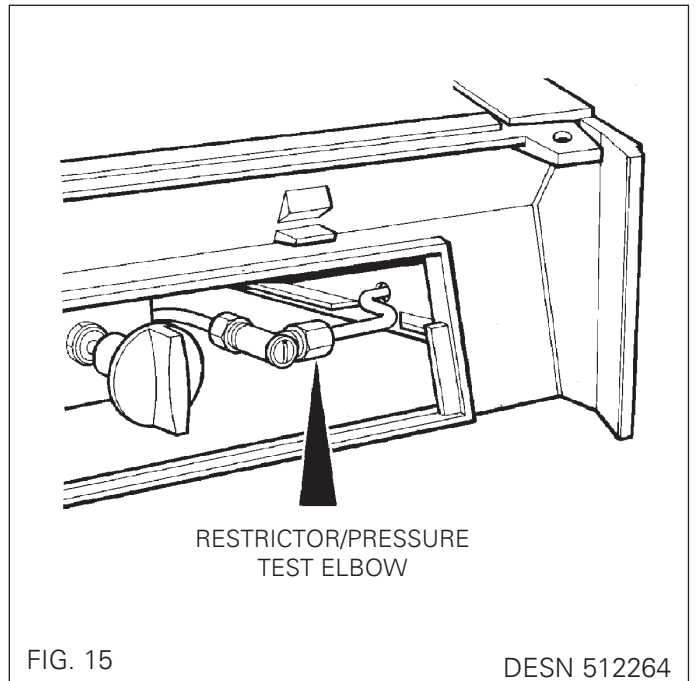
Above this length, 15mm dia rigid or semi-rigid pipe should be used.

A restrictor/pressure elbow is provided in the pack, and can be fitted as shown in Fig. 15, to allow left hand or right hand (as shown) inlet connection, or through the hearth for concealed connections.

A gas isolation valve **must** be fitted adjacent to this appliance.

WARNING: Soft soldered joints must not be used as a means of connection beneath the burner tray.

Test for gas soundness.



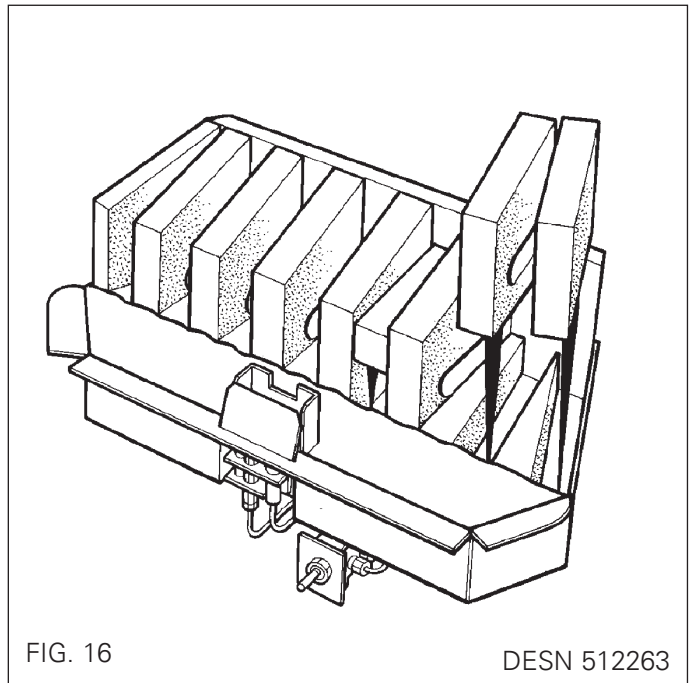
LAYING THE FUEL BED

Ensure that the ceramic fingers and front ceramic mat are positioned correctly. See Fig. 16.

Carefully place the coals on the coal bed as illustrated in Figs. 17 to 23.

WARNING: USE ONLY THE SIMULATED COALS SUPPLIED WITH THIS APPLIANCE TO BUILD THE BED. UNDER NO CIRCUMSTANCES USE EXTRA COALS OR PUT ANY OTHER MATERIAL ON THE FUEL BED.

Hands should be washed after handling coals. (If gloves are not used).



LAYING THE FUEL BED

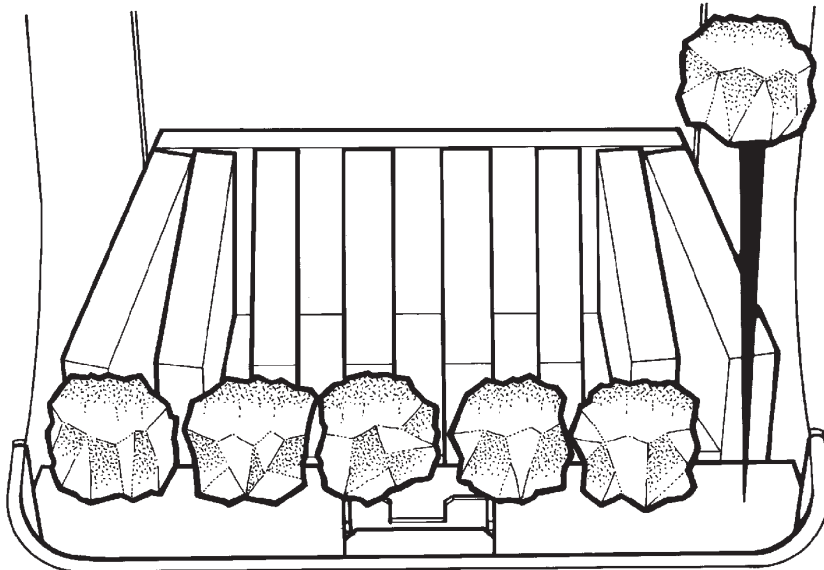


FIG. 17

PLACE 6 LARGE COALS ALONG THE FRONT CERAMIC MAT.

DESN 512248

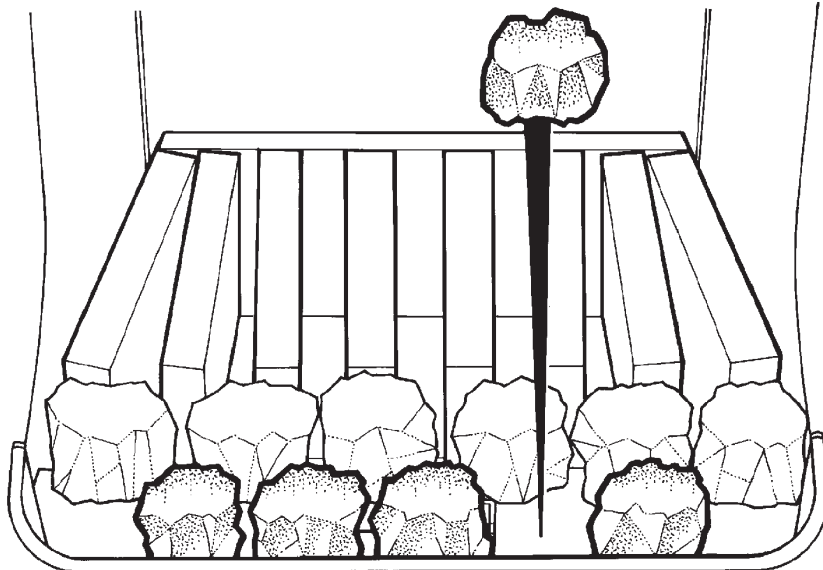


FIG. 18A

PLACE 5 SMALL COALS IN FRONT OF LARGE COALS.

DESN 512249

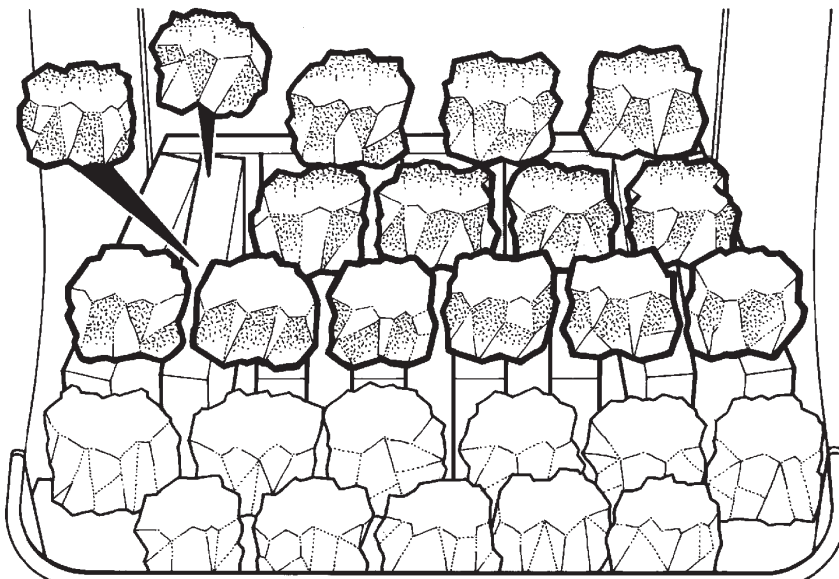


FIG. 19

PLACE 15 SMALL COALS - 1 ROW OF 6, 1 ROW OF 5 AND 1 ROWS OF 4

DESN 512250

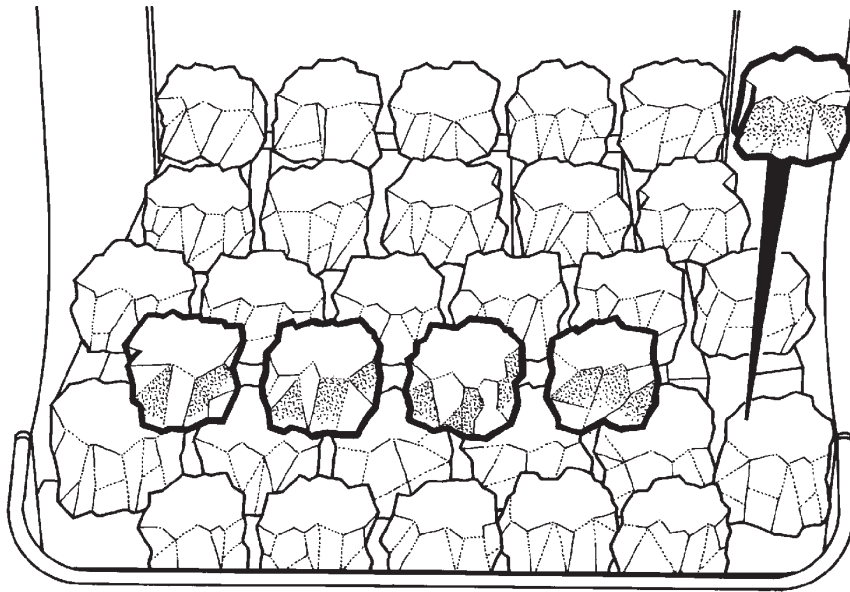


FIG. 20

PLACE 5 SMALL COALS ON TOP OF 6 LARGE COALS

DESN 512251

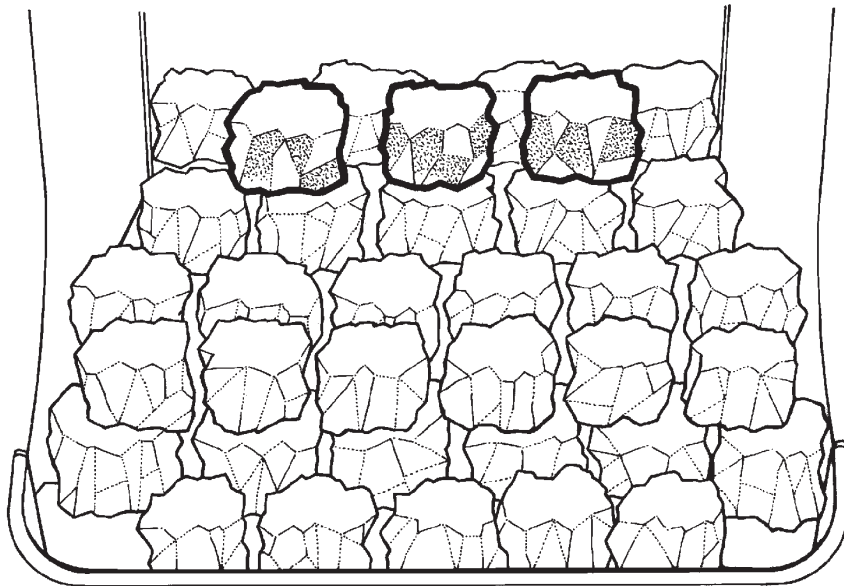


FIG. 21

PLACE 3 SMALL COALS (AS SHOWN)

DESN 512252

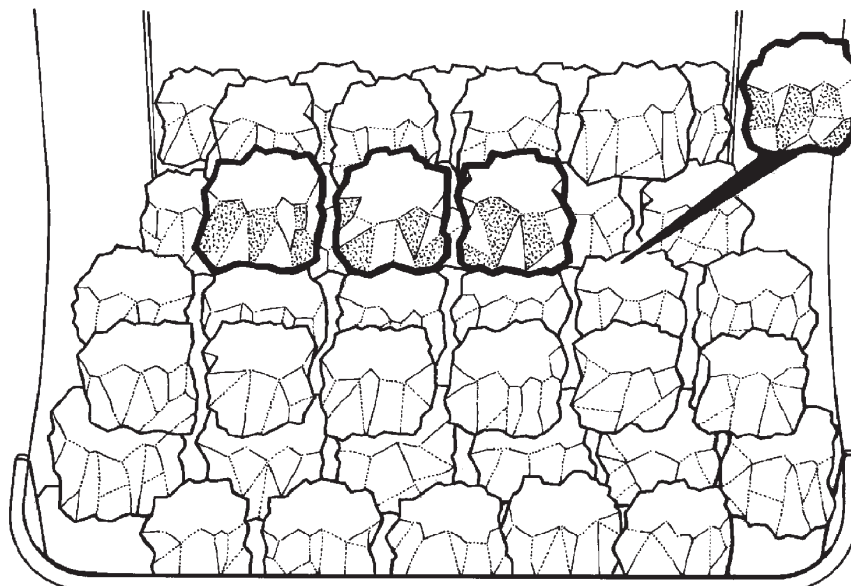


FIG. 22

PLACE 4 SMALL COALS (AS SHOWN)

DESN 512253

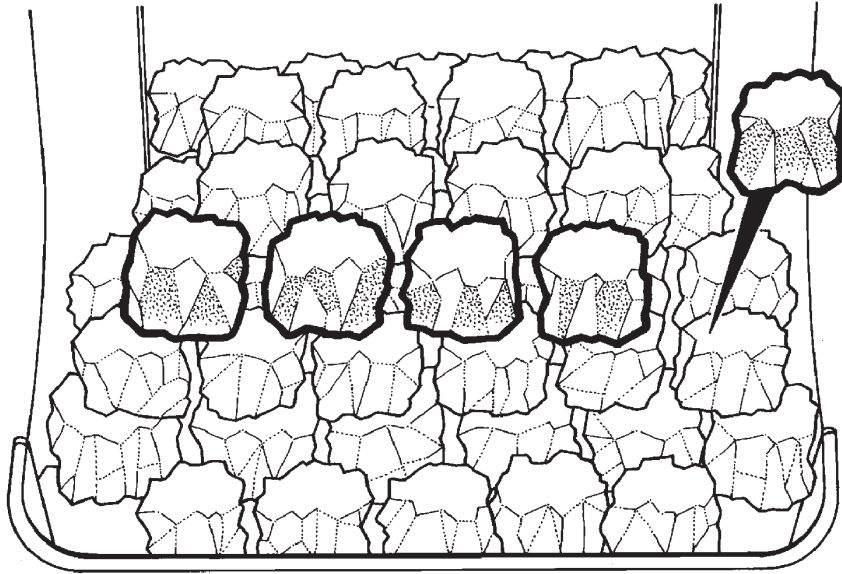


FIG. 23

PLACE 5 SMALL COALS (AS SHOWN)

DESN 512254

COMMISSIONING

NO SMOKING OR NAKED LIGHTS

The whole installation must be inspected and tested for soundness, and purged up to the gas service cock in accordance with BS.6891.

The appliance has been pre-set to achieve the heat input for the inlet/working pressures specified on the Data Label and the Technical Data information. No further adjustment should be necessary. However, the burner test pressure can be checked by fitting a pressure gauge to the test point accessible to the left of the control valve. The pressure must be checked with the appliance alight and the control valve set on **HIGH**. After checking pressure, turn off the appliance, remove the pressure gauge, replace test point seal screw and check for gas soundness. If the burner test pressure is incorrect check the working pressure and flow rate. (See Fig. 25).

The control tap is marked with the following positions:-

OFF	●
PILOT ONLY	✱
MINIMUM	🔥
MAXIMUM	🔥

Turn on the gas supply and light the appliance.

TO LIGHT THE PILOT

Ensure that the control knob is in the **OFF** (●) position.

Fully depress the control knob and turn anti-clockwise (keeping the control knob fully depressed) until the spark position (✱) is reached. If the pilot has not lit repeat the operation.

If pilot will not light after repeated attempts - seek advice from your installer/servicing company.

Once the pilot is lit continue to hold in the control knob for a further 10 - 15 seconds to establish the pilot. When the control knob is released the pilot should remain alight. If the pilot fails to remain alight repeat the operation.

CONTROL POSITIONS

With the pilot burner lit, push in the control valve knob and fully turn anti-clockwise to the **HIGH** position. The main burner will ignite.

At this setting, check burner pressures - see Technical Data.

On lighting the main burner, it should remain on its **HIGH** setting for 10 minutes before turning to the **LOW** position.

Turn control valve knob clockwise to the **LOW** position. The flames will reduce, but will remain alight.

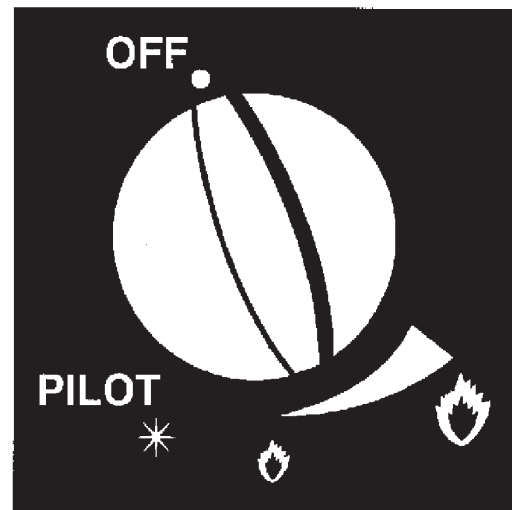


FIG. 24

DESN 512255

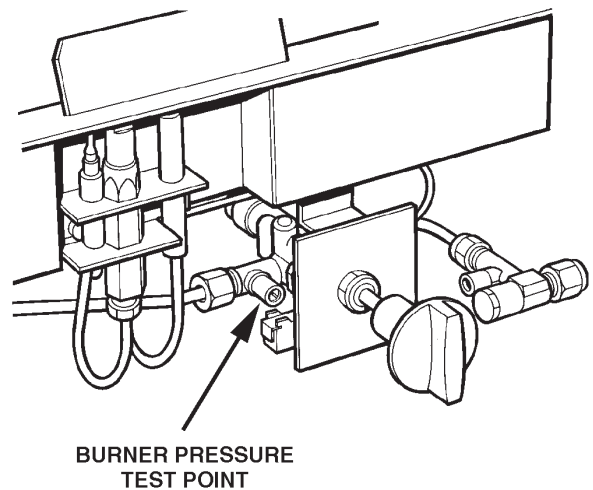


FIG. 25

DESN 512292

Depress the knob slightly and turn clockwise to the **PILOT** position. The main burner will extinguish but the pilot will remain alight.

Depress knob slightly and turn clockwise to the **OFF** position. The pilot will now extinguish.

CHECK FOR CLEARANCE OF PRODUCTS OF COMBUSTION

IMPORTANT: A spillage check **MUST** be made before the installed appliance is handed over to the customer.

Ensure that all doors and windows of the room are closed.

Light the fire as described. leave on maximum rate for 5 minutes.

If there is a fan in an adjoining room then the spillage test must be repeated with the fan turned on and any interconnecting door between the stove and the fan location left open.

A spillage test as detailed in BS. 5440 must be carried out after 5 minutes as follows:- Light a smoke match and position flush with the stove opening, a minimum of 50mm from the side and a maximum of 50mm from the top. (See Fig. 26 & 27).

The installation is satisfactory if the smoke is drawn into the appliance and out of the room. If this does not happen then leave the fire alight for a further 10 minutes and check again.

WARNING: If smoke is still not drawn into the chimney, turn off and disconnect the appliance and seek expert advice.

WARNING: If the fire goes out under normal operation, and continues to extinguish after re-lighting, spillage has occurred and the flue should be checked.

This appliance is fitted with a pre-set oxygen depletion system incorporated into the burner ignition unit. Therefore this system must not be adjusted or put out of operation and must be replaced with a complete unit of original manufacture, in the event of renewal.

INSTRUCT THE USER

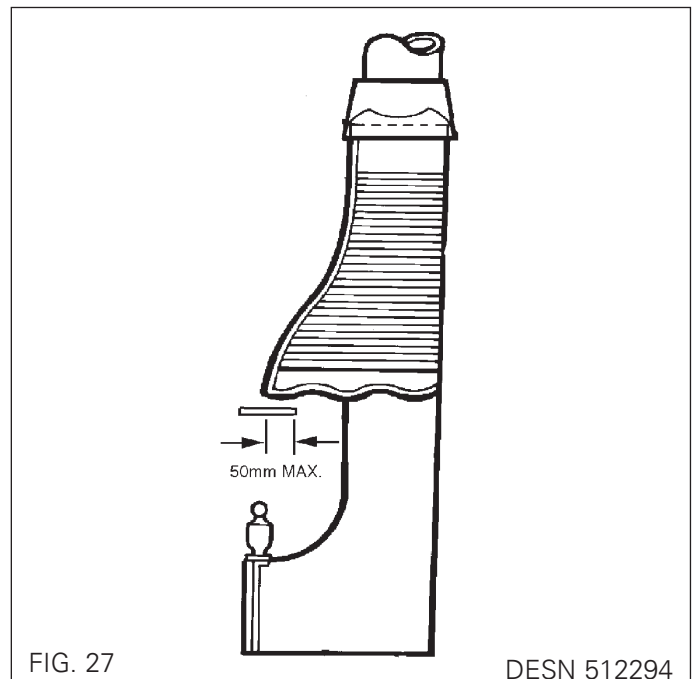
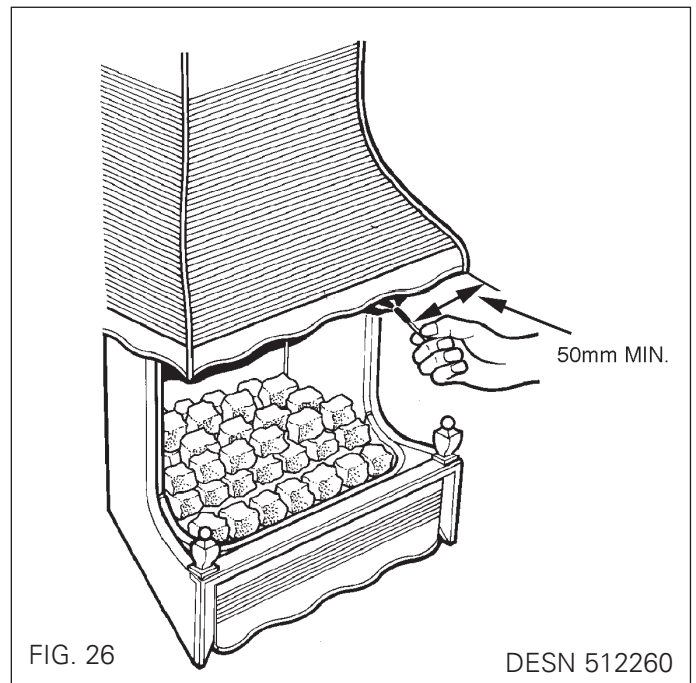
Hand over all the instructions to the user and explain how to light and operate the appliance and that rubbish should not be burnt on the fire or fuel bed disturbed.

Instruct the customer that the pilot and flame sensing device fitted to this fire also acts as an oxygen level sensing device which shuts off the appliance if the evacuation of the products of combustion is interrupted.

If the fire shuts off, restart the main burner as stated in section 'TO LIGHT THE PILOT'. If the appliance fails to relight or repeatedly cuts off, then do not use and inform a qualified person.

Impress upon the user that the coals must be located in accordance with the instructions. The appliance should be serviced annually by a competent person (e.g. a CORGI registered installer) to ensure safe operation.

Hand these instructions to the customer.



SERVICING

It is recommended that the fire is inspected/serviced annually by a competent person (e.g. A Corgi Registered Installer).

It is recommended that the flue is checked for debris.

Turn off the gas supply before commencing any servicing.

After any servicing **ALWAYS** check for gas soundness and carry out a spillage test as detailed in the section 'CHECK FOR CLEARANCE OF PRODUCTS OF COMBUSTION'.

RE-ASSEMBLE PARTS IN REVERSE ORDER.

SERVICING PROCEDURE

At yearly intervals, turn off and allow to cool down. Check all coals, pilot burner/ignition burner unit, for soot/debris deposits. These can cause imperfect flame appearance and should be removed by lightly vacuuming. Replace all misplaced coals and re-light.

NOTE: On failure of either the pilot burner/ignition unit or main control valve, repairs should be carried out by a competent person.

For LPG Appliances Only

Because of the nature of L.P. Gases, there could be excessive soot particles deposited on the refractories, therefore it is recommended that this should be checked at six monthly intervals, by turning off and allowing to cool down. Check all coals, pilot/ignition unit for soot or debris deposits. These can cause imperfect flame appearance and should be removed by lightly vacuuming. Replace all misplaced coals and re-light.

RENEWING PILOT BURNER/IGNITION UNIT - SEE FIG. 28

1. Isolate gas supply.
2. Remove all coals and store in a safe place.
3. Disconnect main 8mm gas supply pipe from restrictor valve.
4. Loosen and remove 2 clamping brackets. See Fig. 12.
5. Remove firebed from appliance by pushing up from underneath, tilt forward to clear spindle and tap from front of support tray. Lift fire bed clear of appliance.
6. Undo and remove the thermocouple nuts from the rear of the control valve.
7. Disconnect and remove piezo ignition wiring from ignition electrode.
8. Undo and remove the gas supply pipe from the bottom of pilot burner.
9. Undo and remove 2 x 4mm locating nuts or studs on pilot/ignition unit. Remove unit.

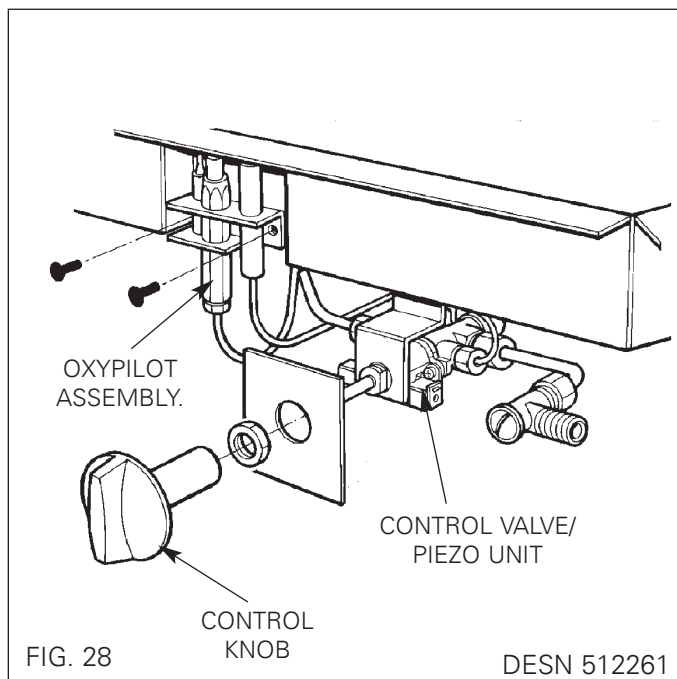


FIG. 28

DESN 512261

10. Replace with new unit and reassemble in reverse order. Ensure coals are positioned as in section 'LAYING THE FUEL BED'.

RENEWING CONTROL VALVE - SEE FIG. 28

1. Proceed as Steps 1 to 5 in section 'RENEWING PILOT BURNER/IGNITION UNIT'.
2. Undo and remove the main burner gas supply pipe.
3. Undo and remove pilot gas supply pipe located on the body of the main valve.
4. Remove control knob by pulling firmly.
5. Remove control knob cover.
6. Remove main valve unit by removing 2 x 4mm securing screws .
7. Replace with new unit and reassemble in reverse order.

**For further advice or information contact
your local distributor/stockist**

With Aga-Rayburn's policy of continuous product improvement, the Company reserves the right to change specifications and make modifications to the appliance described and illustrated at any time.



Manufactured By
Aga-Rayburn
Station Road
Ketley Telford
Shropshire TF1 5AQ
England

www.aga-rayburn.co.uk
www.agacookshop.co.uk
www.agalinks.com
www.cookcraft.com