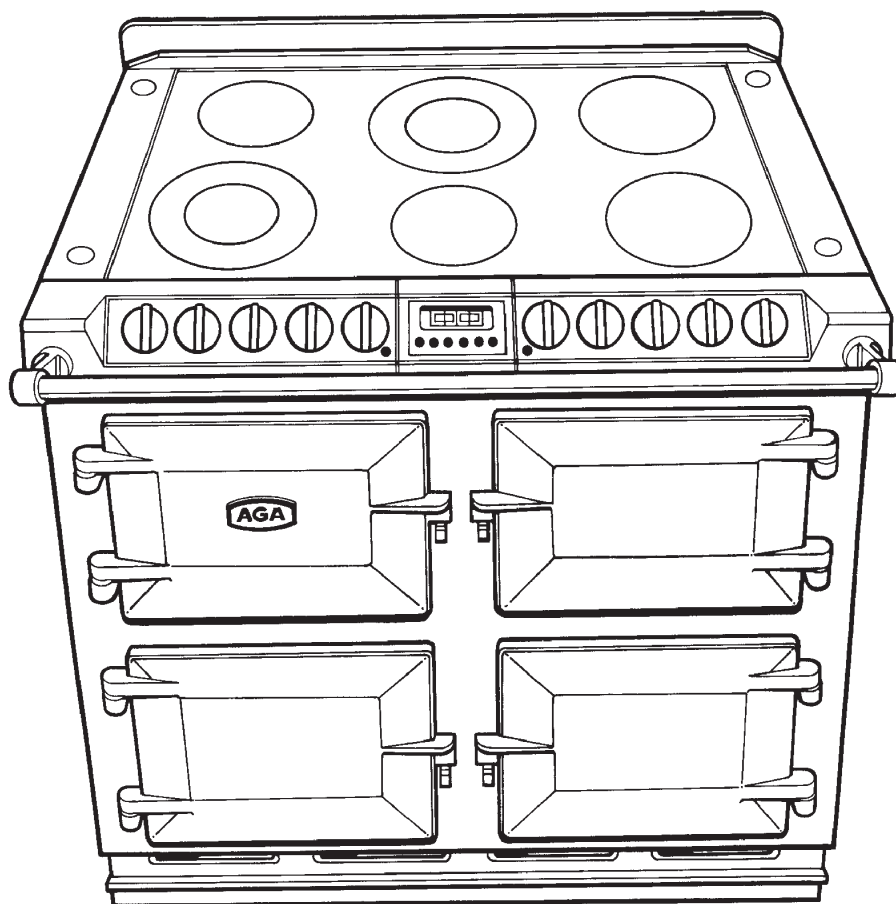




AGA SIX-FOUR SERIES - CERAMIC HOB OWNERS MANUAL



DESN 513131

Comprising Servicing, Installation & Users Instructions & Cooking Guide

Remember, when replacing a part on this appliance, use only spare parts that you can be assured conform to the safety and performance specification that we require. Do not use reconditioned or copy parts that have not been clearly authorised by Aga.

PLEASE READ THESE INSTRUCTIONS BEFORE USING THIS APPLIANCE

CE For use in GB and IE

10/07 EINS 513129

CONTENTS

SECTION	PAGE
INTRODUCTION	3
PRODUCT VIEW	4
INSTALLATION SECTION	5
INSTALLATION	6
TECHNICAL DATA	7
FITTING AND PRODUCT DIMENSIONS	8
ELECTRICAL CONNECTION	9 - 10
LEVELLING AND MOBILITY WHEELS	11
SPLASHBACK	12
USERS GUIDE	13
HEALTH AND SAFETY	14
CONTROL PANEL	15
SETTING UP THE COOKER FOR USE	16
CERAMIC HOB	17
THE GRILL	18
THE OVENS (GENERAL)	19 - 20
SIMMERING OVEN	21
SIMMERING OVEN RECIPES	22 - 25
OVEN COOKING GUIDE	26 - 29
THE MINUTE TIMER	31
AUTOMATIC COOKING CONTROL	32 - 33
CLEANING AND CARING FOR YOUR COOKER	34 - 36
SERVICING SECTION	36
SERVICING	37 - 41
WIRING DIAGRAM	42

INTRODUCTION

As responsible manufacturers we take care to make sure that our products are designed and constructed to meet the required safety standards when properly installed and used.

IMPORTANT NOTICE: PLEASE READ THE ACCOMPANYING WARRANTY.

Any alteration that is not approved by Aga could invalidate the approval of the appliance, operation of the warranty and could affect your statutory rights.

In the interests of safety and effective use, please read the following before using your new Aga appliance.

Installation must be to local and national wiring regulations and carried out by a qualified engineer.

A little smoke and some odour may be emitted when first switched on. This is normal and harmless (from oven lagging and starch binder on the element insulation) and will cease after a short period of use.

Your appliance has a ceramic hob, three electric ovens; the lower right hand oven is a slow cooking oven, the upper right hand oven is a conventional oven.

The lower left hand oven is an electric fan oven. The fan behind the rear panel ensures a virtually even distribution of heat within the oven during cooking i.e the temperature at the lowest shelf position is the same as the temperature at the highest shelf position.

The electric grill is situated in the roof of the top left hand compartment.

Refer to the diagram (See Fig. 1) to familiarise yourself with the cooker and refer to the relevant section for the simmering oven, fan oven, conventional oven and ceramic hotplate etc.

Your cooker is supplied with the following accessories:

- 5 oven shelves
- 1 large roasting tin
- 1 grill shelf
- 1 grill pan
- 1 grill grid
- 1 baking tray

The following loose parts are also packed:

- ceramic hob and frame assembly
- electric chassis and fixing screws
- 1 splashback assembly

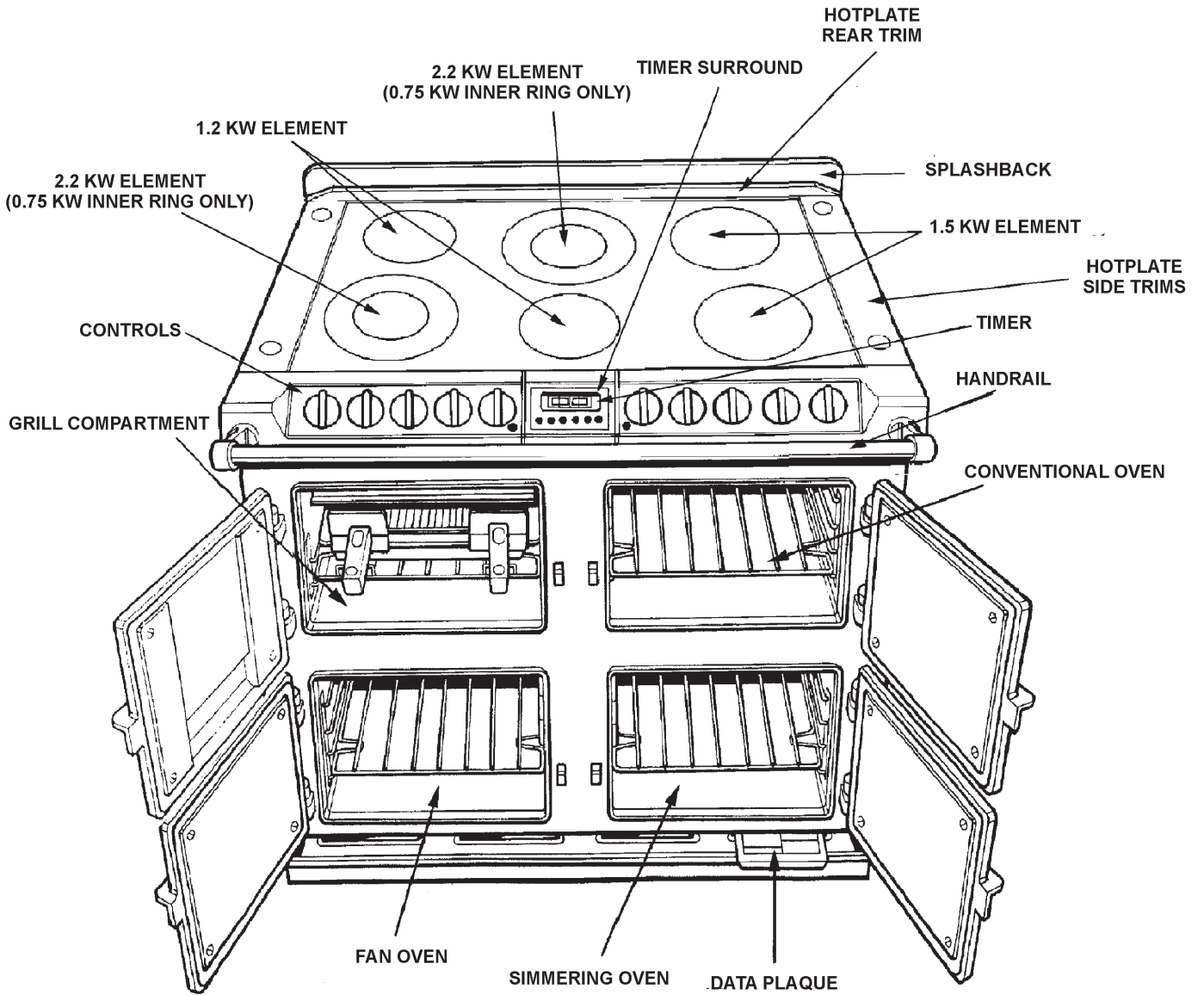


Fig. 1

DESN 513132

Installation

Section

Remember, when replacing a part on this appliance, use only spare parts that you can be assured conform to the safety and performance specification that we require. Do not use reconditioned or copy parts that have not been clearly authorised by AGA.

INSTALLATION

WARNING: THIS APPLIANCE MUST BE EARTHED

This appliance is designed for the voltage stated on the data plate, which is situated in the right hand vent slot at the base of the appliance.

The Aga Six-Four Series Ceramic Hob is supplied from the manufacturers as a fully tested chassis construction. Ceramic hob, doors, splashback and handrail are assembled during installation.

TECHNICAL DATA

HOTPLATE

FRONT LEFT - double circuit - 2.2 kW/0.75 kW - 205/120mm dia - rapid heat up

REAR LEFT - single circuit - 1.2 kW - 140mm dia - rapid heat up

FRONT CENTRE - single circuit - 1.2 kW - 140 mm dia - rapid heat up

REAR CENTRE - double circuit - 2.2 kW/0.75 kW - 205/220mm dia - rapid heat up

FRONT RIGHT - single circuit - 1.5 kW - 155mm dia - rapid heat up

REAR RIGHT - single circuit - 1.5 kW - 155mm dia - rapid heat up

ELECTRIC GRILL AND OVENS

TOP OVEN - POWER RATING - 2.0 kW

GRILL ELEMENT - POWER RATING - 2.2 kW

SLOW COOKING OVEN - POWER RATING - 0.9 kW

LOWER OVEN (FAN) - POWER RATING - 2.0 kW

POWER SUPPLY - 230V 50 Hz TOTAL LOAD 16.9 kW

TOTAL WEIGHT OF APPLIANCE - 230 kg

FITTING AND PRODUCT DIMENSIONS

Any adjacent walls that project above the height of the hob must be of heat resistant material.

Any side wall above the cooker on either side shall not be less than 60mm horizontally from the cooker. (See Fig. 2).

A minimum clearance of 1000mm must be available at the front of the cooker to enable it to be serviced.

Surfaces over the top of the cooker must not be closer than 650mm. (Cooker Hood, see below).

The vent slots in the back of the top plate must not be obstructed.

The cooker must stand on a firm and level surface and we recommend that any soft material such as linoleum is removed.

PLEASE NOTE WHEN FITTING A COOKER HOOD

If a cooker hood is to be fitted, we only recommend the Six-Four Series CH900 cooker hood. It must be installed at a height of at least 800mm above the hotplate.

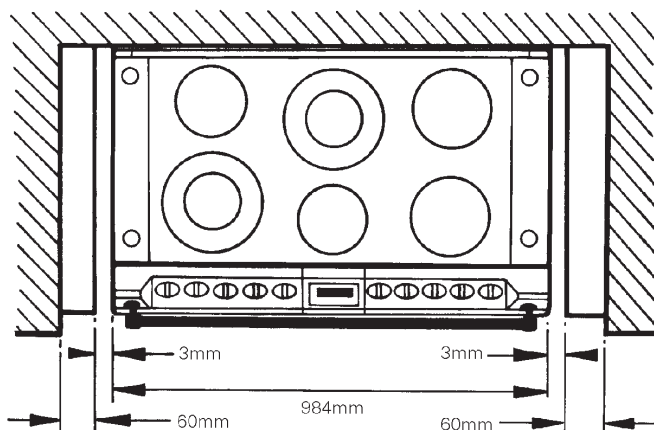
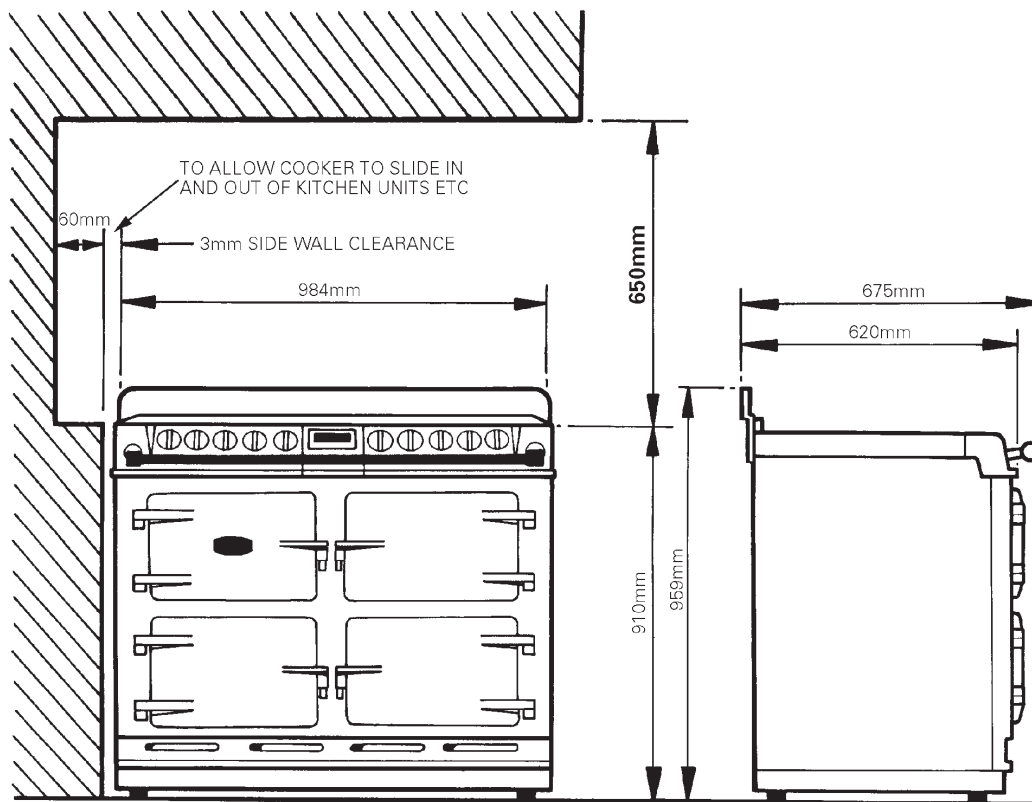


Fig. 2

DESN 513133

ELECTRICAL CONNECTION

ELECTRICAL CONNECTION IS LOCATED AT THE TOP RIGHT HAND SIDE OF THE APPLIANCE, BEHIND SIDE PANEL. DURING INSTALLATION REMOVE THE RIGHT HAND SIDE PANEL TO CONNECT ELECTRICAL SUPPLY.

Remove 3 screws securing side panel to gain access to mains terminal. See Fig. 4 for location of cover.

Remember that the mains electrical cable must be routed through the grommet at the rear right hand side of the cooker near the top, before connecting to the mains terminal connection.

REFER TO FIG. 3 for wiring connection to appliance.

Remember that an excess of cable length is required behind the cooker for the withdrawal of the cooker from between the kitchen units etc.

SINGLE PHASE CONNECTION - The cooker requires a 45 amp power supply fitted in conjunction with a double pole isolator with a minimum contact clearance of 3mm and be connected to the mains with a minimum 10mm² cable to comply with the latest editions of the local and national wiring regulations.

THE ISOLATOR **MUST NOT** BE POSITIONED IMMEDIATELY ABOVE THE COOKER, BUT **MUST** BE SITED WITHIN 2 METRES OF THE APPLIANCE.

Replace the right hand side panel once electrical connection has been made and replace fixing screws.

NOTE: Ensure that the insulation card covering the mains terminal is in place, between the side panel and mains terminal.

SINGLE PHASE CONNECTION - Minimum 10mm² cable and must comply with the latest editions of the Local and National Wiring Regulations

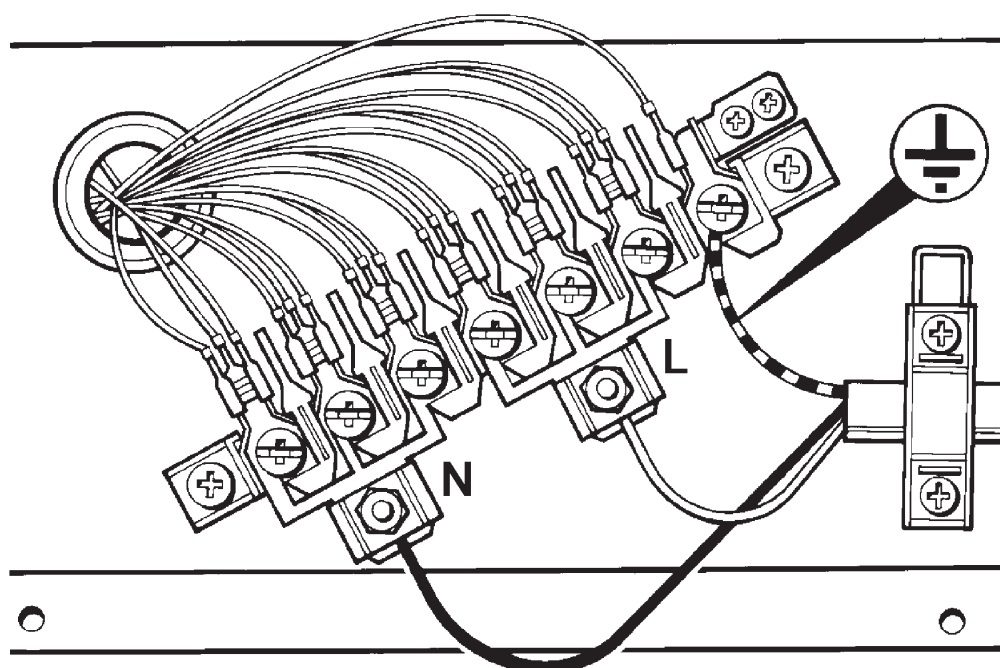


Fig. 3

DESN 513135

ELECTRICAL CONNECTION (CONTINUED)

THREE PHASE CONNECTION - Minimum 2.5mm² cable and must comply with the latest editions of the Local and National Wiring Regulations

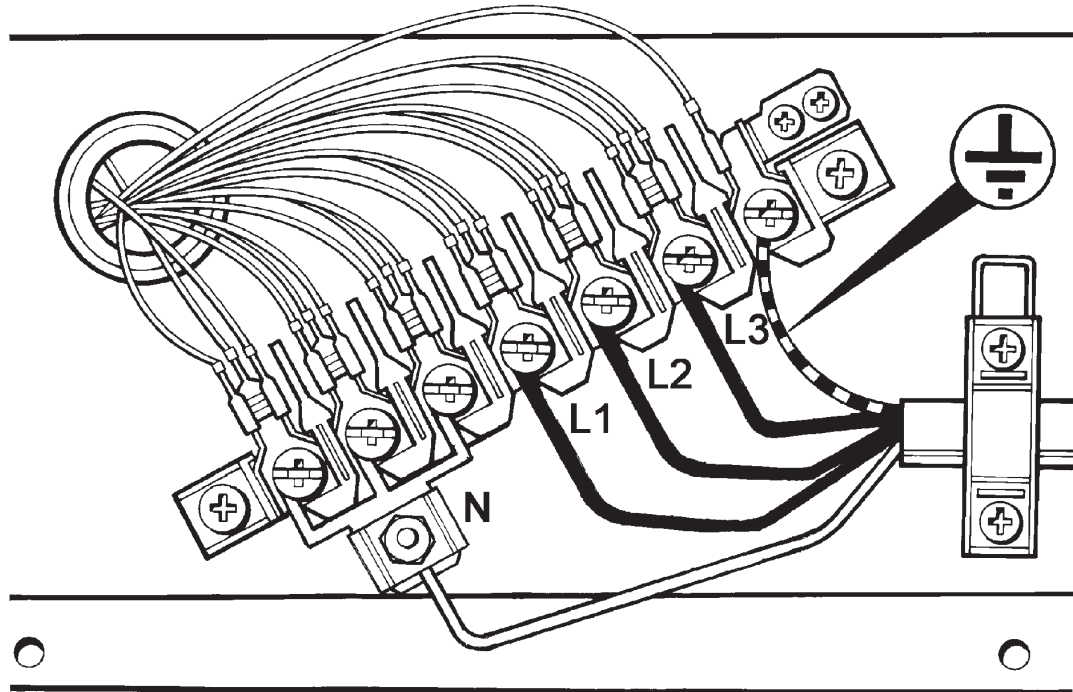


Fig. 3A

L1 - 5.0 kW
L2 - 4.65 kW
L3 - 7.3 kW

DESN 513134

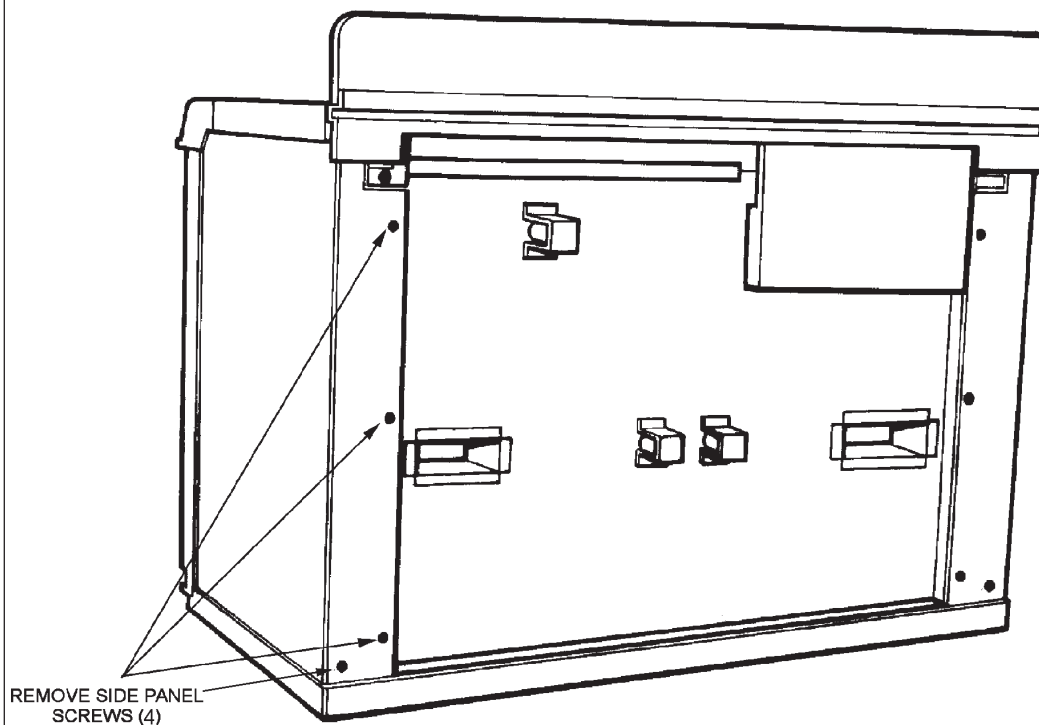


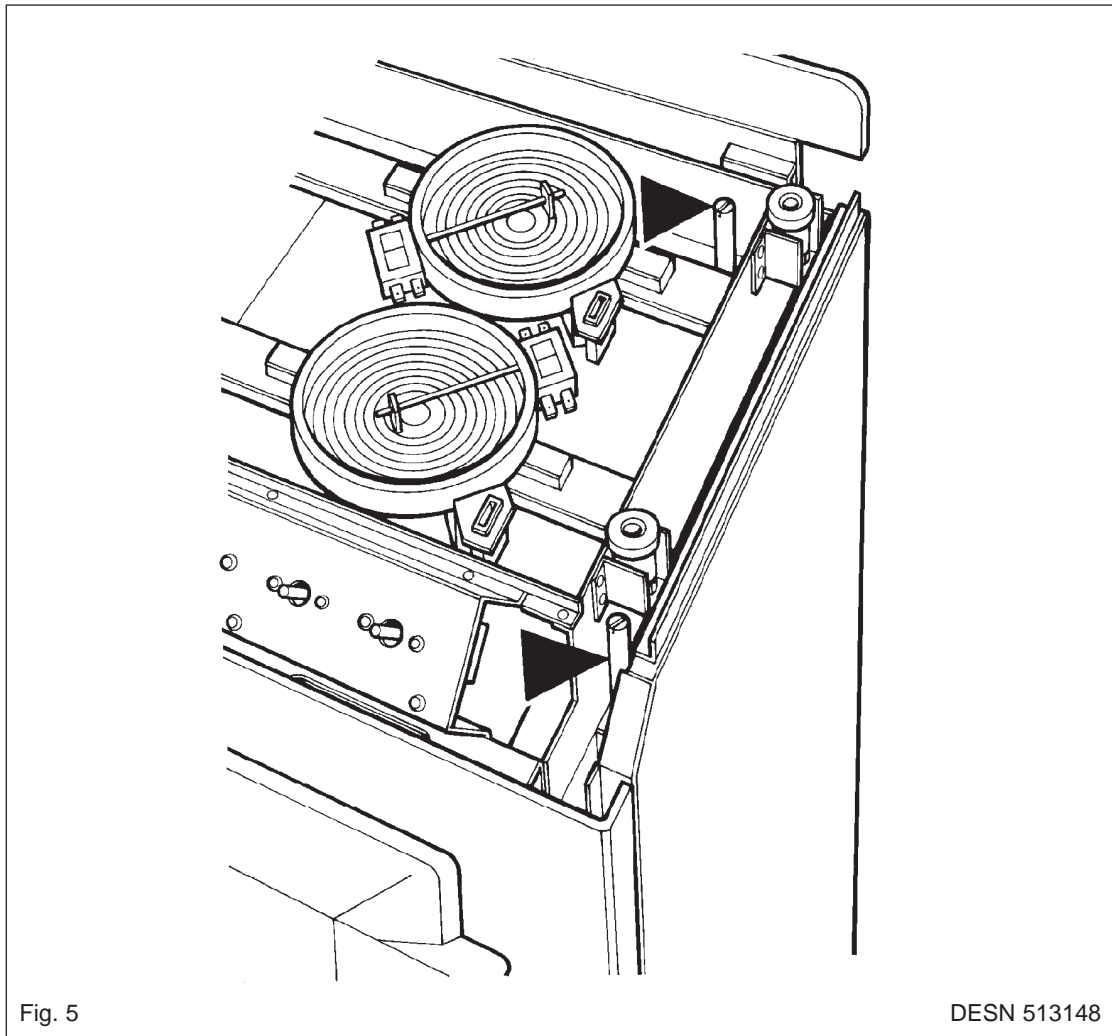
Fig. 4

DESN 513136

LEVELLING AND MOBILITY WHEELS

INSTALLATION/LEVELLING

The Aga Six-Four Series Ceramic Hob is designed to stand on a flat and level surface, any unevenness may be overcome by adjusting the four levelling feet, one at each corner of the base plate. The adjusting screws are accessed by removing the hotplate casting (See section 'To Remove Ceramic Hob and Frame' - Servicing Section - Page 39). To raise the cooker turn screw clockwise, to lower turn screw anti-clockwise.

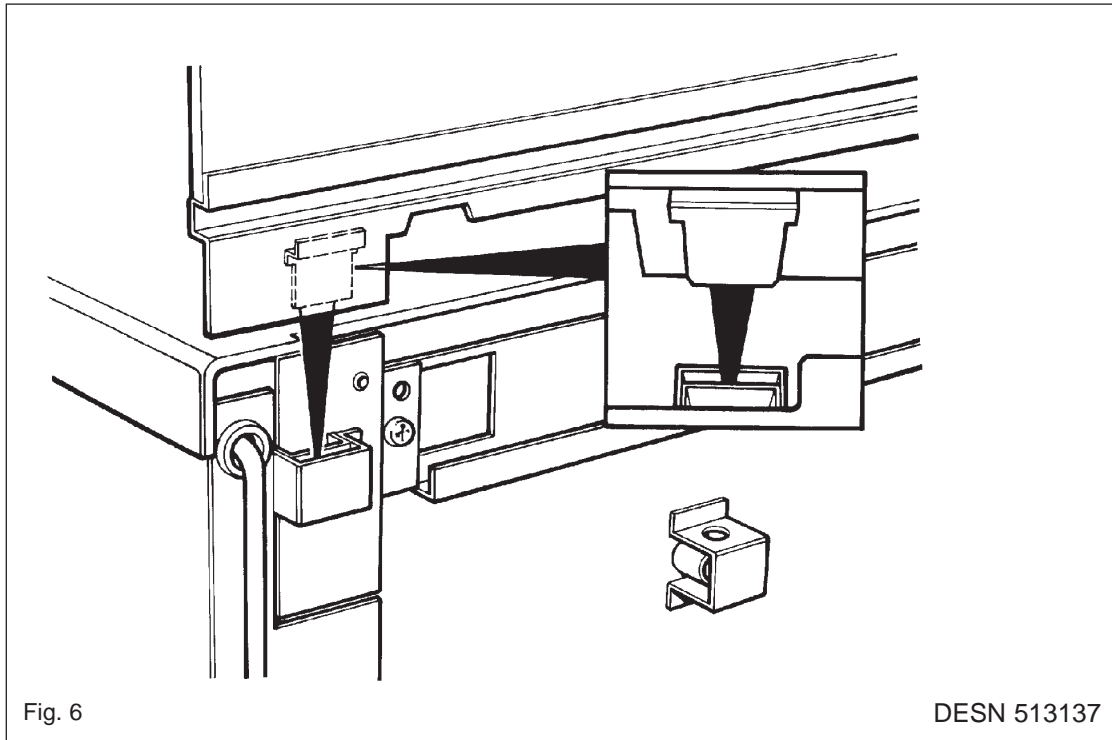


There are rollers on the base of the cooker to allow for positioning.

When the cooker is in the correct position, the four levelling feet can be adjusted to level the cooker. The feet must be lowered enough to prevent the cooker rolling out of position (See Fig. 5).

SPLASHBACK

1. Locate tabs on rear of splashback assembly, into the brackets on the upper rear of the cooker. (See Fig. 6).
Push fully into place.



Users

Guide

HEALTH & SAFETY

APPLIANCE

YOUNG CHILDREN SHOULD BE KEPT AWAY FROM THE APPLIANCE AS SOME SURFACES CAN BECOME HOT TO TOUCH.

- During use the appliance can become hot. Care should be taken to avoid touching heating elements inside the ovens and grill.

Deep Fat Frying

- Use a deep pan, large enough to completely cover the appropriate heating area.
- Always dry food thoroughly before frying and lower it slowly into the hot oil or fat. Frozen foods in particular, will cause frothing and spitting, if added too quickly.
- Do not try to fry too much food at a time, especially frozen food. This only lowers the temperature of the oil or fat too much, resulting in greasy food.
- Keep the outside of the pan, clean and free from streaks of oil or fat.
- Never fill the pan more than one-third full of fat or oil.
- Never leave the fat or oil unattended during the heating or cooking period.
- Never use a lid on the pan.
- IMPORTANT: Oil is a fire risk, do not leave pans containing oil unattended.
- In the event of fire cover with a lid and turn **OFF** the appliance.

Do not attempt to extinguish the fire using water.

Smother the flames on the hob, rather than attempting to remove the pan to the outside.

Burns and injuries are caused almost invariably by picking up the burning pan to carry outside.

CONTROL PANEL

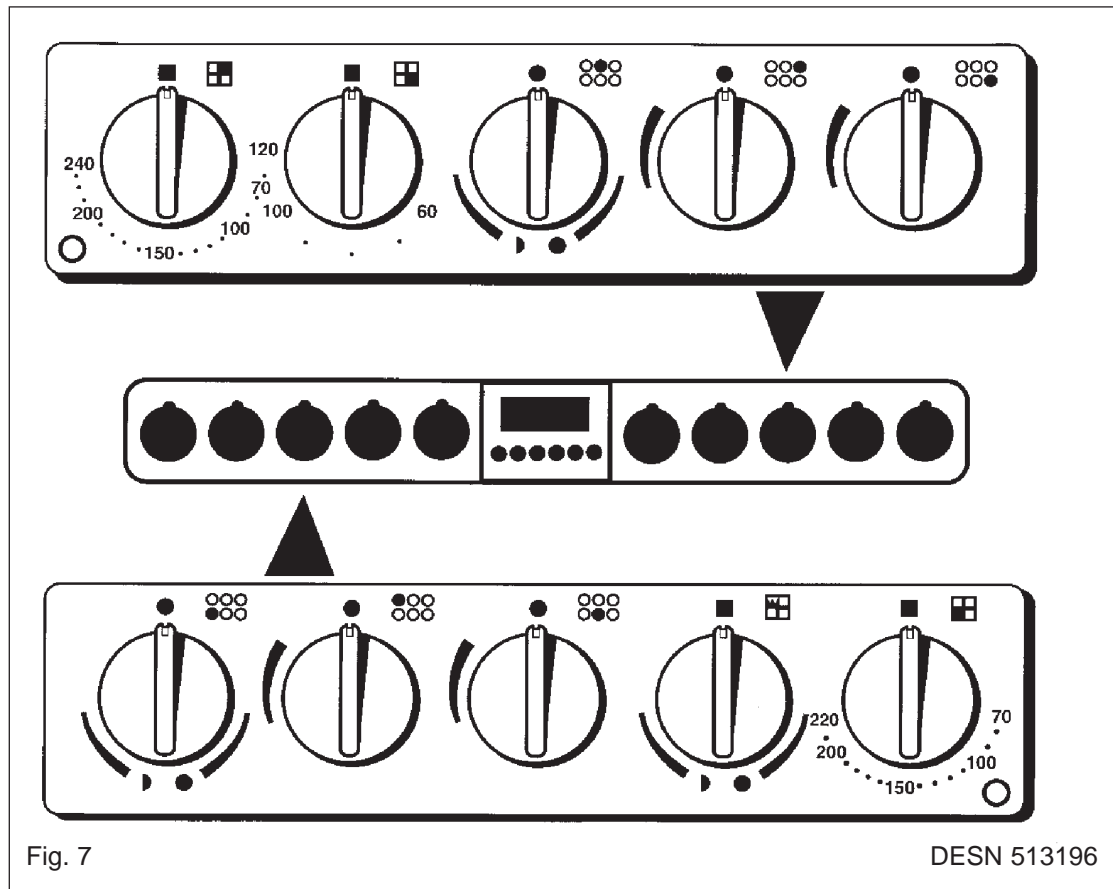


Fig. 7

DESN 513196

- The **GRILL ELEMENT KNOB** needs to be pushed in before turning in either direction.

<i>Clockwise</i>	both elements on
<i>Anti-clockwise</i>	middle element only
- The **HOB ELEMENT** controls are operated also by pushing in the knob before turning to the required setting.
- The **OVEN CONTROL KNOBS** which do not need to be pushed in, can only be rotated *clockwise* from the OFF position.
- The **HOB NEON** illuminates when the hob is hot and therefore too hot to touch. There is a short delay after initial switch on. The neon remains on when the element is switched off until the temperature reduces to a safe level (although the hob may still be warm enough to cause minor discomfort).
- The **OVEN NEONS** illuminate when ovens are switched on. When the required temperature is reached the neon will extinguish.

SETTING UP THE COOKER FOR USE

Before you can use the lower left hand oven (the fan oven) of the appliance it will be necessary to set the 'time of day' clock (see page 31).

This is a 24 hour clock, and when the power supply is initially switched on, or after an interruption in supply, the clock will show **AUTO** and **0.00** alternately.

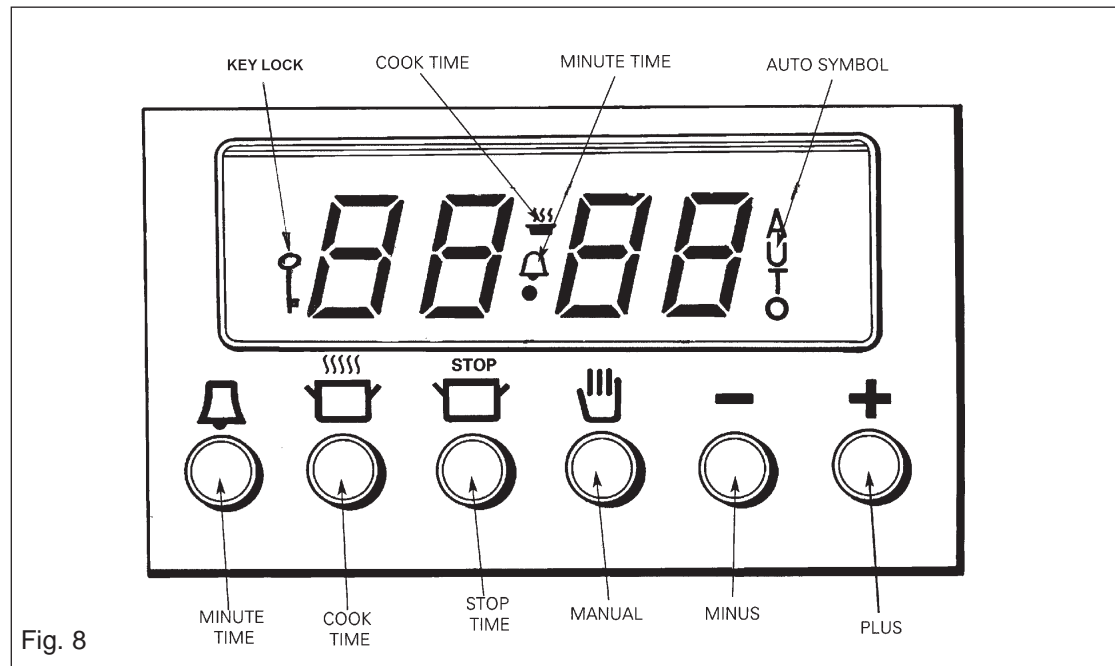




Fig. 8

SETTING THE TIME OF DAY

1. Press and hold the **MINUTE TIMER**  and **COOK TIME**  buttons at the same time, (the word **AUTO** flashes and the **0.00** is displayed steadily) press the **+** or minus - buttons until the required time of day is displayed. The time will increase/decrease from 12.00 hours in minute intervals, slowly and then gaining speed.

The cooker is now ready for manual use.

CERAMIC HOB

- **DO NOT USE THE HOB IF IT IS CRACKED.**
- **DO NOT PLACE ALUMINIUM FOIL ON THE HOB SURFACE.**
- The hob has the six following plates:-
 - front left* - double circuit - 2.2 kW/0.75 kW - 205/120mm dia - rapid heat up
 - rear left* - single circuit - 1.2 kW - 140mm dia - rapid heat up
 - front centre* - single circuit - 1.2 kW - 140mm dia - rapid heat up
 - rear centre* - double circuit - 2.2 kW/0.75 kW - 205/120mm dia - rapid heat up
 - front right* - single circuit - 1.5 kW - 155mm dia - rapid heat up
 - rear right* - single circuit - 1.5 kW - 155mm dia - rapid heat up
- When the hot plates are switched on, the heating area will glow red.
- The hot plates contain a safety switch which limits the ceramic temperature if the plates are operated without a pan in position, or if the plates have been at maximum setting for longer than normal.

To get the best out of your hob

- Ensure that the pan covers the heating area.
- Switch off the plates when the cooking is complete.
- Do not cook directly on the hob surface. Always use a pan.
- Do not use the hob as a chopping board or resting area.
- Always lift the pan off the surface. Do not drag or slide the pans into position.
- Always use the recommended cleaning materials and methods. See 'Cleaning and Caring' section.

Choice of saucepans

- Only smooth flat based pans recommended for use on ceramic hobs **must** be used.
- If cast iron pans are used, ensure they have a machined flat base.
- Never use recessed or ridged base pans.
- The base of the pan should cover the heating area.
- Select a pan of sufficient size to avoid spillage (boiling over). Especially when cooking food containing sugar e.g. jam, marmalade, fruit etc.
- Do not overlap the edge of the ceramic hob area with pans, as this will result in damage to the enamelled surface of the top plate.
- For best results the bottom of the enamelled pan should be 2 - 3mm thick, stainless steel should have sandwich bottoms 4 - 6mm thick.

THE GRILL

- **THE GRILL COMPARTMENT DOOR MUST BE KEPT OPEN WHEN THE GRILL IS ON.**
- **Caution: Accessible parts may be hot when the grill is on. Young children should be kept away.**
- The very high speed instant grill is divided into two areas to save energy and to suit individual grilling requirements.
- Turn the grill control clockwise and the whole of the grilling area can be used for large amounts of food. Turn the control anti-clockwise and the middle area only can be used for small amounts e.g. 2 slices of bread, one or two chops etc.
- Most food is cooked at a high setting but for thicker pieces of meat/poultry and for food such as well done steak the heat can be reduced by turning the control down to a lower setting.
- For best results pre-heat at a high setting for approximately 2 minutes.
- The grill pan fits on the shelf supplied. The shelf is designed to lock in place, but is removable for cleaning. (See Fig. 9B).
- Food should be cooked on the grid or in the base of the grill pan. Some dishes can be placed straight onto the shelf or floor of the compartment. This is useful when browning the top of food such as cauliflower cheese.
- The oven side panels are self cleaning.
- The grill pan can be stored in the base of the grill compartment, when the grill is off.

The following information is for guidance only as shape, thickness, size of food and personal taste can vary.

FOOD	SUGGESTED HEAT SETTING
Toast	HIGH
Pikelet/Crumpet/Muffins	HIGH
Bacon	HIGH
Sausage	HIGH TO MED.
Beefburger	MED. as per packed instructions
Steak med./rare	HIGH TO MED.
Chops	HIGH TO MED.
Fish - whole	HIGH TO MED.
- steaks	HIGH TO MED.
- fillets	HIGH
Chicken portions	HIGH TO MED.
Toppings i.e. meringues potato, cheese etc.	HIGH

THE OVENS (GENERAL)

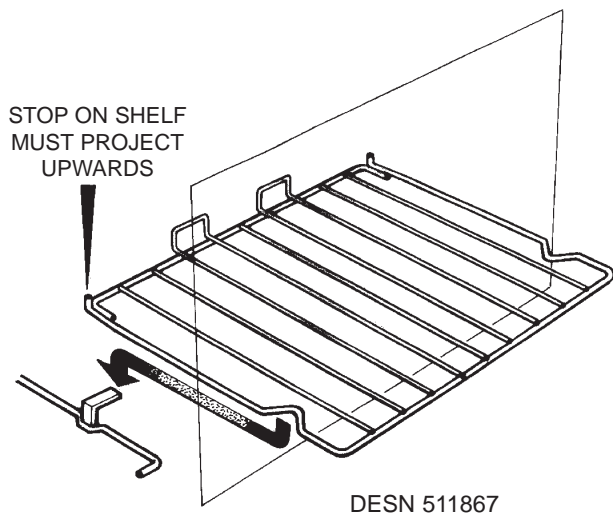
General

- The ovens and grill compartment are fitted with side and back self cleaning panels. The roof of the oven is also self-cleaning enamel.
- The shelves are designed to be non-tilt.
- Shelf positions are counted from the bottom.
- Put dishes in the centre of the shelf.
- To remove a shelf, lift clear of the side notches and slide forward. To replace a shelf, insert into the oven with the short prongs at the rear, facing upwards. Slide into position above the side notches then allow to drop down on the runner.
- Do not place the grid shelf or food on the bases of the ovens.
- Pre-heat the ovens at the appropriate heat settings until the neon light goes out.
- For effective heat distribution, leave a gap of no less than 12mm between the dishes and the sides of the oven.
- Do not use a tin or tray greater than the one supplied with the cooker.
- When using the fan oven, reduce conventional oven settings by 10°C - 20°C and in some cases, cooking time by up to 10 minutes for every hour.
- It is important to check that food is piping hot before serving.
- You can change the setting and cooking time to suit your tastes.

Condensation

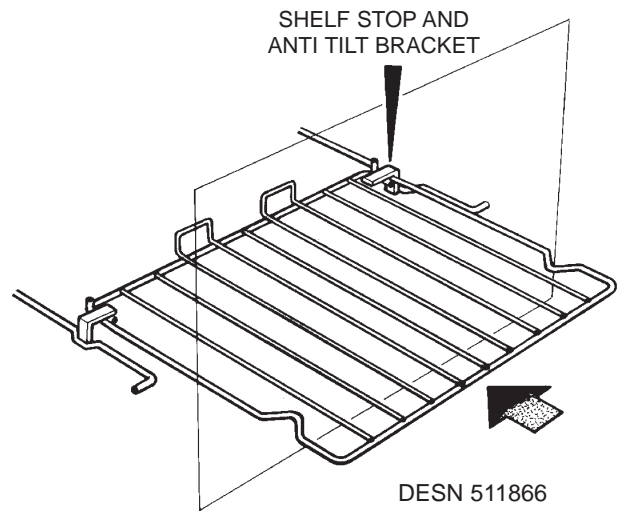
Condensation forms when heat and moisture are present, for example during cooking. Whenever possible try to make sure that the food which contains a lot of moisture is covered e.g. casseroles. If you do notice any condensation, wipe it up straight away.

Oven Shelves - These shelves are designed to slide out



DESN 511867

Refit as follows:
Locate in guide as above.

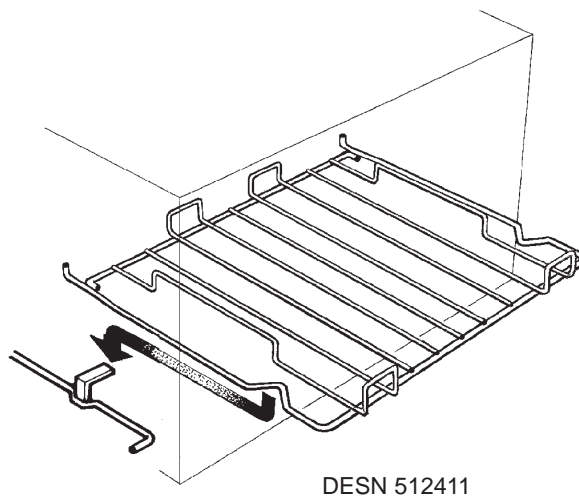


DESN 511866

Please Note: Shelf slides out to stop position.

Fig. 9A

Grill Shelf - DO NOT USE AS OVEN SHELVES.
Please note the different design with shelf guards on both front and back



DESN 512411

Fig. 9B

SIMMERING OVEN

THE SIMMERING OVEN

This is used for long, slow cooking over 6-8 hours, keeping food warm and warming plates for short periods.

EXTRA CARE MUST BE TAKEN WHEN WARMING BONE CHINA - USE THE LOWEST SETTING.

The slow cooking setting is the area marked between 110°C - 120°C on the oven control knob.

USING THE SIMMERING OVEN SETTING

Points to bear in mind when preparing food.

- Do not place dishes directly on to the oven base. Always place onto shelf supplied. (See Fig. 9B).
- Push dishes well back in the oven to ensure that they are positioned over the element beneath the base plate.
- Make sure all dishes will fit into the oven before preparing the food.
- All dishes cooked by the slow cooking method should be cooked for a minimum of 6 hours. They will 'hold at this setting for a further 1-2 hours but marked deterioration in appearance will be noticed in some cases.
- Joints of meat and poultry should be cooked at 180°C (160°C fan oven) for 30 minutes before transferring to the slow cooking oven.
- Meat over 2.7kg (6lbs) and poultry over 2kg (4lbs 8ozs) are unsuitable for the slow cooking method.
- Always stand covered joints on a rack over a meat tin, to allow good air circulation.
- Make sure that pork and poultry reach an internal temperature of at least 90°C.
- This method is unsuitable for stuffed meat and poultry.
- Always bring soups, casseroles and liquids to the boil before putting in the oven.
- When casseroles are used, cover the food first with foil and then the lid to prevent loss of moisture.
- Always thaw frozen food completely before cooking.
- Root vegetables will cook better if cut into small pieces.
- Adjust seasoning and thickenings at the end of the cooking time.
- Egg and fish dishes need only 1-5 hours cooking and should be included in day cooking sessions, where they can be observed from time to time.
- Dried red kidney beans must be boiled for a minimum of ten minutes, after soaking, and before inclusion in any dish.

STORAGE AND RE-HEATING OF FOOD

- If food is to be frozen or not served immediately, cool it in a clean container as quickly as possible.
- Thaw frozen food completely in the refrigerator before re-heating.
- Re-heat food thoroughly and quickly either on the hotplate or in a hot oven 180°C (160°C fan oven), and then serve immediately.
- **Only re-heat food once.**

IDEAS FOR THE SIMMERING OVEN

Many favourite recipes can be adapted for this type of cooking. Check that chosen ovenware will fit into the oven.

Meal 1 6 - 8 hours cooking

Ragout of Beef in Ale

Baked Potatoes

Recipes

30ml (2tbsps) oil
675g (1 1/2 lbs) chuck steak, cubed
1 clove of garlic, crushed
2 carrots, sliced
100g (4oz) mushrooms, quartered
2 medium onions, sliced
40g (1 1/2 ozs) plain flour
5ml (1 tsp) coarse-grained mustard
10ml (1dsp) demerara sugar
30ml (2tbsps) tomato purée
450ml (3/4 pt) brown ale
salt and freshly ground pepper

Ragout of Beef in Ale

1. Sauté the meat in hot oil in a flame proof casserole dish until brown. Remove.
2. Sauté the garlic, onions, carrots and mushrooms until brown.
3. Stir in flour and mix well.
4. Add mustard, sugar and tomato purée.
5. Stir in the ale and seasoning. Return meat.
6. Bring to the boil and cover. Transfer to oven.

Baked Potatoes

4 medium sized potatoes

1. Wash and prick well all over.
2. Wrap in one layer of foil.
3. Place directly on the shelf.

Meal 2 6 - 8 hours cooking

Roast Fillet of Lamb

Dauphinoise Potatoes

Bread and Butter Pudding

Recipes

Roast fillet of Lamb

900g - 1.25 kg (2-2 1/2 lbs) lamb

1. Season and wrap the lamb in foil.
2. Stand meat on a rack (if possible) over a small shallow tin.

Dauphinoise Potatoes

450g (1lb) potatoes, thinly sliced
1-2 cloves of garlic, crushed
125ml (1/4 pt) double cream
salt and freshly ground black pepper

1. Grease a shallow oval or rectangular dish.
2. Arrange layers of potatoes, seasoning and garlic in the dish, ending with potatoes.
3. Pour over the cream and cover well with foil.

Bread and Butter Pudding

6-8 medium slices of wholemeal bread
Approx 50g (2ozs) butter, melted
Grated rind of one orange (optional)
25g (1oz) desiccated coconut
50 - 100g (2 - 4oz) luxury/tropical mixed fruit
50g (2oz) soft brown sugar
450ml (3/4 pt) milk
2 eggs

1. Grease a shallow oval or rectangular dish.
2. Cut the crusts off the bread and divide into rectangles/triangles.
3. Dip enough pieces of bread in the butter on one side to cover the base of the dish, butter side up.
4. Sprinkle with half of the fruit, coconut, sugar and orange rind.
5. Cover with a second layer of bread dipped in the butter and then the remaining rind, fruit, coconut and sugar.
6. Whisk the eggs and milk together and pour over the bread. Stand for 1/2 hour before baking. Leave uncovered in the oven.

Meal 3 6 - 8 hours cooking

Gammon and Apricot Pie

Braised Red Cabbage

St. Clements Pudding

Recipes

2 gammon rashers approx. 15mm (1/2") thick
100g (4oz) no-soak dried apricots
25g (1oz) sultanas
3 large potatoes, thinly sliced
300ml (1/2 pt) chicken stock
50g (2oz) melted butter

Gammon and Apricot Pie

1. Remove the rind from the gammon. Nick the edges and lay them in a shallow dish.
2. Sprinkle with apricots, sultanas and pepper.
3. Overlap the sliced potatoes on top of the gammon. Pour over stock.
4. Brush with melted butter place in the oven.

350g (3/4 lb) red cabbage
25g (1oz) butter
1 medium onion, sliced
1 medium cooking apple, sliced
30ml (2 tbsps) cider vinegar
45ml (3 tbsps) honey
salt and pepper

Braised Red Cabbage

1. Sliced the red cabbage finely.
2. Melt the butter in a large saucepan and sauté the onion and apple until starting to soften.
3. Add the cabbage and cook for a further 2 minutes.
4. Mix in the vinegar, honey and seasoning.
5. Transfer to an ovenproof dish, and cover tightly with foil. Place in the oven.

2 rounds of thick sliced wholemeal bread
a little milk
50g (2oz) butter or margarine
50g (2oz) soft brown sugar
grated rind and juice of 1 lemon
grated rind and juice of 1 orange
3 eggs separated
caster sugar for sprinkling

St. Clements Pudding

1. Grease a shallow oven-proof dish and line the base with fingers of bread.
2. Pour over sufficient milk to be absorbed by the bread.
3. Cream fat and sugar.
4. Add the yolks, lemon and orange rind and juice. Beat.
5. Whisk the egg whites stiffly and fold most of them into the creamed mixture.
6. Spread this mixture over the bread.
7. Finish with a layer of the remaining egg white, thickly dredged with sugar. Leave uncovered. Place in the oven.

Meal 4

Chilli Con Carne

Frangipane and Apple Pudding

Recipes

Chilli Con Carne

450g (1lb) minced beef
1 x 400g (14oz) tin tomatoes
1 x 400g (14oz) tin red kidney beans
1 packet Chilli con carne spice mix
100ml (4 fl oz) water

1. Brown the minced beef in a flame proof casserole dish.
2. Stir in the spice mix.
3. Add beans drained, tomatoes and water.
4. Mix well together. Bring to boil, cover well and place in oven.

Frangipane and Apple Pudding

450g (1lb) cooking apples
50g (2oz) vanilla fudge, chopped
50g (2oz) softened butter
(2oz) soft brown sugar
50g (2oz) ground almonds
12g (1/2 oz) plain flour
1 egg
almond essence

1. Grease a shallow oven dish.
2. Mix the apples and fudge together and place into the dish.
3. Cream the rest of the ingredients and add a few drops of almond 50 essence.
4. Carefully spread over the apple. Leave uncovered and place in oven.

OVEN COOKING GUIDE



Cooking Hints

- Shelf positions are counted from the bottom upwards.
- Put dishes in the centre of the shelf.
- When using the fan oven, reduce conventional oven settings by 10°C - 20°C and in some cases, cooking time by up to 10 minutes for every hour.
- It is important to check that the food is piping hot before serving.
- You can change the setting and cooking time to suit your tastes.

Conventional Oven

Conventional Oven • Conventional Oven • Conventional Oven • Conventional Oven

- The right hand upper oven is a conventional oven which means that the heating elements are in the top and under the base of the oven compartment.
- The cooking charts are a general guide but times and temperatures may vary according to individual recipes.
- The meat sections should be used as a general guide but may vary according to the size, shape of joint on or off the bone.
- Thaw frozen joints before cooking them.
- The times are for open roasting. If covered allow for extra time.
- The turkey/chicken is cooked when the juices run clear when pierced with a skewer. If the juices are still pink continue to cook, checking every 15 minutes.
- Shelves are numbered from the bottom upwards.

FOOD	SETTING °C	SHELF POSITION	APPROXIMATE COOKING TIME & COMMENTS
Fish			
Whole Fish e.g. trout, mackerel	190	2 or 3	25 - 30 mins depending on size
Steaks	190	2 or 3	20 - 25 mins depending on thickness
Oven-fried fish	210 - 220	3 or 4	25 mins depending on packet instructions
Salmon (2.7kg)	160 - 170	1 or 2	15 - 18 mins per 450g
Meat & Poultry			
Beef	180 - 190	1 or 2	30 mins per 450g + 30 mins over (medium rare)
Lamb	180 - 190	1 or 2	25 mins per 450g + 25 mins over
Pork	180 - 190	1 or 2	30 - 35 mins per 450g + 35 mins over
Chicken	190 - 200	1 or 2	20 - 25 mins per 450g + 20 mins over
Turkey	180 - 190	1	15 - 18 mins per 450g + 15 mins over
Duck & Goose	190 - 200	1	25 mins per lb + 25 mins over
Casserole	150 - 160	1 or 2	1 1/2 - 3 hours depending on recipe
Puddings			
Milk Puddings	160	1 or 2	2 hours
Baked Custard	150	1 or 2	35 mins
Baked Sponge Pudding	190	2 or 3	45 mins - 1 hour using raw fruit
Fruit Crumble	190 - 200	2 or 3	45 mins - 1 hour

FOOD	SETTING °C	SHELF POSITION	APPROXIMATE COOKING TIME
Meringue Toppings	140 - 150	1 or 2	45 mins
Meringues	100 - 110	2	3 - 4 hours - Turn meringues over as soon as they are set
Yeast Mixture			
Bread - loaves	220 - 230	1	30 - 45 mins
Bread - rolls	220 - 230	2 or 3	15 - 20 mins
Chelsea Buns etc	190	1 or 2	25 - 35 mins
Cakes, Pastries, Biscuits & Scones			
Small Cakes	190	3	20 - 25 mins
Victoria Sandwich	180	3	25 - 30 mins
Swiss Roll	190	2 or 3	7 - 10 mins
Fatless Sponge (180mm)	190	3	20 mins
Scones	220	3	10 - 15 mins
Maderia Cake	180	1 or 2	1 hour - Place on a piece of citron peel after 20 mins
Med. Rich Fruit Cake	150	1	2 - 2 1/2 hours
Christmas Cake	140 - 150	1	4 - 4 1/2 hours
Gingerbread	150 - 160	1 or 2	1 - 1 1/2 hours
Shortbread	150	2 or 3	1 1/4 - 1 1/2 hours
Biscuits	170 - 180	2 or 3	15 - 25 mins depending on recipe
Tray Bakes & Tea Breads	180 - 190	2 or 3	30 mins - 1 1/2 hours depending on recipe
Shortcrust Pastry	200	2 or 3	Small Tarts 20 - 25 mins depending on recipe, Pies 45 - 50 mins depending on recipe
Rich Shortcrust	190	2 or 3	25 mins
Flaky/Puff Pastry	220 - 230	2 or 3	8 - 10 mins depending on recipe
Choux Pastry	200	2 or 3	25 - 35 mins
Miscellaneous			
Yorkshire Pudding - Large	220	2 or 3	45 mins
Yorkshire Pudding - Individual	220	2 or 3	20 - 25 mins
Soufflés	190	2	45 mins

Fan Oven

• Fan Oven • Fan Oven • Fan Oven • Fan Oven • Fan Oven • Fan Oven • Fan Oven •

- The left hand lower oven is a fan oven, which means that the air is circulated to create an even temperature throughout. In most cases, food can be cooked at approximately 10°C - 20°C lower in a fan oven.
- The cooking charts give a general guide but times and temperatures may vary according to individual recipes.
- The meat sections should be used as a guide but may vary according to the size, shape of joint on or off the bone.
- Thaw frozen joints thoroughly before cooking them.
- The times are for open roasting. If covered with foil allow for extra time.
- The turkey/chicken is cooked when the juices run clear when pierced with a skewer. If the juices are still pink continue to cook checking every 15 minutes until juices run clear.





FOOD	SETTING °C	APPROXIMATE COOKING TIME
Fish		
Whole Fish e.g. trout, mackerel	170	25 - 30 mins depending on size
Steaks	170	20 - 25 mins depending on thickness
Oven-fried fish	170	25 mins depending on packet instructions
Salmon (2.7kg)	140 - 150	15 - 18 mins per 450g
Meat & Poultry		
Beef	170 - 180	30 mins per 450g + 30 mins over (medium rare)
Lamb	170 - 180	25 mins per 450g + 25 mins over
Pork	170 - 180	30 - 35 mins per 450g + 35 mins over
Chicken	170 - 180	20 - 25 mins per 450g + 20 mins over
Turkey	150 - 160	15 - 18 mins per 450g + 15 mins over
Duck & Goose	170 - 180	25 mins per lb + 25 mins over
Casserole	130 - 140	1 1/2 - 3 hours depending on recipe
Puddings		
Milk Puddings	140	2 hours
Baked Custard	140	35 mins
Baked Sponge Pudding	160	45 mins - 1 hour using raw fruit
Fruit Crumble	170 - 180	45 mins - 1 hour

FOOD	SETTING °C	APPROXIMATE COOKING TIME
Meringue Toppings	130	45 mins
Meringues	80 - 90	3 - 4 hours - Turn meringues over as soon as they are set
Yeast Mixtures		
Bread - loaves	200 - 210	30 - 45 mins
Bread - rolls	200 - 210	15 - 20 mins
Chelsea Buns etc.	180	25 - 35 mins
Cakes, Pastries, Biscuits & Scones		
Small Cakes	170 - 180	20 - 25 mins
Victoria Sandwich	160 - 170	25 - 30 mins
Swiss Roll	200 - 210	7 - 10 mins
Fatless Sponge (180mm)	170	20 mins
Scones	200 - 210	10 - 15 mins
Maderia Cake	160	1 hour - Place on a piece of citron peel after 20 mins
Med. Rich Fruit Cake	130	2 - 2 1/2 hours
Christmas Cake (205mm)	130	4 - 4 1/2 hours
Gingerbread	130 - 140	1 - 1 1/2 hours
Shortbread	140 - 150	1 1/4 - 1 1/2 hours
Biscuits	130 - 180	15 - 25 mins depending on recipe
Tray Bakes & Tea Breads	160 - 170	30 mins - 1 1/2 hours depending on recipe
Shortcrust Pastry	190	Small Tarts 20 - 25 mins depending on recipe, Pies 45 - 50 mins depending on recipe
Rich Shortcrust	180	25 mins
Flaky/Puff Pastry	210	8 - 10 mins depending on recipe
Choux Pastry	190 - 200	25 - 35 mins
Miscellaneous		
Yorkshire Pudding - large	200	45 mins
Yorkshire Pudding - individual	200	20 - 25 mins
Soufflès	170 - 180	45 mins

THE MINUTE TIMER

The minute timer works separately from the time of day clock and can be set to time periods from 1 minute to 23: 59 hours. Only a one handed operation is required.

SETTING THE MINUTE TIMER

1. Press the **MINUTE TIMER**  button the bell symbol and **0.00** will be displayed. Set the required time by using the plus **+** and minus **-** buttons.
2. After 5 seconds the display will go back to showing the time of day, the bell symbol will remain steady and the set time will immediately start to count down, by pressing the minute timer button the display shows the time remaining.
3. At the end of the set time, a beep will sound, the bell symbol will flash and continue for 2 minutes unless cancelled by pressing the **MINUTE TIMER**  button or **MANUAL**  button.
4. The setting can be cancelled by pressing the **MINUTE TIMER**  and minus **-** button and running the time back to **0.00**.

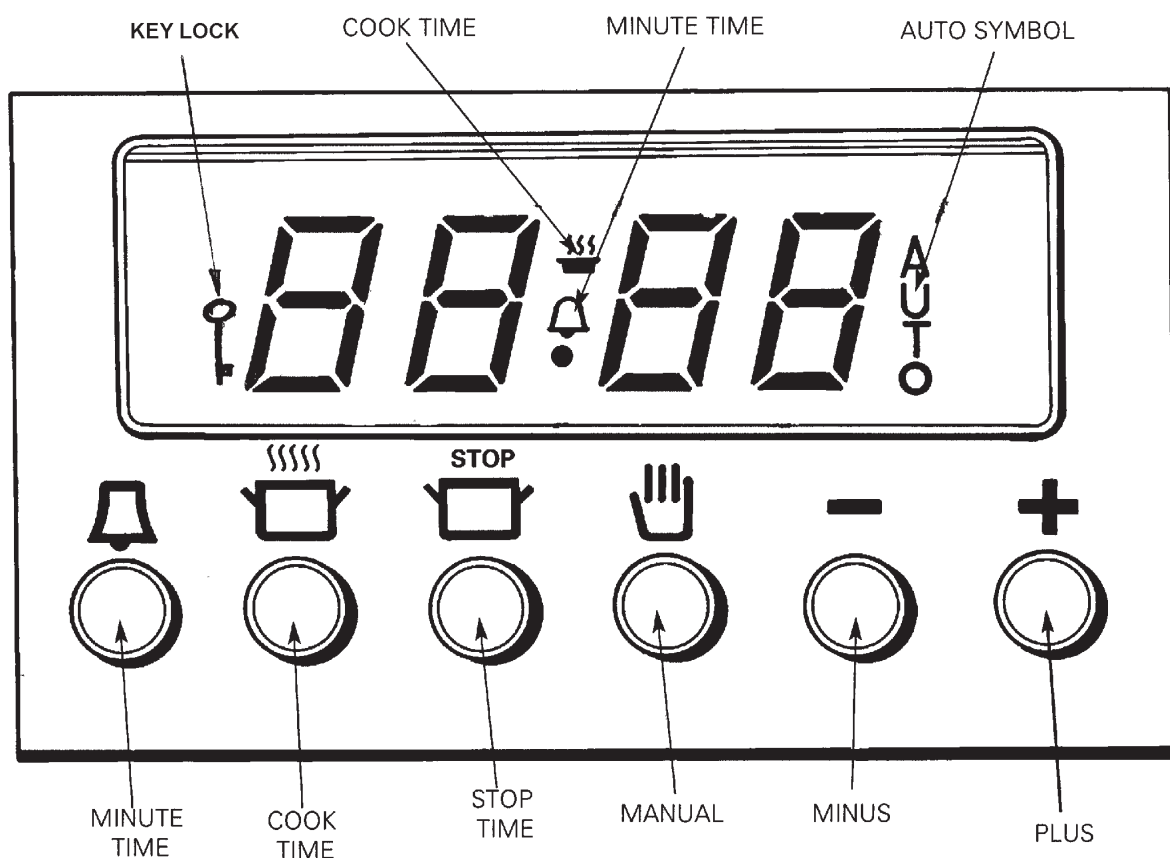


Fig. 10

DESN 512657

AUTOMATIC COOKING CONTROL

This can be used to set an automatic cooking programme in the **bottom left hand oven only**. It switches the electricity on and off at the pre-set times.

The maximum length of cooking programme which can be set is 23 hours and 59 minutes e.g. delay time + cooking time = maximum 23 hours and 59 minutes.

Before setting a programme check that the clock is telling the correct time of day, and have the following information to hand:

- The length of time the food needs to cook.
- The time that the food is to finish cooking.
- The oven control setting required.




SETTING THE AUTOMATIC COOKING PROGRAMME


Either the **STOP TIME**  or the **COOK TIME**  buttons can be pressed first.

Each setting will remain displayed for 5 seconds before changing back to display the time of day.




An example of setting a programme using the cook time button first

The food needs 2 hours and 30 minutes at 140°C and is required to be ready by 18.00 hours

1. Place the food on the correct shelves in the oven.
2. Check that the clock is telling the correct time of day.
3. Press the **COOK TIME**  button and then the plus + or minus - buttons until 2 hours 30 minutes is displayed.
4. Press the **STOP**  button and then the plus + or minus - buttons until 18.00 hours is displayed.
5. Set the oven temperature control to 140°C.
6. 5 seconds after setting, the clock will display the time of day and **AUTO**.
7. When cooking starts the **COOK TIME**  symbol illuminates and remains throughout cooking.
8. When the cooking has finished, a beep will sound and continue for 2 minutes, unless cancelled manually.


The **AUTO** symbol will flash. To cancel these and return to manual press **MANUAL COOK**  button twice.


SETTING AN END TIME. AUTOMATICALLY

1. Place the food on the correct shelves in the oven.
2. Press the **STOP**  button until the time at which cooking is to end, appears on the display.
3. Set the oven temperature control.
Cooking will start immediately and the **COOK TIME**  symbol will illuminate and remain throughout cooking.
4. When the cooking is finished, a beep will sound and continue for 2 minutes unless cancelled manually.
The **AUTO** symbol will flash.
5. To cancel and return to manual mode, press the **MANUAL COOK TIME**  twice.

Programmes can be adjusted at any time by pressing the appropriate buttons and the plus + and minus - buttons as described previously.

CANCELLING A PROGRAMME



The cooking programme can be cancelled by pressing the **COOK TIME**  button and the minus - button until **0.00** appears in the display.

Press the **MANUAL COOK TIME**  button to return the oven to manual mode.



NOTE: When an automatic cooking programme has been set, the time of day clock cannot be adjusted.

KEY LOCK - If this mode is activated, a programme, can be set but it will not be activated, i.e. **ON** and **OFF** times can be set, but time will not switch the ovens on.

TO ACTIVATE KEY LOCK FUNCTION

1. Ensure the timer is in manual mode (no active programmes).
2. Hold the **MINUTE TIMER**  button and **COOK TIME**  button simultaneously, for approximately 8 seconds. The display will read **ON**.
3. Press the **+** plus button. The display reads **OFF** and the key symbol appears. After approximately 5 seconds the time of day reappears next to the key symbol. The key lock is now activated.

TO DE-ACTIVATE KEY LOCK FUNCTION

1. Ensure the timer is in manual mode.
2. Hold the **MINUTE TIMER**  button and **COOK TIME**  button simultaneously for approximately 8 seconds, the display will read **OFF**.
3. Press the **+** plus button. The display reads **ON**, the key symbol disappears. After approximately 5 seconds the time reappears and the key lock is now deactivated.

CLEANING & CARING FOR YOUR COOKER

General

- Always switch OFF at the mains before cleaning.
- When cleaning use as little water as possible.
- Do not use a steam cleaner to clean this cooker.
- If milk or fruit juice or anything containing acid is spilt on the cooker, wipe it up immediately.
- Clean off any condensation streaks on the front plate around the oven doors or the vitreous enamel may be permanently discoloured.
- Do not use abrasive pads, oven cleaner or cleaners containing citric acid on enamelled surfaces.

Ceramic Glass Hob

- Try not to let liquids boil over.
- Wipe up spills as they occur.
- Always use a clean cloth (not one that has been used for greasy washing up).
- Burnt on substances such as sugar, acidic food, kitchen foil or plastic should be removed **IMMEDIATELY** whilst the hob is still hot with a proprietary razor blade scraper. The hob should then be cleaned with a proprietary cleaner such as Hob Brite or Easy Do.

DO NOT USE HOB BRITE ON ENAMELLED SURFACES.

CLEANING & CARING FOR YOUR COOKER

<u>COOKER PART AND FINISH</u>	<u>CLEANING METHOD</u>
<p><u>Vitreous Enamel</u></p> <p>Grill & fan oven - bases only Control panel Roasting tin Grill pan Conventional & simmering oven roof and base Door liners Front of cooker Doors Timer surround Hotplate side trims</p>	<p>Clean with a damp cloth and hot soapy water. Stubborn stains can be removed with mild cream, paste or liquid cleaners, or by gently rubbing with a well moistened, liberally soaped very fine steel wool pads e.g. Brillo.</p> <p>The roasting tin and baking tray may <u>OCCASIONALLY</u> be cleaned in a dishwasher.</p> <p>DO NOT IMMERSE DOORS IN WATER AS THEY ARE PACKED WITH INSULATING MATERIAL.</p> <ul style="list-style-type: none"> • Check that the cleaning agent is approved by the (VEA) Vitreous Enamel Association.
<p><u>High Temperature Protective Coating & Anodised aluminium</u></p> <p>Hand rail bracket Plinth Hotplate rear trim</p>	<p>Clean with a damp cloth and hot soapy water.</p> <p style="text-align: center;"><u>IMPORTANT</u> <u>DO NOT USE ABRASIVES</u></p>
<p><u>Glass</u></p> <p>Grill element cover Splashback</p>	<p>As for enamel cleaning above. Polish with a clean dry cloth or kitchen roll.</p>
<p><u>Stainless steel</u></p> <p>Door catches Handrail</p>	<p>Use warm soapy water or a proprietary stainless steel or chrome cleaner</p>
<p><u>Chromium Plated</u></p> <p>Oven and grill shelves Shelf supports Grill pan handle Grill pan grid</p>	<p>Wipe with a damp cloth and soapy water. A well moistened liberally soaped very fine steel wood pad e.g. Brillo, or stainless steel cleaner may be used.</p>
<p><u>Plastic</u></p> <p>Grill pan handle Control knobs Timer facia & controls Neons</p>	<p>Wipe with a damp cloth and hot soapy water. Stubborn stains may be removed with a cream cleaner carefully applied.</p>

COOKER PART AND FINISH

Heat-Clean Enamel

Fan oven, Conventional oven, Simmering oven: sides, top and back
Grill compartment: sides and back

CLEANING METHOD

This special enamel has a continuous cleaning action, which works best if a pattern of low and high temperature cooking is followed. By using low temperature roasting, excessive fat splashes can be avoided. Should any excessive staining occur, immediately clean the area with hot water containing detergent, and a nylon washing-up brush. Resistant stains require the oven to be run at 210°C for 2 hours.

DO NOT USE ANY CLEANING MATERIAL WHICH MAY CLOG THE PORES OF THE SPECIAL COATING e.g. PASTES AND POWDERS, SOAP-FILLED PADS, WIRE WOOL, SPRAY CLEANERS, BRUSH-ON OVEN CLEANERS, CAUSTIC SOLUTIONS, METAL SCRAPERS/KNIVES, AND PREVENT THE CONTINUOUS CLEANING ACTION.

Servicing

Section

Remember, when replacing a part on this appliance, use only spare parts that you can be assured conform to the safety and performance specification that we require. Do not use reconditioned or copy parts that have not been clearly authorised by AGA.

SERVICING

- In the event of your appliance requiring maintenance, please call Aga Service or contact your authorised distributor/stockist.
- Your cooker must only be serviced by a qualified engineer from an authorised distributor.
- Do not alter or modify the cooker.
- Only the spares specified by the manufacturer are to be fitted.

WARNING: WHEN SERVICING OR REPLACING COMPONENTS ISOLATE THE APPLIANCE FROM THE ELECTRICAL SUPPLY.

A. TO REMOVE SIDE PANELS

1. Isolate from electric supply.
2. Remove ceramic hob and frame assembly. (See section B).
3. Lower the cooker onto the rollers by turning the adjusting feet fully anti-clockwise.
4. Roll the cooker slightly forward.
5. Remove rear fixing screws (3) and slide panel back and out.
6. Re-assemble in reverse order.

B. TO REMOVE CERAMIC HOB AND FRAME

1. Isolate from electric supply.
2. Pull off the control knobs. (See Fig. 11).
3. Remove corner stay button.
4. Remove corner stay nut.
5. Remove timer assembly. (See section D).
6. Lift off the assembly.
7. Re-assemble in reverse order, fitting the timer assembly last. (See section D).

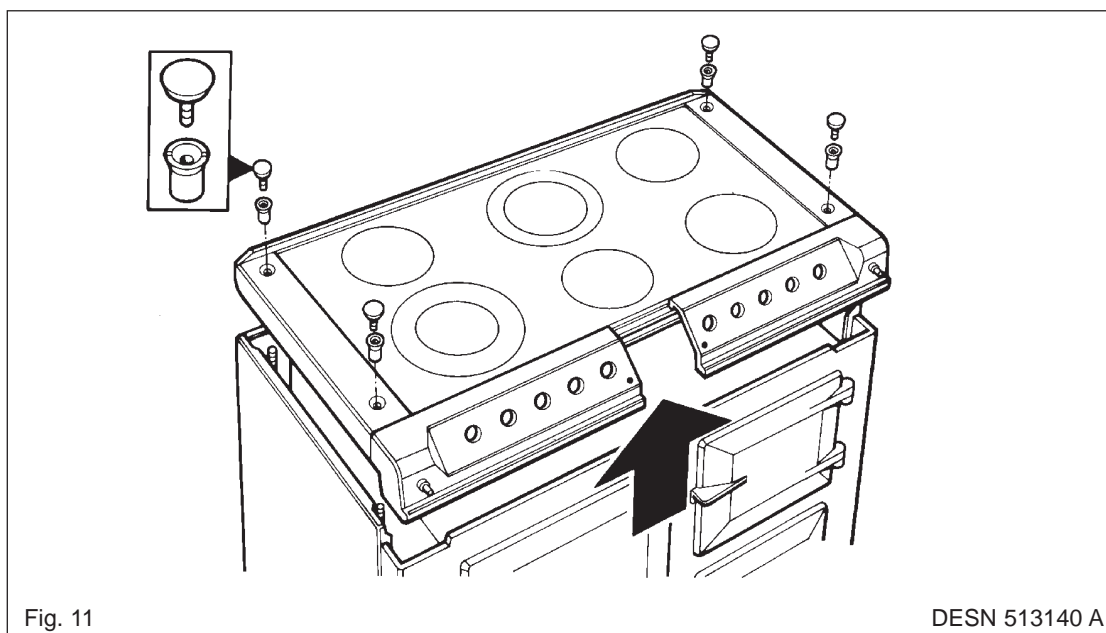
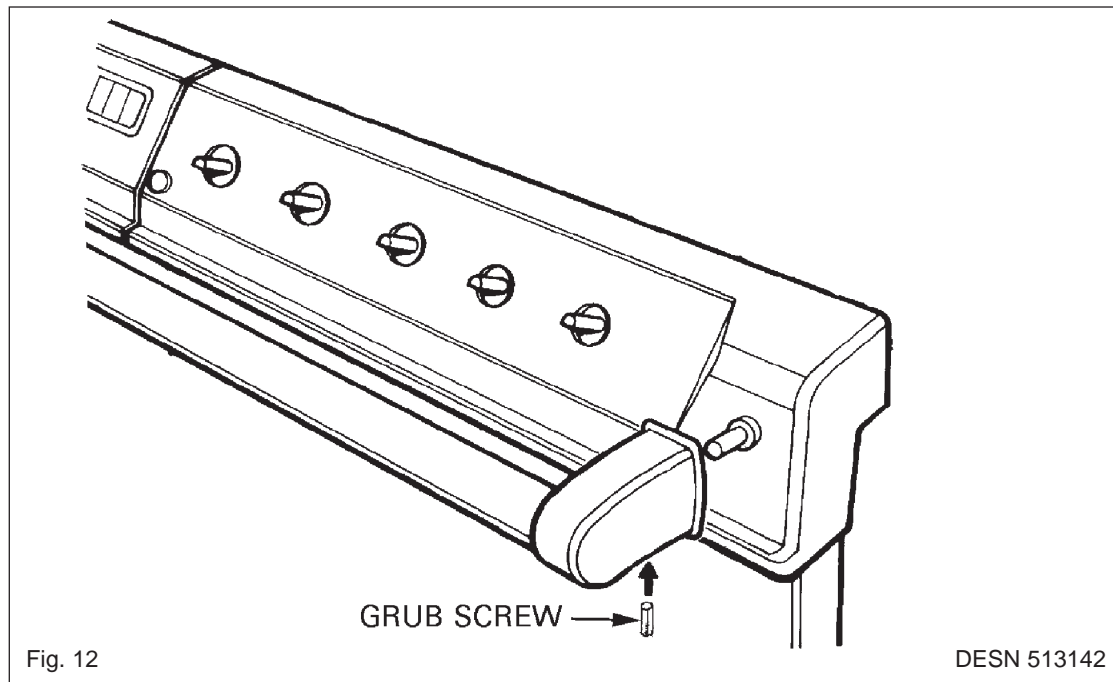


Fig. 11

DESN 513140 A

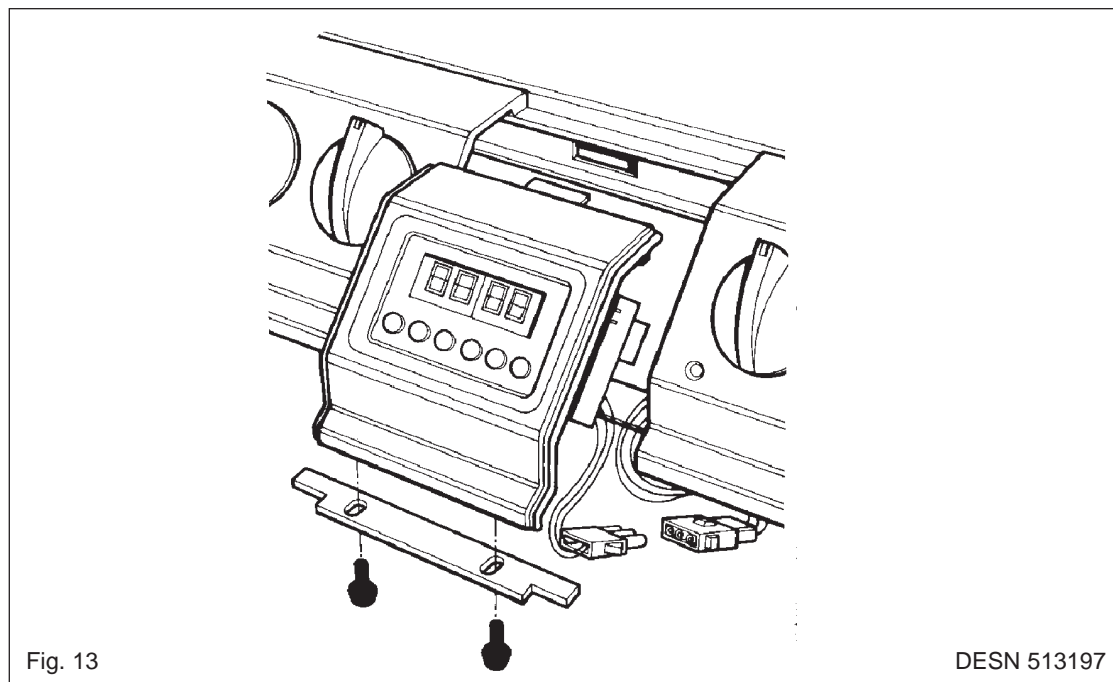
C. TO REMOVE HANDRAIL

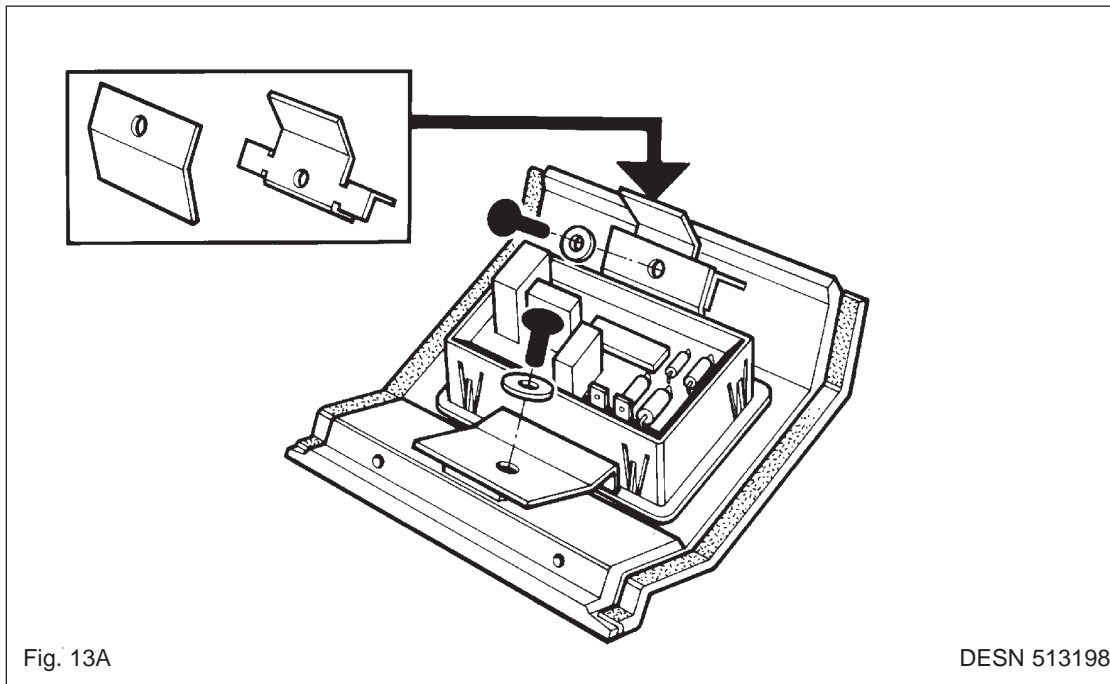
1. Loosen 2 grub screws, one at each end of hand rail (See Fig. 12) using 2 1/2 mm socket key.
2. Slide hand rail forwards, off locating studs.



D. TO REMOVE TIMER ASSEMBLY

1. Isolate from electric supply.
2. Remove timer casting bar and screws (2).
3. The timer assembly can now be eased out to disconnect wiring. (See Fig. 13).
4. The timer assembly is now free
5. To remove timer - Remove 2 screws as shown in Fig. 13A.





E. TO REMOVE ENERGY REGULATOR

1. Isolate from electric supply.
 2. Proceed as 'CERAMIC HOB AND FRAME'.
 3. Remove (2) screws securing control to control mounting panel.
 4. Withdraw control and cables taking care not to strain the cables.
 5. Disconnect cables from the control.
- NOTE:** Take care to identify terminations.
6. Re-assemble in reverse order.

F. TO REMOVE OVEN THERMOSTATS

1. Isolate from electric supply.
2. Proceed as 'TO REMOVE ENERGY REGULATOR'.
3. Remove (7) back panel screws.
4. Remove thermostat phial and capillary through back of the cooker, note correct capillary route.
5. Re-assemble in reverse order.

G. TO REMOVE OVEN AND GRILL LINERS - SEE FIG. 14

1. Remove LH and RH runners (4 screws per runner).
2. Remove runners and liners.

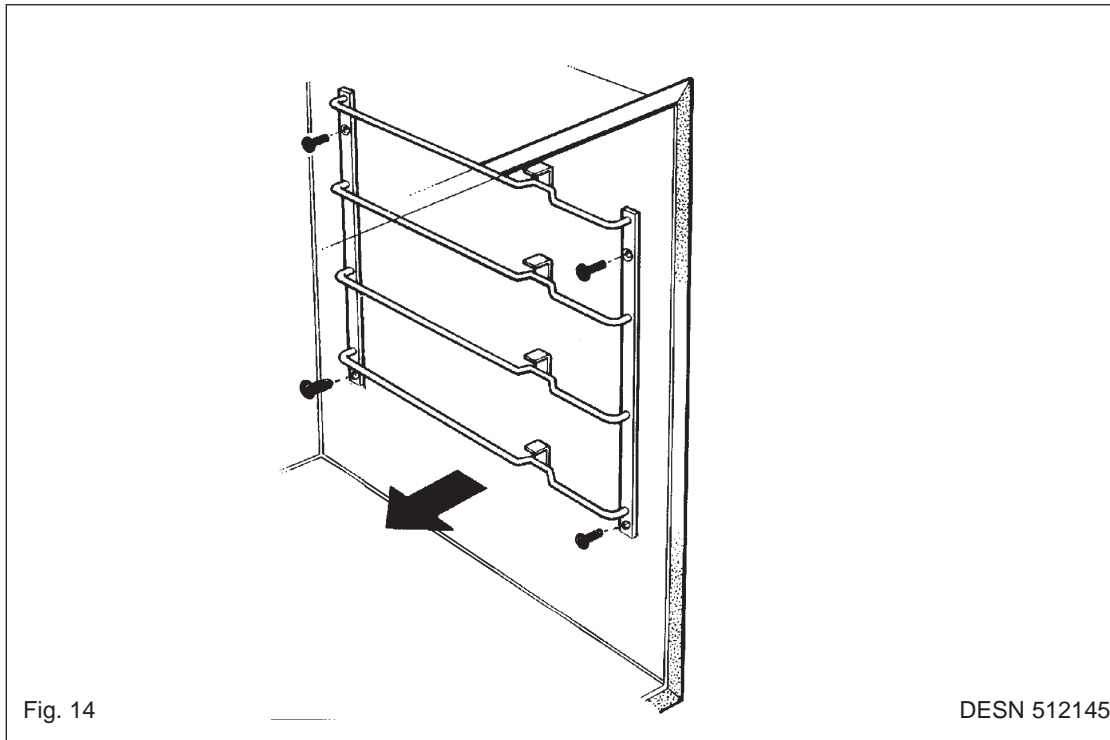


Fig. 14

DESN 512145

H. TO REMOVE ELEMENTS (RH OVENS)

1. Isolate from electrical supply.
2. Proceed as to 'TO REMOVE OVEN AND GRILL LINERS'.
3. Remove oven base panel (1) screw at the rear of the oven.
4. Lift out base panel.
5. Remove oven element fixing screws (2) at the rear of the oven and flex elements to remove from location bracket, pull forwards to expose terminal connections.
6. Remove connection, make sure they do not fall down the back of the appliance.
NOTE: RH TOP OVEN has an element above the roof liner, remove in the same way as for base elements.
7. Re-assemble in reverse order.

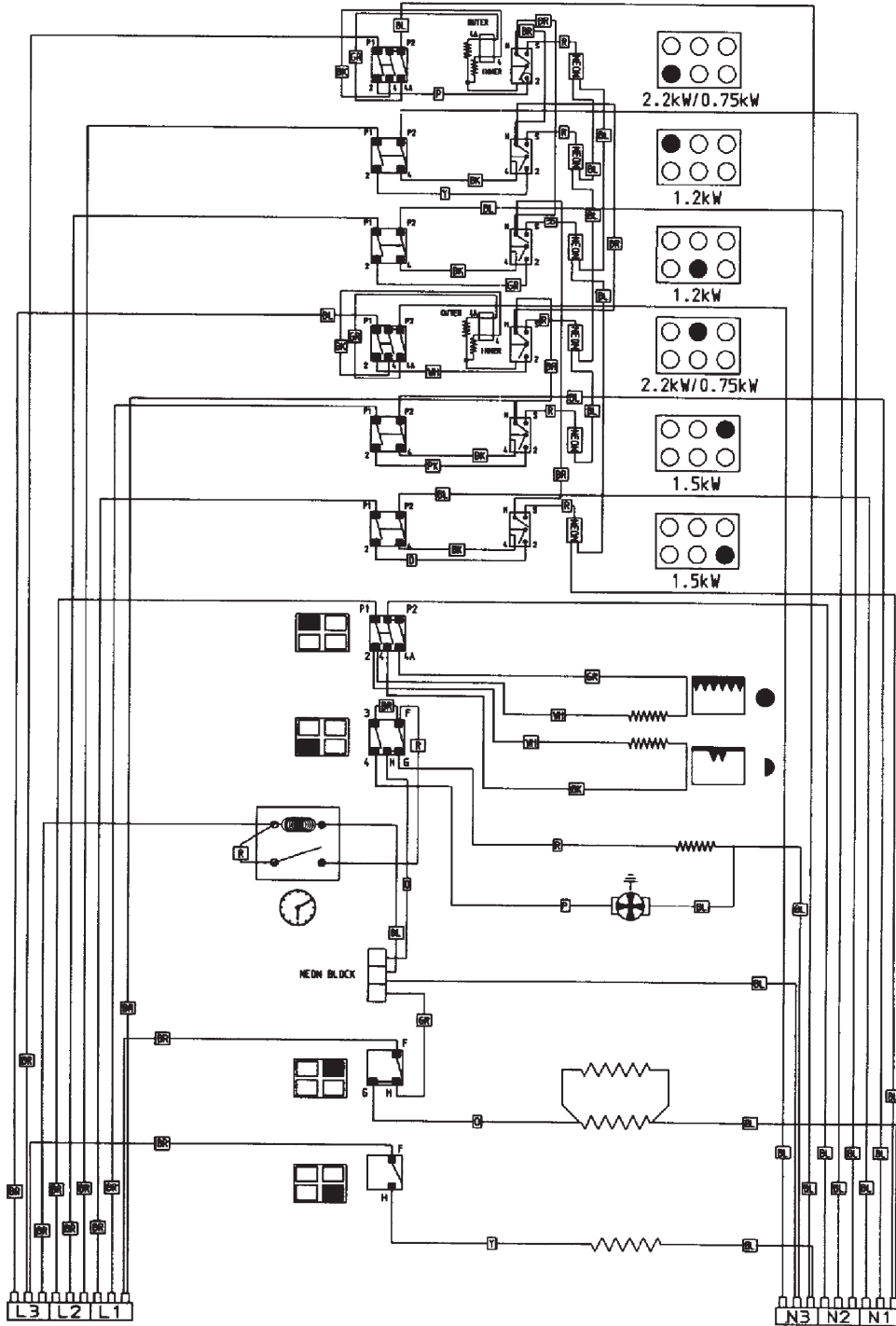
I. TO REMOVE FAN OVEN ELEMENT

1. Isolate from electric supply.
2. Proceed as 'TO REMOVE OVEN LINERS'.
NOTE: You will only need to remove one side.
3. Remove (4) fan cover fixing screws and withdraw panel.
4. Remove (3) screws securing element to frame and carefully withdraw element until access can be made to the electrical terminals.
5. Disconnect terminals taking care not to allow the cable to fall down the rear of the appliance.
6. Re-assemble in reverse order.

J. TO REMOVE OVEN FAN

1. Isolate from electric supply.
2. Proceed as 'TO REMOVE OVEN ELEMENT'.
3. Remove (4) fixing screws securing fan assembly to frame.
4. Withdraw fan assembly sufficiently to gain access to motor electrical terminals and disconnect cables.
5. Remove fan blade.
NOTE: Fan blade fixing nuts is LH thread.
6. Remove motor from mounting plate screws.
7. Re-assemble in reverse order.

SIX-FOUR CERAMIC HOB
SCHEMATIC WIRING DIAGRAM



COLOUR KEY:

- | | |
|-------------|------------|
| BL - BLUE | BR - BROWN |
| WH - WHITE | P - PURPLE |
| R - RED | BK - BLACK |
| GR - GREY | Y - YELLOW |
| OR - ORANGE | P - PINK |

**For further advice or information please
contact your local Aga Specialist**

With Aga's policy of continuous product improvement, the Company reserves the right to change specifications and make modifications to the appliance described at any time.



Manufactured by
Aga
Station Road
Ketley Telford
Shropshire TF1 5AQ
England

www.aga-web.co.uk
www.agacookshop.co.uk
www.agalinks.com

