

INFORMATION SHEET NO 003-26-07-24
DIRECT AIR KITS FOR VERMONT APPLIANCES®

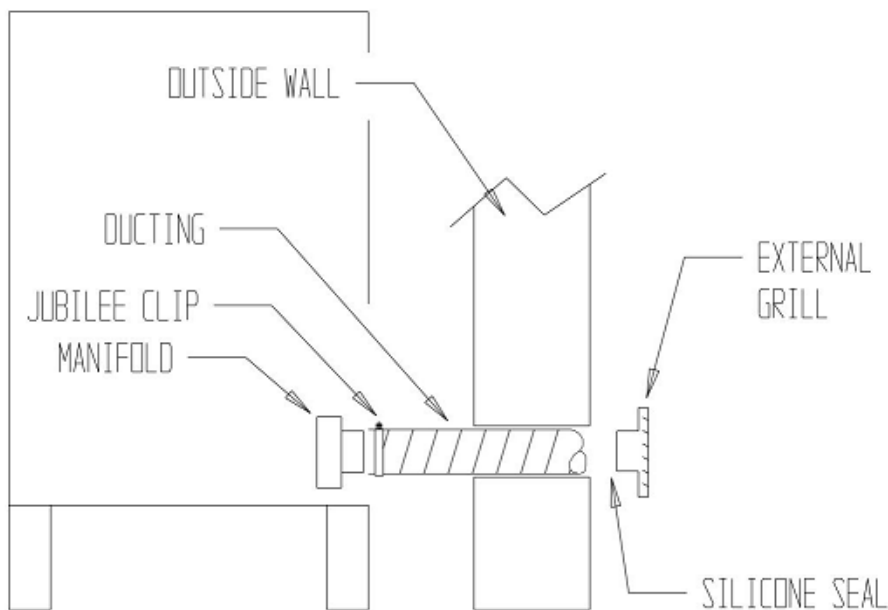
Contents

Introduction _____	1
Parts Required _____	1
Ducting Kit Installation. _____	2
Ducting Kit Contents _____	2
Commissioning _____	2
Safety. _____	3

INTRODUCTION

A ducted air supply creates a flow of external fresh air feeding into the appliance through a circular metal duct passing through an external wall, terminated with a suitable external grill.

FIG 1 Schematic of direct air kit layout.



PARTS REQUIRED

One stove manifold as per list below plus one common ducting kit. (V-OSAK)

STOVE MANIFOLD PART NUMBERS.

- 1-1 Aspen V0001897
- 1-2 Intrepid V0003258 new model Intrepid stoves have manifold pre fitted.
- 1-3 Encore V0003185 new model stoves do not have manifold pre fitted.
- 1-4 Defiant V0003180 new model stoves do not have manifold pre fitted.

DUCTING KIT

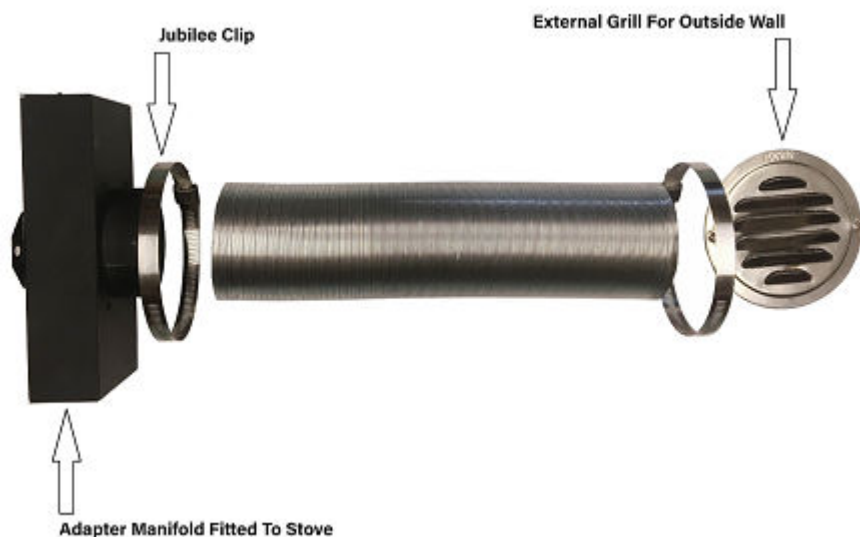
PART NUMBER V-OSAK

DUCTING KIT INSTALLATION.

The ducting is run in non-combustible, semi-rigid material, normally spirally wound aluminium, supplied in 30cm lengths, extendable up to 1 meter.

Bends fitted in the ducting should be kept to minimum and the finished length should be as short as possible.

Core drill 6mm clearance for 3" aluminium tube.



DUCTING KIT CONTENTS

Kits comprise of: -

1 x 3" or 76.2mm internal diameter (80mm OD) aluminium spirally wound tube supplied in a 30cm (12") length extendable up to 1.2 meters with across sectional area of app 4500mm sq.

2 x jubilee clips and an adaptor (if required) for attaching the ducting to the rear of the stove. (Note that new Intrepid stoves are supplied with a pre-fitted adaptor pt no V0003258.)

1 x External grill, pre-fitted with a vermin guard.

1 x Heat resistant silicone (310ml) which can be used to provide extra sealant as well as jubilee clips.

Where the ducting passes through the external wall a suitable grill must be fitted to prevent entry by rodents and must be positioned so that blockage by leaves or other debris will be avoided. Also ensure that rain water or flood water will not enter the duct.

After installation the stove must be lit and tested to ensure it is operating correctly.

DUCTING KIT PART NUMBER V-OSAK

COMMISSIONING

Before lighting, first check that there is an updraft in the chimney - open the direct draft damper, open one of the stove doors and hold a lit match at the top of the door opening.

If the flame is pulled into the stove this indicates that there is an updraft and the fire may be lit.

If the flame is pushed out from the stove, then this indicates that a downdraft is present, the flue will need to be warmed to produce an updraft and then checked using the same procedure with the lit match.

Lighting the fire.

Once the fire is ignited and burning it should generate its own chimney vacuum.

A spillage test must then be carried out to confirm safe operation.

With doors and windows closed and any extract fans in operation (i.e. worst conditions) Warm the appliance and flue before carrying out the test.

Light a smoke match from the middle of a bed of embers, hold the match approximately 20mm above the ember bed and ensure that the smoke is carried up the flue and emitted safely. Also check all joints and seals.

On successful completion of the spillage test please leave the operating instructions and tools with the customer and advise them on the use of the appliance. If the spillage test fails the cause must be found and rectified, or the appliance decommissioned and the customer instructed not to use it.

SAFETY.

When installing and using a stove, fitted with ducted combustion air supply, please follow these important safety points.

On appliances installed after 2020, Building Regs call for the following ventilation provision.

Zero if the appliance is less than 5kW

For appliances over 5kW an allowance of 55mm sq for every kW over 5kW is required.

Vermont appliances are nominally rated as follows: -

Intrepid 4.9kW

Encore 8.0kW equals an additional 165mm sq.

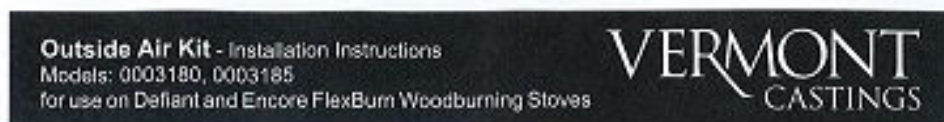
Defiant 9.5kW equals an additional 247.5mm sq.

Where ducting passes through the external wall a suitable external grill must be fitted to prevent entry by rodents and positioned so that blockages by leaves or other debris will be avoided. Ensure that rain water, flood water or snow fall will not enter or block the duct.

Installers must follow all current building regs under document J.

Fig 3 Encore and Defiant manifold instructions.

Defiant is 0003180 and Encore is 0003185



Please read these instructions before proceeding with the installation.

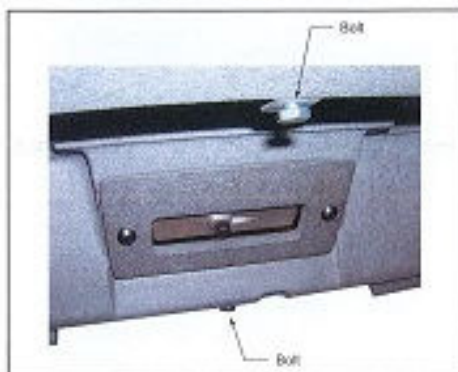
The Outside Air Adapter channels air for combustion directly from outside the home to the appliance. This can improve the comfort level of the home by reducing the uncontrolled infiltration of outside air and can improve performance in extremely tight homes by increasing the combustion air supply.

Materials Provided: Outside Air Adapter

Tools Required: 7/16" open end wrench, Phillips screwdriver

Installation Instructions

1. Remove the two (2) hex head bolts or one (1) hex bolt and (1) pan head Phillips screw from the bottom rear of the stove as indicated, Figure 1.



2. Position the outside air adapter onto stove and reinstall bolts.
3. If the stove is equipped with a bottom heat shield, remove perforated knockout for outside air pipe or hose connection to bottom of stove.

