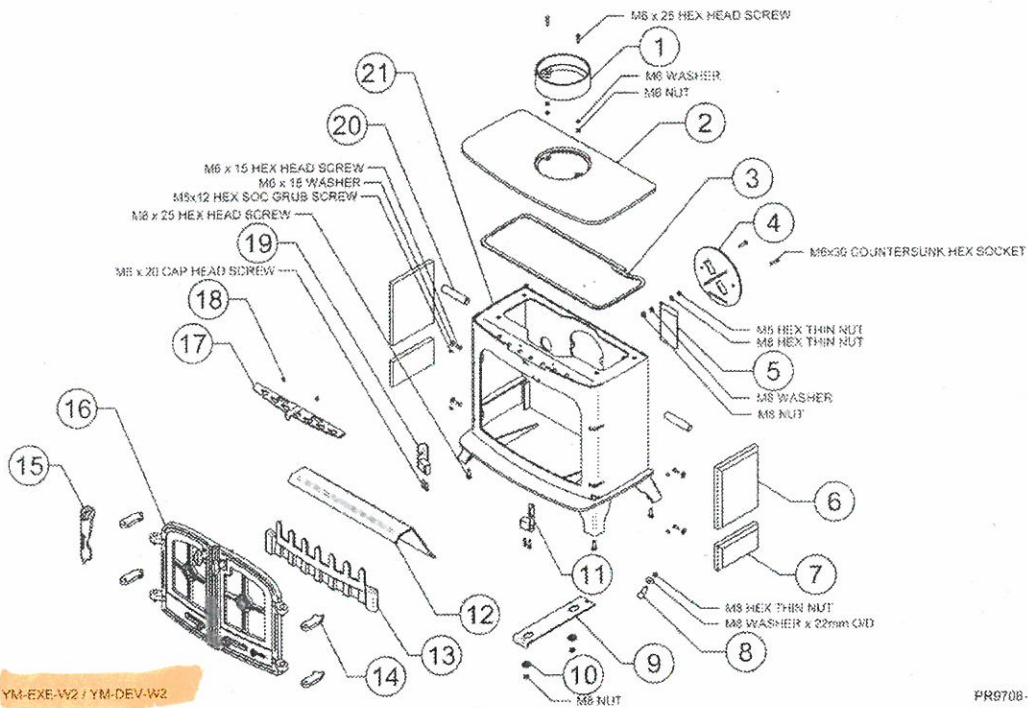


# Basic Spare Parts

## TYPICAL WOOD APPLIANCE



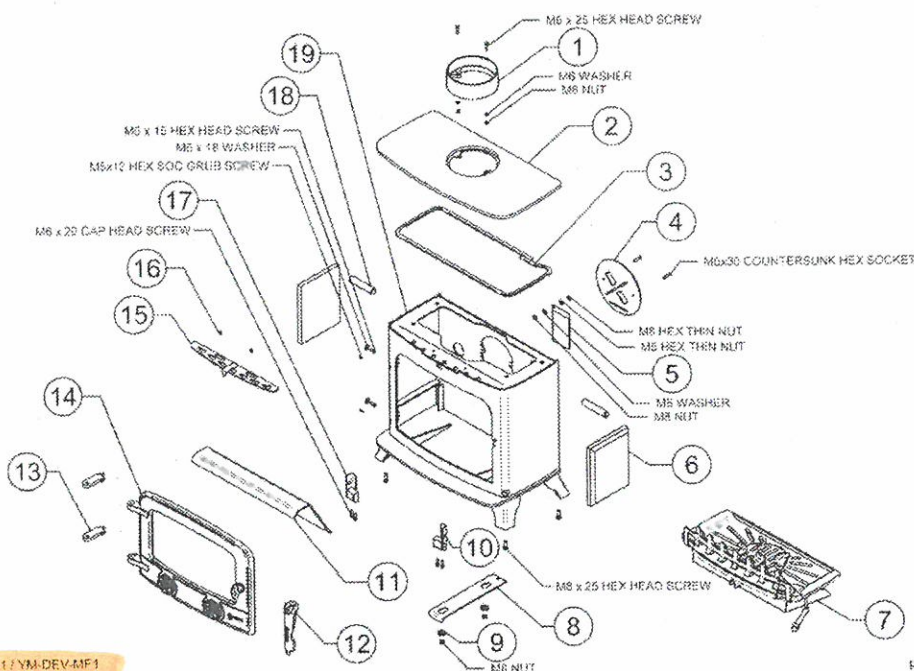
YM-EXE-W2 / YM-DEV-W2

PR970B-1

Ref No.	Description
1	FLUE COLLAR
2	TOP ASSEMBLY
3	CANOPY ROPE
4	BLANKING PLATE
5	DATA PLATE MOUNT
6	UPPER SIDE FIREBRICK
7	LOWER SIDE FIREBRICK
8	WOOD STOVE RIDDLING BLANK*
9	TERTIARY AIR CONTROL
10	TERTIARY AIR SPACER
11	RH LOG BAR BRACKET†
12	BAFFLE PLATE
13	WOOD ONLY LOG GUARD
14	HINGE - ADJUSTABLE†
15	MULTI-FUNCTION DOOR TOOL
16	DOOR ASSEMBLY
17	AIRWASH CONTROL ASSEMBLY
18	M6 AIRWASH SLIDER SCREW
19	LH LOG BAR BRACKET†
20	BAFFLE EXTENSION TUBE
21	CARCASS

\*N/A to County Models  
† N/A to Exmoor Models

## TYPICAL MULTI-FUEL APPLIANCE



YM-EXE-MF1 / YM-DEV-MF1

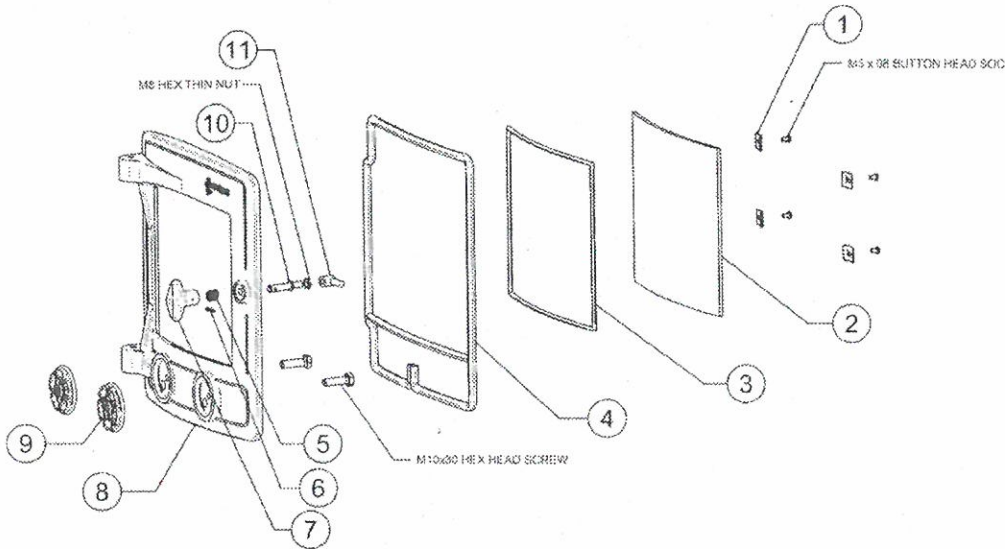
PR9710-1

Ref No.	Description
1	FLUE COLLAR
2	TOP ASSEMBLY
3	CANOPY ROPE
4	BLANKING PLATE
5	DATA PLATE MOUNT
6	UPPER SIDE FIREBRICK
7	RIDDLING KIT ASSEMBLY*
8	TERTIARY AIR CONTROL
9	TERTIARY AIR SPACER
10	RH LOG BAR BRACKET†
11	BAFFLE PLATE
12	MULTI-FUNCTION DOOR TOOL
13	HINGE - ADJUSTABLE†
14	DOOR ASSEMBLY
15	AIRWASH CONTROL ASSEMBLY
16	AIRWASH SLIDER SCREW
17	LH LOG BAR BRACKET†
18	BAFFLE EXTENSION TUBES
19	CARCASS

\*N/A to County Models  
† N/A to Exmoor Models

# Basic Spare Parts

## EXMOOR DOOR

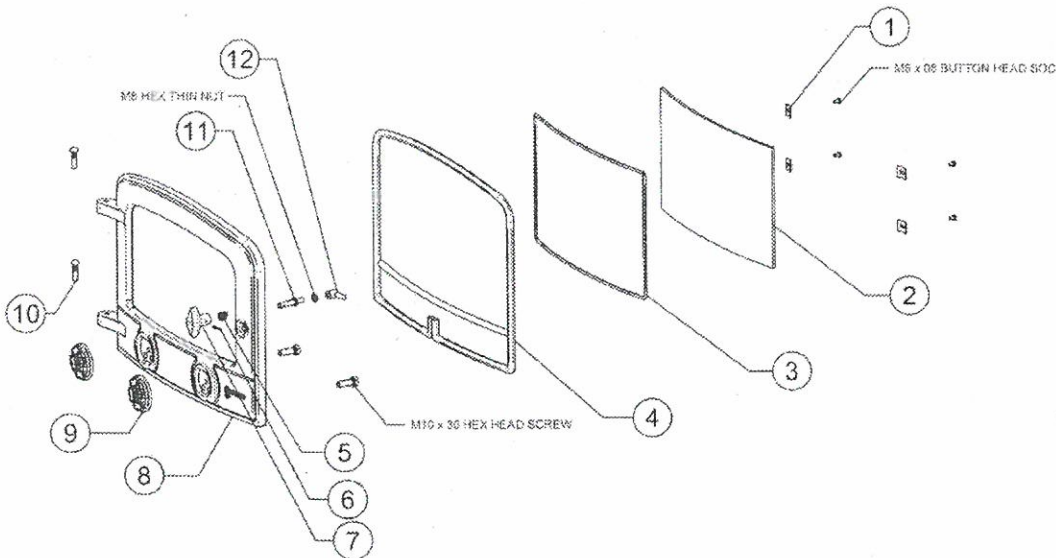


Ref No.	Description
1	STANDARD GLASS CLIP
2	DOOR GLASS
3	GLASS ROPE
4	DOOR ROPE
5	SPRING
6	SPIROL PIN
7	SINGLE DOOR KNOB
8	DOOR CASTING
9	PRIMARY AIR SPINNER
10	SINGLE DOOR SHAFT
11	DOOR SPINDLE CATCH BLOCK ASSEMBLY

YM-EXM-W1 / YM-EXM-WLC1 / YM-EXM-MF1 / YM-EXM-MFLC1

PR9718-1

## EXE, DEVON, COUNTY SINGLE DOOR



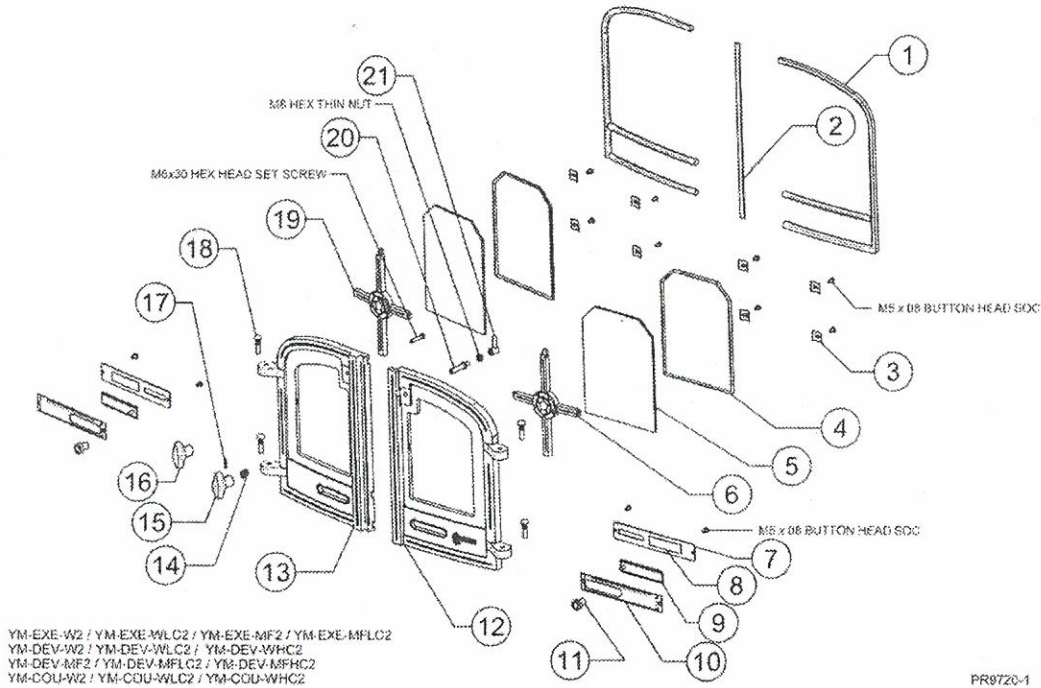
Ref No.	Description
1	STANDARD GLASS CLIP
2	SINGLE DOOR GLASS
3	GLASS ROPE
4	DOOR ROPE
5	SPRING
6	SPIROL PIN $\phi 3 \times 18$ LG
7	SINGLE DOOR KNOB
8	SINGLE DOOR CASTING
9	AIR SPINNER - YEOMAN DOORS
10	HINGE PIN - KNURLED
11	SINGLE DOOR SPINDLE SHAFT
12	DOOR SPINDLE CATCH BLOCK ASSEMBLY

YM-EXE-W1 / YM-EXE-WLC1 / YM-EXE-MF1 / YM-EXE-MFLC1  
 YM-DEV-W1 / YM-DEV-WLC1 / YM-DEV-VHFC1  
 YM-DEV-MF1 / YM-DEV-MFLC1 / YM-DEV-MFHC1  
 YM-COU-W1 / YM-COU-WLC1 / YM-COU-WHC1

PR9718-1

# Basic Spare Parts

## EXE, DEVON, COUNTY DOUBLE DOOR

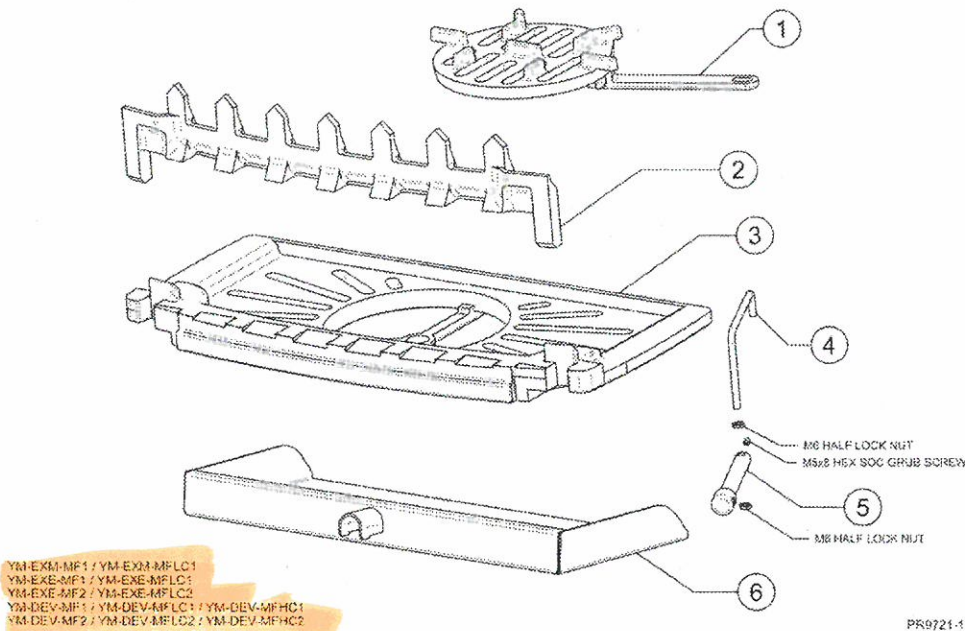


YM-EXE-W2 / YM-EXE-WLC2 / YM-EXE-MF2 / YM-EXE-MFLC2  
 YM-DEV-W2 / YM-DEV-WLC2 / YM-DEV-WHC2  
 YM-DEV-MF2 / YM-DEV-MFLC2 / YM-DEV-MFHC2  
 YM-COU-W2 / YM-COU-WLC2 / YM-COU-WHC2

PR8720-1

Ref No.	Description
1	DOOR ROPE
2	DOOR SEAL ROPE
3	STANDARD GLASS CLIP
4	GLASS ROPE
5	DOOR GLASS
6	RH DOOR CROSS
7	PRIMARY AIR SLIDER BACK PLATE ASSEMBLY
8	SEALING PAD
9	PRIMARY AIR SLIDER ASSEMBLY
10	PRIMARY AIR SLIDER INTERNAL PLATE ASSEMBLY
11	PRIMARY AIR SLIDER KNOB
12	RH DOOR CASTING
13	LH DOOR CASTING
14	SPRING
15	RH DOOR KNOB
16	LH DOOR KNOB
17	SPIROL PIN
18	HINGE PIN - KNURLED
19	LH DOOR CROSS
20	DOOR SPINDLE SHAFT
21	DOOR SPINDLE CATCH BLOCK ASSEMBLY

## EXMOOR, EXE, DEVON MULTI-FUEL KIT

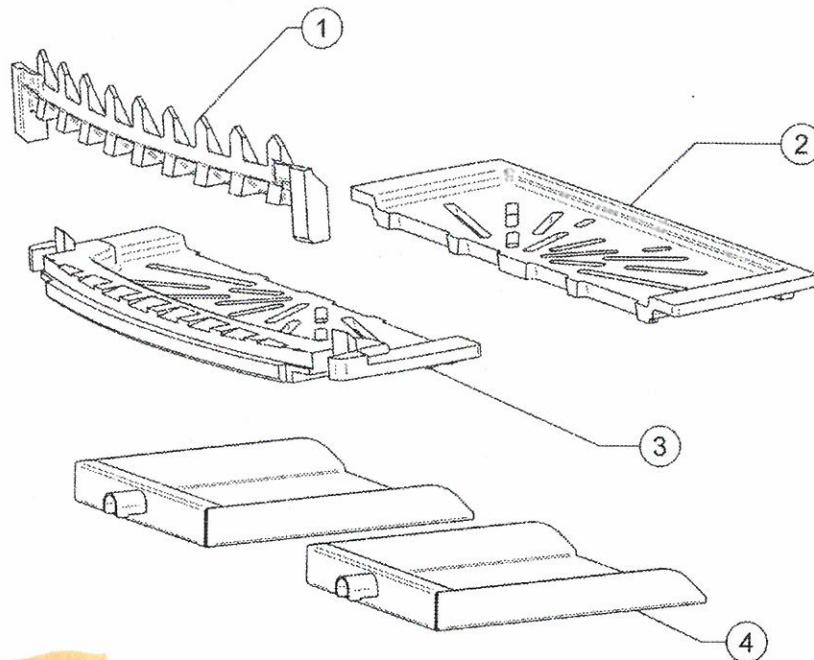


YM-EXM-MF1 / YM-EXM-MFLC1  
 YM-EXE-MF1 / YM-EXE-MFLC1  
 YM-EXE-MF2 / YM-EXE-MFLC2  
 YM-DEV-MF1 / YM-DEV-MFLC1 / YM-DEV-MFHC1  
 YM-DEV-MF2 / YM-DEV-MFLC2 / YM-DEV-MFHC2

PR9721-1

Ref No.	Description
1	CENTRE GRATE
2	LOG GUARD - MF
3	MAIN GRATE
4	RIDDLING ROD
5	RIDDLING BAR
6	ASHPAN ASSEMBLY

## COUNTY MULTI-FUEL KIT



Ref No.	Description
1	LOG GUARD - MF
2	MAIN GRATE STATIC - BACK
3	MAIN GRATE STATIC - FRONT
4	ASHPAN ASSEMBLY

YM-COU-MFKIT

PR9722-1