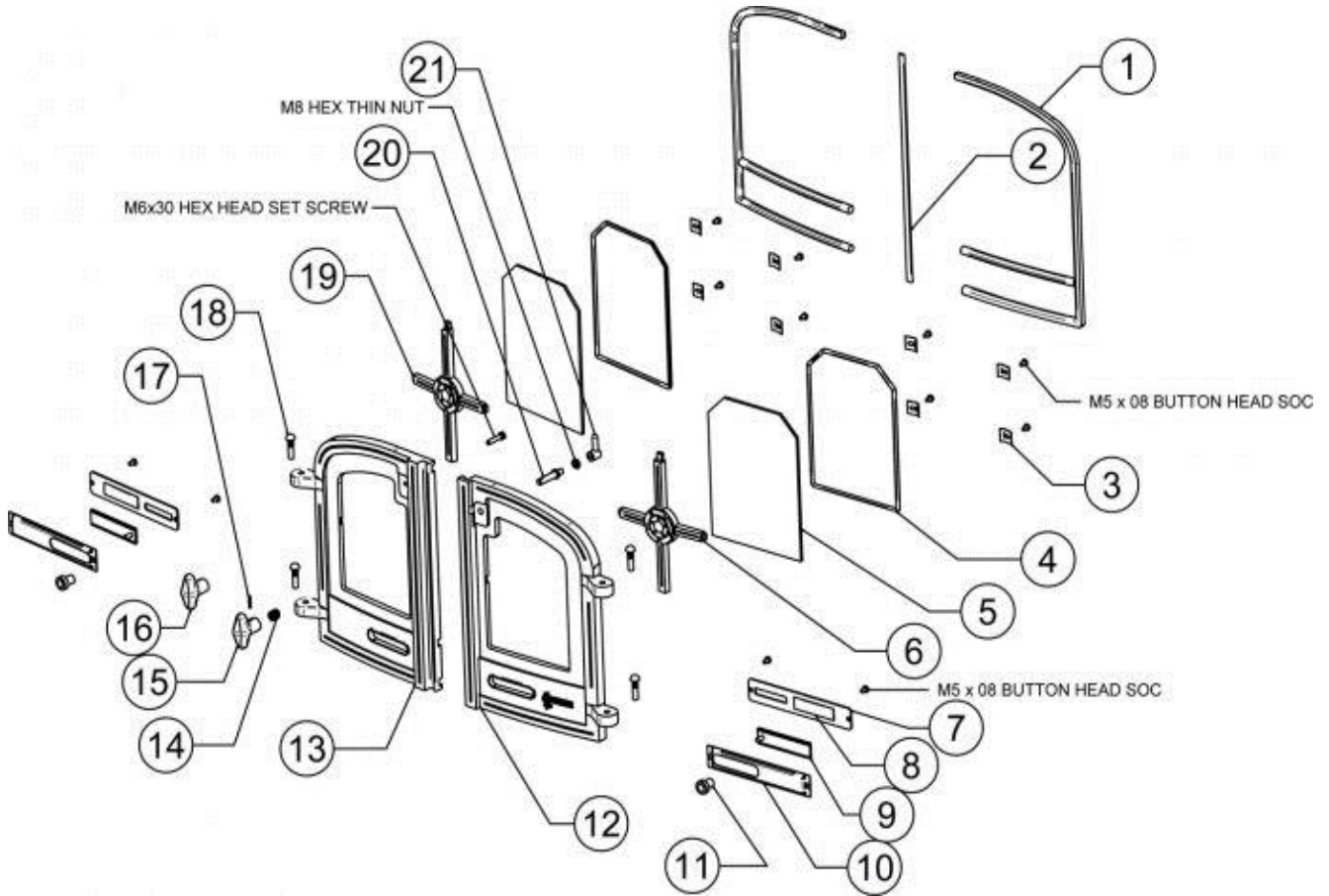


COUNTY DOUBLE DOORS FLAT TOP DOOR ASSEMBLY

HARWORTH HEATING LTD WWW.OILSTOVES.CO.UK



Ref.	Product Code	Description
1	5702	DOOR ROPE
2	4952	DOOR SEAL ROPE
3	YM-C00353	Standard Glass Clip
4	4950	GLASS ROPE
5	GL0253	TWIN DOOR GLASS
6	YM-YM05001	RH TWIN DOOR CROSS
7	MEC9870	PRIMARY AIR SLIDER BACK PLATE ASSY
8	CE8043	PRIMARY AIR SEALING SLEEVE
9	MEC9683	PRIMARY AIR SLIDER ASSY
10	RA503156	PRIMARY AIR SLIDER INTERNAL PLATE
11	ME601147	PRIMARY AIR SLIDER KNOB
12	CA7727	RH TWIN DOOR CASTING
13	CA7728	LH TWIN DOOR CASTING
14	FA9017	SPRING
15	CA7718	RH DOOR KNOB
16	YM-C00128	ALL GAS & LH MF DOOR KNOB
17	YM-F00004	Spirol Pin Ø3 x 20mm
18	ME601024	HINGE PIN - KNURLED
19	YM-YM05101	LH TWIN DOOR CROSS
20	ME600647	DOOR SPINDLE SHAFT (MK2)
21	MEC9020	DOOR SPINDLE CATCH BLOCK ASSY (MK2)