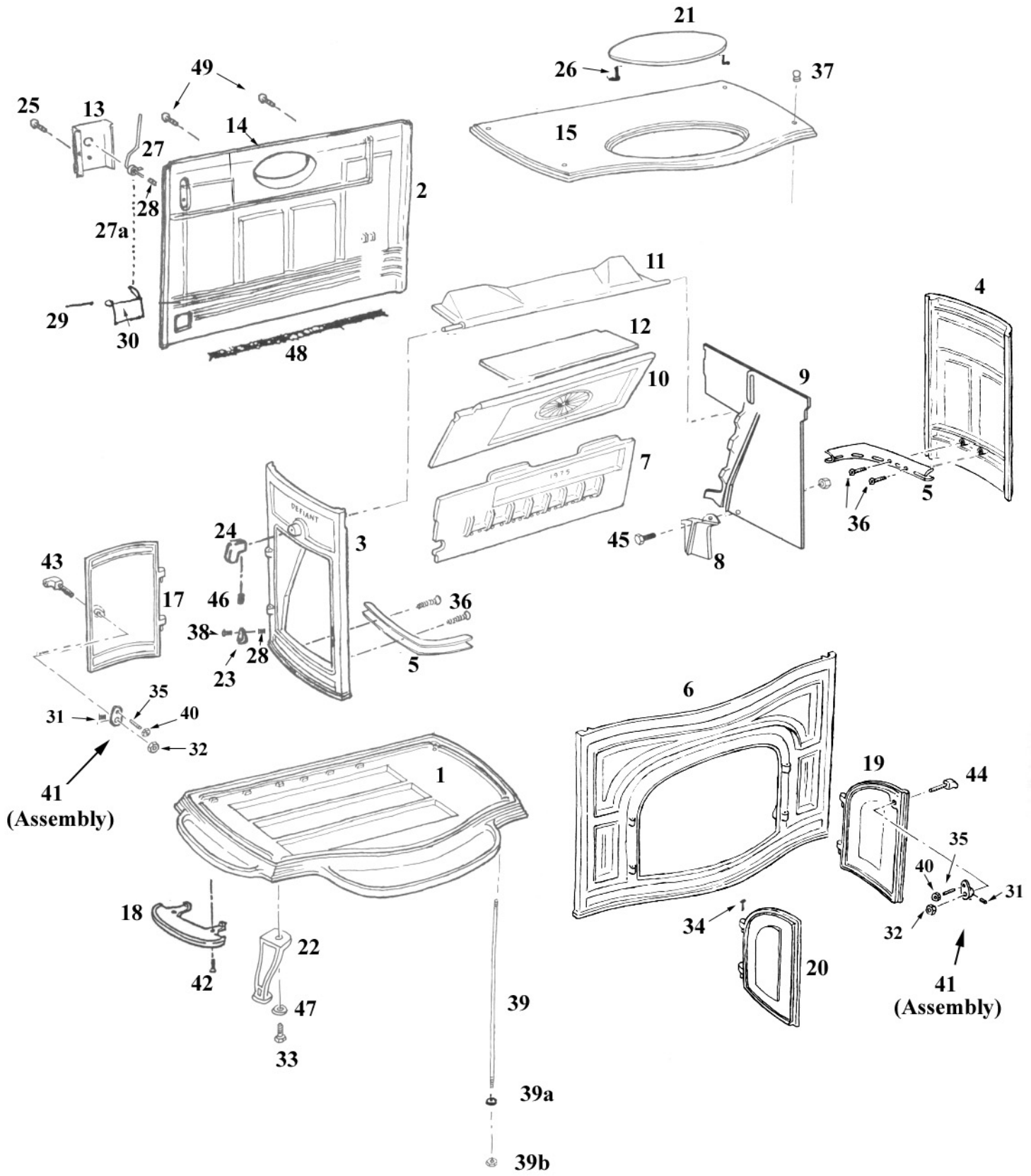


DEFIANT I, IA & IAI



DEFIANT I, IA & IAI

MODEL #: 0019 & 0028 DEFIANT I & IA

FEATURES: Manufactured 1975 through 6/80, Defiant I has a one piece fireback; Defiant 1A is a Defiant I converted to a two piece fireback, sides wrap around the front; Defiant IAI is a I or IA converted to a two piece fireback & two piece baffle, sides wrap around the front.

** denotes dead product - no substitute*

ITEM #	PART #	DESCRIPTION	ITEM #	PART #	DESCRIPTION
1	130-0072	Bottom No Ash Lip N/A - See Sub	26	000-5838	Set of Two Griddle Tabs (120-1857)
		Sub 130-3148 and drill alternate tie rod holes	27	500-5483	Thermostat Assembly
2	130-0021*	Back	27a	120-1960	Thermostat Ball Chain (per foot)
3	500-0199	Left End with Door	28	120-1846	Tension Spring for Thermostat
4	130-3024*	Right End	29	160-1555	Thermostat Flap Pin Only
5	130-3162	Primary & Secondary Air Tube	30	000-5800	Thermostat Flap w/ Eyelet
6	500-0200*	Front with Doors	31	120-0417	1/4-20 x 1/4" Socket Set Screw
7	130-3048	Lower Fireback D1A & D1A1	32	120-3290	3/8-16 Large Pawl Jam Nut
		Single Piece Fireback Not Available	33	120-1432	3/8-16 x 1" Hex Head Cap Screw
8	130-0115	Baffle Support D1A1		000-5807	Leg Bolt Set w/ Washers & Hdle Holder
9	130-0110	Baffle D1A1		120-1463	3/8-16 x 1 1/2" Special Long Leg Bolts
10	130-3040	Upper Fireback D1A & D1A1	34	160-0546	Door Pin
11	500-0323	Damper With Welded Pin	35	120-0436	Striker Bolt Only
12	130-0055*	Smoke Shelf	36	120-0889	1/4-20 x 1 1/2" Phillips Flat Head
13	160-1487	Thermostat Cover	37	160-0575	Finial Nut
14	130-3192*	Rear Exit Insert	38	120-1007	10-24 x 3/4" Phillips Trs Head
	130-3200*	Top Exit Insert	39	500-7497	Set of 4 Tie Rods (160-1617), Washers & Nuts
15	130-0088*	Rear Exit Top	39a	120-2461	Star Washer (included in 500-7497)
	130-0093*	Top Exit Top	39b	120-3226	1/4-20 Hex Head Nut (included in 500-7497)
17	130-3000	Side Load Door	40	120-3210	Striker Bolt Nut Only
18	130-3170	Side Ash Lip (later D1 models only)	41	500-4024	Pawl Assembly (no jam nut)
19	130-3008	Right Door	42	120-0865	1/4-20 x 5/8" Phillips Flat Head
20	130-3016	Left Door	43	500-4244	Side Door Handle Stub w/ Shaft
21	130-3154	Griddle	44	500-4237	Front Door Handle Stub w/ Shaft
22	130-3225	Leg (one only)	45	120-1338	1/4-20 x 1/2" Hex Head Cap Screw
	500-0360	Legs (set of 4)	46	120-0563	5/16-18 x 5/16 Socket Set Screw
23	130-0671	Secondary Air Control Cover	47	120-2488	Washer for Leg Bolts
24	500-4265	Damper Handle Stub w/ Set Screw	48	120-6382	Fireback Secondary Air Screen
25	120-1010	10-24 x 1 1/2" Truss Head Phillips	49	120-0998	10-24 x 1/2" Phillips Heat Shield Hole Screw

ITEMS NOT SHOWN

- 000-4342 Fallaway Handle Complete
- 160-0620 Ceramic Handle Only
- 120-1294 Handle Screw
- 160-0650 Handle Stub
- 120-1832 Handle Stub Roll Pin

ACCESSORIES

- 000-0124 Defiant Screen
- 000-0868 Set of 4 Short (3") Legs

REPAIR KITS

000-5832 DEFIANT 1A1 FIREBACK KIT (B)

- 000-5825 Box 2 - includes: upper fireback, lower fireback, tie rods, hardware, screen, cement & instructions
- 000-5830 Box 3 - includes: baffle, baffle support, air tube, hardware & paint instructions.

500-0199 LEFT END WITH DOOR

This part is needed only on stoves with the original one-piece fireback

GASKETS

- | | | | |
|----------|--|------|-----------------|
| 120-3588 | 5/16" Medium Density 6ND Gasket | 4.5' | Upper Fireback |
| | | 7' | Front Doors |
| | | 4' | Side Doors |
| 120-3668 | 5/16" Gasket Wire Fiberglass with Core | 4' | Top for Griddle |