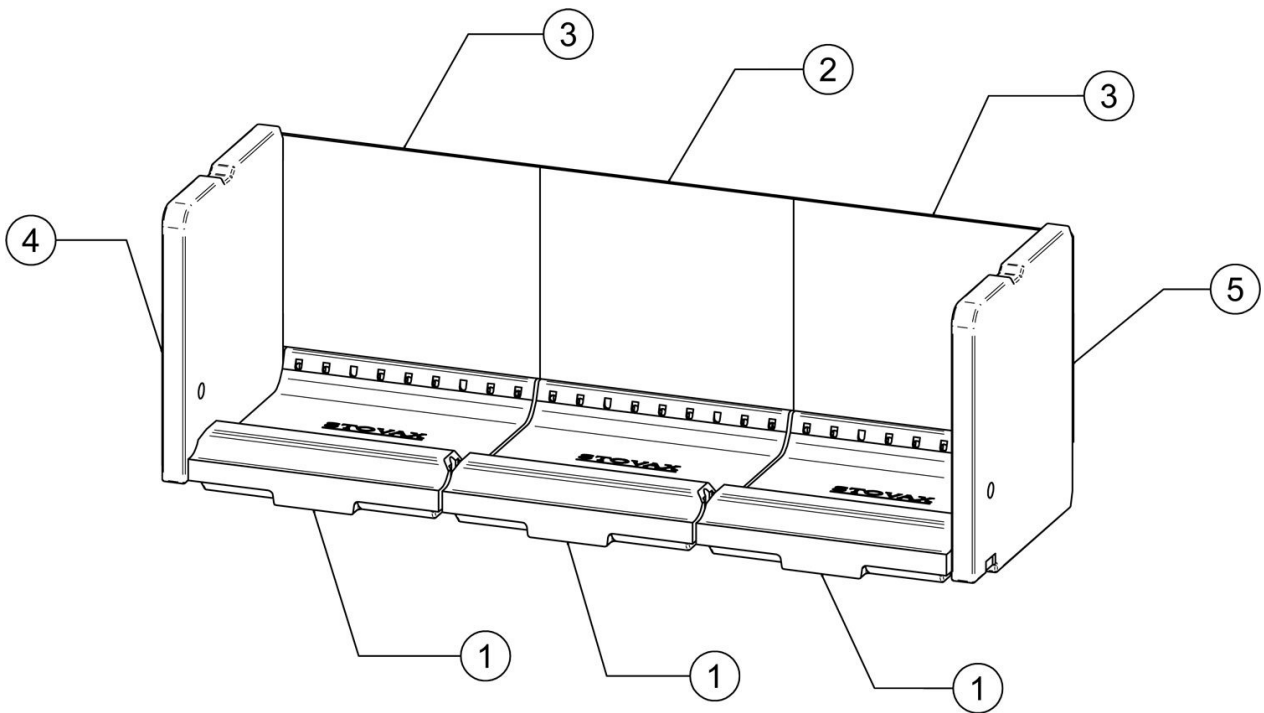







Studio 2 (MK1.5)



Ref.	Product Code	Description
1	<u>RVS-CE7613</u>	 Studio 2 Base Firebrick Dimensions: 310x274x60mm
2	<u>RVS-CE7615</u>	 Studio 2 Rear Centre Firebrick Dimensions: 300x238x25mm

Ref.	Product Code		Description
3	<u>RVS-CE7624</u>		Studio 2 Rear Side Firebrick Dimensions: 306x238x25mm
4	<u>RVS-CE8079</u>		Studio 2 Mk 1.5 Left Hand Side Firebrick Dimensions: 283x305x25mm
5	<u>RVS-CE8078</u>		Studio 2 Mk 1.5 Right Hand Side Firebrick Dimensions: 283x305x25mm

Drawing: PR10181

Do you have the correct appliance?

Before ordering your parts please ensure you have selected the correct appliance. To properly identify your appliance you will need to know your serial number and/or model number.

_____ . _____

MODEL NUMBERS:

RVST-2HT

DIMENSIONS:

950 x 440 x 350mm (w x h x d)
