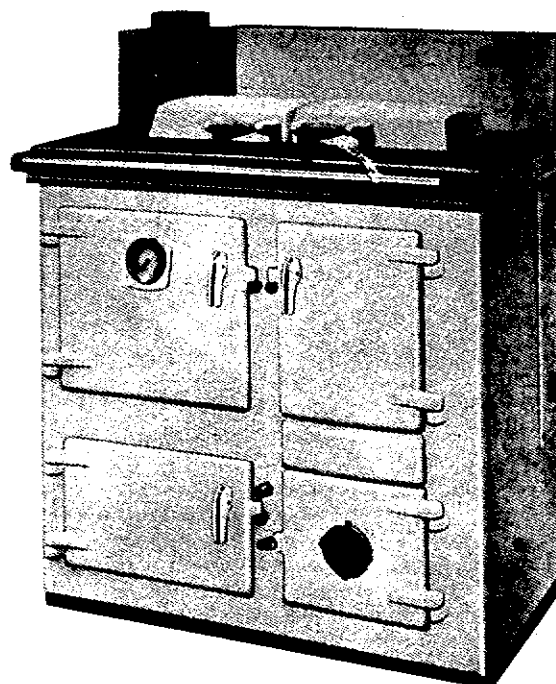


RAYBURN ROYAL

Freestanding



RAYBURN ROYAL (Continued)

Component Parts

L/Hand Oven Part No.	R/Hand Oven Part No.	Description
223B2	23B2	Hob for Twin Insulating Cover
286B	86B1	Splashplate
311B1	111B1	Platerack (Tubular)
176	176	Insulating Cover R.H. Half
177	177	Insulating Cover L.H. Half
123B1	123B1	M.S. Lagging Plate (2 per set)
154B1	154B1	Insulating Cover Hinge Pins (4 per set)
178	178	Insulating Cover Hinge Cover Plate (2 per set)
173B1	173B1	Platform Front Plate
179B	179B	Platform Frame Front or Back Plate (2 per set)
180B	180B	Platform Frame Side Plate R. or L.H. (2 per set)
181B	181B	Platform Frame Tie Piece (4 per set)

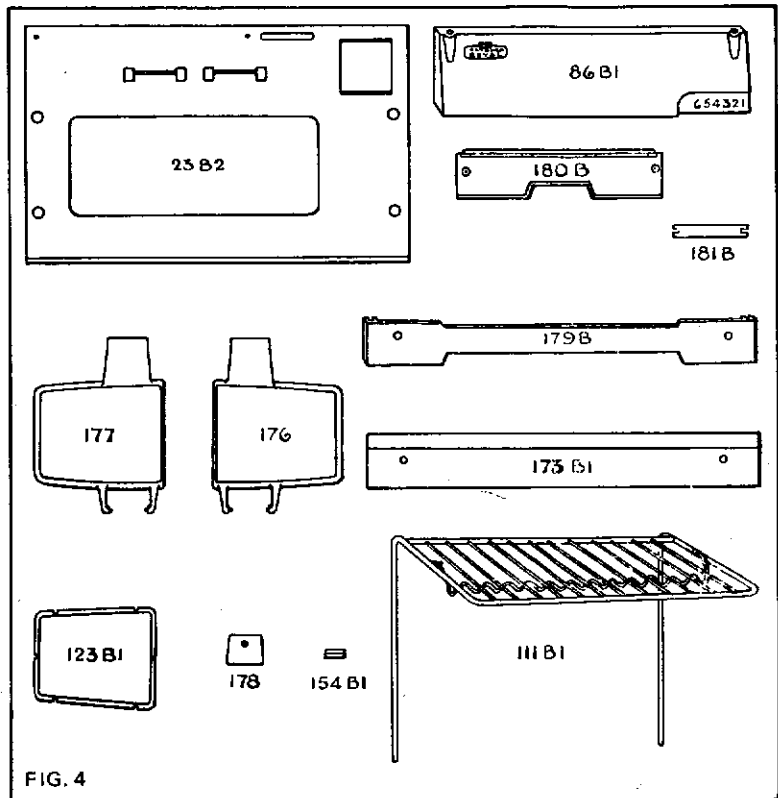


FIG. 4

Firebricks

Part No.	Description
3-47-3A	Bottom Front Brick
3-248-4A	Bottom Side Brick (next Oven)
3-249-9B	Top Front Brick
250-5A	Top Side Brick (next Oven)
3-251-2A	Bottom Side Brick (next Sham)
252-7A	Mid Side Brick (next Sham)
3-253-6B	Top Back Brick
3-254-8B	Top Side Brick (next Sham)

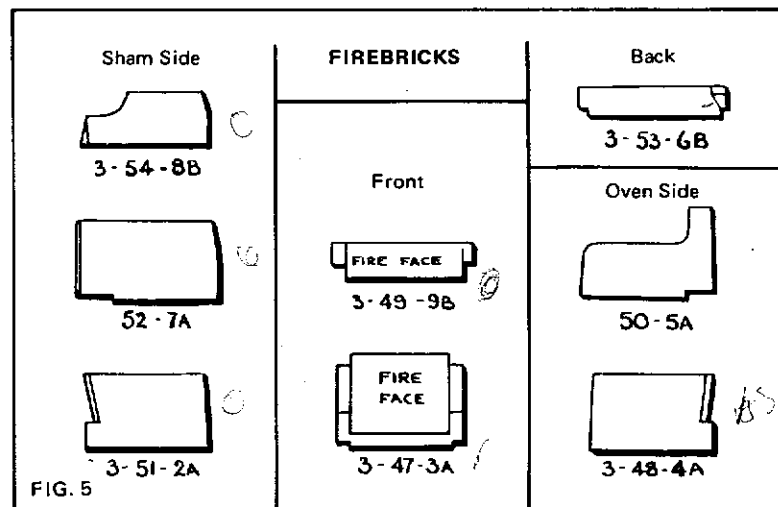


FIG. 5

Extras

Part No.	Description
104	Flue Collar for S.I. Register Plate
111B	Platerack for Horizontal Flue
112B	Platerack Bracket (2 per set)
170B	Platform Feet for Base (2 per set - L.H. Front and R.H. Back)
171B	Platform Feet for Base (2 per set - R.H. Front and L.H. Back)
172B	Platform Side Plate L.H. (Sheet Iron)
173B	Platform Front Plate (Cast-iron)
174B	Platform Side Plate R.H. (Sheet Iron)

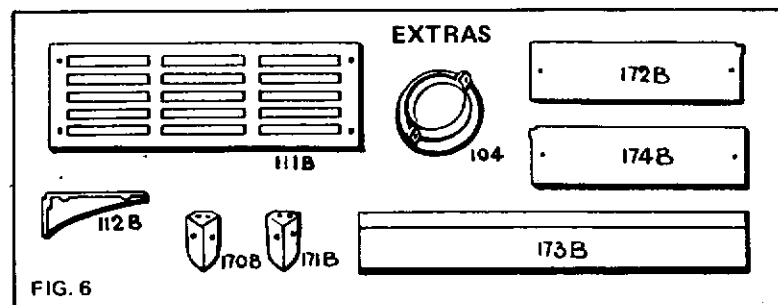
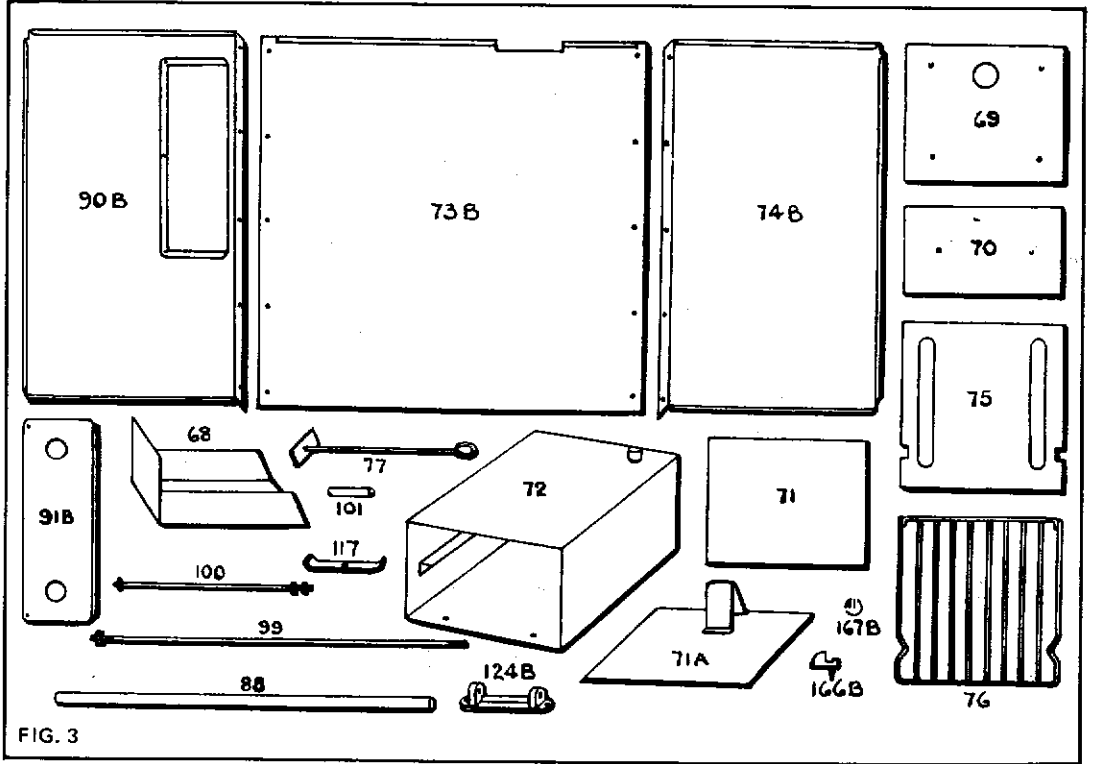
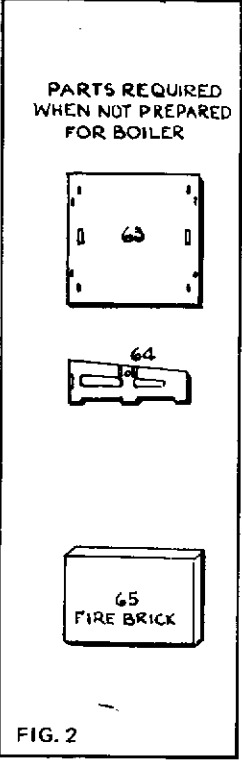
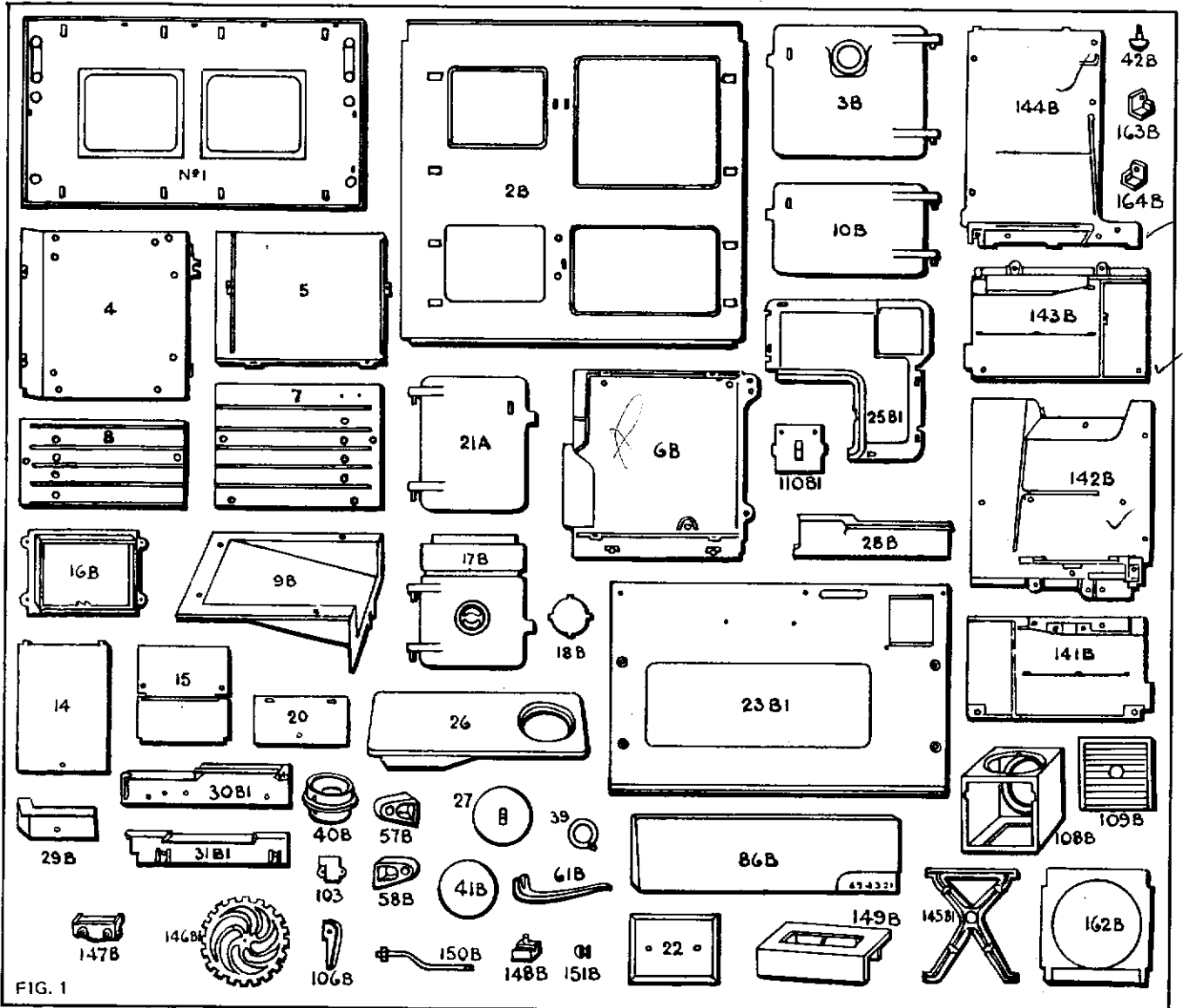


FIG. 6

Finish: White, Blue or Cream Vitreous Enamel.
Hob and Flue Chamber: Black Vitreous Enamel.

NOTE: When ordering replacements, please state if for Right or Left Hand Oven Model, Description and Number of part required. It would also assist if the manufacturing serial number of the Cooker could be given. This appears on Brass Badge inside Roasting Oven.

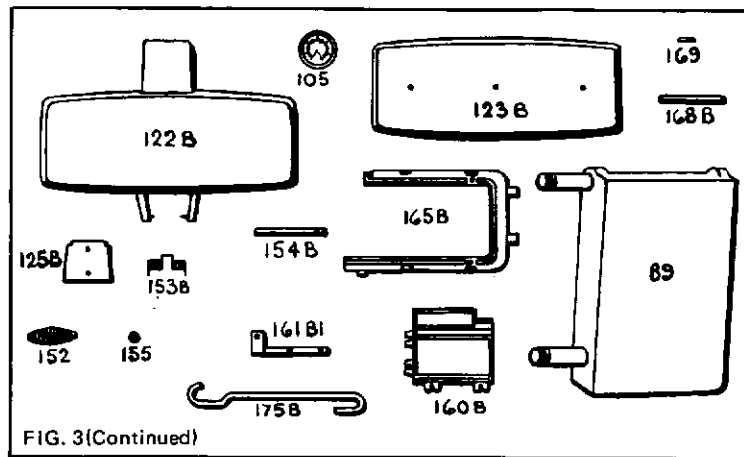
RAYBURN ROYAL (Right Hand Oven Model illustrated)



RAYBURN ROYAL (Continued)

Components Parts

L/Hand Oven Part No.	R/Hand Oven Part No.	Description
1	1	Base
202B	2B	Front
203B	3B	Oven Door
204	4	Oven Bottom
205	5	Oven Back
206B	6B	Oven Top
207	7	Oven Side (Fixed)
208	8	Oven Side (Removable)
9B	9B	Oven Reflector Duct
210B	10B	Warming Oven Door
14	14	Ashpit Bottom
15	15	Ashpit Back
16B	16B	Ashpit Door Frame
217B	17B	Ashpit Door
18B	18B	Spin Wheel for Ashpit Door
20	20	Plate under Bottomgrate Support
221A	21A	Fire Door
22	22	Fire Door Protection Plate
223B1	23B1	Hob
225B1	25B1	Hob Protecting Plate
26	26	Hob Plate (with Pick-ups)
27	27	Hot Plate Cup
228B	28B	Oven Top Flue Guide (Side)
229B	29B	Oven Top Flue Guide (next Fire)
230B1	30B1	Oven Top Flue Guide (Front)
231B1	31B1	Oven Top Flue Guide (next Outlet)
39	39	Collar for Flow and Return pipes (2 per set)
40B	40B	Flue Chamber Nozzle
41B	41B	Flue Chamber Blanking Disc
42B	42B	Ashpit Door Catch
57B	57B	Handrail Bracket L.H.Side
58B	58B	Handrail Bracket R.H.Side
61B	61B	Operating Tool
286B	86B	Splashplate
303	103	Steam Escape to Oven
106B	106B	Ovens and Fire Door "Lift Up" Handles
108B	108B	Flue Chamber
109B	109B	Flue Chamber Door
110B1	110B1	Flue Chamber Damper
341B	141B	Oven Cheek (Bottom Section)
342B	142B	Oven Cheek (Top Section)
343B	143B	Sham Cheek (Bottom Section)
344B	144B	Sham Cheek Top Section (Side Conns.)
145B1	145B1	Bottomgrate Frame
146B1	146B1	Bottomgrate
347B	147B	Slide for Riddling Arm
348B	148B	Riddling Arm
149B	149B	Support for Boiler
150B	150B	Riddling Rod W.I.
151B	151B	Riddling Rod Handle
362B	162B	Ashpit Top Plate
163B	163B	Bottomgrate Carrier Bracket R.H. Side
164B	164B	Bottomgrate Carrier Bracket L.H. Side



L/Hand Oven Part No.	R/Hand Oven Part No.	Description
63	63	Back Plate (when no Boiler)
64	64	Back Plate Bracket (when no Boiler - 2 per set)
65	65	Back Bricks (when no Boiler - 2 per set)
FIG. 2		
68	68	Ashpan (S. Iron)
69	69	Oven Door Lining
70	70	Warming Oven Door Lining
71	71	Filling-in Piece for Base
71A	71A	Filling-in Piece with Bridge
72	72	Warming Oven
73B	73B	Back Casing
74B	74B	End Casing (Oven Side) also for Sham Side (when no Boiler)
75	75	Oven Shelf S.I.
76	76	Oven Grid Shelf (Mild Steel - 2 per set)
77	77	Raker W. Iron
88	88	Handrail
289	89	H.P.Boiler 15 in. deep (Side Conns.)
290B	90B	End Casing Sham Side (Side Conns.)
291B	91B	End Casing Cover Plate Sham Side (Side Conns.)
99	99	Corner Stay Rods and Nuts (4 per set)
100	100	Oven Stay Rod
101	101	Vent Pipe for Warming Oven
105	105	Thermometer for Oven (Bi-metal. Round)
117	117	Mild Steel Blanking Disc Strap
122B	122B	Hinged Insulating Hotplate Cover
123B	123B	Lagging Plate for above
124B	124B	Hinge Bracket for Hinged Cover
125B	125B	Blanking Plate for Insulating Cover Arm
152	152	Spring Handle for Hinged Cover
153B	153B	Hinge Spring for Hinged Cover
154B	154B	Hinge Pin for Hinged Cover
155	155	Dome Washer for Spring Handle for above
360B	160B	Flue Damper Support
361B1	161B1	Flue Damper Plate Link
365B	165B	Hot Plate Support
166B	166B	Damper Handle
167B	167B	A.I. Monogram
168B	168B	Aluminium Strip for Door Handle
169	169	Fixing Pin for Door Handle
175B	175B	Tool for removing Bottomgrate and Frame