

RAYBURN REGENT COOKER - BOILER MODEL

RAYBURN REGENT COOKER BOILER MODEL

Subbie Number	Cat. No.	Description	Product Code
4	R1964	HOB COMPLETE WITH INSULATING COVERS L.H.O.	RS9E334ACOM
4	R1962	HOB COMPLETE R.H.O.	RS9E314ACOM
4	R1792	HOB PREPARED FOR INSULATING COVERS - L.H.O.	RS5E334A
4	R1791	HOB PREPARED FOR INSULATING COVER - R.H.O.	RS5E314A
7	R1053	HINGES PIN FOR SINGLE INSULATING COVER	KCTR37860
8	R1759	HINGED SPRING FOR INSULATING COVER - OLD TYPE	RS4M43735
9	R1781	HINGE BRACKET FOR HINGED COVER	RS5E124B
10	R1965	HINGED INSULATING COVER C/W FIXING BRKTS & SCREWS	RS9E346COMP
10	R1793	INSULATING COVER ONLY	RS5E346
11	R1076	DOME WASHER FOR COIL HANDLE	KWSR27740
12	R2176	COIL HANDLE (CHROME PLATED)	RC4M310136
13	R1032	THERMOSEAL ROPE FOR INS COVER	JPLP30850
14	R1883	LAGGING PLATE FOR INS COVER	RS5M347
15	R1796	FLUE CHAMBER BLANKING DISC	RS5E41B
15	R1969	STEEL FLUE CHAMBER BLANKING DISC C/W BRKT & NUT	RS9E38766COMP
16	R1612	FLUE CHAMBER SPIGOT	RS2E42676
17	R1988	FLUE CHAMBER COMPLETE -SHEET METAL- L.H.O.	RS9E91155COMRR
17	R1986	FLUE CHAMBER COMPLETE -SHEET METAL- R.H.O.	RS9E91115COMRR
19	R1762	M.S. BLANKING DISC STRAP	RS4M44343
22	R1778	FLUE CHAMBER DOOR	RS5E109B-REG
22	R1785	FLUE CHAMBER DOOR	RS5E3-13344
27	R1595	HOTPLATE WITH PICKUPS	RS1M28-30
28	R1861	HOTPLATE CUP	RS5M30
29	R1814	BLANKING PLATE FOR INS. COVER ARM	RS5M125B
30	R1788	FLUE CHAMBER DAMPER BLADE	RS5E3-16874

RAYBURN REGENT COOKER BOILER MODEL

Bubble Number	Cat. No.	Description	Product Code
30	R1780	FLUE CHAMBER DAMPER OLD PATT	RS5E110D
31	R1799	HANDRAIL BRKT RH	RS5E58B
31	R1973	1 PAIR HANDRAIL BRACKETS LH & RH	RS9E57-58B
32	R1726	CHROME PLATED HANDRAIL	RS4M31746
33	R1798	HANDRAIL BRKT LH	RS5E57B
38	R1050	CHROME PLATED SCREW FOR HOB	KCSK49752
38	R2115	SET OF 4 NUTS FOR CORNER STAY ROD	RS9M53090SET4
43	R1887	OVEN CHEEK R.H.O.	RS5M355
43	R1877	HOB PROTECTION PLATE L.H.O.	RS5M335A
45	R1630	BACKPLATE	RS2V90000
47	R1620	SIDE PLATE COVER PLATE R.H.O.	RS2V27583
47	R1621	SIDE PLATE COVER PLATE L.H.O.	RS2V27584
48	R2070	PAIR COLLARS FOR BOILER CONNECTIONS	RS9M39PR
50	R1625	SIDE PLATE SHAM SIDE CONNS FOR LHO & RHO COOKER	RS2V41818
53	R1862	SHAM CHEEK R.H.O.	RS5M301
53	R1871	SHAM CHEEK L.H.O.	RS5M324
57	R1720	MUDLID GASKET RYL.OF7.G7.SF20.20.70BMK2.REG.NO1	RS4M30410
58	R2036	MUDLID C/W GASKET	R89M-MC2COMP
58	R1774	MUDLID ONLY	RS5EMC2
61	R1584	V.E.LINED BLR SIDE TAPPS NO CONNS	RS1E8526
62	R1872	ASHPIT BACK L.H.O.	RS5M326
62	R1863	ASHPIT BACK R.H.O.	RS5M303
63	R1771	BOTTOMGRATE	RS5B146B1
64	R1867	ASHPIT TOP PLATE	RS5M307-327
65	R1864	BOTTOMGRATE FRAME	RS5M304

Issue date: 4/10/96
 Issue number: .00

RAYBURN REGENT COOKER BOILER MODEL

PAGE 2.

RAYBURN REGENT COOKER BOILER MODEL

Bubble Number	Cat. No.	Description	Product Code
66	R2063	RIDDLING ARM- STRAIGHT ROD	RS9M354COMP
66	R1865	RIDDLING ARM-CRANKED ROD	RS5M305
67	R1753	RIDDLING ROD -CRANKED -3/8"	RS4M41123
67	R1751	RIDDLING ROD -STRAIGHT - 3/8"	RS4M41115
67	R2078	RIDDLING ROD ASSY COMP-CRANKED	RS9M41123COMP
67	R2076	RIDDLING ROD ASSY COMP.-STRAIGHT	RS9M41115COMP
68	R1729	RIDDLING ROD HANDLE CHROME PLATED	RS4M34020
69	R1885	RIDDLING ARM SLIDE R.H.O.	RS5M352
69	R1886	RIDDLING ARM SLIDE L.H.O.	RS5M353
69	R1866	RIDDLING ARM SLIDE-CRANKED-R.H.O.	RS5M306
69	R1882	RIDDLING ARM SLIDE-CRANKED-L.H.O.	RS5M345
70	R1597	ASHPAN SHEET IRON	RS1M90380
71	R2214	ASHPIT DOOR FRAME	RS5M7
72	R1870	ASHPIT BOTTOM	RS5M32
74	R1887	OVEN CHEEK R.H.O.	RS5M355
74	R1888	OVEN CHEEK L.H.O.	RS5M356
75	R1022	10 X 10 BARLAN PAD	JPAD35398
76	R1029	BARLAN PAD ONLY FOR FIREDOOR PROTECTION PLATE	JPAD37341
76	R2067	BARLAN PAD & BOLT ONLY FOR F/DOOR PROT PLATE	RS9M37341COMP
78	R1715	FIRE/OVEN DOOR CATCH CHROME PLATED	RS4M25970
79	R1876	OVEN TOP FLUE GUIDE BACK L.H.O.	RS5M333
80	R2215	OVEN TOP FLUE GUIDE - RH SIDE	RS5M311
81	R1875	OVEN TOP FLUE GUIDE FRONT L.H.O.	RS5M332
82	R1890	OVEN TOP PLATE L.H.O.	RS5M358
82	R1889	OVEN TOP PLATE R.H.O.	RS5M357

Issue date: 4/10/96
 Issue number: .00

RAYBURN REGENT COOKER BOILER MODEL

PAGE 3

RAYBURN REGENT COOKER BOILER MODEL

Bubble Number	Cat. No.	Description	Product Code
91	R1624	SHEET IRON OVEN SHELF	RS2V41592
92	R1758	GRID OVEN SHELF	RS4M41620
93	R1632	SIDE PLATE - PLAIN - FOR LH & RH COOKER	RS2V90335
94	R2054	ASHPIT DOOR CATCH C/W SCREW	RS9M26008COMP
96	R2255	5/16"X 1/4"HX HD CP BOLT FOR ASHPIT DOOR CATCH	KHEX53636
97	R1963	FRONT C/W DOORS L.H.O.	RS9E323COMP
97	R1961	FRONT C/W DOORS R.H.O.	RS9E300COMP
99	R2119	SET OF 4 NYLON DOOR WASHERS	RS9M53500SET4
100	R2073	FIREDOOR PROT PLATE C/W PACKING & BOLT	RS9M4COMP
101	R1939	FIREDOOR COMP.L.H.O.	RS9E172COMP
101	R1935	FIREDOOR COMP.RHO	RS9E145COMP
103	R1968	ASHPIT DOOR COMP.L.H.O.	RS9E349COMP
103	R1966	ASHPIT DOOR COMP.R.H.O.	RS9E348COMP
105	R1074	SPINWHEEL ALTHREAD	KSTD52107
106	R2084	SPIN WHEEL C.P.C/W FIXINGS	RS9M43460COMP
108	R1539	SET OF 3 DOOR HANDLES	RO9M31530SET3
109	R1954	OVEN DOOR COMP L.H.O.	RS9E229COMP
109	R1953	OVEN DOOR COMP.R.H.O.	RS9E225COMP
110	R2432	OVEN THERMODIAL BI-METAL ROUND	RS4T301075
111	R1147	GASKET THERMODIAL PERM AF 2000	RG4M30412
112	R1738	OVEN DOOR LINING	RS4M35020
115	R1744	RIDDLING ARM PIN - STRAIGHT OR CRANKED	RS4M37872
116	R2229	TOP BACK BRICK L.H.O.	RS4F999071
116	R2222	TOP BACK BRICK R.H.O. (RS4F320)	RS4F300022
117	R2226	BRICK FOR LHO & RHO (RS4F317-337)	RS4F300026

RAYBURN REGENT COOKER BOILER MODEL

Issue date: 4/10/96
 Issue number: 00

PAGE 4

Bubble Number	Cat. No.	Description	Product Code
118	R2231	TOP FRONT BRICK L.H.O. (RS4F342)	RS4F999073
118	R2224	TOP FRONT BRICK R.H.O. (RS4F322)	RS4F300024
119	R2228	OVEN BOTTOM SIDE BRICK L.H.O. (RS4F339)	RS4F999070
119	R2221	OVEN BOTTOM SIDE BRICK R.H.O. (RS4F319)	RS4F300021
120	R2232	OVEN TOP SIDE BRICK L.H.O. (RS4F96)	RS4F999074
120	R2225	OVEN TOP SIDE BRICK R.H.O. (RS4F50)	RS4F300025
121	R2227	SHAM BOTTOM SIDE BRICK L.H.O.	RS4F999069
121	R2220	SHAM BOTTOM SIDE BRICK R.H.O. (RS4F318)	RS4F300020
122	R1669	SHAM MIDDLE SIDE BRICK R.H.O. (RS4F51)	RS4F300013
122	R2233	SHAM MIDDLE SIDE BRICK L.H.O. (RS4F97)	RS4F999075
123	R2230	SHAM TOP SIDE BRICK L.H.O.	RS4F999072
123	R2223	SHAM TOP SIDE BRICK R.H.O. (RS4F321)	RS4F300023
124	R1900	OPERATING TOOL AGA SF 12,20,30,50,55 BLR	RS5M61B
125	R1623	WROUGHT IRON RAKER	RS2V40573
126	R2480	GRATE REMOVAL TOOL RAY RYL & REG	SS4M47430
127	R1584	V.E.LINED BLR SIDE TAPPS NO CONNS	RS1E8526
127	R1981	V.E.LINED BOILER-SIDE TAPPS-C/W CONNS	RS9E8526
128	R1899	CATCH TO SECURE TOP FRONT BRICK	RS5M55
129	R2127	PR 1"COPPER SIDE CONNECTIONS RAY REG.	RS9M91500PR-ST
129	R1617	1"COPPER SIDE CONNECTION RAY REG.	RS2M91500
999	R2005	SET OF 3 BOTTOM BRICKS R.H.O.	RS9F3BKS-REG-RH
999	R2009	SET OF 5 BOTTOM BRICKS L.H.O.	RS9F5BKS-REG-LH
999	R2010	SET OF 5 BOTTOM BRICKS R.H.O.	RS9F5BKS-REG-RH
999	R2022	SET OF 8 BRICKS L.H.O.	RS9F8BKS-REG-LH
999	R2023	SET OF 8 BRICKS R.H.O.	RS9F8BKS-REG-RH

Issue date: 4/10/96
Issue number: .00

RAYBURN REGENT COOKER BOILER MODEL

PAGE 5.

RAYBURN REGENT, Cooker

Patent Nos 505458 & 666809

With External Riddling Bottomgrate

Brick Replacement Instructions

Left Hand Oven Model. With Boiler

Instructions for replacement of a complete set of Fire Bricks:

Lift off the Hotplate, no unscrewing being necessary. Remove the Bottomgrate and frame. Slide the catch which secures No. 342 Front Top Brick and remove Bricks in order of numbering down to No. 337.

To assemble replacements into Cooker, the order is reversed, starting with No. 337, until No. 342 is in position. Make secure by moving metal catch back again. Replace the Bottomgrate and frame.

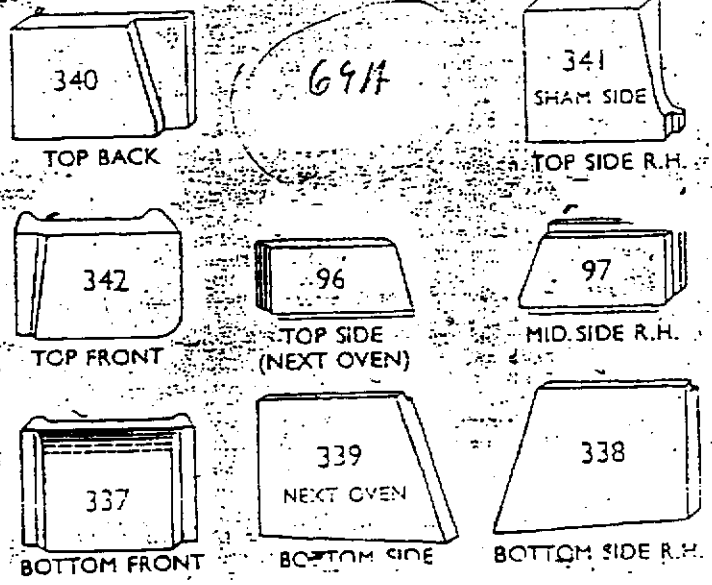
Make good all joints with Fire Cement.

When replacing the Hotplate, see that the Asbestos Sealing Rope is in its original position.

Instructions for replacement of bottom Fire Bricks only:

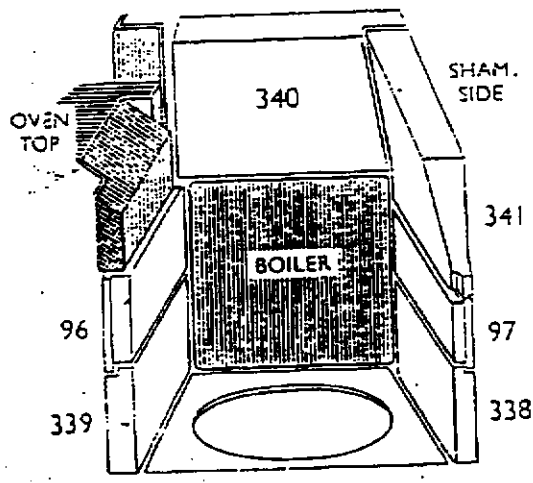
Lift off the Hotplate. Remove the Bottomgrate and frame. Clear cement away from joints between bricks to be replaced and those adjoining, including boiler.

Take hold of rear of No. 338 brick and with one hand pressing against brick immediately abut lever the bottom brick towards centre of firebox until it clears the front brick, then lift through opening in hob. Remove No. 339 brick opposite in the same manner. No. 337 front brick can now be taken out. Replace in the reverse order, starting with front brick. See that the asbestos pad is placed between this brick and front of Cooker. All joints to be lined with a liberal supply of prepared fire cement, making sure that each brick is pressed into position. Finally, clean off any surplus cement with a damp cloth and return the Hotplate to its seating on the hob. Replacement of bottom Fire Bricks can be effected without disturbing the other bricks.

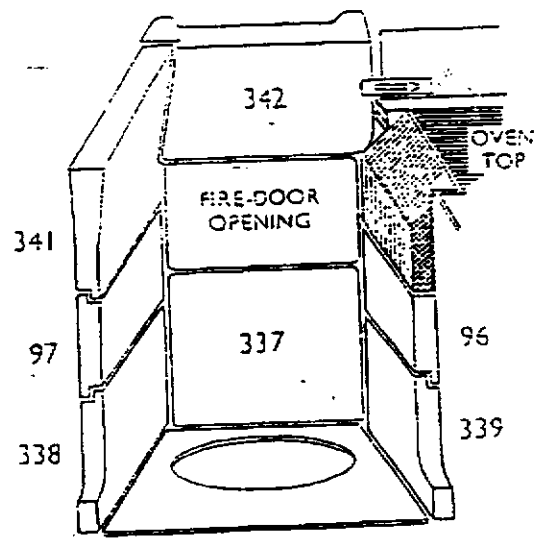


COMPONENT BRICKS

IMPORTANT NOTE :—The manufacturing number of the cooker should be quoted when ordering replacement firebricks. This number will be found on the brass badge inside the roasting oven.



LOOKING FROM FRONT



LOOKING FROM BACK

The Rayburn Regent is a product of **ALLIED IRONFOUNDERS LTD.**
 Domestic Appliance Division
 Cadbury Rd., Sunbury-on-Thames, Middx. Tel: Sunbury 5577
 Showrooms: 28 Brook Street, London W.1.



PAGE 6