

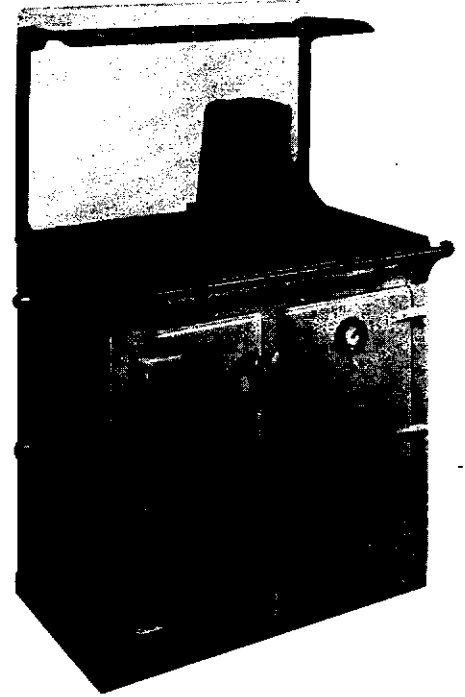
# RAYBURN No. 1

Freestanding

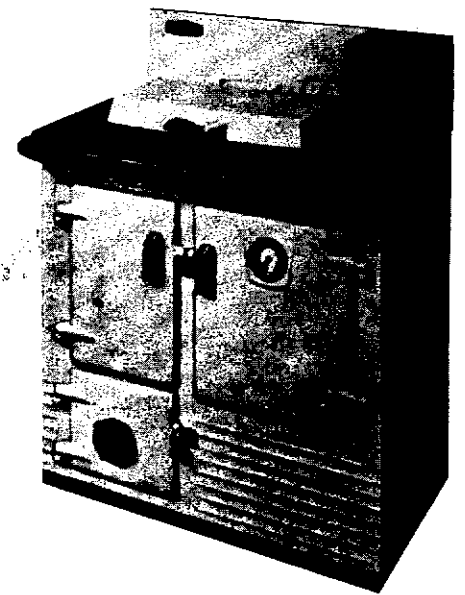
LIMITED PARTS ONLY

# RAYBURN REGENT

Freestanding

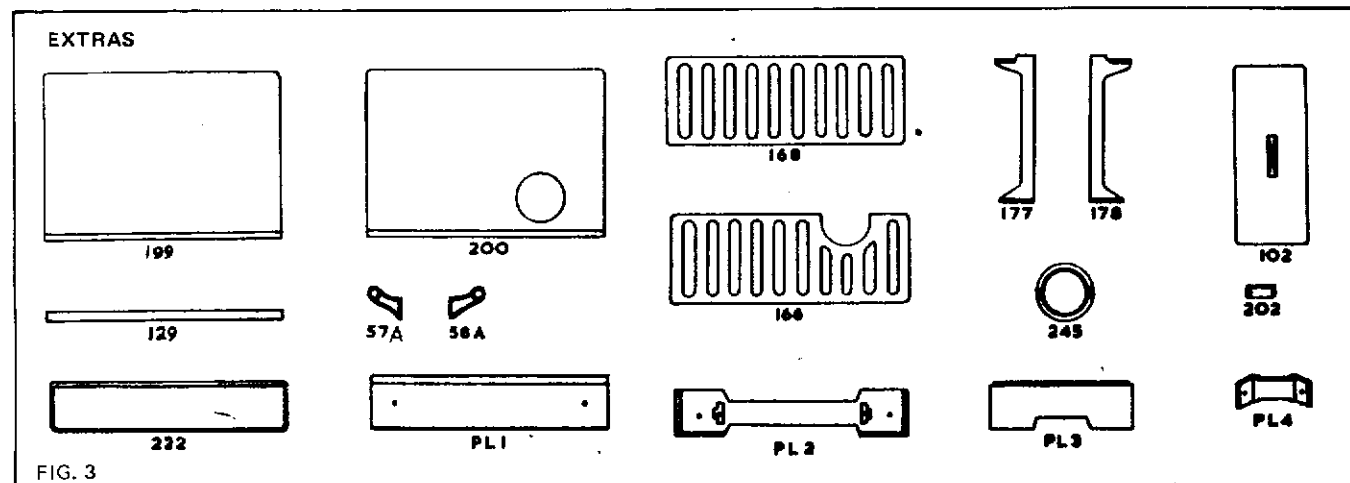
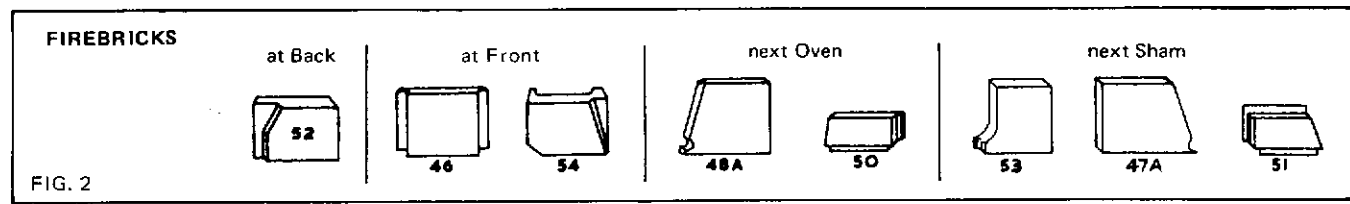
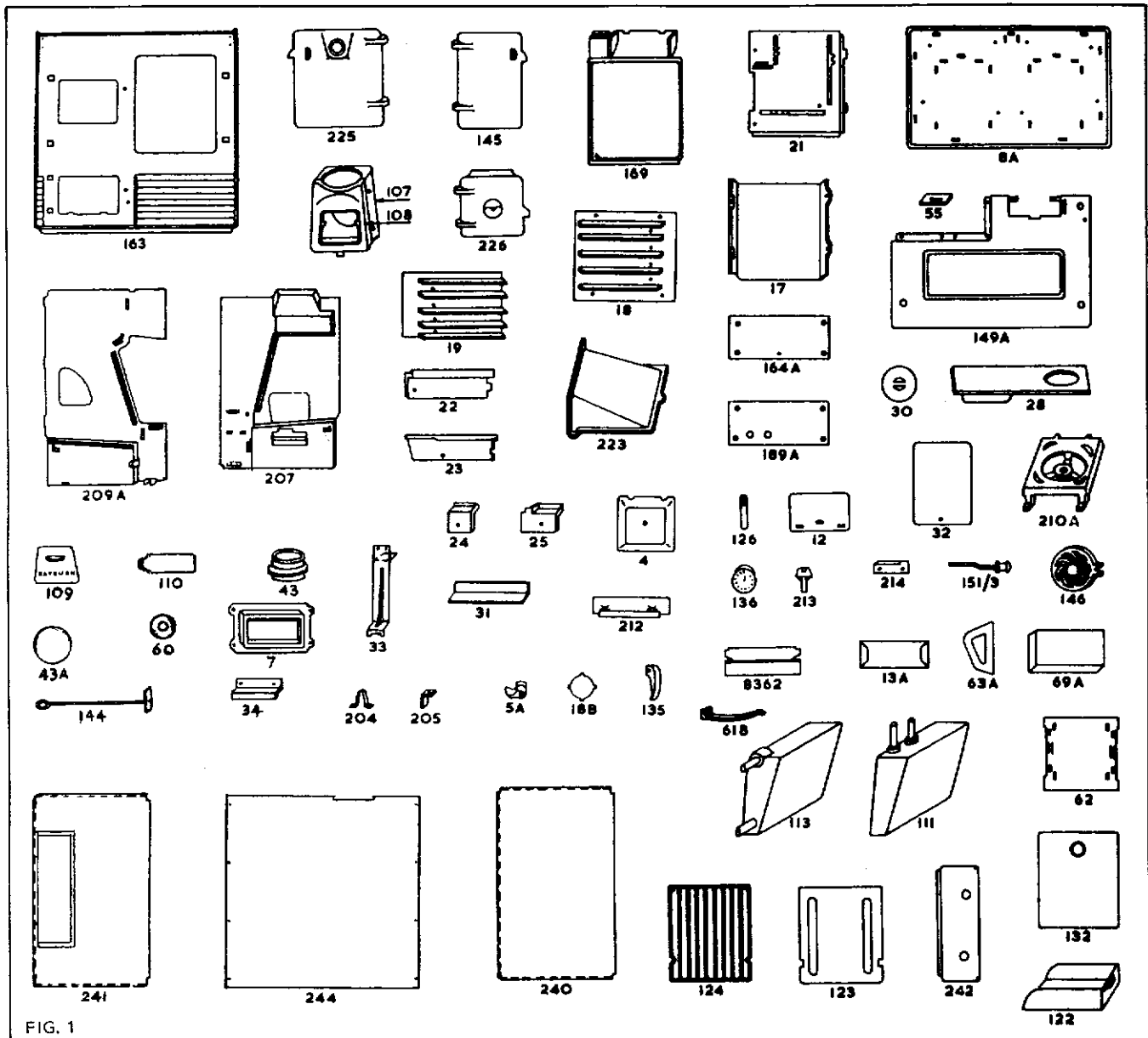


RAYBURN No. 1



RAYBURN REGENT

# RAYBURN No. 1 WITH EXTERNAL RIDDLING BOTTOMGRATE



# RAYBURN No. 1 WITH RECTANGULAR BOTTOMGRATE (OLD PATTERN)

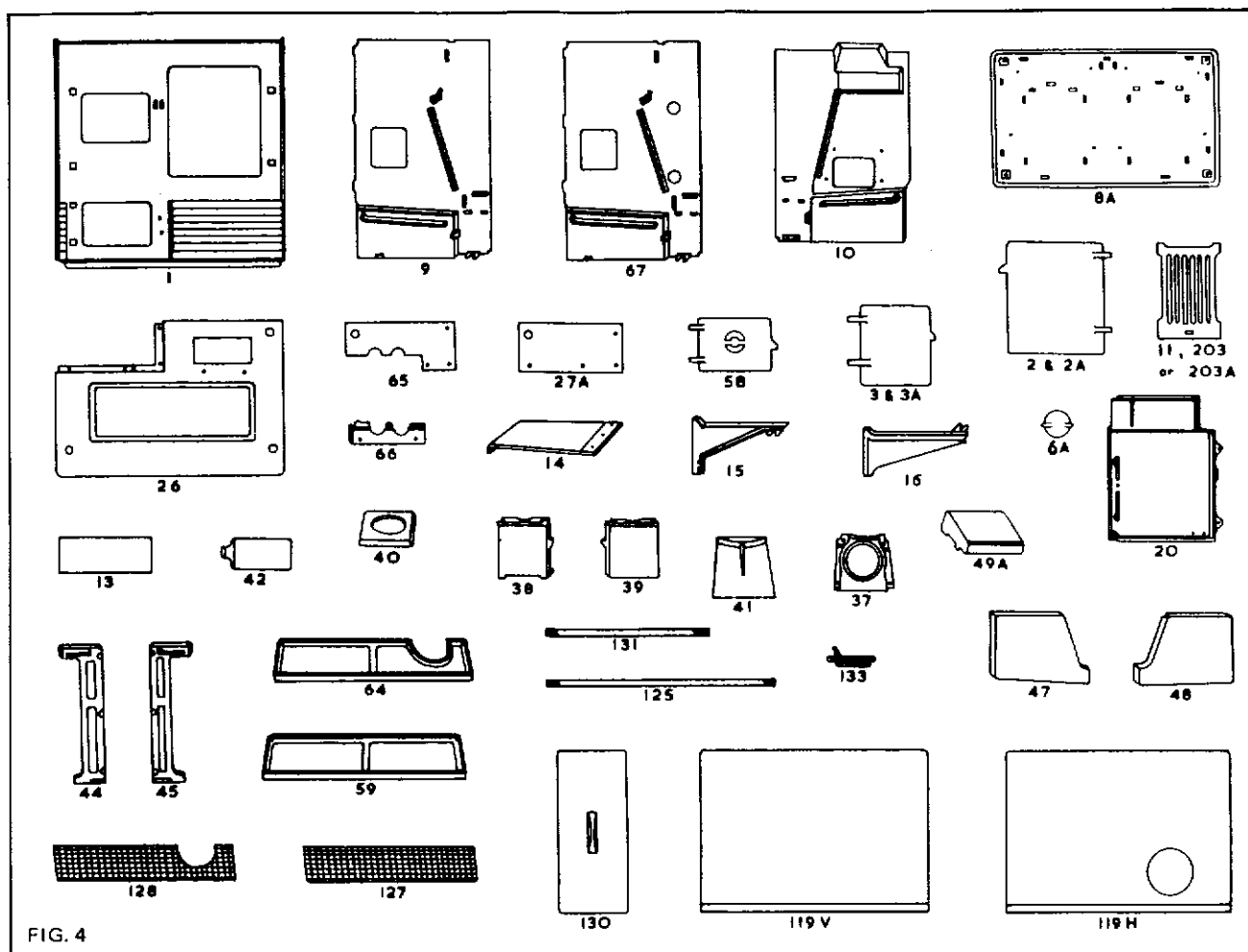


FIG. 4

## Component Parts

L/Hand Oven Part No.	R/Hand Oven Part No.	Description	L/Hand Oven Part No.	R/Hand Oven Part No.	Description
0	1	Front	44	44	Platerack Standard L.H.
71	2	Oven Door (Fixed Handle)	45	45	Platerack Standard R.H.
71A	2A	Oven Door (Lifting Handle)	94	47	Bottom Side Brick (next Sham)
72	3	Fire Door (Fixed Handle)	95	48	Bottom Side Brick (next Oven)
72A	3A	Fire Door (Lifting Handle)	49A	49A	Cast Iron Ash Shed
73	5B	Ashpit Door	59	59	Platerack Front (Horizontal Flue)
6A	6A	Ashpit Door Spinwheel & Screw	134	64	Platerack Frame (Vertical Flue)
8A	8A	Base (for Corner Stay Rods)	137	65	Boiler Access Plate (Back Sect.—Top Conns.)
75	9	Sham Cheek (Top Conns.)	138	66	Boiler Access Plate (Front Sect.—Top Conns.)
76	10	Oven Cheek	92	67	Sham Cheek (Side Conns.)
11	11	Bottomgrate (Also 203 or 203A)	140 V	119 V	Splash Plate (High) (Vertical Flue)
13	13	Plate Under C.I. Ash Shed	140 H	119 H	Splash Plate (High) (Horizontal Flue)
14	14	Oven Reflector Duct (Bottom)	125	125	Corner Stay Rods & Nuts
16	15	Oven Reflector Duct (Back)	127	127	Wire Grid for Platerack (Horizontal Flue)
15	16	Oven Reflector Duct (Front)	128	128	Wire Grid for Platerack (Vertical Flue)
80	20	Oven Back	130	130	Insulating Hotplate Cover (Alum.)
86	26	Hob	131	131	W.I. Oven Stay Rod
139	27A	Boiler Access Plate (Side Conns. or no Boiler)	133	133	Oven Thermometer (Mercury Type)
37	37	Flue Chamber Back			
90	38	Flue Chamber Side (with Damper Slot)			
91	39	Flue Chamber Side (Plain)			
40	40	Flue Chamber Top			
41	41	Flue Chamber Front Door			
42	42	Flue Chamber Damper			

## Component Parts (Right Hand Oven Model illustrated)

L/Hand Oven Part No.	R/Hand Oven Part No.	Description	L/Hand Oven Part No.	R/Hand Oven Part No.	Description
	FIG. 1				
4	4	Protection Plate for Firedoor	218A	209A	Sham Cheek (Side & Top Conns.)
5A	5A	Ashpit Door Catch	210A	210A	Bottomgrate Frame
7	7	Ashpit Door Frame	219	212	Support for Bottomgrate Frame (at Back)
8A	8A	Base	213	213	Riddling Arm for Bottomgrate
12	12	Ashpit Back	220	214	Riddling Arm Slide
13A	13A	Supporting Plate for Back Firebrick No. 69A	223	223	Convactor (under Oven)
77	17	Oven Bottom	229	225	Oven Door (for Lift-up Handle)
78	18	Oven Side (Fixed)	230	226	Ashpit Door
18B	18B	Ashpit Door Air Control Spinwheel	240	240	Sheet Metal End Casing (Non Boiler — Sham & Oven Sides)
79	19	Oven Side (Removable)	240	240	Sheet Metal End Casing (Top Conns. — Sham & Oven Sides)
81	21	Oven Top	240	240	Sheet Metal End Casing (Side Conns. — Oven Side)
82	22	Oven Top Flue Guide (At Front)	241	241	Sheet Metal End Casing (Side Conns. — Sham Side)
83	23	Oven Top Flue Guide (At Side)	243	242	Sheet Metal End Casing Cover Plate (Side Conns.)
84	24	Oven Top Flue Guide (Next Fire)	244	244	Sheet Metal Back Casing
85	25	Oven Top Flue Guide (Flue Outlet)	8362	8362	Support Plate for Boiler
28	28	Hotplate with Pick-ups			
30	30	Hotplate Plug or Cup			
31	31	Supporting Bar (Top Back Brick)	<b>Firebricks</b>		
32	32	Ashpit Bottom		FIG. 2	
33	33	Supporting Leg for Oven	93	46	Bottom Front Brick
34	34	Hob Protection Plate	94A	47A	Bottom Side Brick (next Sham)
43	43	Flue Chamber Nozzle	95A	48A	Bottom Side Brick (next Oven)
43A	43A	Flue Chamber Blanking Disc	96	50	Top Side Brick (next Oven)
55	55	Catch (securing Top Front Fire Brick)	97	51	Mid Side Brick (next Sham)
60	60	Collars for Flow & Return Pipes (2 off)	98	52	Top Back Brick
61B	61B	Operating Tool	99	53	Top Side Brick (next Sham)
62	62	Back Plate (Behind No.69A Bricks)	100	54	Top Front Brick
63A	63A	Back Plate Brackets (2 off)	<b>Extras</b>		
69A	69A	Back Fire Bricks (in place of Boiler — 2 off)		FIG. 3	
107	107	Flue Chamber (Back Section)	57A	57A	Handrail Bracket L.H.
108	108	Flue Chamber (Front Section)	58A	58A	Handrail Bracket R.H.
109	109	Flue Chamber Cleaning Door	102	102	Insulating Hotplate Cover (Alum.)
110	110	Flue Chamber Damper	129	129	Handrail
111	111	H.P. Boiler (Top Conns.)	167	166	Plate Rack (Vertical Flue)
112	113	H.P. Boiler (Side Conns.)	168	168	Plate Rack (Horizontal Flue)
122	122	S.I. Ashpan	177	177	Plate Rack Standard L.H.
123	123	S.I. Oven Shelf	178	178	Plate Rack Standard R.H.
124	124	W.I. Oven Grid Shelf	199	199	Splash Plate (High—Vertical Flue)
126	126	Oven Steam Escape Pipe	201	200	Splash Plate (High — Horizontal Flue)
132	132	Oven Door Insulating Pad	202	202	W.I. Splash Plate Bracket (2 off)
135	135	Oven & Firedoor Handles (Lift up type)	222	222	Floor Tray
136	136	Oven Thermometer (Thermodial or Rayburn)	245	245	Flue Collar (S.I. Covering-in Plate). 2 Parts
144	144	M.S. Rake	PL 1	PL 1	Plinth (Outer Front)
172	145	Firedoor (Interlocking)	PL 2	PL 2	Plinth (Inner Front & Back)
146	146	Bottomgrate	PL 3	PL 3	Plinth (Sides) 2 off
171A	149A	Hob	PL 4	PL 4	Plinth (Angle Bracket ) 4 off
151/3	151/3	Handle & Rod for Riddling Bottomgrate			
170	163	Cooker Front	<b>NOTE:</b>		Parts not illustrated in FIGS. 4, 5 and 6 are common with those detailed in FIGS. 1, 2 and 3.
174A	164A	Access Plate to Boiler (Side Conns.)	<b>Finish:</b>		<b>RAYBURN No. 1 Model:</b> Hob and Flue Chamber Black Vitreous Enamel. Front and Side Panels: Mottled Cream, Plain Cream, White or Blue.
176	169	Oven Back Plate			<b>RAYBURN REGENT:</b> Hob and Flue Chamber Black Vitreous Enamel. Front and Side Panels: White, Blue or Cream Vitreous Enamel.
190A	189A	Access Plate to Boiler (Top Conns.)			
204	204	Trestle Bracket (Fixing Hob — Oven Side, 2 off)			
205	205	Angle Bracket (Fixing Hob — Sham Side, 2 off)			
216	207	Oven Cheek			

# RAYBURN REGENT (Continued)

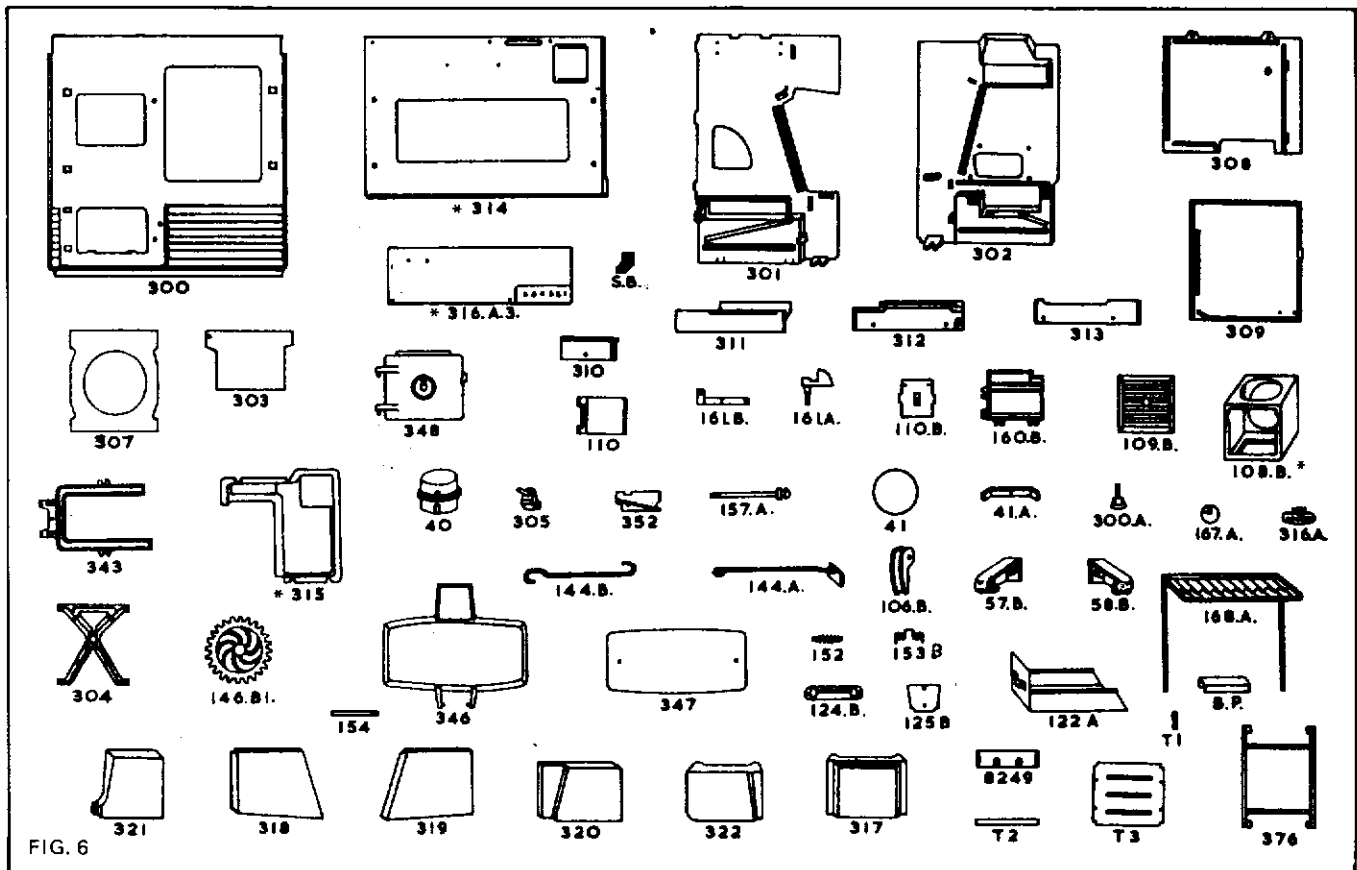


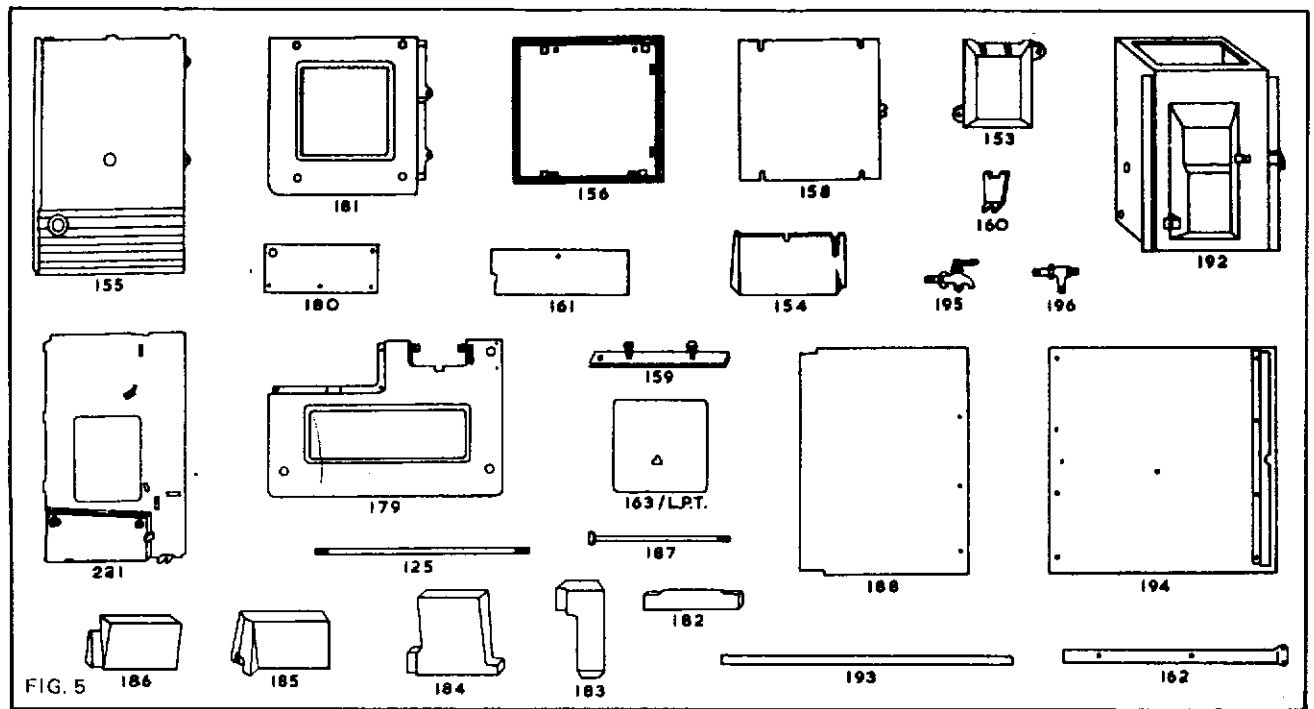
FIG. 6

## Component Parts

L/Hand Oven Part No.	R/Hand Oven Part No.	Description	L/Hand Oven Part No.	R/Hand Oven Part No.	Description
FIG. 6 (contd.)					
305	305	Cranked Rod } Straight Rod } Shaker Arm	344	343	Hot Spot Support (inside Hob)
354	354		346	346	Hinged Insulating Hotplate Cover
345	306		347	347	Hinged Lagging Plate for Cover
353	353	Slide for Riddling Arm (Straight Rod)	349	349	Ashpit Door
327	307	Ashpit Top Plate	376	376	Twin Insulating Hotplate Cover (not illustrated)
328	308	Oven Top Plate	300A	300A	Catch for Fire & Oven Door
328/2	308/2		324	301	Sham Cheek
358	357		325	302	Oven Cheek
329	309	356	355		
330	310	Oven Top Flue Guide (next Fire)	326	303	Ashpit Back
331	311	Oven Top Flue Guide (Side)	304	304	Bottomgrate Frame
332	312	Oven Top Flue Guide (Front)	8249	8249	Hinge Bracket (Twin Cover)
333	313	Oven Top Flue Guide (Back)	T1	T1	Hinge Pin (Twin Cover)
334	314	Hob*	T2	T2	Tube Handle (Twin Cover)
335	315	Hob Protection Plate (inside Hob)*	T3	T3	Lagging Plate (Twin Cover)
336A3	316A3	Splashplate*	BP	BP	Blanking Plate (Elongated Slot in Hob)
316A	316A	Cooker Nameplate	SB	SB	Splashplate Bracket
337	317	Front Fire Brick (Bottom)	* Please state above or below Hob Damper		
338	318	Bottom Fire Brick (next Sham)			
339	319	Bottom Fire Brick (next Oven)			
340	320	Back Fire Brick (Top)			
341	321	Top Fire Brick (next Sham)			
342	322	Front Fire Brick (Top)			

# RAYBURN No. 1

WITH LOW PRESSURE SIDE TANK AND EXTERNAL RIDDLING GRATE



## Component Parts

R/Hand Oven Part No.	Description
FIG. 5	
125	Vertical Stay Rods & Nuts (8 per set)
153	Protection Plate for L.P. Tank
154	Lagging Plate (on Outside Sham Cheek)
155	Front (Tank Unit)
156	Base (Tank Unit)
158	Supporting Plate for L.P. Tank
159	Cross Bars for above with Adjusting Screws
160	Cross Bar Supports (4 per set)
161	Lagging Plate (between Supporting Plate & Base)
162	Jointing Strip (Cooker & Tank Fronts)
163/LPT	Lifting Cover for L.P. Tank (Alum.)
179	Hob (Cooker Unit)
180	Hob Access Plate to Back Fire Bricks
181	Hob (Tank Unit)
182	Bottom Side Brick L.H.
183	Mid Side Brick L.H.
184	Top Side Brick L.H.
185	Bottom Back Brick
186	Mid Back Brick
187	Horizontal Stay Rod & Nut (for L.P.T.)
188	Back Casing (Tank Unit) (Sheet Metal)
192	Low Pressure Tank
193	Hand Rail
194	Back Casing (Cooker Unit - Sheet Metal)
195	Draw-off Cock for Tank
196	Sludge Cock for Tank
221	Sham Cheek (Opening for L.P. Tank)

## RAYBURN REGENT (See over)

L/Hand Oven Part No.	R/Hand Oven Part No.	Description
FIG. 6		
40	40	Flue Chamber Nozzle
41	41	Flue Chamber Blanking Disc
41A	41A	W.I. Fastening Clip for above
57B	57B	Handrail Bracket L.H.
58B	58B	Handrail Bracket R.H.
106B	106B	Oven Door Handle
108B	108B	Flue Chamber*
109B	109B	Flue Chamber Door
110	110	Flue Chamber Damper (above Hob)
110B	110B	Flue Chamber Damper (below Hob)
122A	122A	S.I. Ashpan
124B	124B	Hinge Bracket (Insulating Cover)
125B	125B	Blanking Plate (Insulating Cover Arm)
144A	144A	Raker
144B	144B	Bottomgrate Removal Tool
146B1	146B1	Bottomgrate
153	152	Spring Handle (Insulating Cover)
153B	153B	Spring (Insulating Cover)
154	154	Hinge Pin (Insulating Cover)
157A	157A	Riddling Rod & Handle (State Cranked or Straight)
360B	160B	Flue Damper Support (below Hob Damper)
161A	161A	Flue Damper Plate Handle (below Hob Damper)
361B	161B	Flue Damper Plate Link (below Hob Damper)
167A	167A	Flue Chamber Door Monogram
168A	168A	Plate Rack
323	300	Cooker Front