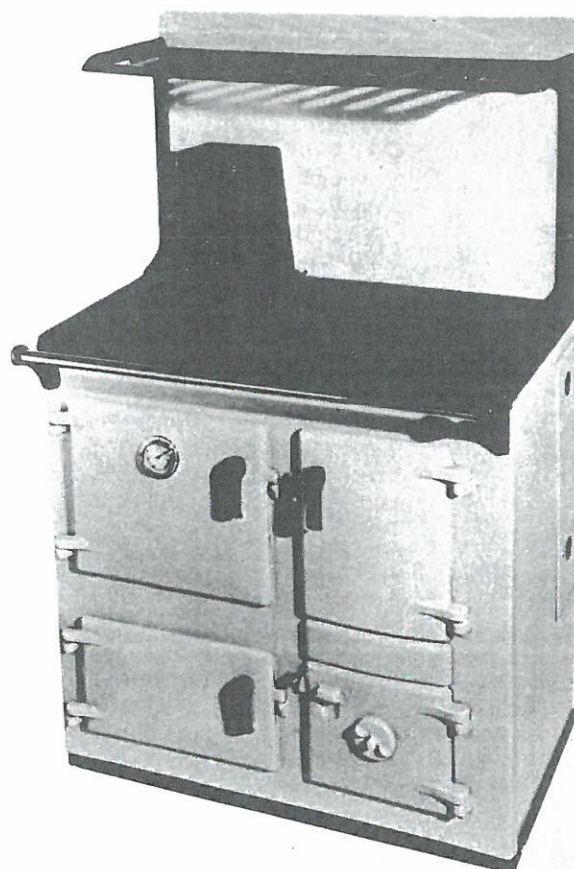


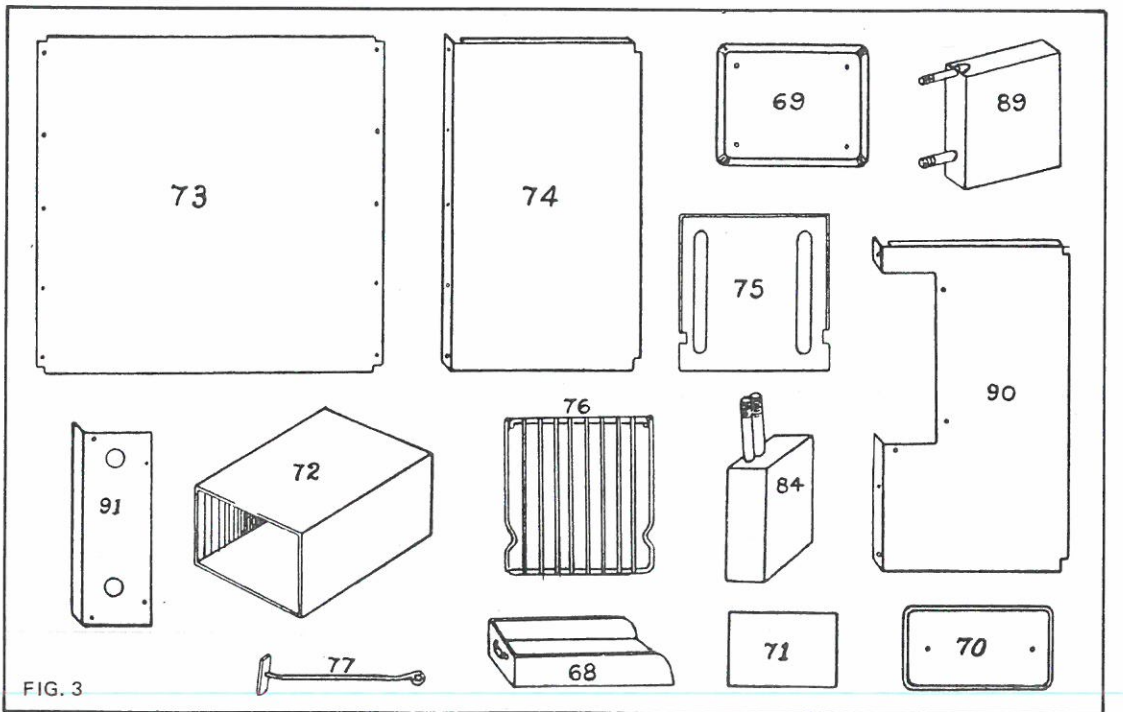
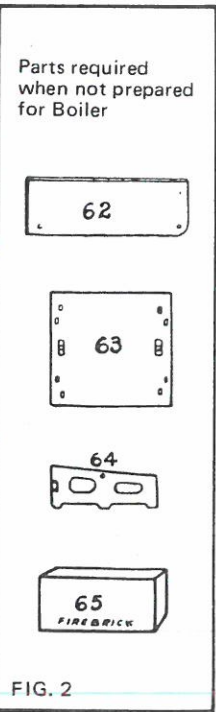
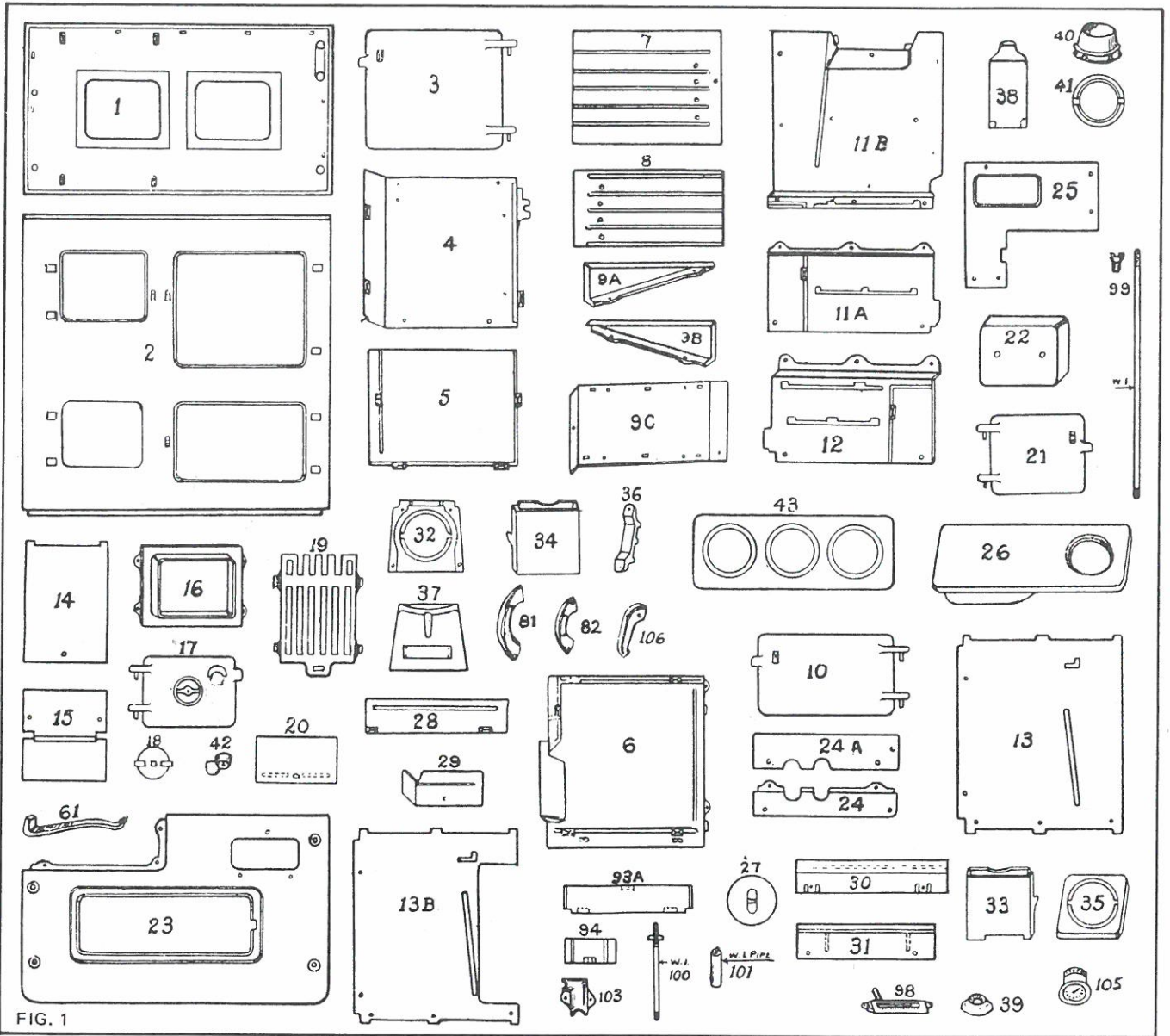
RAYBURN No. 2

Free standing

LIMITED PARTS ONLY



RAYBURN No. 2 (Right Hand Oven Model illustrated)



RAYBURN No. 2 (Continued)

Component Parts

L/Hand Oven Part No.	R/Hand Oven Part No.	Description	L/Hand Oven Part No.	R/Hand Oven Part No.	Description
	FIG. 1			FIG. 2	
201	1	Base	262	62	Access to Boiler Plate (Side Conns. and when no Boiler)
202	2	Front	63	63	Back Plate (when no Boiler)
203	3	Oven Door	64	64	Back Plate Bracket (when no Boiler) 2 per set
204	4	Oven Bottom	65	65	Mid Back Brick (when no Boiler) 2 per set
205	5	Oven Back			
206	6	Oven Top			
207	7	Oven Side (Fixed)			
208	8	Oven Side (Removable)			
9A	9A	Oven Reflector Duct Front	FIG. 3	FIG. 3	
9B	9B	Oven Reflector Duct Back	68	68	Sheet Iron Ashpan
9C	9C	Oven Reflector Duct Bottom	69	69	Oven Door Lining
210	10	Warming Oven Door	70	70	Warming Oven Door Lining
211A	11A	Oven Cheek Bottom	71	71	Filling Piece for Base (2 per set)
211B	11B	Oven Cheek Top	72	72	Warming Oven
212	12	Sham Cheek Bottom	73	73	Back Casing
213	13	Sham Cheek Top (Top Conns.)	74	74	End Casing (2 per set)
213B	13B	Sham Cheek Top (Side Conns.)	75	75	Sheet Iron Oven Shelf
14	14	Ashpit Bottom	76	76	Mild Steel Oven Grid Shelf
15	15	Ashpit Back	77	77	Wrought Iron Raker
16	16	Ashpit Door Frame	284	84	15 in. deep H.P. Boiler with Top Conns.
217	17	Ashpit Door	289	89	15 in. deep H.P. Boiler with Side Conns.
18	18	Ashpit Door Spin Valve	290	90	End Casing (Sham Side for Side Conns.)
19	19	Bottomgrate	291	91	End Casing Coverplate for above
20	20	Plate supporting Brick under Boiler			
221	21	Fire Door			
22	22	Fire Door Protection Plate			
223	23	Hob			
224	24	Access to Boiler Plate (Front)			
224A	24A	Access to Boiler Plate (Back)			
225	25	Hob Protection Plate			
26	26	Hotplate with Pick-ups			
27	27	Hotplate Cup			
228	28	Oven Top Flue Guide (Side)			
229	29	Oven Top Flue Guide (next Fire)			
30	30	Oven Top Flue Guide (Front)			
31	31	Oven Top Flue Guide (next Outlet)			
32	32	Flue Chamber Back			
233	33	Flue Chamber Side (with Damper Slot)			
234	34	Flue Chamber Side (Plain)			
35	35	Flue Chamber Top			
36	36	Flue Chamber Tie Bar			
37	37	Flue Chamber Front Door			
38	38	Flue Chamber Damper			
39	39	Collar for Flow and Return Pipes (2 per set)			
40	40	Flue Chamber Nozzle			
41	41	Flue Chamber Blanking Disc			
42	42	Ashpit Door Catch			
43	43	Hotplate with 3 Cup Holes			
61	61	Operating Tool			
81	81	Bakelite Handle Large			
82	82	Bakelite Handle Small			
93A	93A	Side Sealing Strip for Side Conns.			
94	94	Top and Bottom Sealing Strips for Side Conns. (2 per set)			
98	98	Oven Thermometer (Mercury Type)			
99	99	Corner Stay Rods and Nuts (4 per set)			
100	100	Oven Stay Rod			
101	101	Warming Oven Vent Pipe			
303	103	Oven Steam Escape			
105	105	Oven Thermometer (Bi-metal, Round)			
106	106	Lift-up Handle			

NOTE: When ordering replacements, please state if for Right or Left Hand Oven Model, Description and Number of part required.

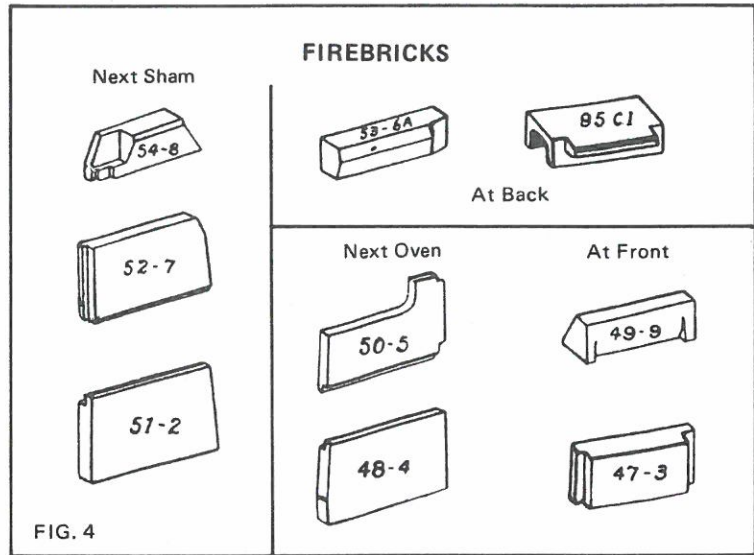
Finish: Hob and Flue Chamber: Black Vitreous Enamel.
Front and Side Panels: Cream.

RAYBURN No. 2 (Continued)

Component Parts

Firebricks

L/Hand Oven Part No.	R/Hand Oven Part No.	Description
		FIG. 4
47-3	47-3	Bottom Front Brick
248-4	48-4	Bottom Side Brick (next Oven)
249-9	49-9	Top Front Brick
250-5	50-5	Top Side Brick (next Oven)
251-2	51-2	Bottom Side Brick (next Sham)
252-7	52-7	Mid Brick (next Sham)
253-6A	53-6A	Top Back Brick
254-8	54-8	Top Side Brick (next Sham)



Extras

FIG. 5	
44	44 Platerack Standard L.H.
45	45 Platerack Standard R.H.
57	57 Handrail Bracket L.H.
58	58 Handrail Bracket R.H.
59	59 Platerack Frame for Horizontal Flue
260	60 Platerack Frame for Vertical Flue
66	66 Bracket R.H. for Low Splashplate
67	67 Bracket L.H. for Low Splashplate
278	78 Wire Grid for Platerack (Vertical Flue)
79	79 Wire Grid for Platerack (Horizontal Flue)
286	86 Splashplate (High)
287	87 Splashplate (Low)
88	88 Handrail
102	102 Insulating Hotplate Cover
104	104 Flue Collar for S.I. Register Plate

