

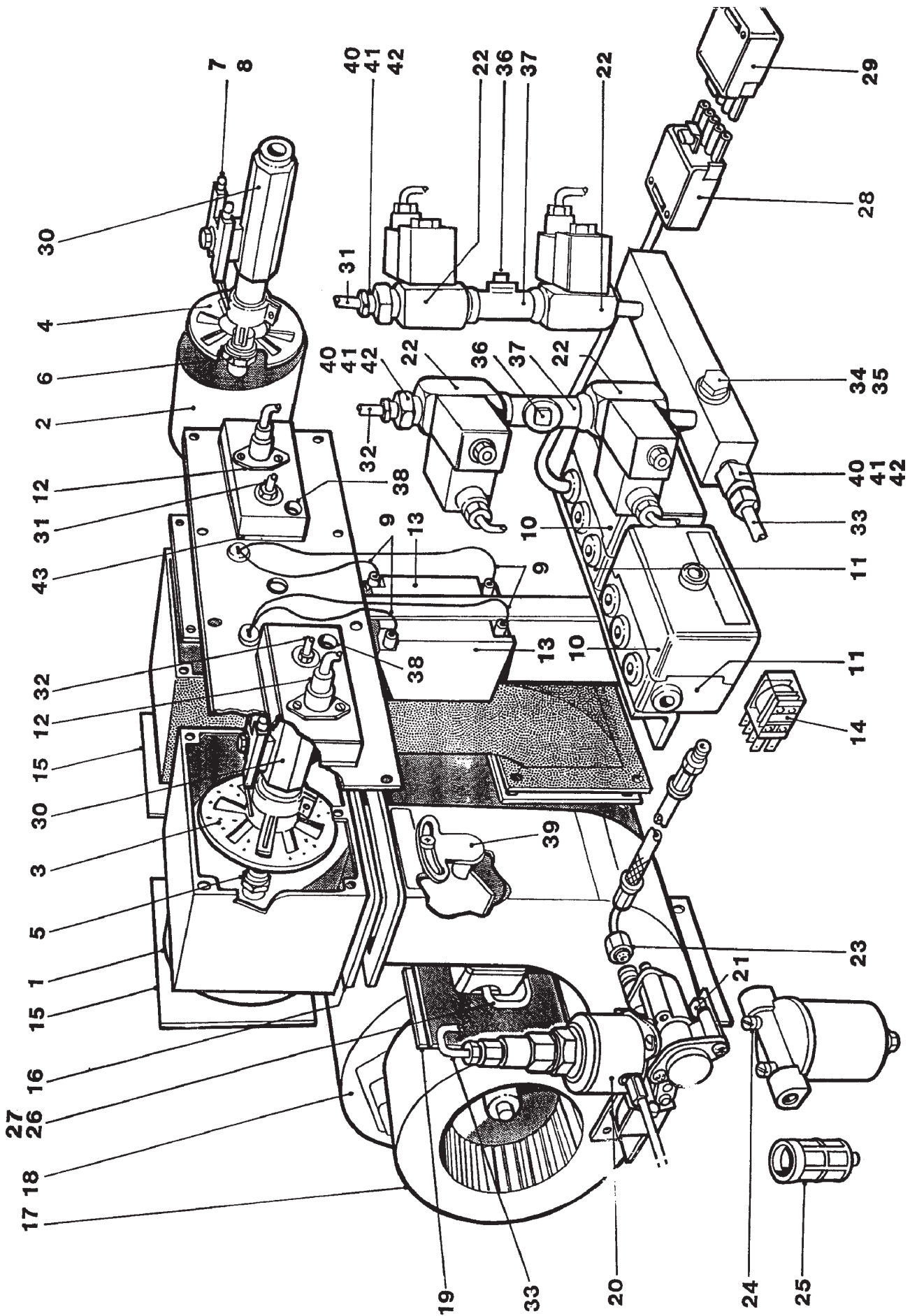
**AGA-RAYBURN PARTS  
LIST (OIL)  
BURNER MODEL:-  
480K MKII C/F**

***SPARE PARTS  
MANUAL***

**AGA-RAYBURN PARTS LIST (OIL)  
BURNER MODEL:- 480K MKII C/F**

**APRIL 2001**

ITEM No.	REQUIRED ACTION	CAT No.	DESCRIPTION	PRODUCT CODE
1	x	R3642	BURNER COMPLETE (353-012V)	RO4M340770
2	x	R3232	FLAME TUBE - BOILER (N53-029F)	RO4M998040
3	x	R3233	FLAME TUBE - COOKER (N53-027D)	RO4M998043
4	x	R3228	DIFFUSER - BOILER (N53-032J)	RO4M998041
5	x	R2899	DIFFUSER - COOKER (N53-005E)	RO4M999515
6	x	R2511	NOZZLE - BOILER 0.65.805 (H04-306C)	RO4M999375
7	x	R2510	NOZZLE - COOKER 0.4 80 SF (H03-301E)	RO4M999374
8	x	R2625	ELECTRODE (N24-063R)	RO4M999416
9	x	R2626	ELECTRODE GASKET (G09-147L)	RO4M998045
10	✓	R2623	HT LEAD (B09-292R)	RO4M999414
11	○	R3935	CONTROL BOX (C21-138V)	RO4M998383
12	○	R3226	CONTROL BOX BASE (C21-331W)	RO4M998055
13	x	R4198	PHOTOCELL (C31-075T)	RO4M998350
14	○	R2513	IGNITION UNIT (C05-009R)	RO4M999378
15	○	R3236	RELAY (C51-120D)	RO4M998057
16	x	R2621	GASKET MOUNTING (G09-184S)	JGSG340014
17	○		GASKET F/TUBE (G09-182G)	RO4M999417
18	✓	R3231	FAN ASSY - BOILER (D19-209Q)	RO4M998051
19	✓	R3085	FAN ASSY - COOKER (D19-207E)	RG4M999647
20	✓	R3632	GASKET FAN/DUCT (G09-190L)	RO4M998052
21	○	R4203	PUMP TAISAN MP 45D (U90-801J)	RO4M998213
22	✓	R3640	GASKET PUMP/MNTG (G09-186C)	RO4M998060
23	○	R2516	SOLENOID SINGLE (E01-0287)	RO4M999381
24	x	R3643	HOSE FLEXIBLE (HOOK) (E59-1027)	RO4M998061
25	x	R2664	FILTER OIL (E03-029T)	RO4M999391
26/27	x	R3639	ELEMENT FILTER OIL (E03-034Q)	RO4M998063
26/27	○	R3576	PLUG/SOCKET 4 PIN (B08-052J)	RO4M998058
28/29	○	R3576	PLUG/SOCKET (B08-046L)	RO4M998058
28/29	○	R3567	PLUG/SOCKET 5 PIN (B08-029K)	RO4M998059
28/29	○	R3567	PLUG/SOCKET (B08-030Q)	RO4M998059
30	✓	R3644	INNER ASSY (M53-033L)	RO4M998044
31	✓		PIPE OIL FEED - COOKER (T99-378U)	RO4M998200
32	✓	R3682	PIPE OIL FEED - BOILER (T99-377T)	RO4M998201
33	✓		PIPE OIL FEED PUMP/MAN (T99-379V)	RO4M998202
34	✓	R3686	PLUG BRASS (E10-582M)	RO4M998204
35	✓	R3685	WASHER COPPER (E10-905Z)	RO4M998203
36	✓	R3645	PLUG (E20-248P)	RO4M998205
37	✓	R3580	TEE (N53-034L)	RO4M998206
38	✓	R3631	GLASS SIGHT (G16-035M)	RO4M999420
39	✓	R3627	QUADRANT AIR FLAP (P53-021U)	RO4M998207
40/41/42	✓	R3681	ADAPTOR (E10-599W)	RO4M998210
43	○		GASKET P/CELL M/FOLD (G09-172M)	RO4M998211
			REQUIRED ACTION KEY:	
			7 = CHANGE	
			○ = CHANGE IF FAULTY	
			4 = INSPECT, CLEAN AND REPLACE IF WORN	



R04M 340547 480 MK II