

**RAYBURN**  
**460/480/499KB**  
**COOKERS**

**BALANCED FLUE MODELS**  
**(Cookers with serial numbers prefixed MX)**

***SPARE PARTS***  
***MANUAL***

**RAYBURN 460/480/499 KB (BALANCED FLUE) Serial Numbers Prefixed MX  
Burner Spare Parts**

**April 1998**

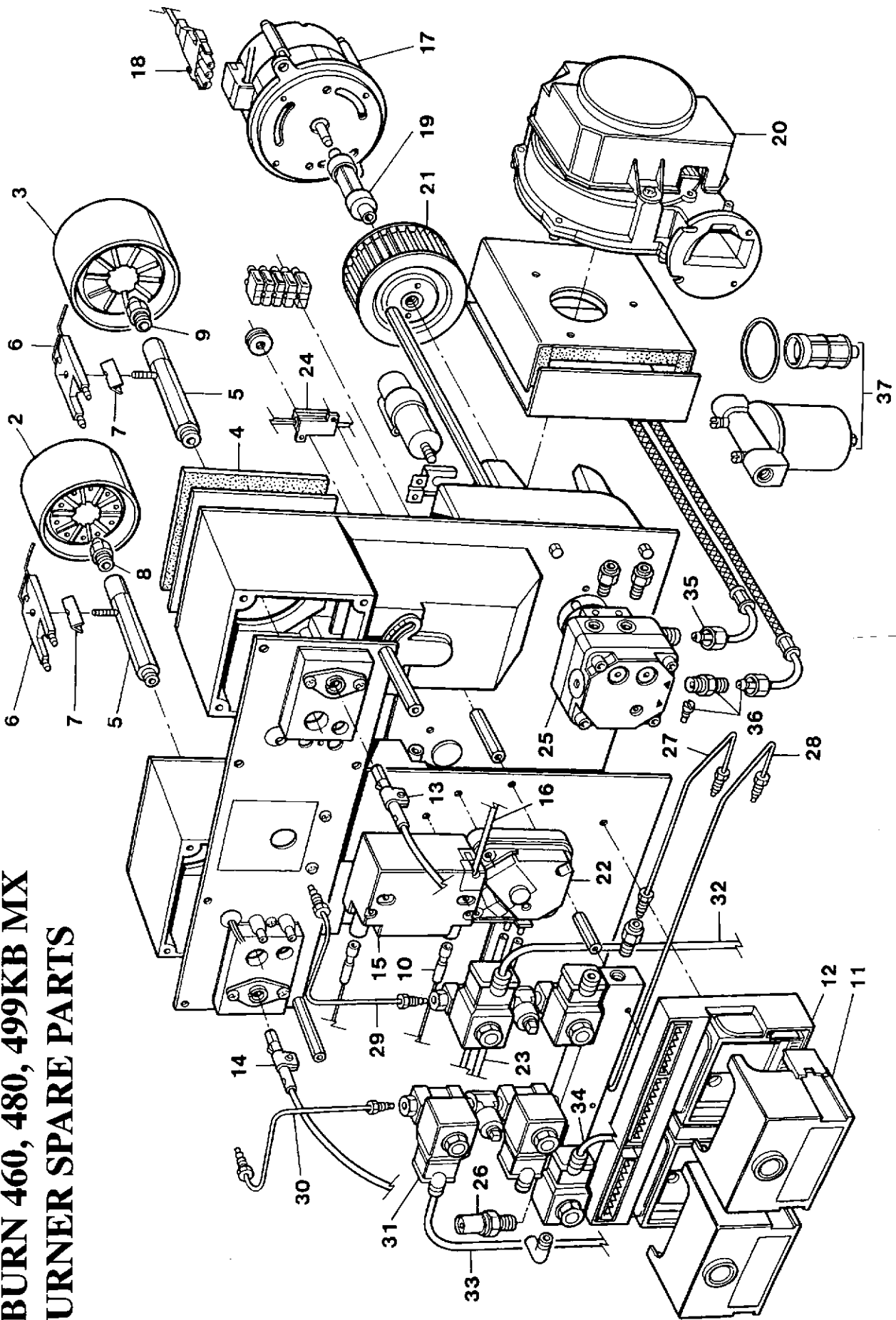
ITEM No.	CAT No.	DESCRIPTION	PRODUCT CODE
1	R3998	BURNER ASSEMBLY COMPLETE - 460	RO4M342325 A
1	R3999	BURNER ASSEMBLY COMPLETE - 480	RO4M342326 A
1	R4000	BURNER ASSEMBLY COMPLETE - 499	RO4M342327 A
2	R3766	FLAME TUBE BOILER - 460	RO4M998396 A
2	R3767	FLAME TUBE BOILER - 480	RO4M998397 A
2	R3768	FLAME TUBE BOILER - 499	RO4M998399 A
3	R3769	FLAME TUBE COOKER	RO4M998398 A
4	R3798	GASKET	RO4M998390 A
5	R3644	BURNER HEAD INNER ASSEMBLY (LESS NOZZLE)	RO4M998044 A
6	R2625	ELECTRODE COOKER & BOILER	RO4M999416 A
7	R2626	ELECTRODE GASKET	RO4M998045 A
8	R3770	NOZZLE BOILER 460 .55 x 80 DEG	RO4M998392 A
8	R3771	NOZZLE BOILER 480 .65 x 80 DEG	RO4M998394 A
8	R3772	NOZZLE BOILER 499 .85 x 80 DEG	RO4M998395 A
9	R3773	NOZZLE COOKER .40 x 80 DEG	RO4M998391 A
10	R2623	H.T. LEADS	RO4M999414 A
11	R3227	CONTROL BOX LOA24	RO4M998383 A
12	R3774	CONTROL BOX TWIN BASE	RO4M998384 A
13	R3775	PHOTO CELL QRB1 COOKER	RO4M998406 A
14	R3776	PHOTO CELL QRB1 BOILER	RO4M998407 A
15	R2513	IGNITION UNIT	RO4M998378 A
16	R3777	IGNITOR LEAD (MAINS TO IGNITOR)	RO4M998408 A
17	R3778	MOTOR (OIL PUMP)	RO4M998378 A
18	R3779	MOTOR MAINS LEAD KIT	RO4M998409 A
19	R3780	MOTOR/PUMP COUPLING	RO4M998410 A
20	R3781	BOILER FAN UNIT	RO4M998384 A
21	R3782	IMPELLOR (COOKER FAN)	RO4M998385 A
22	R3783	AIR PRESSURE SWITCH	RO4M999658 A
23	R3784	AIR PRESSURE SWITCH LEAD	RO4M998411 A
24	R3786	BOILER FAN RESISTOR 460 (ORANGE LEADS)	RO4M998381
24	R3787	BOILER FAN RESISTOR 480 (BLACK LEADS)	RO4M998379
24	R4003	BOILER FAN RESISTOR 499 (PINK LEADS)	RO4M998380
25	R3788	OIL PUMP	RO4M998388 A
26	R3789	PRESSURE REGULATOR (SOFT START)	RO4M998389 A
27	R3790	OIL PIPE - FEED	RO4M998412 A
28	R3791	OIL PIPE - RETURN	RO4M998413 A
29	R3792	OIL PIPE - COOKER	RO4M998414 A
30	R3793	OIL PIPE - BOILER	RO4M998415 A
31	R3794	SOLENOID VALVE	RO4M998387 A
32	R3795	SOLENOID VALVE LEAD (COOKER)	RO4M998416 A
33	R3796	SOLENOID VALVE LEAD (BOILER)	RO4M998417 A
34	R3797	SOLENOID VALVE (SOFT START)	RO4M998418 A
35	R3945	FLEXIBLE OIL PIPE	RO4M998419 A
36	R3926	KIT FOR TWIN PIPE SYSTEM WITH THE FOLLOWING CONTENTS: INSTRUCTION SHEET HOSE FLEXI IM (HOOKED) BYPASS SCREW NIPPLE WASHER BULKHEAD FITTING WASHER/BULKHEAD FITTING 90° ELBOW REF MG22.10.242	RO9M998422 A EINS511614 A RO4M998419 A RO4M998421 A RO4M998420 A RO4M998424 A RO4M342161 A JWSR500360 A RO4M342292 A
37	R2664	OIL FILTER	RO4M999391 A

**RAYBURN 460/480/499 KB (BALANCED FLUE) Serial Numbers Prefixed MX  
Burner Spare Parts**

**April 1998**

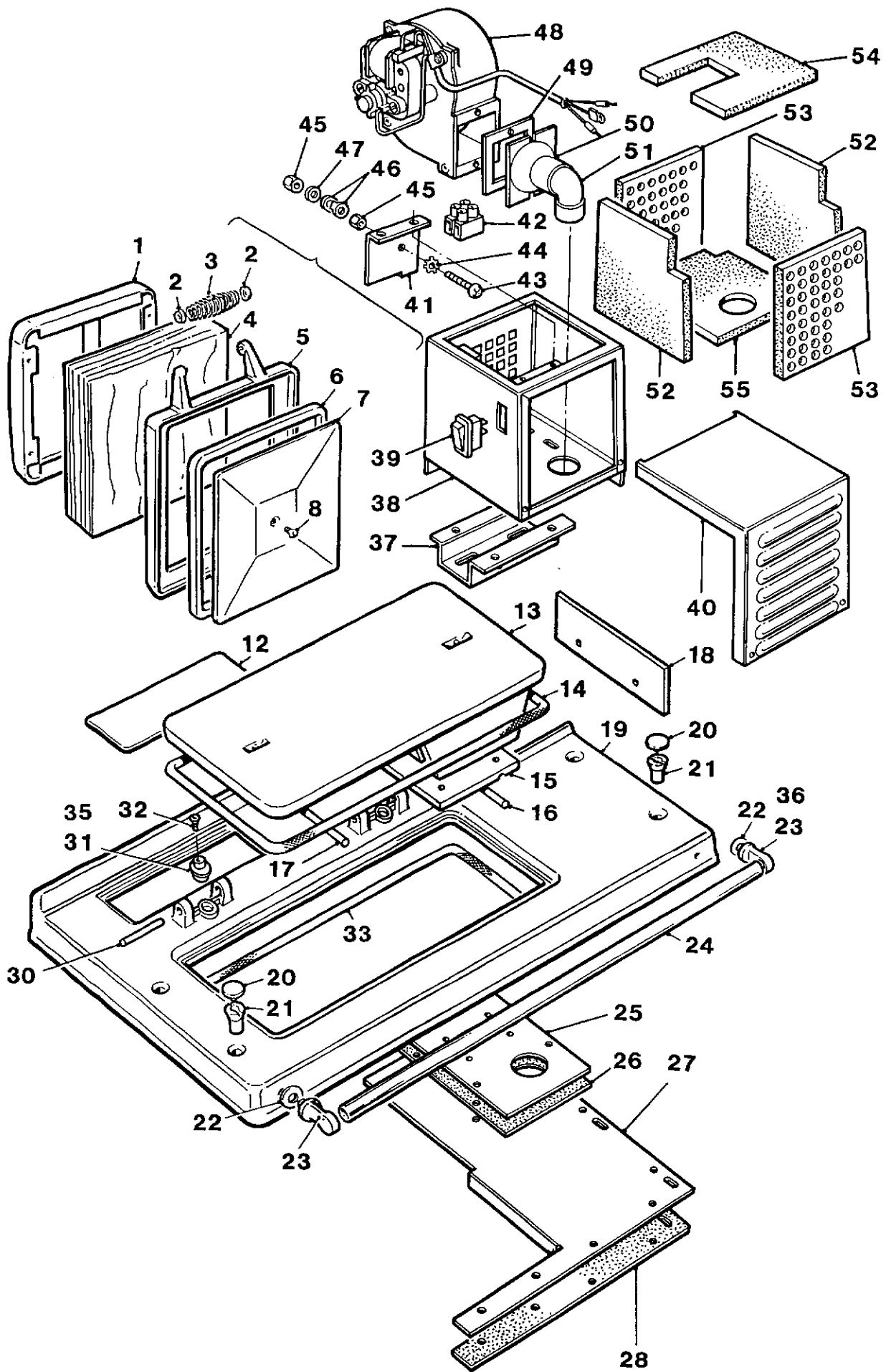
ITEM No.	CAT No.	DESCRIPTION	PRODUCT CODE
38 (not shown)	R3639	OIL FILTER SERVICE KIT	RO4M998063 A
39 (not shown)	R3946	GASKET/INS. KIT BOILER CHANGE WITH THE FOLLOWING CONTENTS: BOILER INS: BOILER: CHAMBER (INNER) INS: BOILER: BASE INS: BOILER: SIDE INS: BOILER: FRONT INS: BOILER: WRAP ADHESIVE IDENDEN GASKET: FLUE DIVERTER SEALING STRIP FRONT/BACK SEALING STRIP SIDES GASKET - ACCESS COVER ROPE - HOB	RO9M998423  RO1W342032 A JPAD342016 A JPAD342017 A JPAD342018 A JPAD342188 A JPAD342189 A JPAD342189 A MADH340930 A JGSG342148 A JGSG342289 A JGSG342290 A JGSG341149 A JCRP340796 A

# RAYBURN 460, 480, 499KB MX BURNER SPARE PARTS



**RAYBURN 460/480/499 KB (BALANCED FLUE) Serial Numbers Prefixed MX**  
**Hob, Insulating Covers and Fan Housing** **April 1998**

ITEM No.	CAT No.	DESCRIPTION	PRODUCT CODE
0	R3652	INSULATING COVERS COM/ASSY	RO1M340315
1	R2766	INSULATING COVER TOP ASSEMBLY	RO4M340276
2	R3029	LID HANDLE CUPS	RO4M340521
3	R3028	LID HANDLE	RO4M340522 A
4		INSULATION PAD	JPAD340307
5	R3555	INSULATING COVER BASE	RO53340274 C
6	R3457	SEAL INSULATING COVER	JMAR340790
7	R1614	LINING PANEL	RO2E340773
8		C/SNK HD SCREW 1/4 BSW x 113/16 LONG	KRCK50372
12	R1786	HOBPLATE FILLER PLATE	RS5E3-15918
13	R3816	HOTPLATE	RO5E342123 A
14	R3182	ROPE 15 DIA x 1600 LONG	JCRP340796
15		BAFFLE HOTPLATE	RG5M1-17047 A
16	R3818	ROPE 25 DIA x 240 LONG	JTHR342247 A
17	R3819	ROPE 13 DIA x 240 LONG	JTHR342246 A
18		BAFFLE	RO2M342130 A
19	R2547	HOBPLATE (TOP PLATE)	RO5E0-18032-480
20	R1713	CORNER STAY BUTTON	RO4M342271 A
21	R1066	CORNER STAY NUT	RO4M342270 B
22	A1472	WASHER - HANDRAIL BRACKET	JWSR313206
23	A2314	HANDRAIL BRACKET	AG5E3-9124 F
24	A1723	HANDRAIL	RO4M340837
25		SEALING PLATE	RO2M342304 B
26		GASKET - SEALING PLATE	JGSG342303 A
27		HOB PROTECTOR PLATE	RO2M342302 A
28		GASKET - HOB PROTECTOR PLATE	JGSG342301 B
30	R3908	HINGE SPINDLE	RO4M340786
31	R3909	LID ADJUSTMENT CAM	RO4M341029
32		SCREW C/SNK HD SKT M6 x 20	KCSK500346
33	R3182	ROPE 15 DIA x 1600 LONG	JCRP340796
35	R2759	HINGE BUSH	RO4M340226
36	R2975	VINYL END CAP	AG4M210660
37		BRACKET - FAN SHROUD SUPPORT	RO2M340566
38	R3468	FAN SHROUD ASSEMBLY	RO2V340440 A
39	R3447	SWITCH C1400XT 10A/250 VOLT	RO4M340778
40		FAN SHROUD - TOP/FRONT	RO2V340441
41		BRACKET - FAN SHROUD	RO2M340720
42	A2471	TERMINAL BLOCK	AE4M45669
43	A2473	SCREW M5 x 25 POZ' PAN HD	KPAN52590
44	R3454	WASHER M5 SHAKEPROOF	KWSR53611
45	A2472	NUT M5 HEX FULL - BRASS	KNUT52909
46	R3455	WASHER M5 CLAMP - CU.R/240004	KWSR53499
47	R3456	WASHER M5 PLAIN BRASS	KWSR53600
48	A2326	FAN - OVEN VENT WFB1602-0152	AG4M210083
49	R3438	GASKET - VENT FAN	JGSG340524
50	R3439	VENT FAN DUCT	RO4M340454
51	R3440	ELBOW - 28mm M/F COPPER	RO4M340789
52	R3444	INSULATION - F/SHROUD SIDES	JPAD340876
53	R3443	INSULATION - F/SHROUD FRONT/BACK	JPAD340871
54	R3442	INSULATION - F/SHROUD TOP	JPAD340878
55	R3445	INSULATION - F/SHROUD BASE	JPAD340870



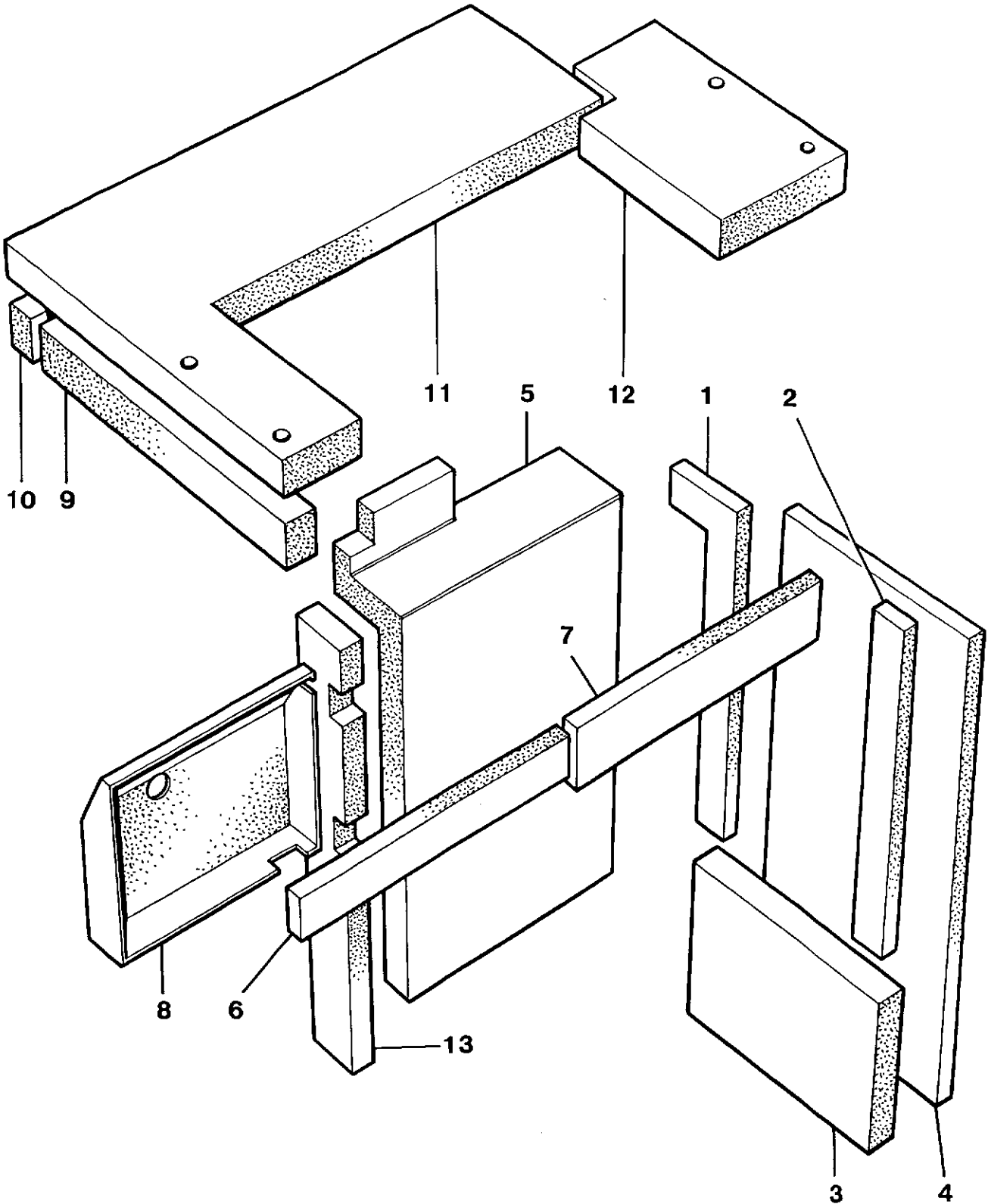
**RAYBURN 460, 480, 499KB MX  
HOB, INSULATING COVERS AND TOP PLATE**

**RAYBURN 460/480/499 KB (BALANCED FLUE) Serial Numbers Prefixed MX  
INSULATION**

April 1998

ITEM No.	CAT No.	DESCRIPTION	PRODUCT CODE
1		INSULATION - RIGHT HAND	JPAD342025 A
2		INSULATION - RIGHT HAND	JPAD342023 A
3		INSULATION - RIGHT HAND	JPAD342024 A
4		INSULATION - RIGHT HAND	JPAD342020 A
5		INSULATION - OVEN BACK	JPAD342309 A
6		INSULATION - HOB LEFT HAND FRONT	JPAD342053 A
7		INSULATION - HOB RIGHT HAND FRONT	JPAD342198 A
8		INSULATION - FACIA	JPAD342211 A
9		INSULATION - HOB LEFT HAND SIDE	JPAD342052 A
10		INSULATION - HOB REAR	JPAD342312 A
11		INSULATION - HOB TOP	JPAD342054 B
12		INSULATION - HOB SQUARE	JPAD342055 B
13		INSULATION - FIREBOX SIDE REAR	JPAD342324 A

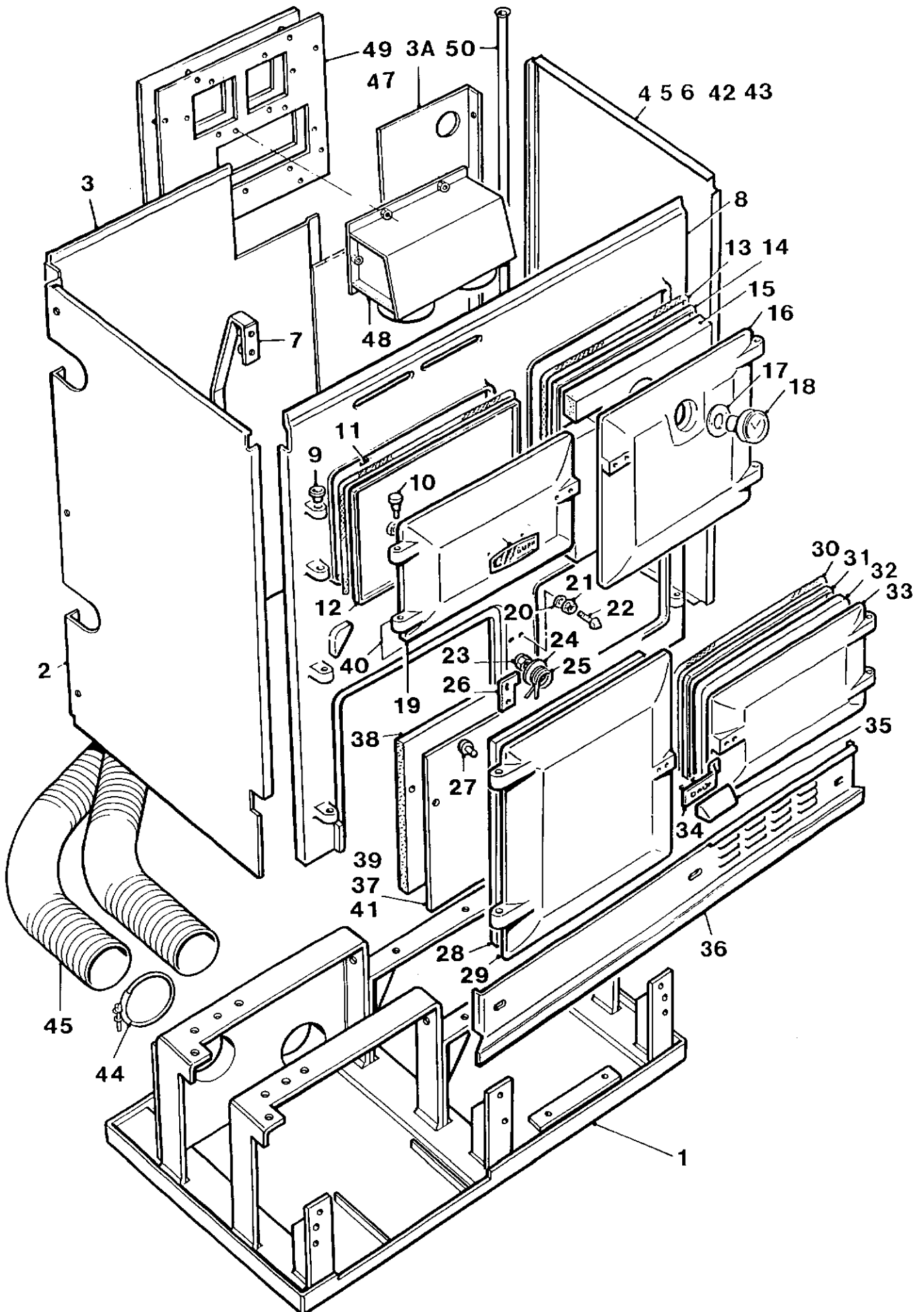
# RAYBURN 460, 480, 499KB MX INSULATION





**RAYBURN 460/480/499 KB (BALANCED FLUE) Serial Numbers Prefixed MX**  
**Front Plate, Doors and Side Panels** **April 1998**

ITEM No.	CAT No.	DESCRIPTION	PRODUCT CODE
1		BASE PLATE ASSEMBLY	RO2V342333 A
2	R3800	LEFT HAND SIDE PANEL	RO2V342201 A
3		BACK PANEL - L/HAND	RO2V342307 C
3a		BACK PANEL - R/HAND	RO2V342308 C
4	R3802	RIGHT HAND SIDE PANEL	RO2V342202 A
5		GROMMET	RO4M340705
6		GROMMET (HEYCO 15 DIA BLIND)	RO4M342283 A
7		BRACKET ASSEMBLY (FACIA INS)	RO1M342205 A
8	R3805	FRONT PLATE	RO5E340846 M
9	R2759	BUSH - DOOR HINGE	RO4M340226
10	R2633	DOOR HINGE PIN	RO4M340227
11	R2639	SEAL - CONTROL ACCESS DOOR	JMAR340257
12	R3460	CONTROL DOOR LINING PANEL	RO4M340937
13	R2642	SEAL - TOP OVEN DOOR	JMAR340255
14	R3459	LINING PANEL - TOP OVEN DOOR	RO2M340471
15	R2986	PAD - INSULATION	JPAD340465
16	R2619	TOP OVEN DOOR - ENAMELLED	RO5E340138
17	R3416	GASKET - THERMODIAL	JGSG340280
18	R2676	OVEN THERMODIAL BI-METAL ROUND	RO4T340295 A
19	R2617	OUTER CONTROL DOOR ONLY - ENAMELLED	RO5E340106
20	R2755	WASHER - DOOR KEEP AF2200	JWSR340334
21	R2754	LOCKNUT M8 Z/P (CLEVELOCK)	KNUT500260
22	R2753	DOOR KEEP	RO4M340185
23	R3417	M8 LOCKNUT (NYLON INSERT) ZP	KNUT500327
24	R2758	WASHER - SPRING RETAINING	KWSR340298
25	R2757	SPRING - DOOR CATCH	RO4M340297
26	R2752	BRACKET - DOOR STOP CATCH	RO2M340349
27		DOOR BUFFER	RO4M341031
28		PANEL - DOOR LINING	RO2M341018
29	R2618	OUTER BURNER DOOR ONLY - ENAMELLED	RO5E340107
30	R2641	SEAL - SIMMERING OVEN DOOR	JMAR340256
31	R2974	LINING PANEL - SIMMERING OVEN DOOR	RG2M313313
32	R2975	PAD INSULATION	JPAD340466
33	R2614	OVEN DOOR ONLY (SIM.) - ENAMELLED	RO5E340137
34	R2563	DOOR CATCH - BURNER/CONTROL DOOR	RO4M340278 A
34a	R2680	DOOR CATCH - OVEN DOORS	RO4M340181 A
35	R2061	DOOR HANDLES	RO4M340543
36	R3809	PLINTH	RO2V342204 A
37	R3810	BURNER COVER PLATE	RO2V342206 A
38	R3990	PAD BURNER COVER PLATE	JPAD342223 A
39		WIRING DATA LABEL	EGLL511644 A
40a		DATA PLAQUE (460KB)	RO4M342321 B
40b		DATA PLAQUE (480KB)	RO4M342322 B
40c		DATA PLAQUE (499KB)	RO4M342323 B
41			
42	R3807	BULKHEAD CONNECTOR	RO4M342161 A
43		WASHER - BULKHEAD CONNECTOR	KWSR500360 A
44		SINGLE SEAL CLIP (REGA)	RO4M342317
45		AIR TUBES (REGA)	RO4M342316
46			
47	R4004	GASKET - SEALING PLATE	JGSG342343
48		AIR INLET BOX ASSEMBLY	RO1M342306 B
49	R3466	SEALING PLATE - COOKER/TERMINAL	RO2M340723
50		CABLE SUPPORT TUBE	RO4M342305 B

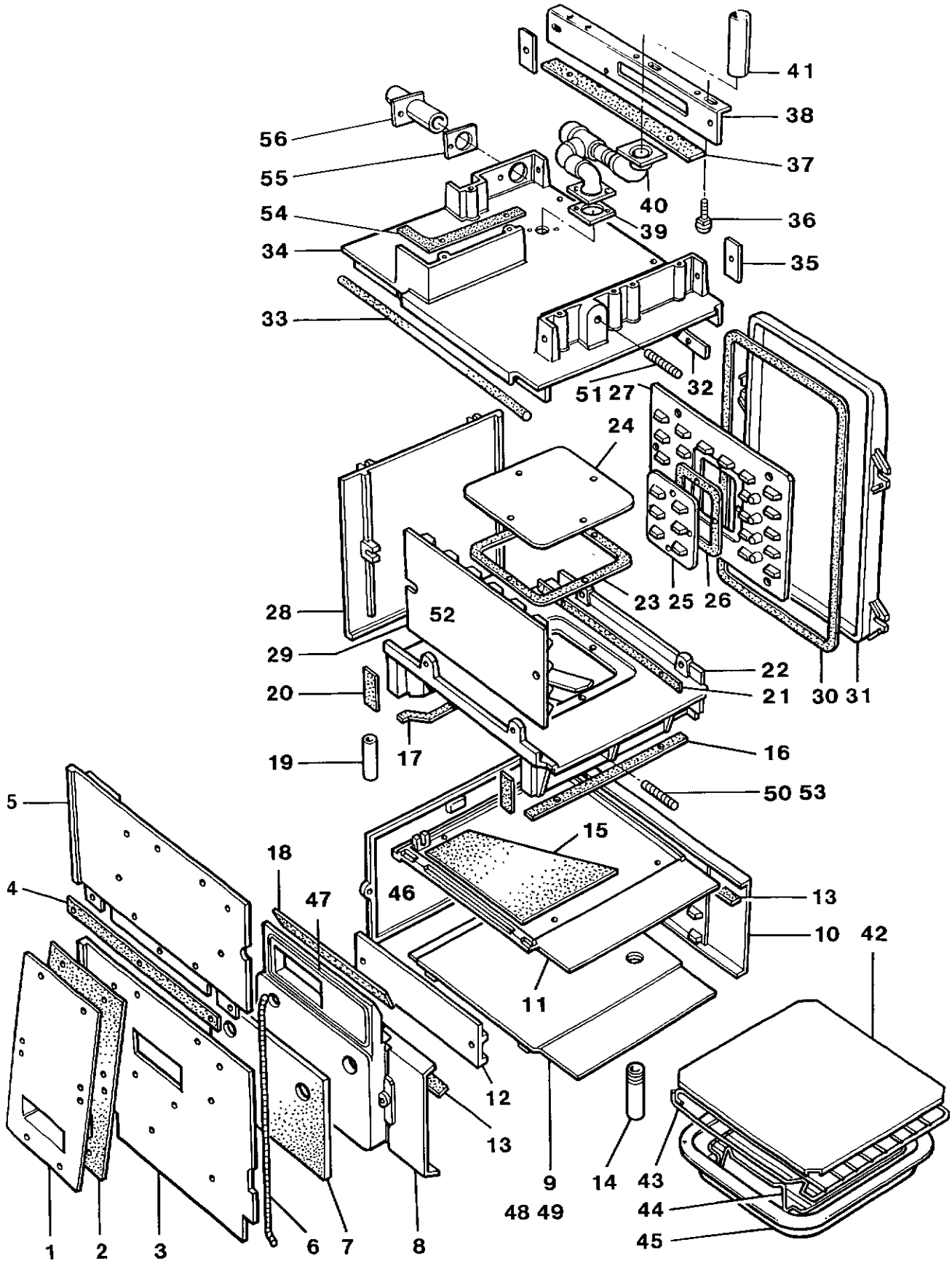


**RAYBURN 460, 480, 499KB MX  
FRONT PLATE, DOORS AND SIDE PANELS**

**RAYBURN 460/480/499 KB (BALANCED FLUE) Serial Numbers Prefixed MX  
Firebox Side and Ovens Assembly**

**April 1998**

<b>ITEM No.</b>	<b>CAT No.</b>	<b>DESCRIPTION</b>	<b>PRODUCT CODE</b>
1	R3840	PROTECTOR PLATE - FIREBOX SIDE	RO1M342030 A
2	R3841	GASKET FIREBOX SIDE PROTECTOR PLATE	JGSG342031 A
3		FIREBOX SIDE - BOTTOM	RO5M342005 A
4		FIREBOX SIDE GASKET	JGSG340784
5		FIREBOX SIDE - TOP	RO5M342007 A
6		ROPE No. 4 x 500 LONG	JTHR20389
7		INSULATION PAD L/HAND SIDE SIM. OVEN	JPAD340826
8		L/HAND SIDE - SIMMERING OVEN	RO5M342009 A
9		BASE PLATE - SIMMERING OVEN	RO5M342075 A
10		R/H SIDE - SIMMERING OVEN	RO5M342065 A
11		TOP PLATE - SIMMERING OVEN	RO5M342077 B
12	R1916	REM L/H - SIMMERING OVEN	RG5M310005 A
13		GASKET	JGSG340542 A
14	R2789	OVEN VENT PIPE - SIMMERING OVEN BASE	RO4M340311 A
15		INSULATION OVEN FLUEWAY	JPAD342235 A
16		GASKET R/H FLUE FEATHER	JGSG340553
17		GASKET L/H FLUE FEATHER	JGSG340555
18		GASKET TOP L/HAND	JGSG340556
19		VENT PIPE - SIMMERING OVEN/TOP OVEN	RO4M340310
20		GASKET	JGSG340554
21		GASKET - TOP OVEN R/H SIDE	JGSG340557
22		BASE PLATE - TOP OVEN	RO5M342022 A
23	R2770	GASKET - ACCESS DOOR TOP OVEN BASE	JGSG340262 A
24	R3851	ACCESS DOOR - TOP OVEN BASE	RO5M342178 A
25	R2604	ACCESS DOOR - TOP OVEN R/H SIDE	RO5M340259
26	R2605	GASKET - ACCESS DOOR TOP OVEN R/H SIDE	JGSG340260
27		R/HAND SIDE - TOP OVEN	RO5M342079 A
28		BACK PLATE - TOP OVEN	RO5M342081 A
29	R1916	REM. L/H TOP OVEN SIDE	RS508-R/H
30		GASKET R/H DUCT	JGSG342126 A
31		RIGHT HAND DUCT	RO5M342084 A
32		GASKET R/H SIDE - TOP OVEN	JGSG340557
33		ROPE 10 DIA x 455 LONG	JCRP342282
34		TOP PLATE - TOP OVEN	RO5M342310 B
35		GASKET - R/H FLUE FEATHER	JGSG342183 A
36		M10 x 25 COACHBOLT	KMIS342281 A
37		GASKET R/H FLUE FEATHER	JGSG342182 A
38		R/HAND FLUE FEATHER	RO2M342173 A
39		GASKET - TOP OVEN VENT	RG4M30413
40	R3405	VENT FAN PIPE ASSEMBLY	RO4M340453 A
41		VENT PIPE EXTENSION	RO4M340777
42	R1618	OVEN SHELF	RS2M340757
43	R2573	OVEN GRID SHELF	RS4M300070 A
44	R2571	GRILL RACK	RS4M311164 A
45	R1004	MEAT TRAY	EMTY47744
46		BACK PLATE - SIMMERING OVEN	RO5M342218 A
47		ROPE 10 DIA x 750 LONG	JCRP340314
48		STUD M8 x 50 LONG	KSTD52103
49		NUT M8	KNUT53061
50		STUD M8 x 95 LONG	KSTD342277 A
51		STUD M8 x 50 LONG	KSTD52103
52		REM. L/H OVEN SIDE - TOP	RS508-RH F
53		GASKET - FLUEWAY STUD	JGSG342199 A
54		GASKET - TOP OVEN TOP PLATE	JGSG342311 A
55		GASKET - VENT FAN PIPE ASSEMBLY	JGSG340411
56	R3398	VENT FAN PIPE ASSEMBLY	RO4M340694 A



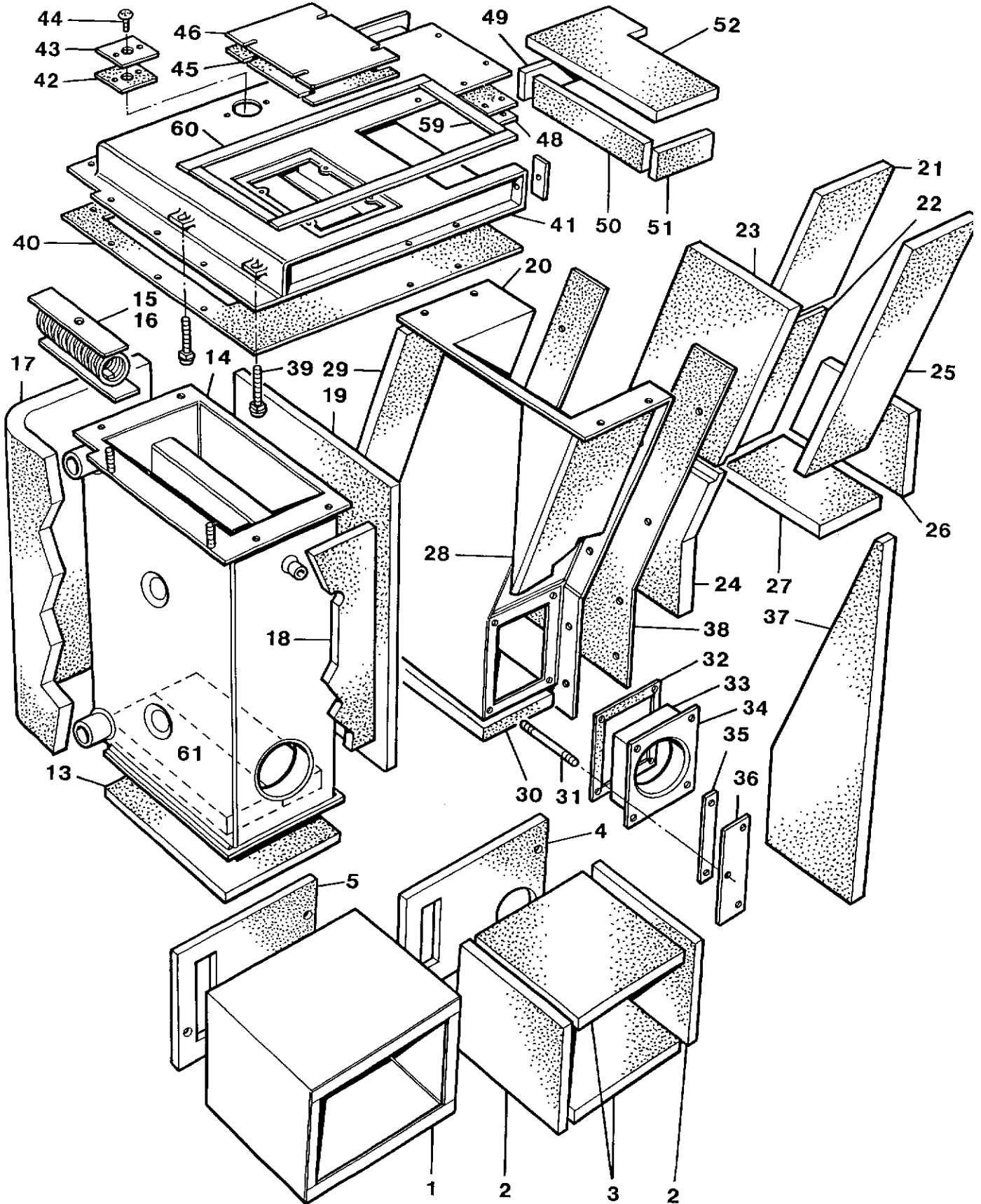
**RAYBURN 460, 480, 499KB MX  
FIREBOX AND OVENS ASSEMBLY**

**RAYBURN 460/480/499 KB (BALANCED FLUE) Serial Numbers Prefixed MX  
Boiler, Cooker Chamber, Flue Diverter**

April 1998

ITEM No.	CAT No.	DESCRIPTION	PRODUCT CODE
1	R3861	BURNER FAN BOX ASSEMBLY	RO1M342319
2	R3861	INSULATION - SIDE	JPAD342134 A
3	R3861	INSULATION - TOP/BOTTOM	JPAD342135 A
4	R3861	INSULATION - REAR INNER	JPAD342313 B
5	R3861	GASKET - FAN BOX REAR	JGSG342314 A
13	R3873	INSULATION - BOILER BASE OUTER	JPAD342017 A
14	R3874	BOILER ASSEMBLY	RO1W342032
15	R3875	BAFFLE - BOILER ST. STL (LOWER)	RO1M342168 B
16	R3876	BAFFLE - BOILER M. STL (UPPER)	RO1M342169 B
17	R3877	INSULATION - BOILER WRAP	JPAD342189 A
18	R3877	INSULATION - BOILER FRONT	JPAD342188 A
19	R3877	INSULATION - BOILER R/H SIDE	JPAD342018 B
20		COOKER CHAMBER ASSEMBLY	RO1M342066 C
21	R3881	INSULATION - INNER - REAR TOP	JPAD342002 A
22	R3881	INSULATION - INNER - REAR BOTTOM	JPAD342001 A
23	R3881	INSULATION - INNER - L/H TOP	JPAD342012 A
24	R3881	INSULATION - INNER - L/H BOTTOM	JPAD342011 A
25	R3881	INSULATION - INNER - FRONT	JPAD342010 A
26	R3881	INSULATION - INNER - R/HAND	JPAD342000 B
27	R3881	INSULATION - INNER - BASE	JPAD342028 A
28		INSULATION - OUTER FRONT	JPAD342015 A
29		INSULATION - OUTER REAR	JPAD342013 A
30		INSULATION - OUTER BASE	JPAD342014 A
31	R4001	STUD M10 x 115 LONG	KSTD342276 A
32	R3891	GASKET BURNER MOUNTING	JGSG342072 A
33	R3892	INSULATION - FRONT	JGSG342003 D
34		PLATE BURNER MOUNTING	RO2M342070 A
35		PLATE BURNER FIXING	RO2M342193 A
36		PLATE BURNER SECURING	RO2M342192 A
37		INSULATION - FIREBOX SIDE L/H	JPAD342019 A
38		GASKET - BURNER CHAMBER	JGSG342073 A
39		M10 x 45 BOLT (FLAT HEAD)	KMIS342280 A
40		GASKET - FLUE DIVERTER	JGSG342300 A
41		FLUE DIVERTER ASSEMBLY C/W. INS.	RO1M342336
42	R3428	COVER GASKET	JGSG340640
43	R3429	COVER PLATE	RO2M340638
44		SCREW - POZ HEAD PAN M10 x 16	KPAN500295
45	R3900	GASKET - ACCESS COVER	JGSG342149 A
46	R3901	ACCESS COVER PLATE - FLUE DIVERTER	RO2M342115 A
47			
48		END BRACKET - FLUE DIVERTER	RO2M342111 B
49		INSULATION - REAR	JPAD342150 A
50		INSULATION - SIDE	JPAD342151 A
51		INSULATION - FRONT	JPAD342153 A
52		INSULATION - TOP	JPAD342152 A
59		HOB SEALING STRIP - SIDES	JGSG342290 A
60		HOB SEALING STRIP - FRONT/BACK	JGSG342289 A
61		INSULATION - BOILER CHAMBER INNER	JPAD342016 A

# RAYBURN 460, 480, 499KB MX BOILER AND COOKER CHAMBER



**RAYBURN 460/480/499 KB (BALANCED FLUE) Serial Numbers Prefixed MX  
Electrical Controls**

**April 1998**

<b>ITEM No.</b>	<b>CAT No.</b>	<b>DESCRIPTION</b>	<b>PRODUCT CODE</b>
1		BRACKET - TERMINAL BLOCK MOUNTING	RG2M314027
2		LABEL - TERMINAL BLOCK	EGLL340443
3		TERMINAL BLOCK (11 WAY)	AE4M45669
4		COVER TERMINAL BLOCK (11 WAY)	AE4M340589
5	R3353	SWITCH	RO4M340587
6	R3940	FACIA PANEL	RO2V342144 A
7	R2508	KNOB - BOILER CONTROL	RO4M340301
8	R3941	KNOB - COOKER CONTROL	RO4M342145 A
9	R3939	PROGRAMMER - HONEYWELL	RO4T342156
10		CONTROL CHASSIS	RO2M342145 A
11		BRACKET - PROGRAMMER FIXING	RO2M342200 A
12		EARTH POST ASSEMBLY	RO4M998375
13		CABLE CLAMP	RG4M26192
14		TERMINAL BLOCK (6 WAY)	AE4M45669
15		TERMINAL BLOCK INSULATION	RO4M342275 A
16		EARTH POST ASSEMBLY	RO4M998375
17	R2502	THERMOSTAT - PUMP OVERRUN	RO4T340167 A
18	R2501	THERMOSTAT - BOILER	RO4T340165 A
19	R2500	THERMOSTAT COOKER	RO4T340166 A
20	R3942	THERMOSTAT - COOKER - LIMIT	RO4T340167 A
21	R3943	THERMOSTAT - BOILER - LIMIT	RO4T340166 A





**For further advice or information contact  
your local distributor/stockist**

With Aga-Rayburn's policy of continuous product improvement, the Company reserves the right to change specifications and make modifications to the appliances described and illustrated at any time.



Manufactured By  
**Aga-Rayburn**  
PO Box 30  
Ketley Telford  
Shropshire TF1 4DD



A Glynwed International business