

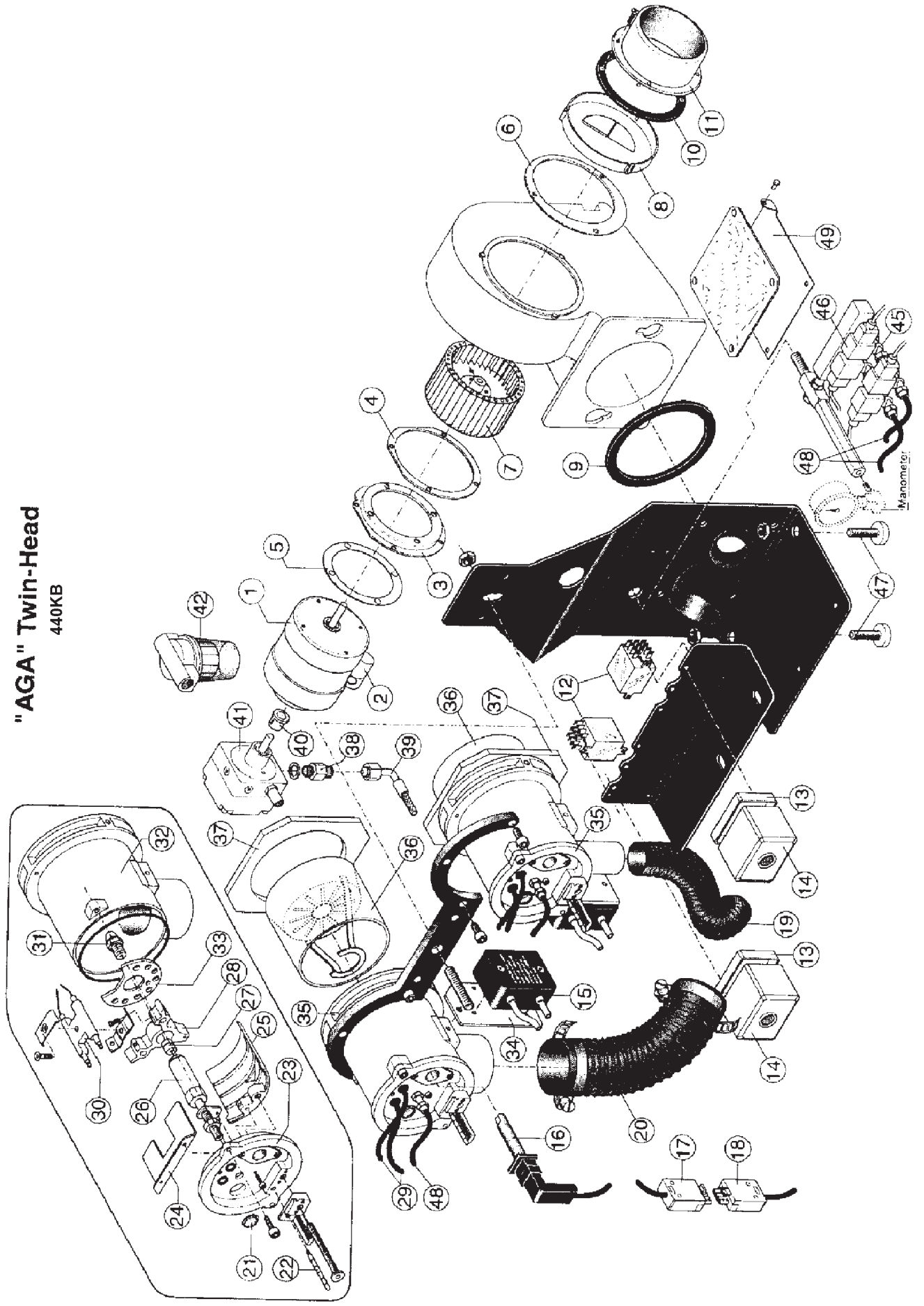
RAYBURN
440/460/480/499KB (E)
COOKERS

BALANCED FLUE MODELS
(Cookers with serial numbers prefixed MX)

SPARE PARTS
MANUAL

ITEM No.	CAT No.	DESCRIPTION	PRODUCT CODE
1	R5322	BURNER ASSEMBLY - 440K/KB	RO4M342568
2	R4653	MOTOR 90W (M181/21)	RO4M998929
3		CAPACITOR 3UF (C107/9)	RO4M998552
4		FLANGE (BFFO3005/001)	RO4M998930
5	R4655	BLACK 'O' RING (BFG01025)	RO4M998931
6		GASKET AIR - CONVEYOR TO MOTOR (L181/16)	RO4M998553
7		GASKET (BFG01005/2)	RO4M998932
8		FAN 093 x 43 (BFV10001/001)	RO4M998933
9		FAN SCOOP AIR CONVEYOR (GRMP002)	RO4M998934
10		GASKET (BFG02008/3)	RO4M998935
11		GASKET (BFG01005/9)	RO4M998936
12	R4663	FLANGED EXTERNAL AIR INTAKE (BFC03062/001)	RO4M998937
13	R4664	RELAY FINDER (R733/2)	RO4M998562
14	R4929	CONTROL BOX BASE	RO4M998563
15	R4666	CONTROL BOX (A156)	RO4M998804
16	R4667	IGNITION TRANSFORMER	RO4M998565
17	R4668	PHOTO RESISTOR	RO4M998566
18	R4669	WIELAND PLUG	RO4M998567
19	R4670	WIELAND SOCKET	RO4M998568
20	R4671	COOKER CORRUGATED HOSE (S951/3)	RO4M998569
21	R4671	BOILER CORRUGATED HOSE (S951/4)	RO4M998570
22	R4799	GLASS ASSEMBLY	RO4M998661
23	R4800	INDEX	RO4M998662
24	R4801	HEAD HOLDER DISC	RO4M998663
25	R4677	FLAP (BFT11504/001)	RO4M998575
26	R4802	AIR DAMPER (BFT11519/2)	RO4M998664
27	R4679	NOZZLE HOLDER (BFT11507/151)	RO4M998577
28	R4680	CUT-OFF VALVE (V195)	RO4M998578
29	R4681	NOZZLE HOLDER SUPPORT (BFT11514)	RO4M998579
30	R2369	IGNITION CABLES	RO4M999258
31		IGNITION ELECTRODE SET (BFE01102)	RO4M998938
32		BOILER NOZZLE (U1035/60H)	RO4M998939
33		COOKER NOZZLE (U1035/80S)	RO4M998940
34	R4809	BOILER HEAD HOLDER PIPE (BFT11522/2)	RO4M998674
35	R4810	COOKER HEAD HOLDER PIPE	RO4M998675
36	R4684	BOILER & COOKER REAR DISC (BFD01012/001)	RO4M998586
37	R4803	SUPPORT IGNITION TX (BFT11521/001)	RO4M998666
38		BOILER INNER ASSY (GRTT0100/905)	RO4M998941
39	R4686	COOKER INNER ASSY (GRTT0100/900)	RO4M998588
40		BOILER BLAST TUBE (BFB01104/051)	RO4M998942
41	R4805	COOKER BLAST TUBE (BFB01009/2)	RO4M998668
42	R4806	GASKET (Y105)	RO4M998669
43	R4692	NIPPLE (BFR01103/001)	RO4M998592
44	R4693	HOSES (S952/13)	RO4M998593
45	R4694	COUPLING (MP504)	RO4M998594
46	R4695	PUMP MOTOR (BFP10B3)	RO4M998595
47	R4696	OIL FILTER (S117/81)	RO4M998596
48	R4697	OIL VALVE PARKER (V175/8)	RO4M998599
49	R4698	COIL PARKER (V516/4)	RO4M998598
50	R4699	ANTI-VIBRATION DAMPER	RO4M998601
51	R4700	HOSES (S951/5)	RO4M998582
52		COVER (BFC09014/017)	RO4M998943

"AGA" Twin-Head
440KB



**ECOFLAM TWIN HEAD BURNER
460/480/499KB (E)**

JULY 2004

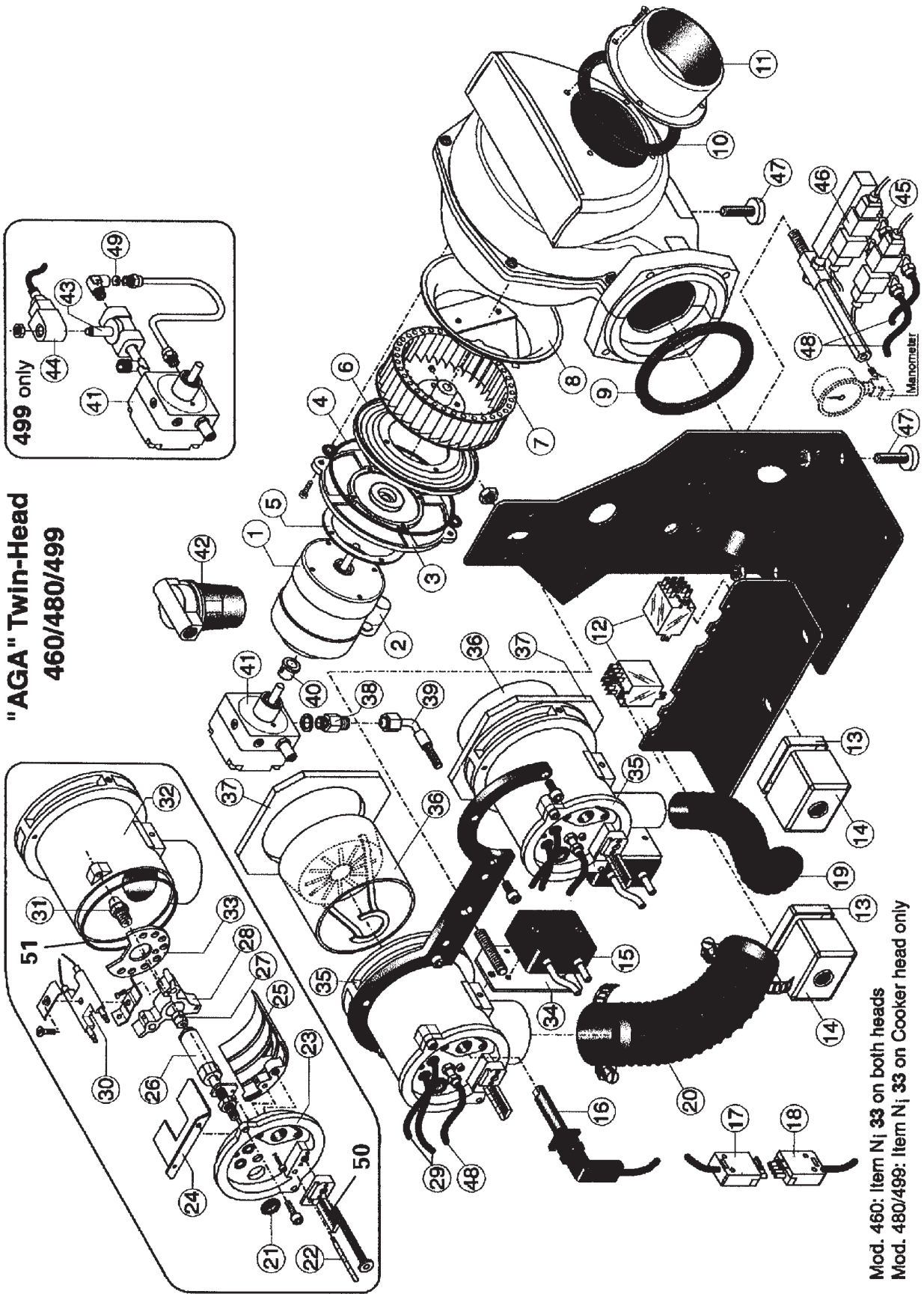
ITEM No.	CAT No.	DESCRIPTION	PRODUCT CODE
	R4741	BURNER ASSEMBLY 460 K/KB	RO4M342452
	R4742	BURNER ASSEMBLY 480 K/KB	RO4M342453
	R4743	BURNER ASSEMBLY 499 K/KB	RO4M342454
1	R4651	MOTOR 130W (M181/32)	RO4M998551
2	R4652	CAPACITOR 3uf (C107/9)	RO4M998552
3	R4653	MOTOR FLANGE (L181/6)	RO4M998553
4	R4654	BLACK 'O' RING (01.04.2106)	RO4M998554
5	R4655	GASKET AIR CONVEYOR TO MOTOR (BGF01005/3)	RO4M998555
6	R4656	AIR CONVEYOR TO MOTOR (BFC08403/001)	RO4M998556
7	R4657	FAN 145 x 30 (460K) (W117/2)	RO4M998557
	R4658	FAN 145 x 50 (480/499K) (W117)	RO4M998604
8	R4659	FAN SCOOP AIR CONVEYOR (BFC08401/001)	RO4M998558
9	R4660	GASKET (BFT11510)	RO4M998559
10	R4661	GASKET AIR INLET (CFG01010)	RO4M998560
11	R4662	FLANGED EXTERNAL AIR INTAKE (CFAO2009/001)	RO4M998561
12	R4663	RELAY FINDER (R733/2)	RO4M998562
13	R4664	CONTROL BOX BASE (3031101)	RO4M998563
14	R4665	CONTROL BOX (03.03.1003) (UP TO M02-138)	RO4M998564
		CONTROL BOX (A156) (FROM M02-158)	RO4M998804
15	R4666	IGNITION TRANSFORMER (2038001)	RO4M998565
16	R4667	PHOTO RESISTOR (A214)	RO4M998566
17	R4668	WIELAND PLUG (27039002)	RO4M998567
18	R4669	WIELAND SOCKET (27039003)	RO4M998568
19	R4670	COOKERS CORRUGATED HOSE (S951/3)	RO4M998569
20	R4671	BOILER CORRUGATED HOSE (S951/4)	RO4M998570
21	R4799	GLASS ASSY (01.04.9554)	RO4M998661
21A	R4673	SIGHT GLASS (STL HEAD) (BFT11506/2)	RO4M998571
21B	R4674	VIEWING WINDOW (STL HEAD) (BFT11506/101)	RO4M998572
22	R4800	INDEX (01.04.9555)	RO4M998662
22A	R4675	INDEX (STL HEAD) (BFT11509/001)	RO4M998573
23	R4801	HEAD HOLDER DISC (01.01.6154)	RO4M998663
23A	R4676	HEAD HOLDER DISC (STL HEAD) (BFT11503)	RO4M998574
24	R4677	FLAP (BFT11504/001)	RO4M998575
25	R4802	AIR DAMPER (BFT11519/2)	RO4M998664
25A	R4678	AIR DAMPER (STL HEAD) (BFT11505/001)	RO4M998576
26	R4679	NOZZLE HOLDER (BFT11507/151)	RO4M998577
27	R4680	CUT-OFF VALVE (2022000)	RO4M998578
28	R4681	NOZZLE HOLDER SUPPORT (BFT11514)	RO4M998579
29	R2369	IGNITION CABLES (01.03.5004)	RO4M999258
30	R2335	IGNITION ELECTRODES (GREL007)	RO4M998464
31	R3770	BOILER NOZZLE (460) (2021554)	RO4M998392
	R3771	BOILER NOZZLE (480) (2021556)	RO4M998394
	R3772	BOILER NOZZLE (499) (2021558)	RO4M998395
	R3773	COOKER NOZZLE (02.02.1550)	RO4M998391
32	R4809	COMB. HEAD HOUSING (B) (BFT11522/2)	RO4M998674
	R4810	COMB. HEAD HOUSING (C) (01.02.2057)	RO4M998675
32A	R4682	COMB. HEAD HOUSING (B) (STL HEAD) (BFT11501/102)	RO4M998584
32B	R4683	COMB. HEAD HOUSING (C) (STL HEAD) (BFT115011/202)	RO4M998585
33	R4684	COOKER REAR DISC (BFD01012/001)	RO4M998586
34	R4803	SUPPORT IGNITION TRANSFORMER (BFT11521/001)	RO4M998666
35	R4804	BOILER INNER ASSY (GRTT0100/910)	RO4M998667
35A	R4685	BOILER INNER ASSY (STL HD) (GRTT0100/910)	RO4M998587
35B	R4686	COOKER INNER ASSEMBLY (GRTT0100/900)	RO4M998588
36	R4687	BLAST TUBE - BOILER (460) (BFB01104/002)	RO4M998589
	R4688	BLAST TUBE - BOILER (480) (BFB01014/002)	RO4M998580
	R4689	BLAST TUBE - BOILER (499) (BFB01052/103)	RO4M998581
	R4805	COOKER BLAST TUBE (BFB01009/2)	RO4M998668
37	R4806	GASKET - FLAME TUBE (Y105)	RO4M998669

**ECOFLAM TWIN HEAD BURNER
460/480/499KB (E)**

JULY 2004

ITEM No.	CAT No.	DESCRIPTION	PRODUCT CODE
38	R4692	NIPPLE (BFB01103/001)	RO4M998592
39	R4693	HOSES (S952/13)	RO4M998593
40	R4694	COUPLING (TWIN HEAD) (MP504)	RO4M998594
41	R4695	PUMP (BFP10R3) (2020000)	RO4M998595
42	R4696	OIL FILTER (01.02.9005)	RO4M998596
43	R4697	OIL VALVE (PARKER) (S117/8)	RO4M998599
44	R4698	COIL (PARKER) (V175/8)	RO4M998598
45	R4697	OIL VALVE (PARKER) (V516/4)	RO4M998599
46	R4698	COIL (PARKER) (01.02.5002)	RO4M998598
47	R4699	ANTI-VIBRATION DAMPER (E538/1)	RO4M998601
48	R4700	HIGH PRESSURE HOSES (S591/5)	RO4M998582
49	R4807	OIL OREFICE (499 ONLY) (P121/81)	RO4M998670
50	R4798	INDEX BLOCK (BFT11522/2)	RO4M998673
51	R4808	BLACK 'O' RING FOR COMB HEAD (Y601/41)	RO4M998671
		NOT SHOWN:	
	R4613	KIT FOR TWIN PIPE SYSTEMS WITH THE FOLLOWING COMPONENTS	RO9M998550
		INSTRUCTIONS - TWIN PIPE	EINS 512015
	R4693	FLEXI HOSE 1m LG (HOOKED END)	RO4M998593
	R4692	NIPPLE	RO4M998592
	R4650	WASHER BULKHEAD FITTING	JWSR500360
	R3803	BULKHEAD CONNECTOR	RO4M342161
	R3989	90° ELBOW (MG 22.10.242)	RO4M342292
	R4062	WASHER - SEALING	RO4M342361
		NOTE:	
		ITEMS WITH (STL HEAD) IN THE DESCRIPTION ARE NOT SHOWN ON THE EXPLODED DRAWING.	

**"AGA" Twin-Head
460/480/499**



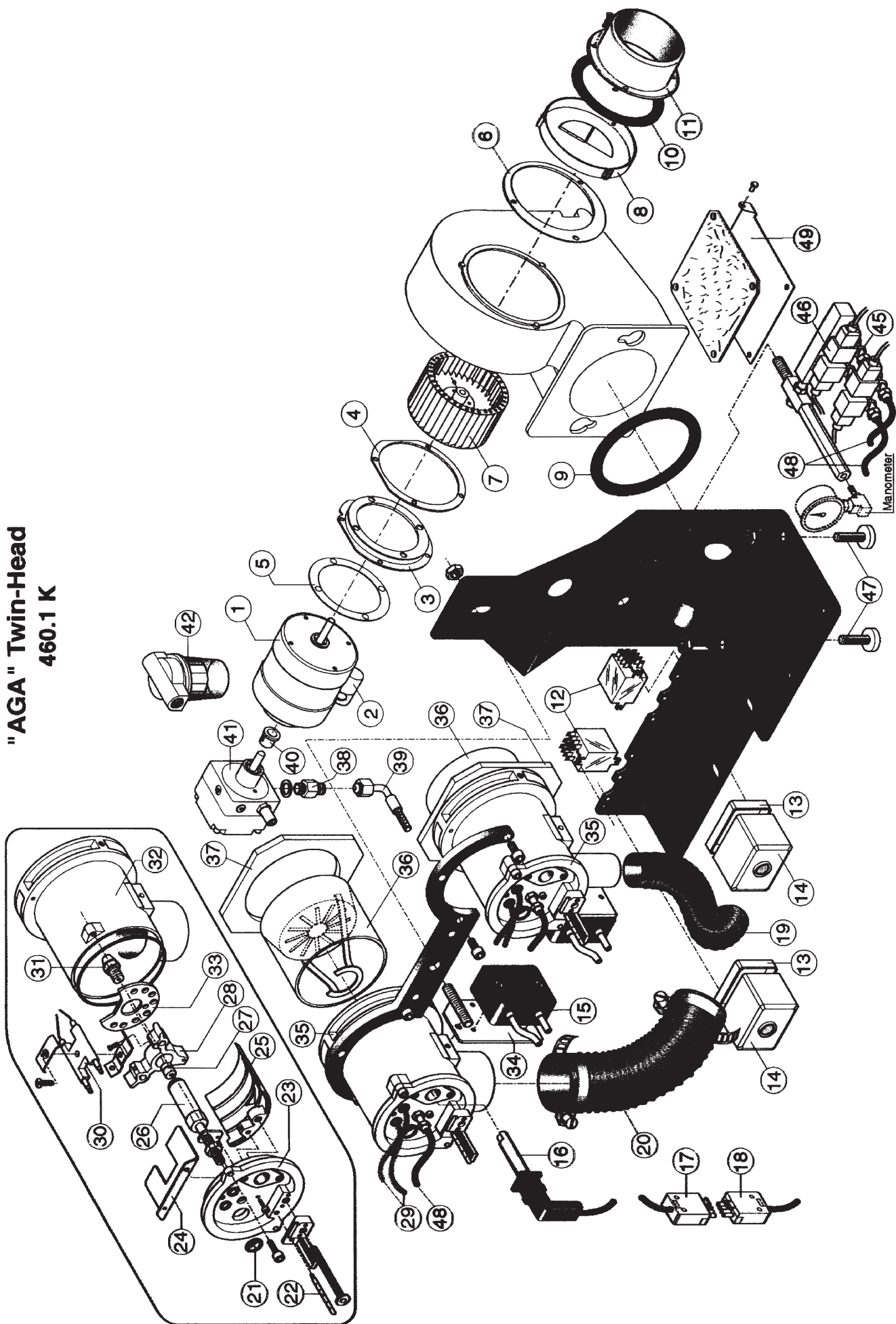
Mod. 460: Item Nj 33 on both heads
 Mod. 480/499: Item Nj 33 on Cooker head only

**ECOFLAM TWIN HEAD BURNER
460KB BURNER (E) - FROM SERIAL NO 1000003211**

APRIL 2010

ITEM No.	CAT No.	DESCRIPTION	ECOFLAM CODE	PRODUCT CODE
1	R5322	BURNER ASSEMBLY - 460KB		RO4M342568
2	R4653	MOTOR 90W (M181/21)	65322870	RO4M998929
3		CAPACITOR 3UF (C107/9)	65321857	RO4M998552
4	R5796	FLANGE (BFFO3005/001)	65320989	RO4M998930
5	R4655	BLACK 'O' RING (BFG01025)	65321039	RO4M998931
6		GASKET AIR - CONVEYOR TO MOTOR (L181/16)	65321041	RO4M998553
7	R5323	GASKET (BFG01005/2)	65321040	RO4M998932
8		FAN 093 x 43 (BFV10001/001)	65321761	RO4M998933
9		FAN SCOOP AIR CONVEYOR (GRMP002)	65322339	RO4M998934
10		GASKET (BFG02008/3)	65321079	RO4M998935
11		GASKET (BFG01005/9)	65321044	RO4M998936
12	R4663	FLANGED EXTERNAL AIR INTAKE (BFC03062/001)	65324272	RO4M998937
13	R4664	RELAY FINDER (R733/2)	65323144	RO4M998562
14	R4929	CONTROL BOX BASE	65320101	RO4M998563
15	R4666	CONTROL BOX (A156)	65320060	RO4M998804
16	R4667	IGNITION TRANSFORMER	65323257	RO4M998565
17	R4668	PHOTO RESISTOR	65320083	RO4M998566
18	R4669	WIELAND PLUG	65322064	RO4M998567
19	R4670	WIELAND SOCKET	65322067	RO4M998568
20	R4671	COOKER CORRUGATED HOSE (S951/3)	65320508	RO4M998569
21	R4799	BOILER CORRUGATED HOSE (S951/4)	65323205	RO4M998570
22	R4800	GLASS ASSEMBLY	65322585	RO4M998661
23	R4801	INDEX	65321578	RO4M998662
24	R4677	HEAD HOLDER DISC	65321582	RO4M998663
25	R4802	FLAP (BFT11504/001)	65321575	RO4M998575
26	R4679	AIR DAMPER (BFT11519/2)	65324115	RO4M998664
27	R4680	NOZZLE HOLDER (BFT11507/151)	65321576	RO4M998577
28	R4681	CUT-OFF VALVE (V195)	65323673	RO4M998578
29	R2369	NOZZLE HOLDER SUPPORT (BFT11514)	65321581	RO4M998579
30	R5161	IGNITION CABLES	65320938	RO4M999258
31	R3770	IGNITION ELECTRODE SET (BFE01102)	65320921	RO4M998938
32		BOILER NOZZLE (U1035/60H)	65323298	RO4M998392
		COOKER NOZZLE (U1035/80S)	65323272	RO4M998940
	R4809	BOILER HEAD HOLDER PIPE (BFT11522/2)	65321585	RO4M998674
	R4810	COOKER HEAD HOLDER PIPE	65324119	RO4M998675
	R4684	BOILER & COOKER REAR DISC (BFD01012/001)	65320723	RO4M998586
	R4803	SUPPORT IGNITION TX (BFT11521/001)	65321584	RO4M998666
		BOILER INNER ASSY (GRTO100/905)	65324276	RO4M998941
	R4686	COOKER INNER ASSY (GRTO100/900)	65322530	RO4M998588
	R4687	BOILER BLAST TUBE (BFB01104/051)	65320285	RO9M998589
	R4805	COOKER BLAST TUBE (BFB01009/2)	65320261	RO9M998668
	R4806	GASKET (Y105)	65323875	RO4M998669
	R4692	NIPPLE (BFR01103/001)	65321179	RO4M998592
	R4693	HOSES (S952/13)	65323214	RO4M998593
	R4694	COUPLING (MP504)	65322924	RO4M998594
	R4695	PUMP MOTOR (BFP10B3)	65322973	RO4M998595
	R4696	OIL FILTER (S117/81)	3142044	RO4M998596
	R4697	OIL VALVE PARKER (V175/8)	65323630	RO4M998599
	R4698	COIL PARKER (V516/4)	65323779	RO4M998598
	R4699	ANTI-VIBRATION DAMPER	65322152	RO4M998601
	R4700	HOSES (S951/5)	65323206	RO4M998582
		COVER (BFC09014/017)	65324273	RO4M998943

**"AGA" Twin-Head
460.1 K**



**ECOFLAM TWIN HEAD BURNER
480KB FROM SERIAL NO. 0900035705**

**APRIL 2010
499KB FROM SERIAL NO. 0900035706**

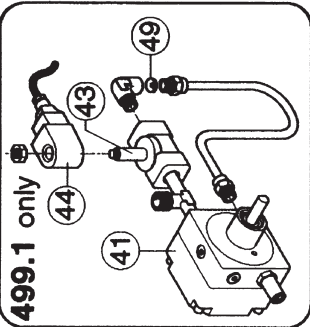
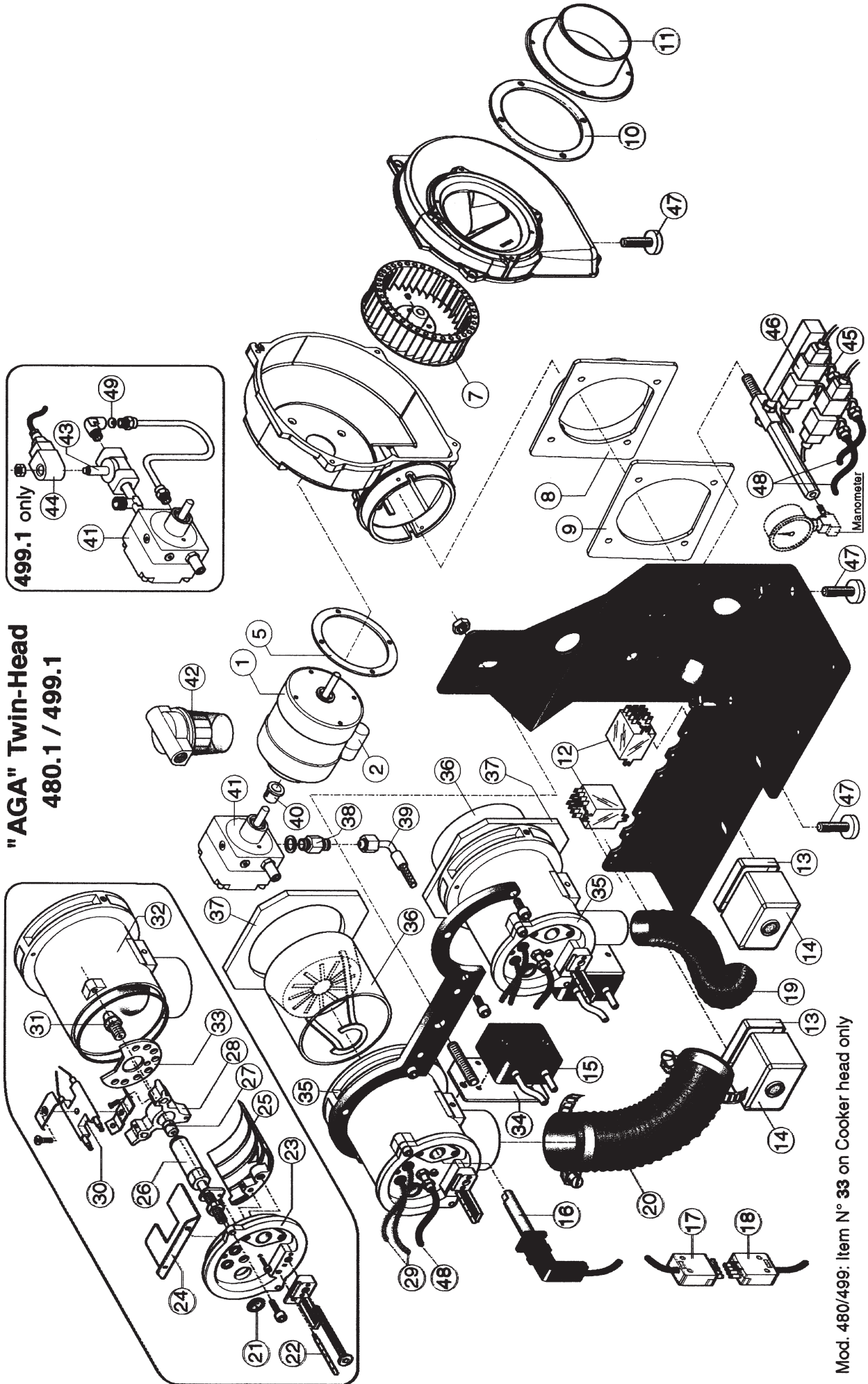
ITEM No.	CAT No.	DESCRIPTION	ECOFLAM CODE	PRODUCT CODE
	R4742	BURNER ASSEMBLY 480 KB		RO4M342453
	R4743	BURNER ASSEMBLY 499 KB		RO4M342454
1	R4651	MOTOR 130W (M181/32)	65322873	RO4M998551
2	R4652	CAPACITOR 3uf (C107/9)	65321857	RO4M998552
3	R4653	MOTOR FLANGE (L181/16)	-	RO4M998553
4	R4654	BLACK 'O' RING (01.04.2106)	-	RO4M998554
5	R4655	GASKET AIR CONVEYOR TO MOTOR (BFG01005/3)	65321041	RO4M998555
6	R4656	AIR CONVEYOR TO MOTOR (BFC08403/001)	-	RO4M998556
7	R5444	FAN 145 x 50 (480/499K) (W117)	65321770	RO4M997392
8		FLANGE	65324274	TBA
9		GASKET	65324275	TBA
10		GASKET AIR INLET	65321044	TBA
11		FLANGED EXTERNAL AIR INTAKE	65320526	TBA
12	R4663	RELAY FINDER (R733/2)	65323144	RO4M998562
13	R4664	CONTROL BOX BASE (3031101)	65320101	RO4M998563
14	R4929	CONTROL BOX (A156)	65320060	RO4M998804
15	R4666	IGNITION TRANSFORMER (2038001)	65323257	RO4M998565
16	R4667	PHOTO RESISTOR (A214)	65320083	RO4M998566
17	R4668	WIELAND PLUG (27039002)	65322064	RO4M998567
18	R4669	WIELAND SOCKET (27039003)	65322067	RO4M998568
19	R4670	COOKERS CORRUGATED HOSE (S951/3)	65320508	RO4M998569
20	R4671	BOILER CORRUGATED HOSE (S951/4)	65323205	RO4M998570
21	R4799	GLASS ASSY (01.04.9554)	65322585	RO4M998661
21A	R4673	SIGHT GLASS (STL HEAD) (BFT11506/2)		RO4M998571
21B	R4674	VIEWING WINDOW (STL HEAD) (BFT11506/101)		RO4M998572
22	R4800	INDEX (01.04.9555)	65321578	RO4M998662
22A	R4675	INDEX (STL HEAD) (BFT11509/001)		RO4M998573
23	R4801	HEAD HOLDER DISC (01.01.6154)	65321582	RO4M998663
23A	R4676	HEAD HOLDER DISC (STL HEAD) (BFT11503)		RO4M998574
24	R4677	FLAP (BFT11504/001)	65321575	RO4M998575
25	R4802	AIR DAMPER (BFT11519/2)	65324115	RO4M998664
25A	R4678	AIR DAMPER (STL HEAD) (BFT11505/001)		RO4M998576
26	R4679	NOZZLE HOLDER (BFT11507/151)	65321576	RO4M998577
27	R4680	CUT-OFF VALVE (2022000)	65323673	RO4M998578
28	R4681	NOZZLE HOLDER SUPPORT (BFT11514)	65321581	RO4M998579
29	R2369	IGNITION CABLES (01.03.5004)	65320938	RO4M999258
30	R2335	IGNITION ELECTRODES (GREL007)	65320921	RO4M998464
31	R3771	BOILER NOZZLE (480) (2021556)	65323317	RO4M998394
	R3772	BOILER NOZZLE (499) (2021558)		RO4M998395
	R3773	COOKER NOZZLE (02.02.1550)	65323272	RO4M998391
32	R4809	COMB. HEAD HOUSING (B) (BFT11522/2)	65321585	RO4M998674
	R4810	COMB. HEAD HOUSING (C) (01.02.2057)	65324119	RO4M998675
32A	R4682	COMB. HEAD HOUSING (B) (STL HEAD) (BFT11501/102)		RO4M998584
32B	R4683	COMB. HEAD HOUSING (C) (STL HEAD) (BFT11501/202)		RO4M998585
33	R4684	COOKER REAR DISC (BFD01012/001)	65320723	RO4M998586
34	R4803	SUPPORT IGNITION TRANSFORMER (BFT11521/001)	65321584	RO4M998666
35	R4804	BOILER INNER ASSY (GRTT0100/910)	65322531	RO4M998667
35A	R4685	BOILER INNER ASSY (STL HD) (GRTT0100/910)		RO4M998587
35B	R4686	COOKER INNER ASSEMBLY (GRTT0100/900)	65322530	RO4M998588
36	R4688	BLAST TUBE - BOILER (480) (BFB01014/002)	65320263	RO9M998580
	R4689	BLAST TUBE - BOILER (499) (BFB01052/103)		RO4M998581
	R4805	COOKER BLAST TUBE (BFB01009/2)	65320261	RO9M998668
37	R4806	GASKET - FLAME TUBE (Y105)	65323875	RO4M998669

**ECOFLAM TWIN HEAD BURNER
480K FROM SERIAL NO. 0900035705**

**APRIL 2010
499K FROM SERIAL NO. 0900035706**

ITEM No.	CAT No.	DESCRIPTION	ECOFLAM CODE	PRODUCT CODE
38	R4692	NIPPLE (BFB01103/001)	65321179	RO4M998592
39	R4693	HOSES (5952/13)	65323214	RO4M998593
40	R4694	COUPLING (TWIN HEAD) (MP504)	65322924	RO4M998594
41	R4695	PUMP (BFP10R3) (2020000)	65322973	RO4M998595
42	R4696	OIL FILTER (S117/8)	3142043	RO4M998596
43	R4697	OIL VALVE (PARKER) (V175/8)	65323630	RO4M998599
44	R4698	COIL (PARKER) (V516/4)	65323779	RO4M998598
45	R4697	OIL VALVE (PARKER) (01.02.5004)	65323630	RO4M998599
46	R4698	COIL (PARKER) (01.02.5002)	65323779	RO4M998598
47	R4699	ANTI-VIBRATION DAMPER (E538/1)	65322152	RO4M998601
48	R4700	HIGH PRESSURE HOSES (S951/5)	65323206	RO4M998582
49	R4807	OIL OREFICE (499 ONLY) (P121/81)	65322974	RO4M998670

**"AGA" Twin-Head
480.1 / 499.1**

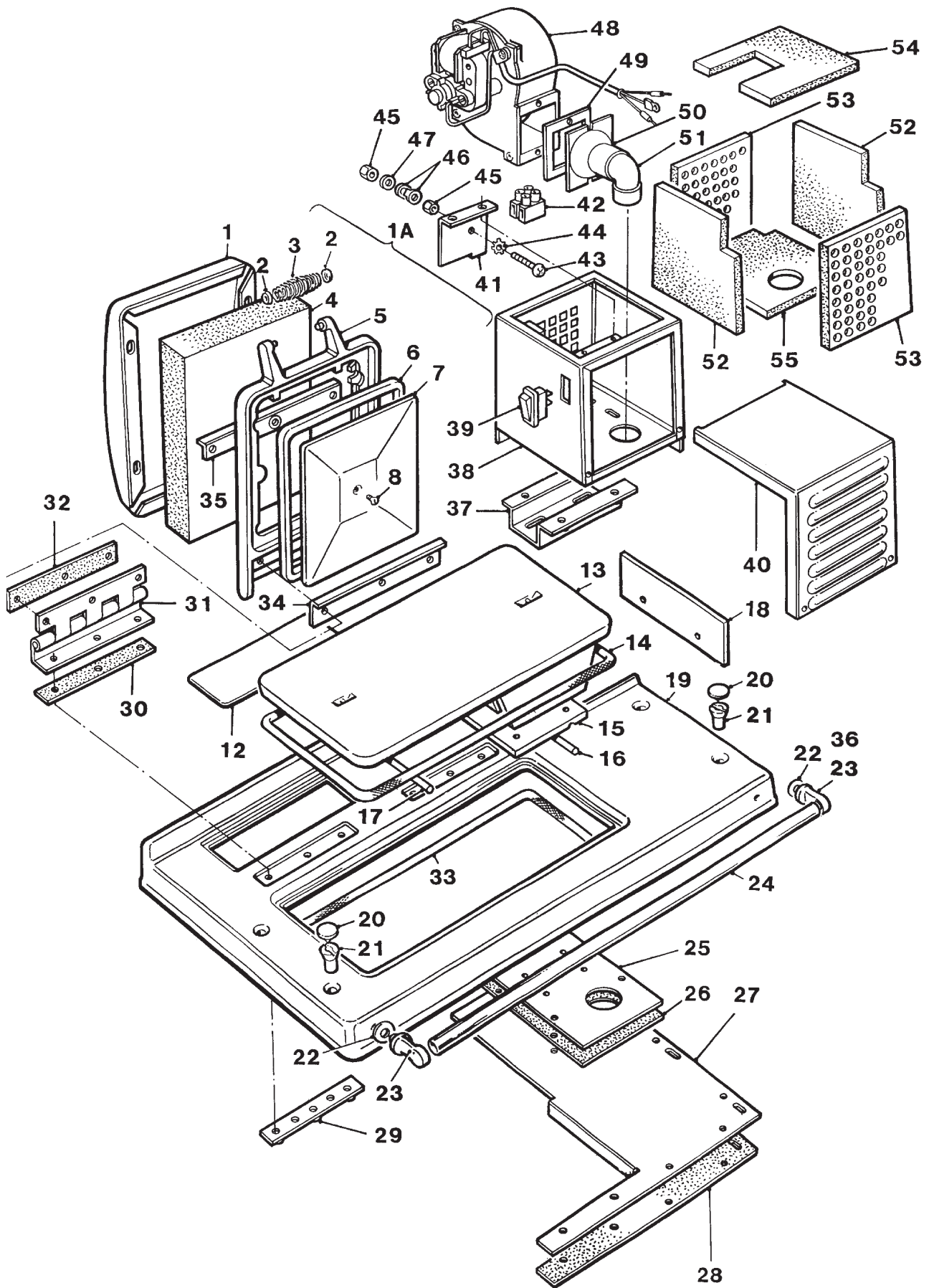


Mod. 480/499: Item N° 33 on Cooker head only

**RAYBURN 440/460/480/499 KB (BALANCED FLUE) (E) Serial Numbers Prefixed MX
Hob, Insulating Covers and Fan Housing**

JANUARY 2006

ITEM No.	CAT No.	DESCRIPTION	PRODUCT CODE
1	R4566	INSULATING COVER	RO2M342347
1A	R4567	INSULATING COVER ASSY	RG1M313527
2	R3029	CUP - COIL HANDLE	RO4M340521
3	R3028	HANDLE - COIL	RO4M340522
4	R2767	INSULATING PAD	JPAD340307
5	R4565	INSULATING COVER BASE	RO5E342348
6	R3457	INSULATING LID SEAL	JMAR340790
7	R1614	INSULATING LID LINING	RO2E340773
8		SCREW 1/4" BSW C/P	KRCK50372
12	R1786	HOB PLATE FILLER PLATE	RS5E3-15918
13	R4017	HOTPLATE	RO1M342245
14	R1038	ROPE 13" DIA x 1600 LG	JTHR20389X1.6M
15	R2706	BAFFLE HOTPLATE	RO5M342461
16	R3818	ROPE 25 DIA x 240 LG	JCRP342247
17	R3819	ROPE 13 DIA x 240 LG	JTHR342246
18	R3820	BAFFLE	RO2M342130
19		HOB PLATE	RO5E342371
20	R4560	CORNER STAY BUTTON	RO4M342271
21	R4561	CORNER STAY NUT	RO4M342270
22	A1472	WASHER - HANDRAIL BRACKET	JWSR313206
23	A1744	HANDRAIL BRACKET	AS9M3-9124COMP
24	R1723	HANDRAIL	RO4M340837
25		SEALING PLATE	RO2M342304
26		GASKET - SEALING PLATE	JGSG342303
27		HOB PROTECTOR PLATE	RO2M342302
28		GASKET - HOB PROTECTOR PLATE	JGSG342301
29		TAPPING PLATE	RO2M342370
30	R4562	HINGE GASKET	JGSG342369
31	R4563	HINGE LID - (PLATED)	RO4M342364
32	R4980	HINGE GASKET - TOP	JGSG342404
33	R1038	ROPE 13" DIA x 1600 LG	JTHR20389X1.6M
34	R4564	HINGE COVER	RO2M342387
35		INS COVER INNER FIXING BRACKET	RO2M342362
36	R2975	VINYL END CAP	AG4M210660
37		BRACKET - FAN SHROUD SUPPORT	RO2M340566
38	R3468	FAN SHROUD ASSEMBLY	RO2V340440
39	R3447	SWITCH C1400XT 10A/250 VOLT	RO4M340778
40	R3697	FAN SHROD - TOP/FRONT	RO2V340441
41	R3441	BRACKET - FAN SHROUD	RO2M340720
42	A2471	TERMINAL BLOCK	AE4M45669
43	A2473	SCREW M5 x 25 POZ PAN HD	KPAN52590
44	R3454	WASHER M5 SHAKEPROOF	KWSR53611
45	A2472	NUT M5 HEX FULL - BRASS	KNUT52909
46	R3455	WASHER M5 CLAMP - CU.R/240004	KWSR53499
47	R3456	WASHER M5 PLAIN BRASS	KWSR53600
48	A2326	FAN - OVEN VENT WFB1602-0152	AG4M210083
49	R3438	GASKET - VENT FAN	JGSG340524
50	R3439	VENT FAN DUCT	RO4M340454
51	R3440	ELBOW - 28mm M/F COPPER	RO4M340789
	R4614	INSULATION - F/SHROUD SIDES	RO4M340924
52		(INCLS ITEMS 52-55)	
53		INSULATION - F/SHROUD FRONT/BACK	RO4M340924
54		INSULATION - F/SHROUD TOP	RO4M340924
55		INSULATION - F/SHROUD BASE	RO4M340924

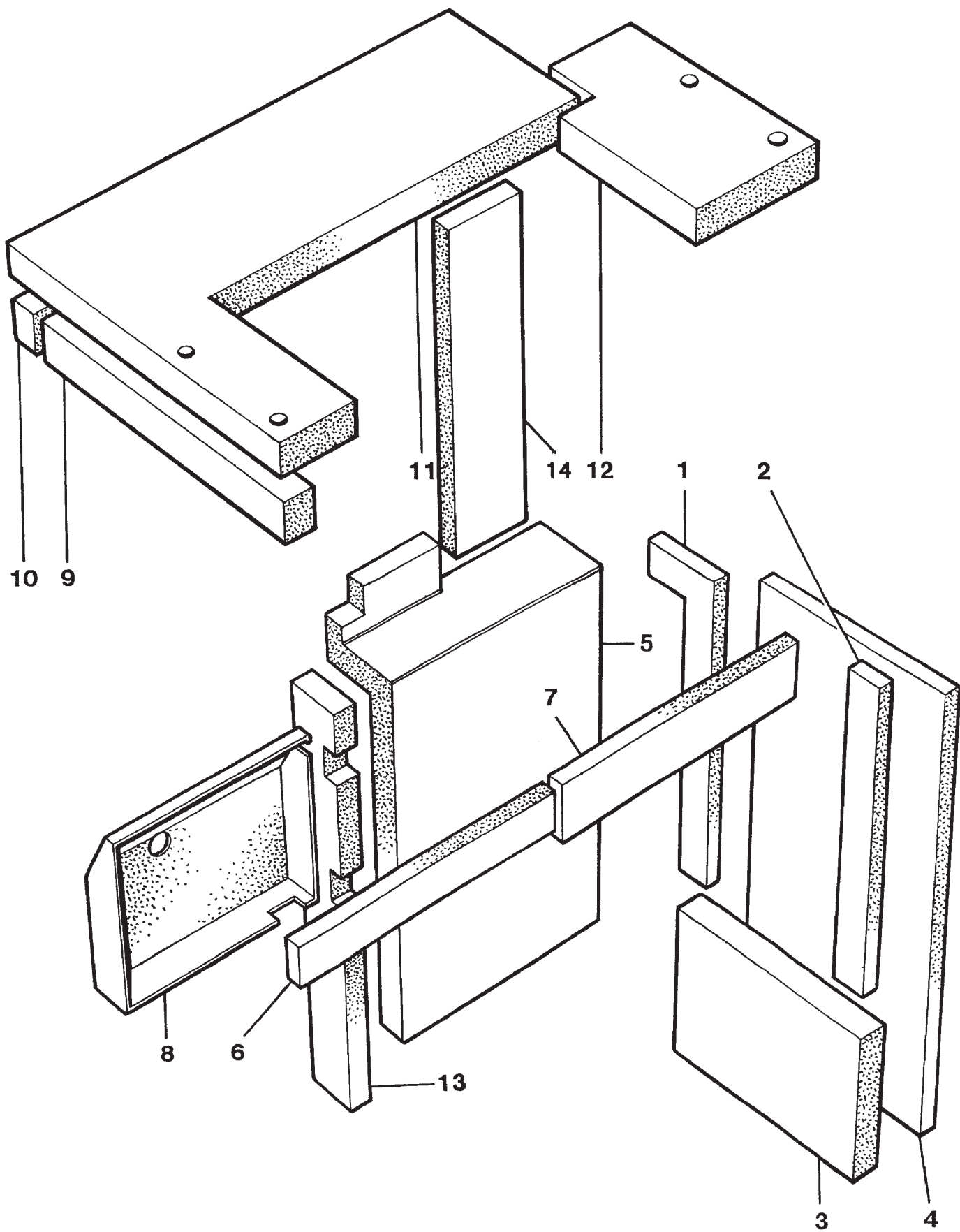


**RAYBURN 440, 460, 480, 499KB (E)
HOB, INSULATING COVERS AND TOP PLATE**

**RAYBURN 440/460/480/499 KB (BALANCED FLUE) (E) Serial Numbers Prefixed MX
INSULATION**

SEPTEMBER 2004

ITEM No.	CAT No.	DESCRIPTION	PRODUCT CODE
1	R3827	INSULATION - RIGHT HAND	JPAD342025
2	R3828	INSULATION - RIGHT HAND	JPAD342023
3	R3829	INSULATION - RIGHT HAND	JPAD342024
4	R3830	INSULATION - RIGHT HAND	JPAD342020
5		INSULATION - OVEN BACK	JPAD342309
6	R3832	INSULATION - HOB LEFT HAND FRONT	JPAD342053
7	R3834	INSULATION - HOB RIGHT HAND FRONT	JPAD342198
8	R3835	INSULATION - FACIA	JPAD342211
9	R3836	INSULATION - HOB LEFT HAND SIDE	JPAD342052
10		INSULATION - HOB REAR	JPAD342312
11	R3838	INSULATION - HOB TOP	JPAD342054
12	R3839	INSULATION - HOB SQUARE	JPAD342055
13		INSULATION - FIREBOX SIDE REAR	JPAD342324
14		INSULATION - BLANKET	JPAD342450



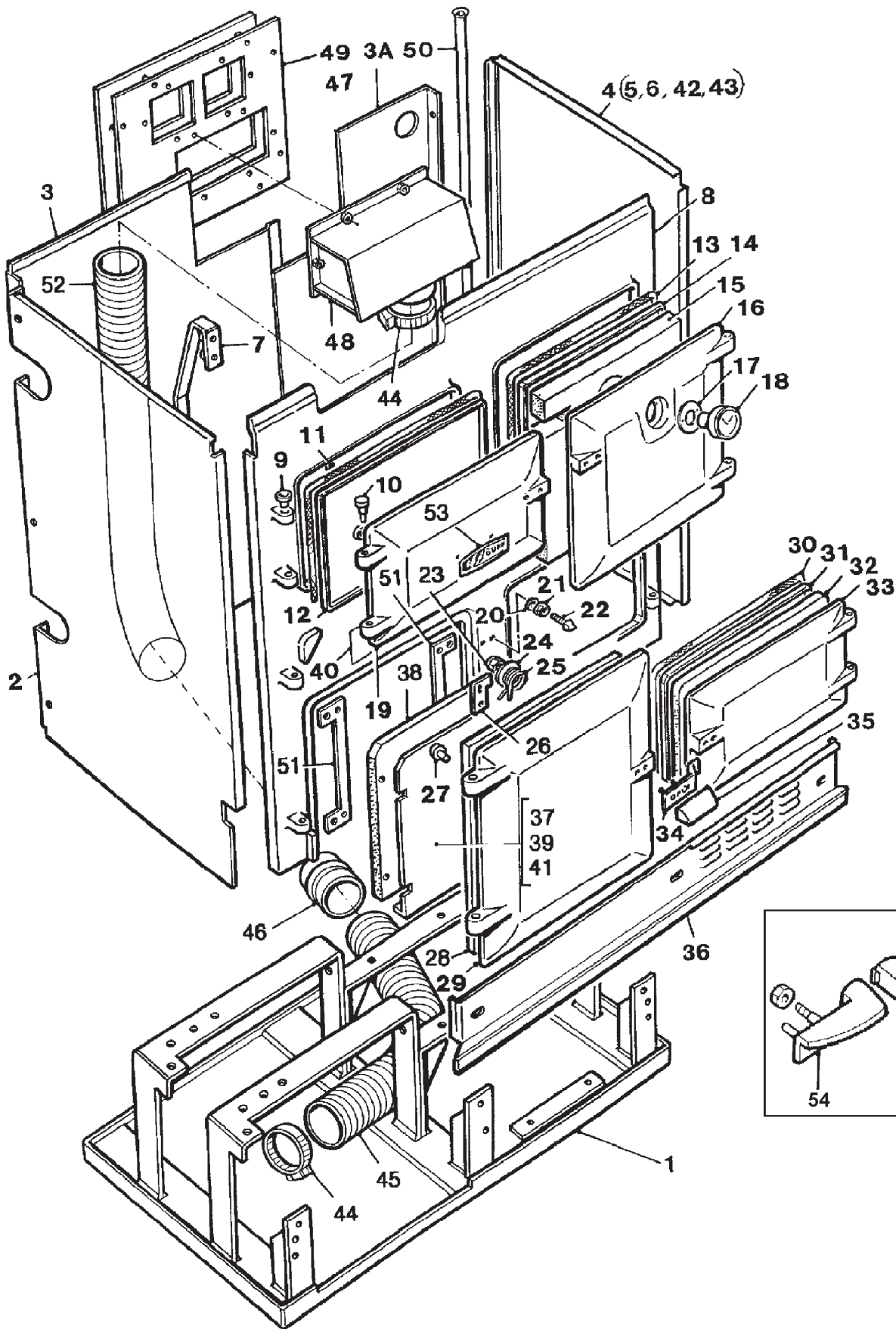
**RAYBURN 440, 460, 480, 499KB (E)
INSULATION**

RAYBURN 440/460/480/499 KB (BALANCED FLUE) (E) Serial Numbers Prefixed MX
Front Plate, Doors and Side Panels **SEPTEMBER 2004**

ITEM No.	CAT No.	DESCRIPTION	PRODUCT CODE
1	R3799	BASE PLATE ASSEMBLY	RO2V342086
2	R3800	LEFT HAND SIDE PANEL	RO2V342201
3	R4862	BACK PANEL - L/HAND	RO2M342307
3a	R4154	BACK PANEL - R/HAND	RO2M342308
4	R3802	RIGHT HAND SIDE PANEL	RO2V342202
5	R2709	GROMMET	AO4M31370
6	R4179	GROMMET REEVITE 15 O/D	RO4M342375
7	R4070	BRACKET ASSEMBLY (FACIA INS)	RO2M342367
8		FRONT PLATE	RG5E313465
9	R2759	BUSH - DOOR HINGE	RO4M340226
10	R2633	DOOR HINGE PIN	RO4M340227
11	R2639	SEAL - CONTROL ACCESS DOOR	JMAR340257
12	R3460	CONTROL DOOR LINING PANEL	RO2M342366
13	R2642	SEAL - TOP OVEN DOOR	JMAR340255
14	R3459	LINING PANEL - TOP OVEN DOOR	RO2M340471
15	R2986	PAD - INSULATION	JPAD340465
16	R2619	TOP OVEN DOOR - ENAMELLED	RO5E340138
17	R2768	GASKET - THERMODIAL	JGSG340280
18	R2676	OVEN THERMODIAL BI-METAL ROUND	RO4T340295
19	R2617	OUTER CONTROL DOOR ONLY - ENAMELLED	RO5E340106
20	R2755	WASHER - DOOR KEEP AF2200	JWSR340334
21	R2754	LOCKNUT M8 Z/P (CLEVELOCK)	KNUT500260
22	R2753	DOOR KEEP	RO4M340185
23	R3417	M8 LOCKNUT (NYLON INSERT) ZP	KNUT500327
24	R2758	WASHER - SPRING RETAINING	KWSR340298
25	R2757	SPRING - DOOR CATCH	RO4M340297
26	R2752	BRACKET - DOOR STOP CATCH	RO2M340349
27	R3807	DOOR BUFFER	RO4M341031
28	R3808	PANEL - DOOR LINING	RO2M341018
29	R2618	OUTER BURNER DOOR ONLY - ENAMELLED	RO5E340107
30	R2641	SEAL - SIMMERING OVEN DOOR	JMAR340256
31	R2974	LINING PANEL - SIMMERING OVEN DOOR	RG2M313313
32	R2975	PAD INSULATION	JPAD340466
33	R2614	OVEN DOOR ONLY (SIM.) - ENAMELLED	RO5E340137
34	R2800	DOOR CATCH - BURNER/CONTROL DOOR	RO9M340278COMP
34A	R2636	DOOR CATCH - OVEN DOORS	RO9M340181COMP
35	R2061	DOOR HANDLES - UP TO M01-133	RO4M340543
36	R3809	PLINTH	RO2V342204
37		FRONT SEALING PLATE	RO2V340953
38		FRONT SEALING GASKET	JGSG340955
39		WIRING DATA LABEL	EGLL511572
40a		DATA PLAQUE (460KB)	RO4M342442
40b		DATA PLAQUE (480KB)	RO4M342443
40c		DATA PLAQUE (499KB)	RO4M342444
41		LIGHTING INSTRUCTIONS	EGLL512022
42	R3803	BULKHEAD CONNECTOR	RO4M342161
43		WASHER - BULKHEAD CONNECTOR	JWSR500360
44	R4608	SINGLE SEAL CLIP (REGA)	KCLP500389
45	R4744	BURNER AIR INLET DUCT	RO4M342448
46	R4745	ADAPTER TUBE	RO4M342449
47	R4004	GASKET - SEALING PLATE	JGSG342343
48		AIR INLET ADAPTOR BOX	RO1M342438
49	R3466	SEALING PLATE - COOKER/TERMINAL	RO2M340723
49A		GASKET SEALING PLATE (2-OFF) M01-151	JGSG342487

RAYBURN 440/460/480/499 KB (BALANCED FLUE) (E) Serial Numbers Prefixed MX
Front Plate, Doors and Side Panels **SEPTEMBER 2004**

ITEM No.	CAT No.	DESCRIPTION	PRODUCT CODE
50		CABLE SUPPORT TUBE	RO4M342305
51		BURNER SEALING PLATE FIXING STRAP	RO2M341059
52	R4607	AIR TUBE	RO4M342316
53	R4912	NAME BADGE 'RAYBURN'	RG4M313791
55	R4872	RH DOOR HANDLE - FROM M01-133	RO4M341350
	R4871	RH DOOR CATCH ASSY - FROM M01-133	RO9M998715COMP
54	R4873	LH DOOR HANDLE - FROM M01-133	RO4M341352
	R4870	LH DOOR CATCH ASSY - FROM M01-133	RO9M998714COMP

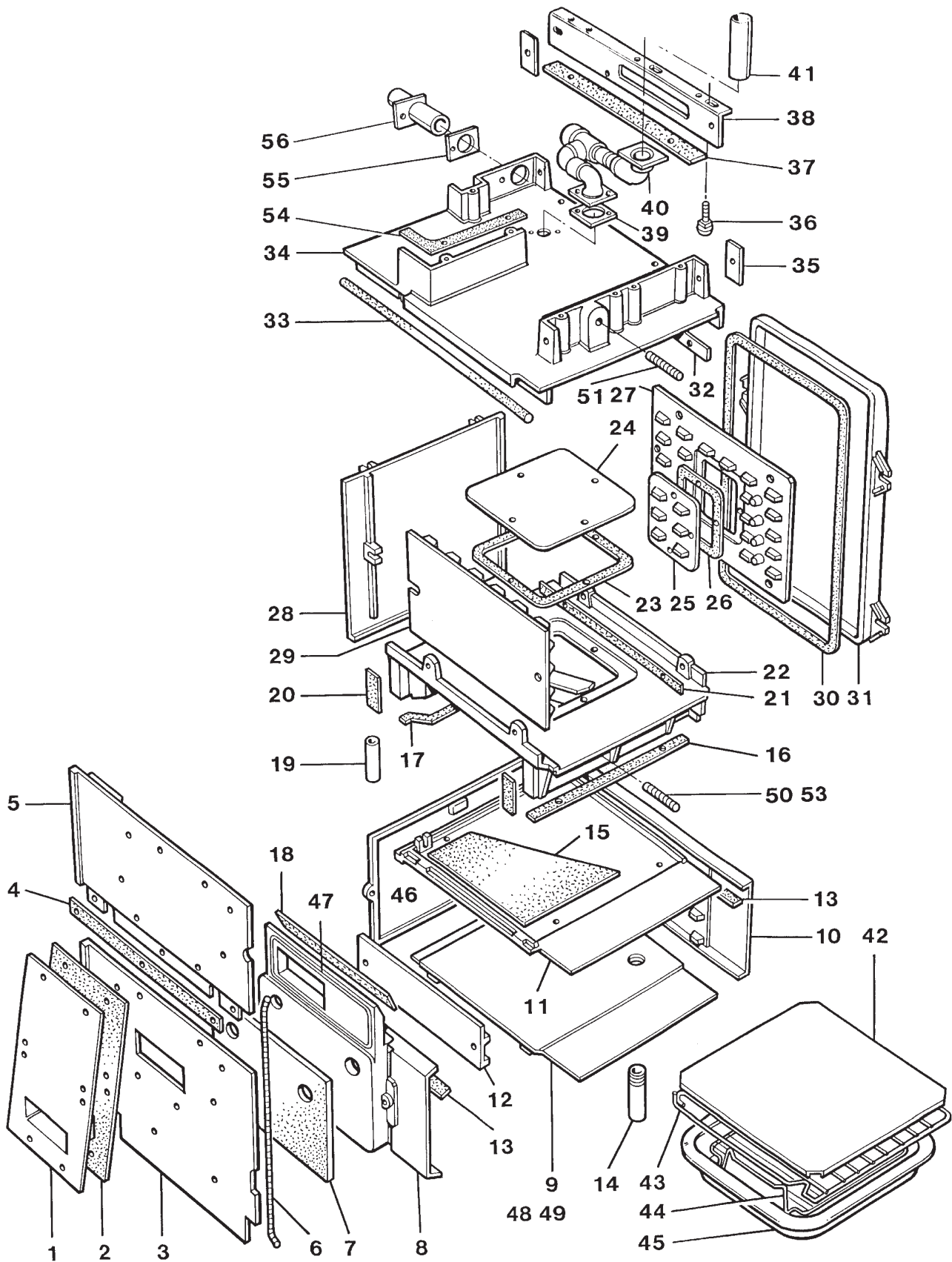


**RAYBURN 440, 460, 480, 499KB (E)
FRONT PLATE, DOORS AND SIDE PANELS**

**RAYBURN 440/460/480/499 KB (BALANCED FLUE) (E) Serial Numbers Prefixed MX
Firebox Side and Ovens Assembly**

MAY 2005

ITEM No.	CAT No.	DESCRIPTION	PRODUCT CODE
1	R3840	PROTECTOR PLATE - FIREBOX SIDE	RO1M342030
	R4537	FIREBOX SIDE PROTECTOR KIT - (UP TO M01-136)	RO9M342030
	R4891	FIREBOX SIDE PROTECTOR KIT - (FROM M01-136B)	RO9M998727
2	R3841	GASKET FIREBOX SIDE PROTECTOR PLATE	JGSG342031
3		FIREBOX SIDE - BOTTOM	RO5M342005
4	R3413	FIREBOX SIDE GASKET	JGSG340784
5	R3843	FIREBOX SIDE - TOP	RO5M342007
6		ROPE No. 4 x 500 LONG	JTHR20389
7	R3844	INSULATION PAD L/HAND SIDE SIM. OVEN	JPAD340826
8	R3845	L/HAND SIDE - SIMMERING OVEN	RO5M342009
9	R3846	BASE PLATE - SIMMERING OVEN	RO5M342075
10	R3847	R/H SIDE - SIMMERING OVEN	RO5M342065
11		TOP PLATE - SIMMERING OVEN	RO5M342077
12	R2540	REM L/H - SIMMERING OVEN	RG5M310005
13	R3334	GASKET	JGSG340542
14	R2789	OVEN VENT PIPE - SIMMERING OVEN BASE	RO4M340311
15	R3849	INSULATION OVEN FLUEWAY	JPAD342235
16	R3331	GASKET R/H FLUE FEATHER	JGSG340553
17	R3346	GASKET L/H FLUE FEATHER	JGSG340555
18	R3340	GASKET TOP L/HAND	JGSG340556
19	R2788	VENT PIPE - SIMMERING OVEN/TOP OVEN	RO4M340310
20	R3344	GASKET - UP TO M02-013	JGSG340554
21	R3325	GASKET - TOP OVEN R/H SIDE	JGSG340557
22	R3850	BASE PLATE - TOP OVEN	RO5M342022
23	R2770	GASKET - ACCESS DOOR TOP OVEN BASE	JGSG340262
24	R3851	ACCESS DOOR - TOP OVEN BASE	RO5M342178
25	R2604	ACCESS DOOR - TOP OVEN R/H SIDE	RO5M340259
26	R2605	GASKET - ACCESS DOOR TOP OVEN R/H SIDE	JGSG340260
27	R3852	R/HAND SIDE - TOP OVEN	RO5M342079
28	R3853	BACK PLATE - TOP OVEN	RO5M342081
29	R4128	REM. L/H TOP OVEN SIDE	RG5M341249
30	R3854	GASKET R/H DUCT	JGSG342126
31	R3855	RIGHT HAND DUCT	RO5M342084
32	R3325	GASKET R/H SIDE - TOP OVEN	JGSG340557
33		ROPE 10 DIA x 455 LONG	JCRP342282
34		TOP PLATE - TOP OVEN	RO5M342310
35	R3857	GASKET - R/H FLUE FEATHER	JGSG342183
36		M10 x 25 COACHBOLT	KMIS342281
37	R3858	GASKET R/H FLUE FEATHER	JGSG342182
38	R3859	R/HAND FLUE FEATHER	RO2M342173
39	R2966	GASKET - TOP OVEN VENT	RG4M30413
40	R3405	VENT FAN PIPE ASSEMBLY	RO4M340453
41	R3400	VENT PIPE EXTENSION	RO4M340777
42	R1618	OVEN SHELF	RO2M340757
43	R2573	OVEN GRID SHELF	RS4M300070
44	R2571	GRILL RACK	RS4M311164
45	R4061	MEAT TRAY	EMTY530219
46		BACK PLATE - SIMMERING OVEN	RO5M342218
47	R3411	ROPE 10 DIA x 750 LONG	JCRP340314
48		STUD M8 x 50 LONG	KSTD50506
49	R2630	NUT M8	KNUT53061
50		STUD M8 x 95 LONG	KSTD342277
51	R4509	STUD M8 x 50 LONG	KSTD50506
53		GASKET - FLUEWAY STUD	JGSG342199
54	R5150	GASKET - TOP OVEN TOP PLATE	JGSG342311
55	R3399	GASKET - VENT FAN PIPE ASSEMBLY	JGSG340411
56	R3398	VENT FAN PIPE ASSEMBLY	RO4M340694

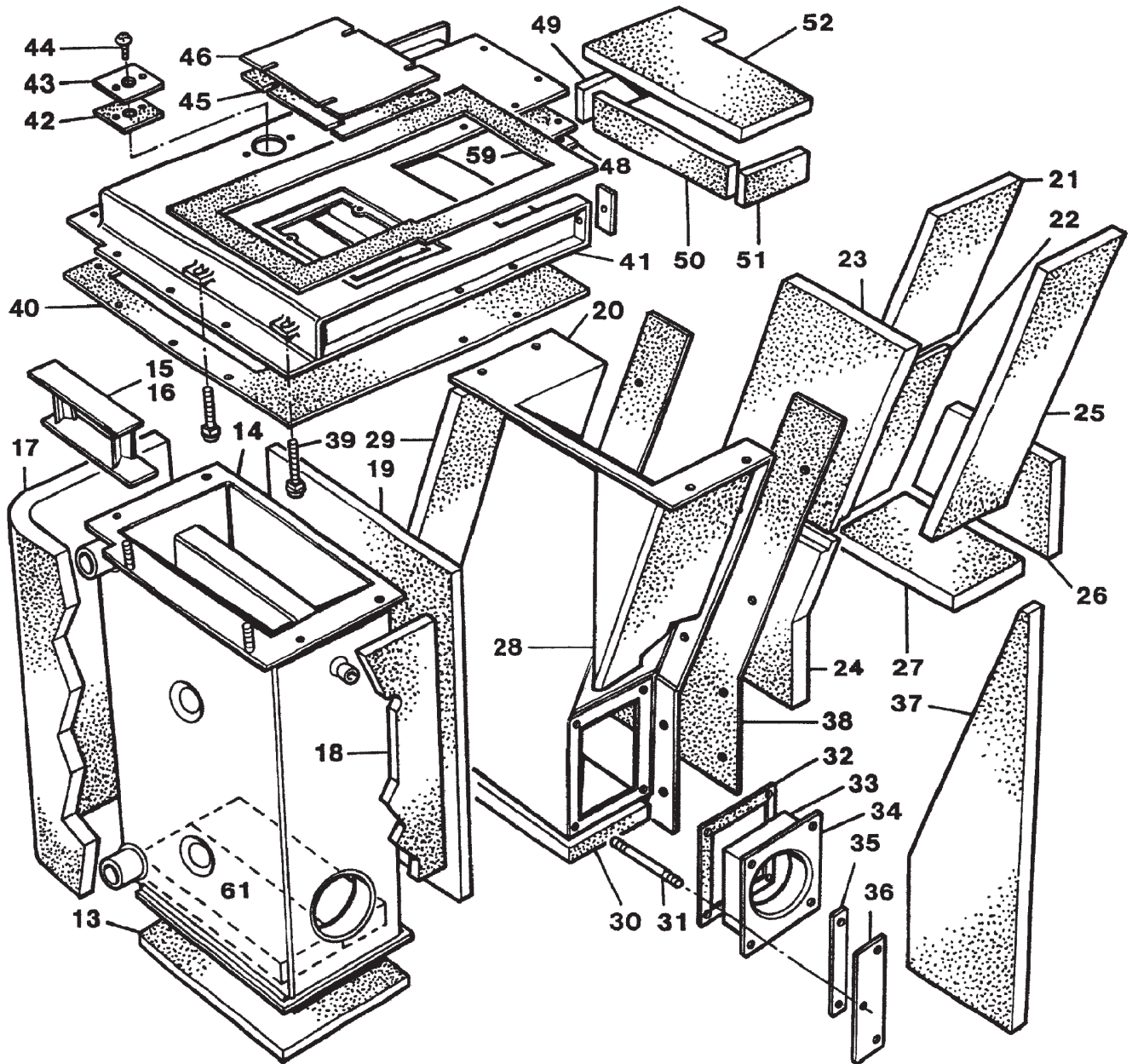


**RAYBURN 440, 460, 480, 499KB E
FIREBOX AND OVENS ASSEMBLY**

**RAYBURN 440/460/480/499 KB (BALANCED FLUE) (E) Serial Numbers Prefixed MX
Boiler, Cooker Chamber, Flue Diverter**

JANUARY 2005

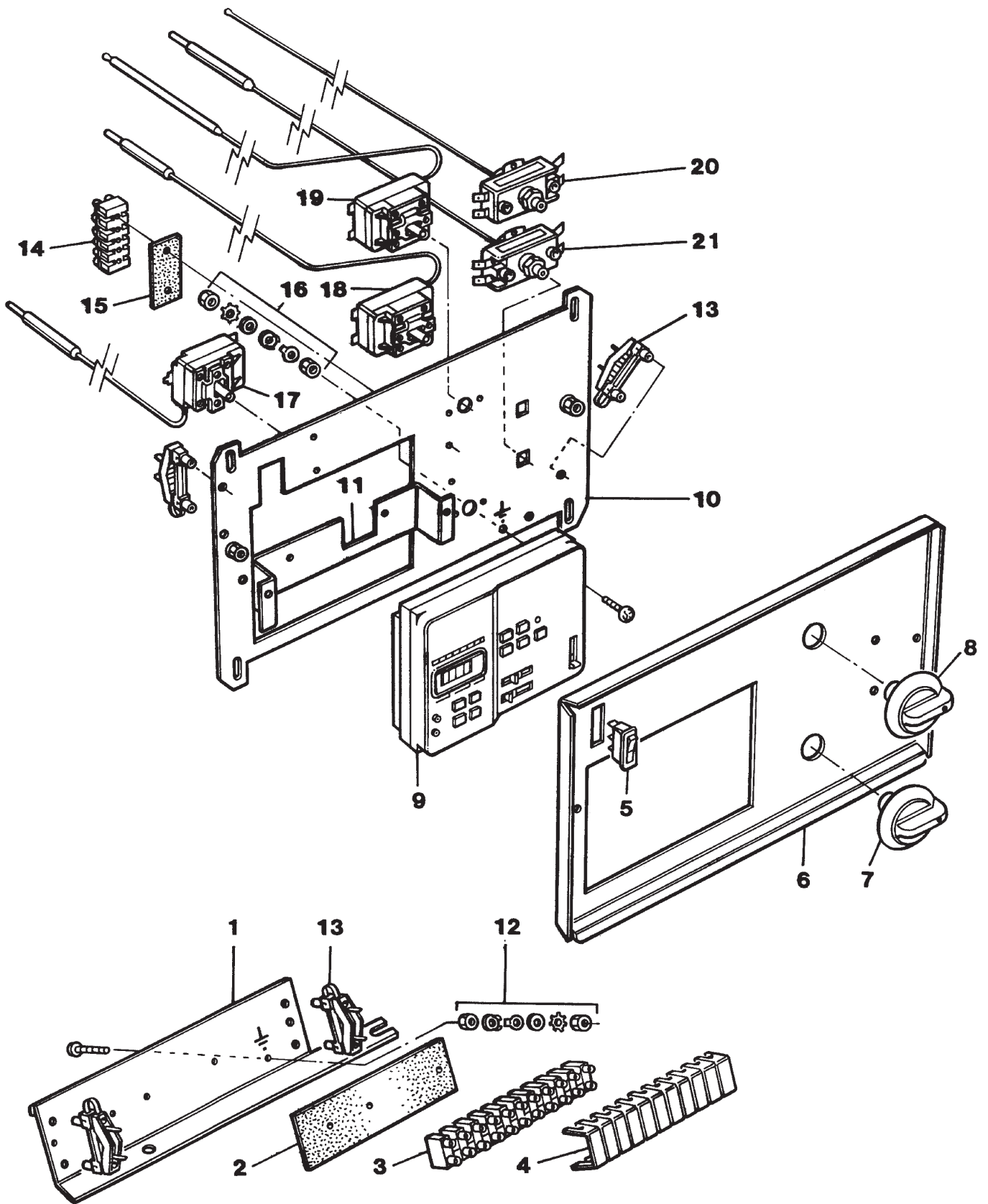
ITEM No.	CAT No.	DESCRIPTION	PRODUCT CODE
13	R3873	INSULATION - BOILER BASE OUTER	JPAD342017
14	R3874	BOILER ASSEMBLY	RO1W342032
15	R3875	BAFFLE - BOILER ST. STL	RO1M342381
	R4886	BAFFLE ASSY (NARROW) ST/ST	RO1M342498
17	R3877	INSULATION - BOILER WRAP	JPAD342189
18	R3878	INSULATION - BOILER FRONT	JPAD342188
19	R3879	INSULATION - BOILER R/H SIDE	JPAD342018
20	R3880	COOKER CHAMBER ASSEMBLY	RO1M342066
21	R3881	INSULATION - INNER - REAR TOP	JPAD342002
22	R3882	INSULATION - INNER - REAR BOTTOM	JPAD342001
23	R3883	INSULATION - INNER - L/H TOP	JPAD342012
24	R3884	INSULATION - INNER - L/H BOTTOM	JPAD342011
25	R3885	INSULATION - INNER - FRONT	JPAD342010
26	R3886	INSULATION - INNER - R/HAND	JPAD342000
27	R3887	INSULATION - INNER - BASE	JPAD342028
28		INSULATION - OUTER FRONT	JPAD342015
29		INSULATION - OUTER REAR	JPAD342013
30		INSULATION - OUTER BASE	JPAD342014
31	R4746	STUD M10 x 60	KSTD342436
32	R3891	GASKET BURNER MOUNTING	JGSG342072
33	R3892	INSULATION - FRONT	JPAD342003
34	R3893	PLATE BURNER MOUNTING	RO2M342070
35	R3894	PLATE BURNER FIXING	RO2M342193
36	R3895	PLATE BURNER SECURING	RO2M342192
37	R3896	INSULATION - FIREBOX SIDE L/H	JPAD342019
38	R3897	GASKET - BURNER CHAMBER	JGSG342073
39		M10 x 45 BOLT (FLAT HEAD)	KMIS342280
40		GASKET - FLUE DIVERTER	JGSG342300
41		FLUE DIVERTER ASSEMBLY C/W. INS.	RO1M342336
42	R3428	COVER GASKET	JGSG340640
43	R3429	COVER PLATE	RO2V340638
44		SCREW - POZ HEAD PAN M10 x 16	KPAN500295
45	R3900	GASKET - ACCESS COVER	JGSG342149
46	R3901	ACCESS COVER PLATE - FLUE DIVERTER	RO2M342115
47			
48		END BRACKET - FLUE DIVERTER	RO2M342111
49		INSULATION -REAR	JPAD342150
50		INSULATION -SIDE	JPAD342151
51		INSULATION - FRONT - UP TO M01-134	JPAD342153
		INSULATION - FRONT - FROM M01-034	JPAD342466
52		INSULATION - TOP	JPAD342152
59	R4163	HOB SEALING GASKET	JGSG341274
61	R4182	INSULATION - BOILER CHAMBER INNER	RO9M998912



**RAYBURN 440, 460, 480, 499KB (E)
 BOILER AND COOKER CHAMBER**

RAYBURN 440/460/480/499 KB (BALANCED FLUE) (E) Serial Numbers Prefixed MX
Electrical Controls **JUNE 2011**

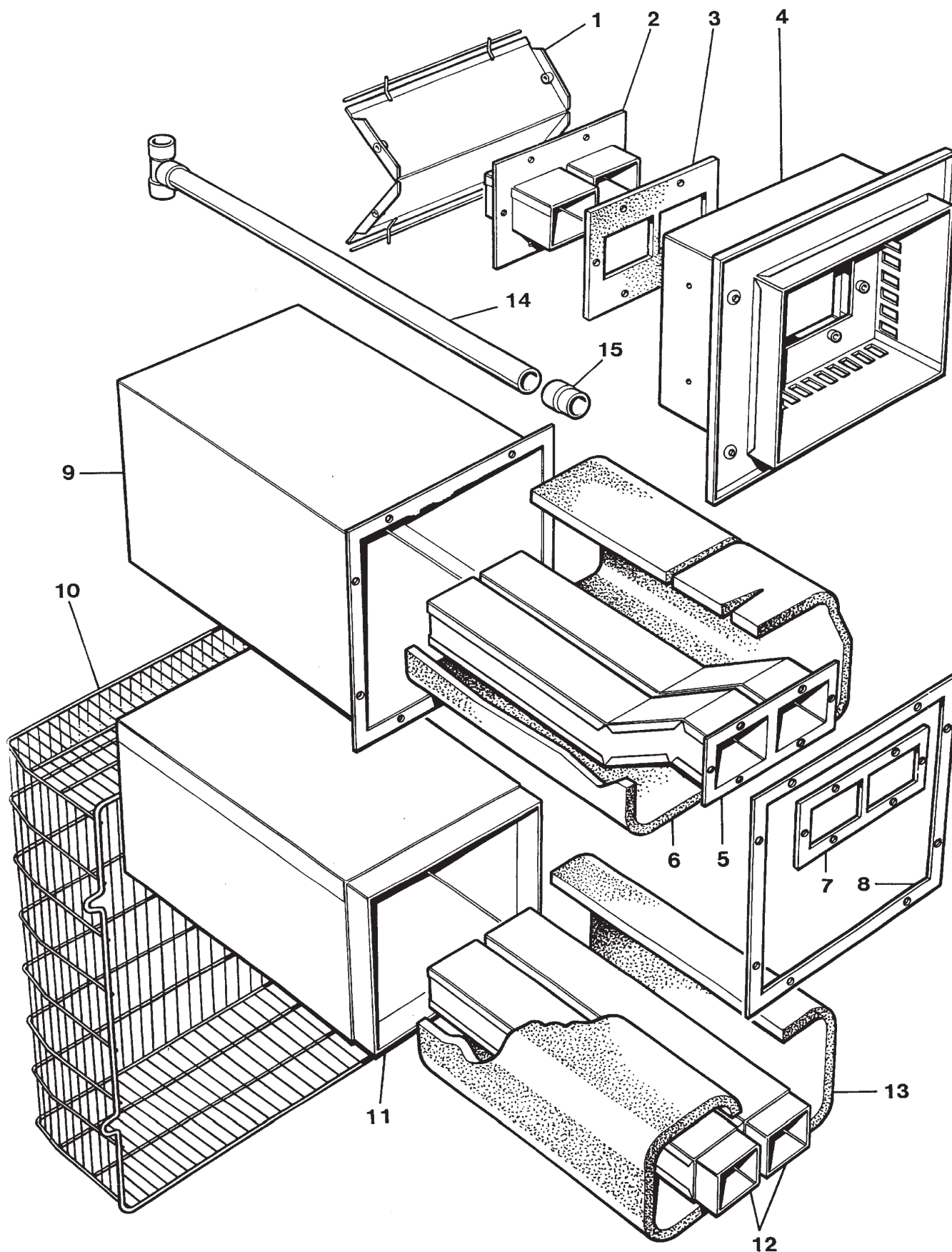
ITEM No.	CAT No.	DESCRIPTION	PRODUCT CODE
1	R3357	BRACKET - TERMINAL BLOCK MOUNTING	RG2M314027
2	R3358	LABEL - TERMINAL BLOCK	EGLL340443
3	A2471	TERMINAL BLOCK (11 WAY)	AE4M45669
4	R3355	COVER TERMINAL BLOCK (11 WAY)	RO4M340589
5	R3353	SWITCH	RO4M340587
6	R3940	FACIA PANEL	RO2V342144
7	R2508	KNOB - BOILER CONTROL - UP TO M02-186	RO4M340301
7A	R5055	KNOB - BOILER CONTROL - FROM M02-186	RO4M342512
8	R4543	KNOB - COOKER CONTROL	RG4M313440
8A	R4177	COOKER STAT KIT (INCLUDES ITEMS 7A, 8, 19 & 20)	RO9M998520
9		PROGRAMMER - HONEYWELL (UP TO M11-006)	RO4T341277
9A	NCA	PROGRAMMER (ST9400C1018) - FROM M11-006	RO4T341633
9B	R4178	HONEYWELL PROGRAMMER REPLACEMENT KIT PRE-MOD M11-006	RO9M996219
10	R3947	CONTROL CHASSIS	RO2M342145
11		BRACKET - PROGRAMMER FIXING	RO2M342200
12		EARTH POST ASSEMBLY	RO4M998375
13	R2190	CABLE CLAMP	RG4M26192
14	A2471	TERMINAL BLOCK (6 WAY)	AE4M45669
15	A3360	TERMINAL BLOCK INSULATION	RO4M342275
16		EARTH POST ASSEMBLY	RO4M998375
17	R2502	THERMOSTAT - PUMP OVERRUN	RO4T340167
18	R2501	THERMOSTAT - BOILER	RO4T340165
19	R2500	THERMOSTAT COOKER	RO4T340166
20	R4083	THERMOSTAT - COOKER - LIMIT KIT	RG9T341224
21	R3943	THERMOSTAT - BOILER - LIMIT KIT	RO4T342166



**RAYBURN 440, 460, 480, 499KB (E)
ELECTRICAL CONTROLS**

**RAYBURN 440/460/480/499 KB (BALANCED FLUE) (E) Serial Numbers Prefixed MX
 TERMINAL AND EXTENSION KIT
 SEPTEMBER 2004**

ITEM No.	CAT No.	DESCRIPTION	PRODUCT CODE
1		TERMINAL BAFFLE - ASSEMBLY	RG1M341116
2		INSERT TUBE/SETTING PIECE - ASSY	RG1M341105
3	R4504	GASKET INSERT TUBES TO COOKER	JGSG340748
4		TERMINAL ASSEMBLY	RG1M341118
5	R4995	EXHAUST DUCT ASSEMBLY	RG1M341100
6		INSULATION JACKET	JPAD340851
7	R4502	GASKET - EXHAUST	JGSG340688
8	R4503	GASKET - TERMINAL TO COOKER	JGSG340732
9		WALL SLEEVE ASSEMBLY	RG1M341111
10		TERMINAL GUARD	RO4M340853
11	R4996	WALL SLEEVE EXTENSION - ASSY	RG1M341126
12	R4997	EXHAUST EXTENSION DUCT - ASSY	RG1M341122
13	R4998	INSULATION BLANKET	JPAD340852
14	R3453	OVEN VENT TUBE OUTLET (PACKED SEPARATELY TO THE REST OF THE ASSEMBLY)	AG4M48435
15	R3451	28mm STRAIGHT COUPLING	RO4M340795



**RAYBURN 440, 460, 480, 499KB MX
TERMINAL & EXTENSION KIT**