

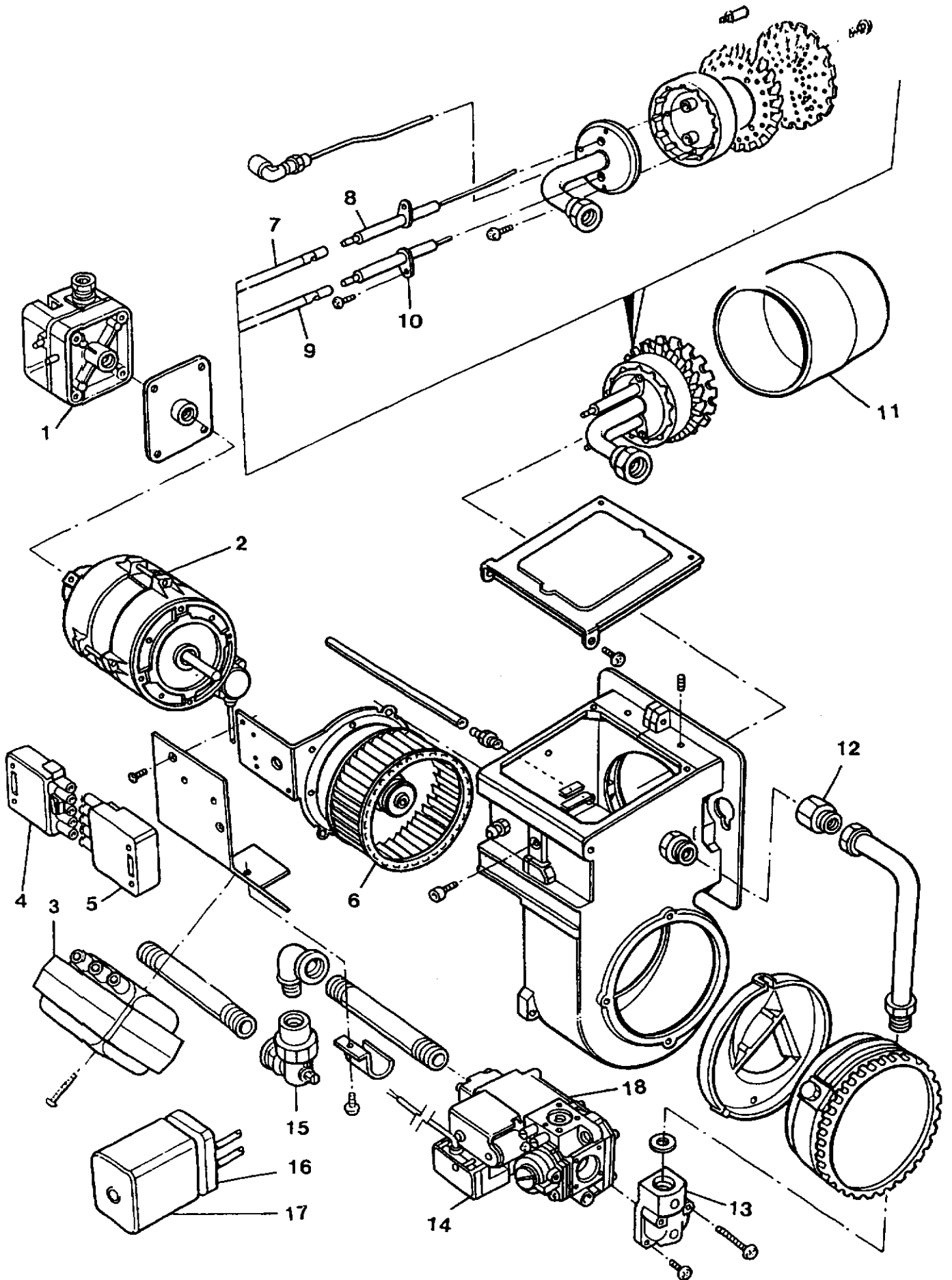
**RAYBURN
400 K & G
COOKER ONLY**

**OPEN FLUE MODELS
(Cookers with serial numbers prefixed MX)**

***SPARE PARTS
MANUAL***

**RAYBURN 400 COOKER (OPEN FLUE) (Serial Number Prefixed MX)
 BURNER SPARE PARTS (GAS FIRED) JULY 1998**

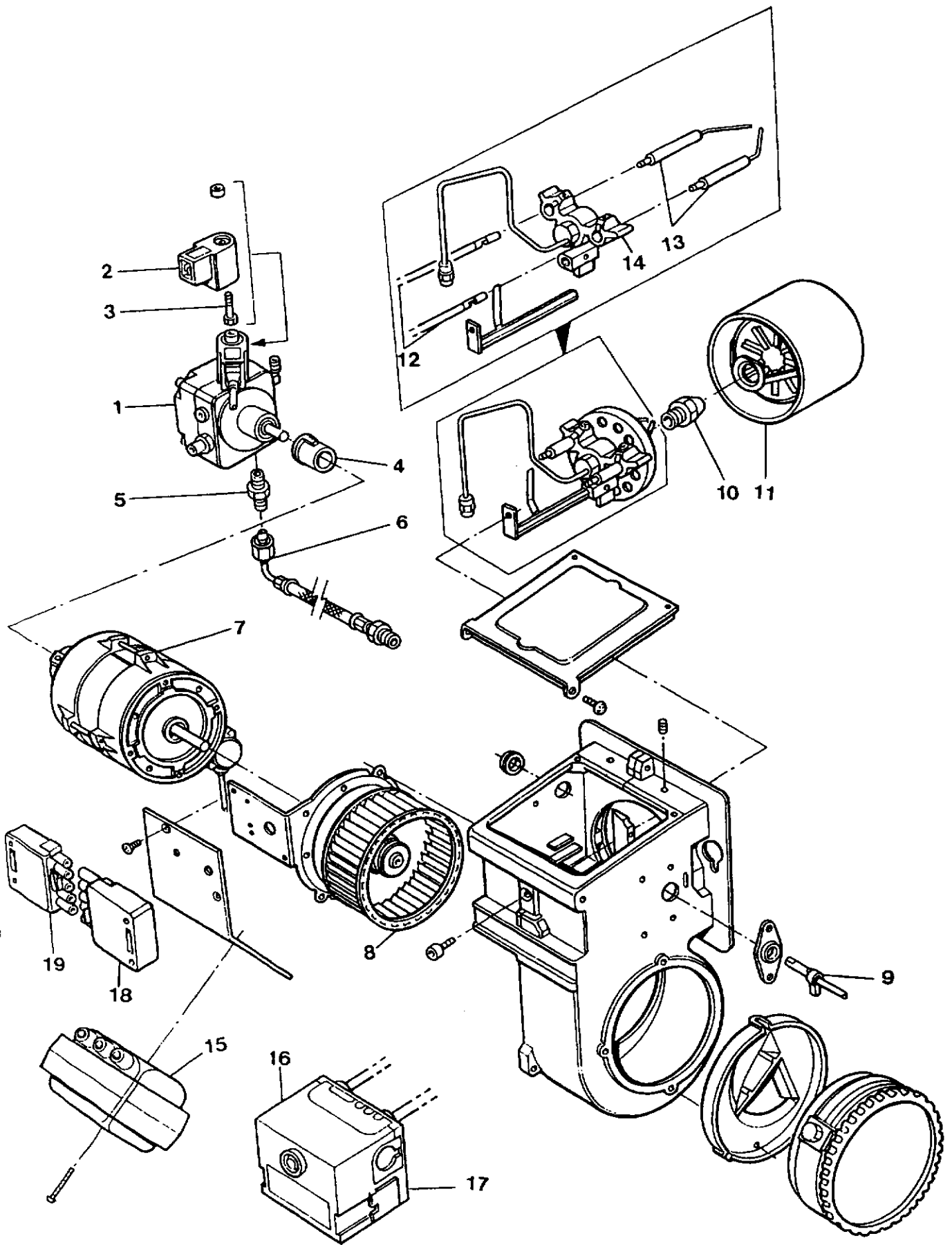
ITEM No.	CAT No.	DESCRIPTION	PRODUCT CODE
NOT SHOWN	R3971	BURNER COMPLETE (MONOFLAME) GAS	RG4M314062
1	R3677	AIR PRESSURE SWITCH	RG4M998266
2	R3962	MOTOR 50W DOUBLE END	RG4M998351
3	R3676	TRANSFORMER	RG4M998265
4	R3960	7 PIN PLUG	RG4M998352
5	R3961	7 PIN SOCKET	RG4M998353
6	R3918	FAN	RG4M998354
7	R3863	PROBE LEAD LOW OUTPUT	RG4M998355
8	R3974	PROBE LOW OUTPUT	RG4M998356
9	R3972	H/T ELECTRODE LEAD	RG4M998357
10	R3975	ELECTRODE LOW OUTPUT	RG5M998358
11	R3919	BLAST TUBE LOW OUTPUT	RG4M998359
12	R4077	BALLOFIX VALVE	RG4M998360
13	R4078	CVI ANGLE FLANGE	RG4M998361
14	R4079	GAS VALVE PLUG AND LEAD	RG4M998362
15	R3957	ANGLED GAS VALVE	RG4M998363
16	R3912	CONTROL BOX BASE	RG4M998364
17	R3675	CONTROL BOX (SATRONIC)	RG4M998264
18	R3674	GAS VALVE	RG4M998263



**RAYBURN 400G COOKER ONLY (MX)
BURNER (GAS FIRED) SPARE PARTS**

**RAYBURN 400 COOKER (OPEN FLUE) (Serial Number Prefixed MX)
BURNER SPARE PARTS (OIL FIRED) JULY 1998**

ITEM No.	CAT No.	DESCRIPTION	PRODUCT CODE
0	R3970	BURNER COMPLETE (MONOFLAME) KEROSENE	RO4M340903
1	R2332	PUMP DANFOSS BFP11R3	RO4M999145
2	R2333	SOLENOID	RO4M999146
3		SOLENOID STEM	RO4M998272
4	R2368	PUMP COUPLING	RO4M999257
5	R3979	NIPPLE - PUMP INLET	RO4M998273
6	R2325	FLEXIBLE HOSE BRAIDED	RO4M999159
7	R2331	MTOR SIMEL 50W	RO4M999147
8	R2329	FAN	RO4M998149
9	R3978	PHOTOCELL LANDIS & GYR QRB1	RO4M998284
10	R3973	ATOMISER NOZZLE 0.4 x 80 HLE (KEROSENE)	RO4M998261
11	R3673	BLAST TUBE BFB01 (ST STEEL)	RO4M998262
12	R2369	IGNITION LEAD (PAIR)	RO4M999258
13	R2335	IGNITION ELECTRODE (PAIR)	RO4M999155
14	R2336	INNER ASSEMBLY (KEROSENE)	RO4M999156
15	R2330	TRANSFORMER COFI E820	RO4M999148
16	R3935	CONTROL BOX (KEROSENE) (LANDIS & GYR LOA21)	RO4M998383
17	R3935	BASE CONTROL BOX	RO4M998383
18	R3961	7 PIN SOCKET	RG4M998353
19	R3960	7 PIN PLUG	RG4M998352

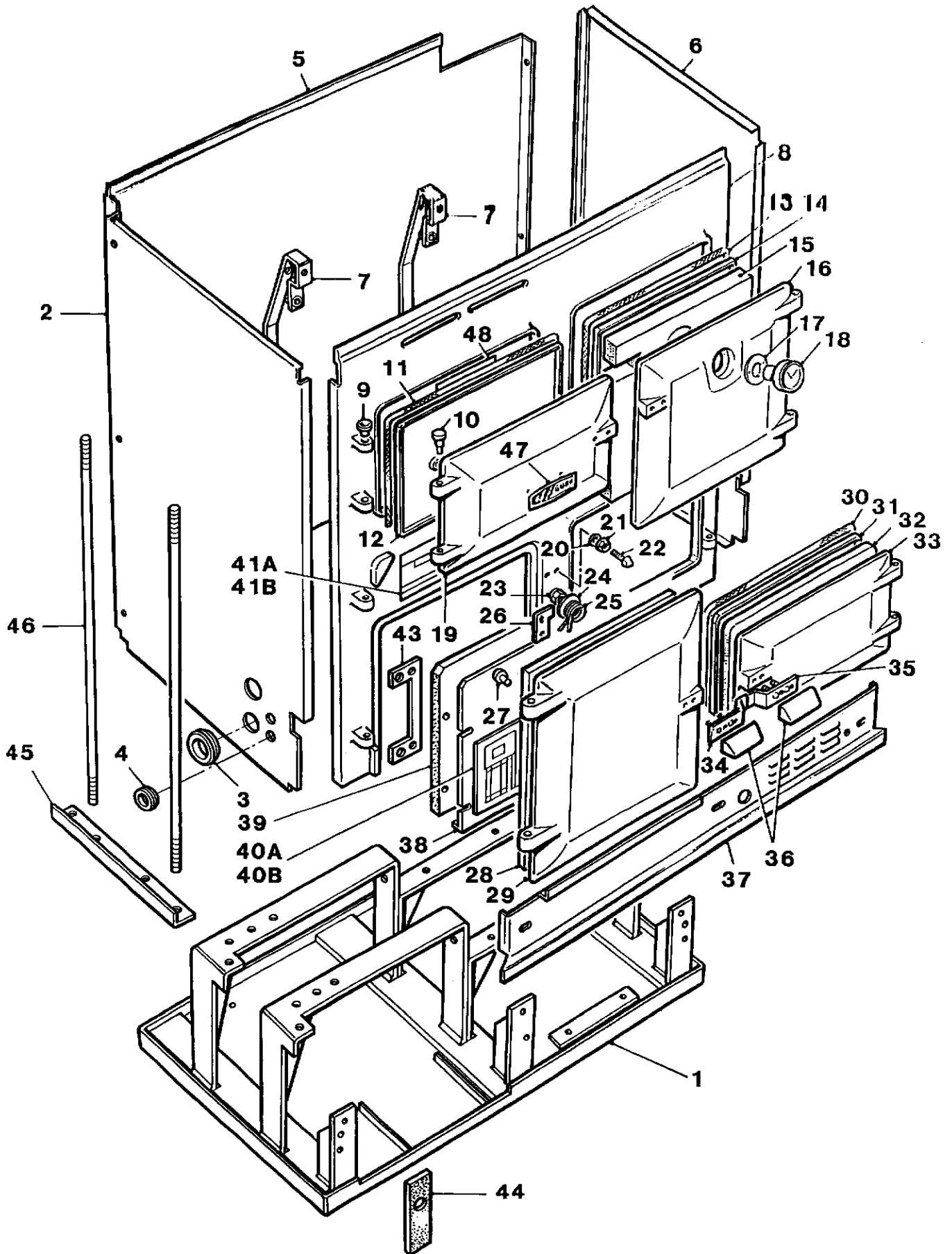


**RAYBURN 400K COOKER ONLY (MX)
BURNER (OIL FIRED) SPARE PARTS**

**RAYBURN 400 COOKER (OPEN FLUE) (Serial Number Prefixed MX)
FRONT PLATE/DOORS/SIDE PANELS**

JULY 1998

ITEM No.	CAT No.	DESCRIPTION	PRODUCT CODE
1	-	BASE PLATE ASSEMBLY	RO2V342086 A
2	r4138	LEFT HAND SIDE PANEL	RG2V341175 A
3	R3352	GROMMET	RO4M340705
4	R2719	GROMMET - REEVITE PV56A	RG4M31317
5	R3801	BACK PANEL	RO2V342203 A
6	R4139	RIGHT HAND SIDE PANEL	RG2V341176 A
7	-	BRACKET - FACIA INSULATION	RG1M341197 A
8	R3805	FRONT PLATE	RO5E340846 M
9	R2759	BUSH - DOOR HINGE	RO4M340226
10	R2633	DOOR HINGE PIN	RO4M340227
11	-	CONTROL DOOR ROPE SEAL	JMAR340257
12	-	CONTROL DOOR LINING PANEL	RO2M342366
13	R2642	TOP OVEN DOOR SEAL	JMAR340255
14	R3459	TOP OVEN DOOR LINING PANEL	RO2M340471
15	-	INSULATION PAD	JPAD340465
16	R2619	TOP OVEN DOOR	RO5E340138
17	R2676	THERMODIAL SEALING RING	RO4M340280
18	R2676	THERMODIAL	RO4T340295
19	R2617	OUTER CONTROL DOOR	RO5E340106
20	R2755	DOOR KEEP WASHER	JWSR340334
21	R2754	FLANGE NUT	KNUT500260
22	R2754	DOOR KEEP	RO4M340185
23	R2738	SELF LOCKING NUT	KNUT500327
24	R2758	RETAINING WASHER	KWSR340298
25	R2757	DOOR CATCH SPRING	RO4M340297
26	R2752	DOOR CATCH STOP BRACKET	RO2M340349
27	R3807	DOOR BUFFER	RO4M341031
28	-	LINING PANEL - BURNER DOOR	RO2M341018
29	R2618	BURNER DOOR	RO5E340107
30	R2641	BOTTOM OVEN DOOR SEAL	JMAR340256
31	R2974	LINING PANEL - BOTTOM OVEN DOOR	RG2M313313
32	-	INSULATION PAD	JPAD340466
33	R2614	BOTTOM OVEN DOOR	RO5E340137 A
35	R2680	DOOR CATCH ASSEMBLY - OVEN DOORS	RO4M340181 A
34	R2563	DOOR CATCH ASSEMBLY - BURNER AND CONTROL DOORS	RO4M340278
36	R2061	DOOR HANDLE	RO4M340543
37	R4140	PLINTH	RG2V341196 A
38	R3949	FRONT SEALING PLATE	RO2V340953 C
39	R3950	FRONT SEALING GASKET	JGSG340955 B
40A	-	WIRING DATA LABEL (400G)	EGLL511725
40B	-	WIRING DATA LABEL (400K)	EGLL511726
41A	-	DATA PLAQUE (400G)	RG4M341272
41B	-	DATA PLAQUE (400K)	RO4M341273
43	-	BURNER SEALING PLATE FIXING STRAP	RO2M341059
44	R4080	PLINTH GASKET	JGSG341210
45	-	CORNER STAY BRACKET	RO4M341164 A
46	-	CORNER STAY ROD	RO4M341165
47	R2218	NAME BADGE - "RAYBURN"	RO4M330013 B
48	-	PROGRAMMER LABEL	EGLL511454

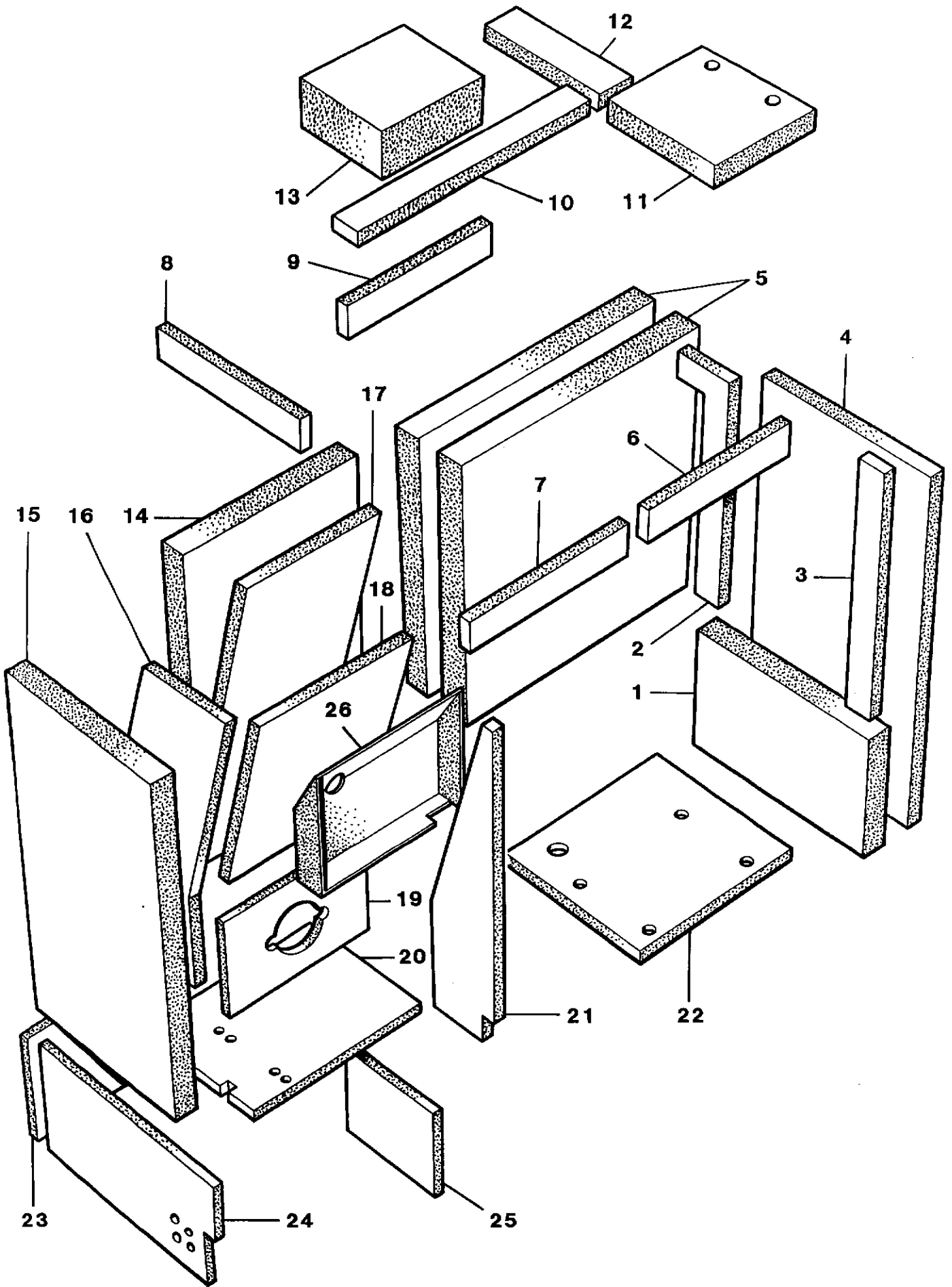


**RAYBURN 400K & G COOKER ONLY (MX)
FRONT PLATE/DOOR/SIDE PANELS**

**RAYBURN 400 COOKER (OPEN FLUE) (Serial Number Prefixed MX)
INSULATION**

JULY 1998

ITEM No.	CAT No.	DESCRIPTION	PRODUCT CODE
1		INSULATION - RH LOWER	JPAD340024 A
2		INSULATION - RH REAR	JPAD340025 A
3		INSULATION - RH FRONT	JPAD340023 A
4		INSULATION - RH OUTER	JPAD340020 A
5		INSULATION - OVEN BACK	JPAD340026 A
6		INSULATION - HOB RH FRONT	JPAD342198 A
7		INSULATION - HOB LH FRONT	JPAD341188
8		INSULATION - FLUE DIVERTER SIDE	JPAD341188
9		INSULATION - FLUE DIVERTER REAR	JPAD341187
10		INSULATION - FLUE DIVERTER TOP	JPAD341189
11		INSULATION - HOB PROTECTOR PLATE	JPAD342055 A
12		INSULATION - HOB PROTECTOR REAR	JPAD341190
13		INSULATION - OVEN TOP	JPAD341191
14		INSULATION - BURNER CHAMBER REAR OUTER	JPAD341230
15		INSULATION - LH SIDE PANEL	JPAD341230
16		INSULATION - BURNER CHAMBER SIDE	JPAD341182 A
17		INSULATION - BURNER CHAMBER BACK	JPAD341181 A
18		INSULATION - BURNER CHAMBER FRONT	JPAD341183 A
19		INSULATION - BURNER SUPPORT	JPAD341203
20		INSULATION - BURNER CHAMBER BASE OUTER	JPAD341177 A
21		INSULATION - FIREBOX SIDE	JPAD342019 A
22		INSULATION - SIMMERING OVEN BASE	JPAD340875 A
23		SOUND INSULATION - REAR PANEL	JPAD341179 A
24		SOUND INSULATION - LH SIDE PANEL	JPAD341178 B
25		SOUND INSULATION - FIREBOX SIDE	JPAD342019 A
26		INSULATION -FACIA	JPAD342211 A

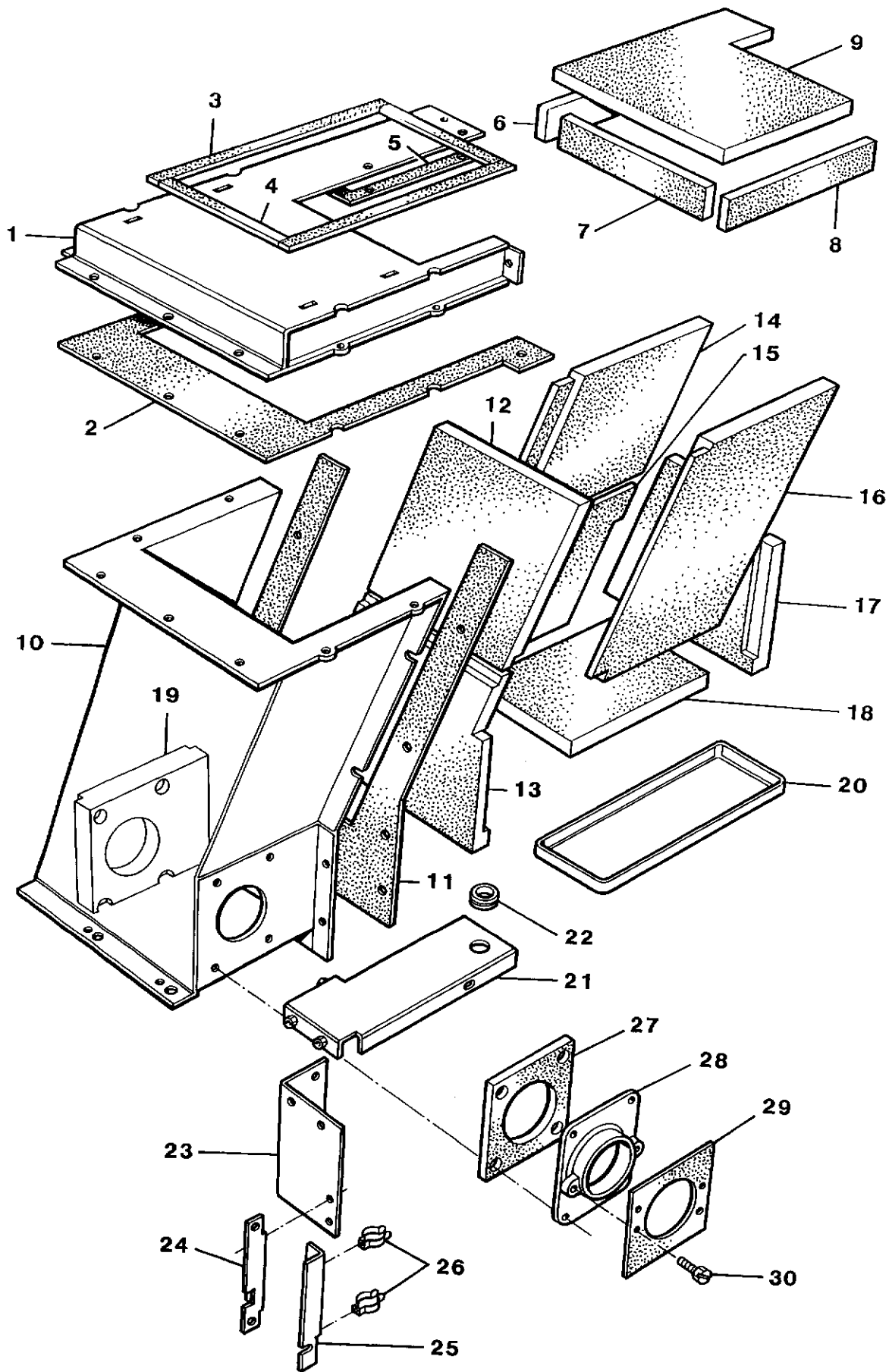


RAYBURN 400 K & G COOKER ONLY (MX)
INSULATION

**RAYBURN 400 COOKER (OPEN FLUE) (Serial Number Prefixed MX)
BURNER CHAMBER SIDE**

JULY 1998

ITEM No.	CAT No.	DESCRIPTION	PRODUCT CODE
1	-	FLUE DIVERter ASSEMBLY	RG1M341085 A
2	-	GASKET - FLUE DIVERter	JGSG341193 A
3	-	HOB SEALING STRIP - FRONT/BACK	JGSG342289 A
4	-	HOB SEALING STRIP - SIDES	JGSG342290 A
5	-	GASKET - FLUE DIVERter FEATHER	JGSG341194
6	-	INSULATION - FLUE DIVERter REAR	JPAD341149 A
7	-	INSULATION - FLUE DIVERter SIDE	JPAD341148 A
8	-	INSULATION - FLUE DIVERter FRONT	JPAD341150 A
9	-	INSULATION - FLUE DIVERter TOP	JPAD341151 A
10	-	BURNER CHAMBER ASSEMBLY	RG1M341079 A
11	-	GASKET - BURNER CHAMBER	JGSG342073 A
12	-	INSULATION - CHAMBER LH TOP	JPAD342012 A
13	-	INSULATION - CHAMBER LH BOTTOM	JPAD341161 A
14	-	INSULATION - CHAMBER REAR TOP	JPAD341146 A
15	-	INSULATION - CHAMBER REAR BOTTOM	JPAD341147 B
16	-	INSULATION - CHAMBER FRONT TOP	JPAD341173 A
17	-	INSULATION - CHAMBER RH SIDE	JPAD341162 B
18	-	INSULATION - CHAMBER BASE INNER	JPAD341145 A
19	-	INSULATION - CHAMBER FRONT BOTTOM	JPAD341144 A
20	R3966	OIL DRIP TRAY (400K MODEL ONLY)	RO2V340938
21	-	BURNER HOUSING TOP PANEL	RG2M341213 A
22	R3352	GROMMET - HEYCO	RO4M340705
23	-	BURNER HOUSING LH PANEL	RG2M341212 A
24	-	BURNER HOUSING LH BRACKET	RG2M341184 A
25	-	BRACKET - CAPILLARY BULB MOUNTING	RO2M340329
26	A1939	TERRY CLIP REF 100/13K	KCLP26260
27	R4081	GASKET - BURNER SUPPORT PLATE	JGSG341195
28	R3965	BURNER SUPPORT PLATE	RO5M340884
29	R2321	GASKET - BURNER MOUNTING	RO4M321149 A
30	-	SCREW M8 x 12 LONG HEX HEAD SLOTTED	KHEX500335

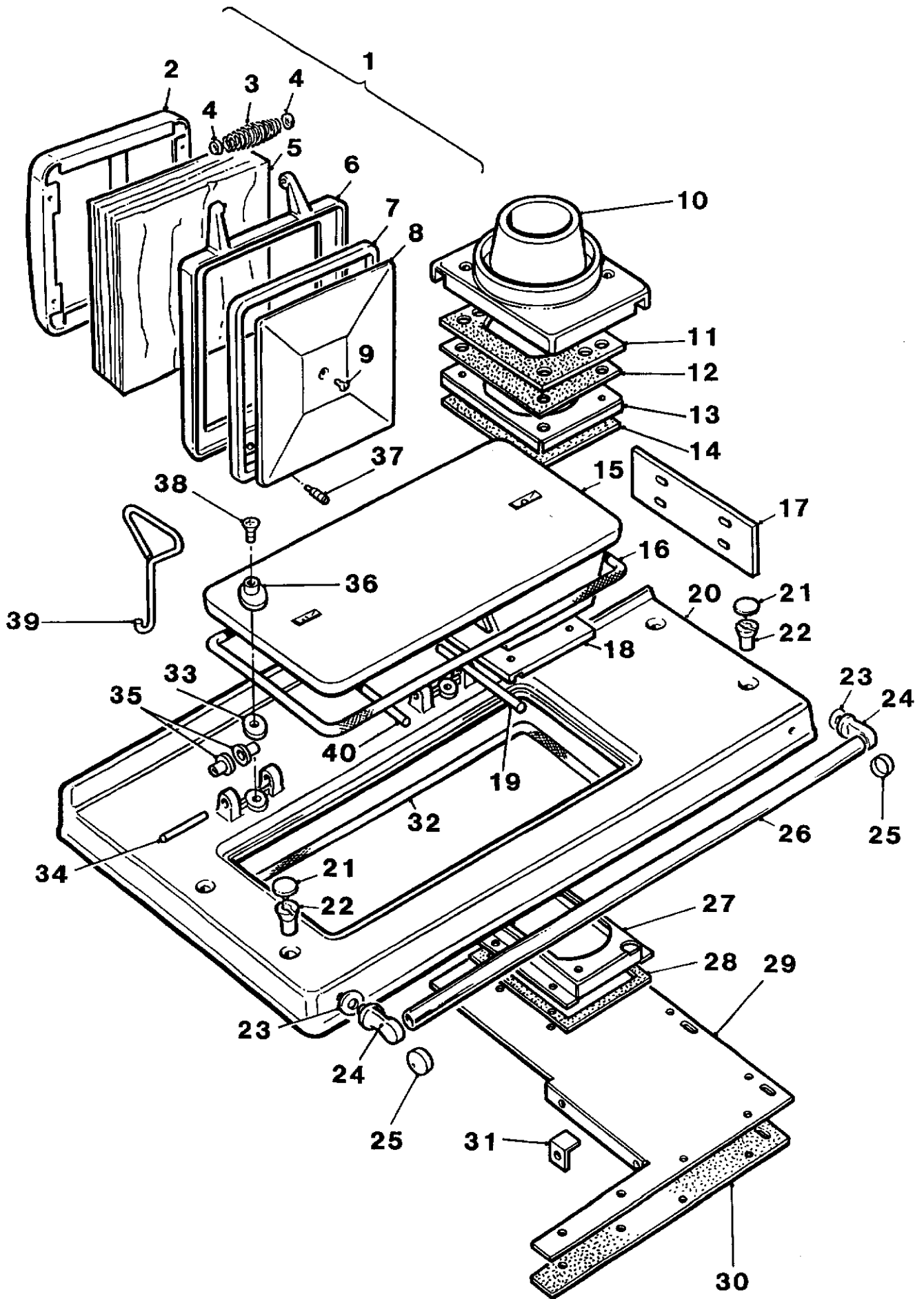


**RAYBURN 400K & G COOKER ONLY (MX)
BURNER CHAMBER SIDE**

**RAYBURN 400 COOKER (OPEN FLUE) (Serial Number Prefixed MX)
HOB ASSEMBLY**

JULY 1998

ITEM No.	CAT No.	DESCRIPTION	PRODUCT CODE
1	R3652	INSULATING COVER ASSEMBLY	RO1M340315
2	R2766	INSULATING COVER C/P	RO4M340276
3	R3028	COIL HANDLE	RO4M340522
4	R3029	CUP - COIL HANDLE	RO4M340521
5	R2767	PAD - COVER INSULATION	JPAD340307
6	R3555	INSULATING COVER BASE - VE	RG5E340274
7	R3457	SEAL - INSULATING COVER	JMAR340790
8	R1614	INSULATING COVER LINING PLATE	RO2E340773
9	-	SCREW 1/4" BSW C/P	KCSK50372
10	R2281	FLUE SPIGOT	RO5E330007
11	-	GASKET - FLUE SPIGOT FILLER	JGSG342251 A
12	-	GASKET - FLUE SPIGOT SEALING	JGSG341247
13	-	FLUE ADJUSTER PLATE	RO2M341290 A
14	R3817	GASKET - UNDER FLUE ADJUSTER PLATE	JGSG342250 A
15	R3816	HOTPLATE	RO5E342123 A
16	R3182	ROPE 15mm x 1600mm LONG CERAMIC	JCRP340796
17	-	HOTPLATE BAFFLE ST. STEEL	RO2M342130 A
18	-	BAFFLE - HOTPLATE	RG5M1-17047 A
19	R3818	ROPE 25 DIA x 240 LONG	JTHR342247 A
20	R3933	HOBPLATE	RO5E340896
21	R4082	STAY BUTTON	RO4M342271 A
22	R1066	CORNER STAY NUT	RO4M342270 B
23	A1472	WASHER - HANDRAIL ASSEMBLY	JWSR313206
24	A2314	HANDRAIL BRACKET	AG5E3-9124 F
25	A2975	HANDRAIL END CAP	AG4M210660
26	R1723	HANDRAIL	RO4M340837
27	-	FLUE MOUNTING PLATE	RO2M342186 A
28	-	GASKET - FLUE MOUNTING PLATE	JGSG342191
29	-	HOB PROTECTOR PLATE	RO2M342179 A
30	-	GASKET - HOB PROTECTOR PLATE	JGSG342187 A
31	-	BRACKET	RO2M340239
32	R3182	ROPE 15mm x 1600mm LONG	JCRP340796
33	R3826	WASHER - LID CAM	JWSR341051
34	R3908	SPINDLE - INSULATING COVER HINGE	RO4M340786
35	R2759	BUSH - INSULATING COVER HINGE	RO4M340226
36	R3909	LID ADJUSTMENT CAM	RO4M341029
37	A2583	GRUB SCREW M6 x 6mm LONG	KGRB500276
38	-	SCREW M6 x 20mm LONG C/SUNK SOCKET	KCSK500346
39	R1764	HOT PLATE LIFTING TOOL	RS4M47450
40	R3819	ROPE 13 DIA x 240 LONG	JTHR342246 A



**RAYBURN 400 K & G COOKER ONLY (MX)
HOB ASSEMBLY**

**RAYBURN 400 COOKER (OPEN FLUE) (Serial Number Prefixed MX)
FIREBOX SIDE AND OVENS ASSEMBLY**

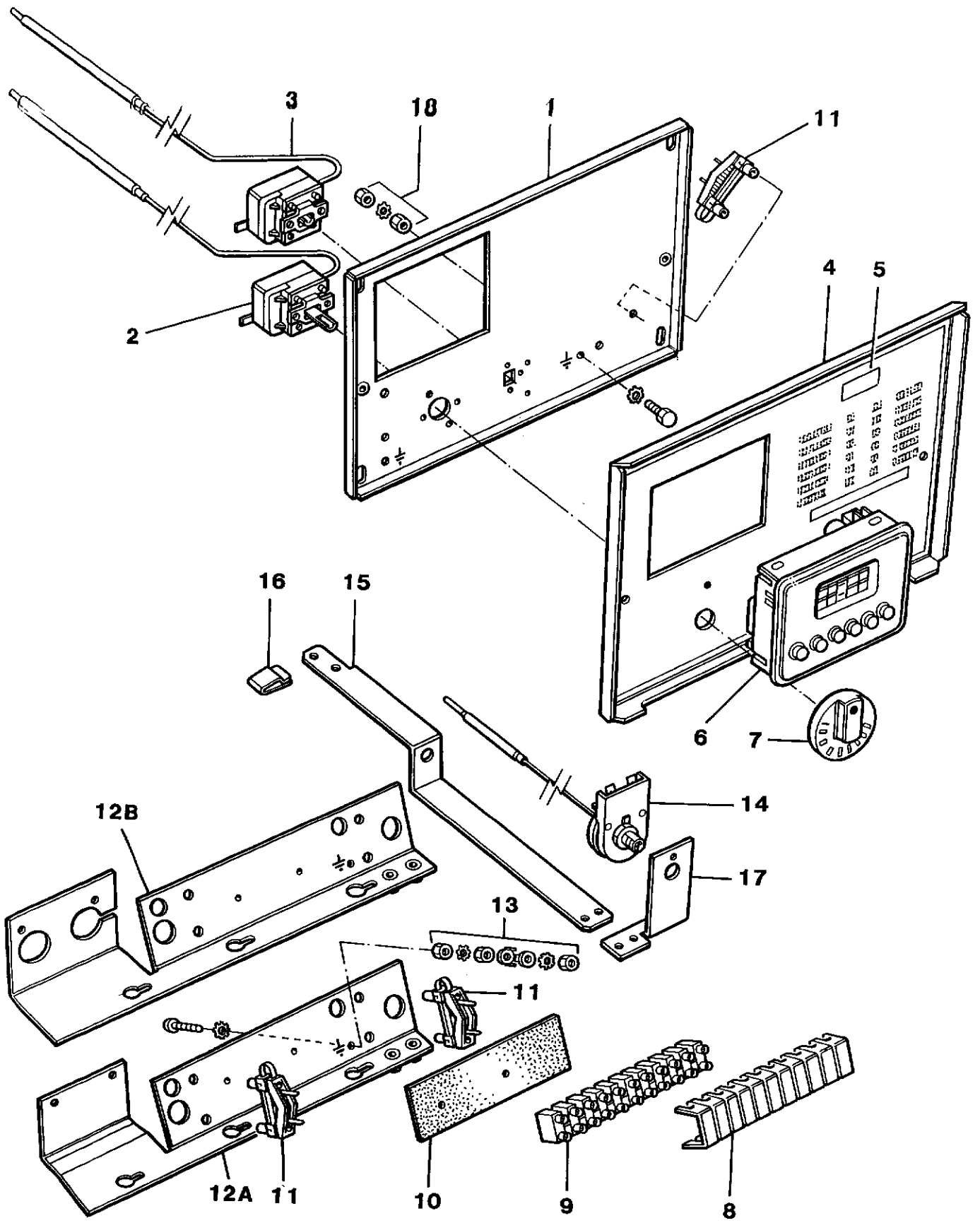
JULY 1998

ITEM No.	CAT No.	DESCRIPTION	PRODUCT CODE
1	R3840	PROTECTOR PLATE - FIREBOX SIDE	RO1M342030 A
2	R3841	GASKET FIREBOX SIDE PROTECTOR PLATE	JGSG342031 A
3	-	FIREBOX SIDE - BOTTOM	RO5M342005 A
4	-	FIREBOX SIDE - GASKET	JGSG340784
5	-	FIREBOX SIDE - TOP	RO5M342007 A
6	-	ROPE NO.4 x 500 LONG	JTHR20389
7	-	INSULATING PAD LH SIDE SIMMERING OVEN	JPAD340826
8	-	LH SIDE - SIMMERING OVEN	RO5M342009 A
9	-	BASE PLATE - SIMMERING OVEN	RO5M342075 A
10	-	RH SIDE - SIMMERING OVEN	RO5M342065 A
11	-	TOP PLATE - SIMMERING OVEN	RO5M342077 A
12	-	REMOVABLE LH SIDE - SIMMERING OVEN	RG5M310005 A
13	-	GASKET	JGSG340542 A
14	R2789	OVEN VENT PIPE SIMMERING OVEN BASE	RO4M340311
15	-	INSULATION OVEN FLUEWAY	JPAD342235 A
16	-	GASKET R/H FLUE FEATHER	JGSG340553
17	-	GASKET L/H FLUE FEATHER	JGSG340555
18	-	GASKET TOP L/H	JGSG340556
19	-	VENT PIPE SIMMERING OVEN TO TOP OVEN	RO4M340310
20	-	GASKET	JGSG340554
21	-	GASKET TOP OVEN R/H SIDE	JGSG340557
22	-	BASE PLATE TOP OVEN	RO5M342022 A
23	R2770	GASKET ACCESS DOOR TOP OVEN BASE	JGSG340262
24	R3851	ACCESS DOOR TOP OVEN BASE	RO5M342178 A
25	R2604	ACCESS DOOR TOP OVEN RH SIDE	RO5M340259
26	R2605	GASKET ACCESS DOOR TOP OVEN R/H SIDE	JGSG340260
27	-	R/H SIDE - TOP OVEN	RO5M342079 A
28	-	BACK PLATE - TOP OVEN	RO5M342081 A
29	R4128	REM L/H TOP OVEN SIDE	RG5M341249
30	-	GASKET R/H DUCT	JGSG342126 A
31	-	RIGHT HAND DUCT	RX5M342084 A
32	-	GASKET TOP OVEN RH SIDE	JGSG340557
33	-	ROPE 10 DIA x 455	JCRP342282
34	-	TOP PLATE - TOP OVEN	RG5M341171
35	-	GASKET R/H FLUE FEATHER	JGSG342183 A
36	-	M10 x 25 LONG COACHBOLT	KMIS342281 A
37	-	GASKET R/H FLUE FEATHER	JGSG342182 A
38	-	FLUE FEATHER	RO2M342173 A
39	-	GASKET TOP OVEN VENT	RG4M30413
40	-	VENT PIPE - TOP OVEN	RG4M314049
42	R1618	OVEN SHELF	RO2M340757
43	R2573	OVEN GRID SHELF	RS4M300070 A
44	R2571	GRILL RACK	RS4M311164 A
45	R1004	MEAT TRAY	EMPTY47744
46	-	BACK PLATE SIMMERING OVEN	RO5M342218 A
47	-	ROPE 10 x 750 LONG	JCRP340314
48	-	STUD M8 x 50 LONG	KSTD52103
49	-	NUT M8	KNUT53061
50	-	STUD M8 x 95 LONG	KSTD342277 A
51	-	STUD M8 x 50 LONG	KSTD52103
52	-	GASKET FLUEWAY STUD	JGSG342199 A
53	R2713	BRACKET - STAT PHIAL REAR LOCATION	RG1M311001
54	R3963	BRACKET - STAT PHIAL FRONT LOCATION	RO2M340916
55	R2710	BRACKET - STAT PHIAL RETAINING	RO2M94007
56	-	FLUE DETECTOR ADAPTOR ASSEMBLY	RG1M341233 A
57	-	GASKET - FLUE SEALING PLATE	JGSG341207 B
58	-	INSULATION SUPPORT BRACKET	RG2M341205 A
59	-	LOCATION BRACKET - FLUE DETECTOR TUBE	RG2M341239 A
60	-	FIREBOX BAFFLE PLATE	RG2M341248

RAYBURN 400 COOKER (OPEN FLUE) (Serial Number Prefixed MX)
ELECTRICAL CONTROLS

JULY 1998

ITEM No.	CAT No.	DESCRIPTION	PRODUCT CODE
1	-	CONTROL PANEL CHASSIS	RO2M340951 E
2	R2500	THERMOSTAT - OVEN	RO4T340166 A
3	R4083	THERMOSTAT - OVERHEAT	RG4T341224
4	-	FACIA PANEL	RO2V340985 C
5	-	FACIA GRAPHIC PANEL	RG4M341265
6	R3665	TIME CLOCK	RO4M340983
7	R3941	CONTROL KNOB	RO4M342155 A
8	R3969	TERMINAL BLOCK COVER	RO4M340974
9	A2471	TERMINAL BLOCK	AE4M45669
10	-	TERMINAL BLOCK LABEL	EGLL340957
11	R2190	CABLE CLAMP	RG4M26192
12A	-	TERMINAL BLOCK CHASSIS (400G)	RG2M341236
12B	-	TERMINAL BLOCK CHASSIS (400K)	RO2M341237
13	-	EARTH POST ASSEMBLY - TERMINAL BLOCK	
14	R4084	FLUE DETECTOR SAFETY THERMOSTAT	RG4T341250
15	-	THERMOSTAT PHIAL GUIDE BRACKET	RG2M341238
16	-	CLIP - THERMOSTAT PHIAL LOCATION	KCLP500283
17	-	BRACKET - FLUE DETECTOR THERMOSTAT	RG2M341241
18	-	EARTH ASSEMBLY - CONTROLS CHASSIS	



**RAYBURN 400K & G COOKER ONLY (MX)*
ELECTRICAL CONTROLS**