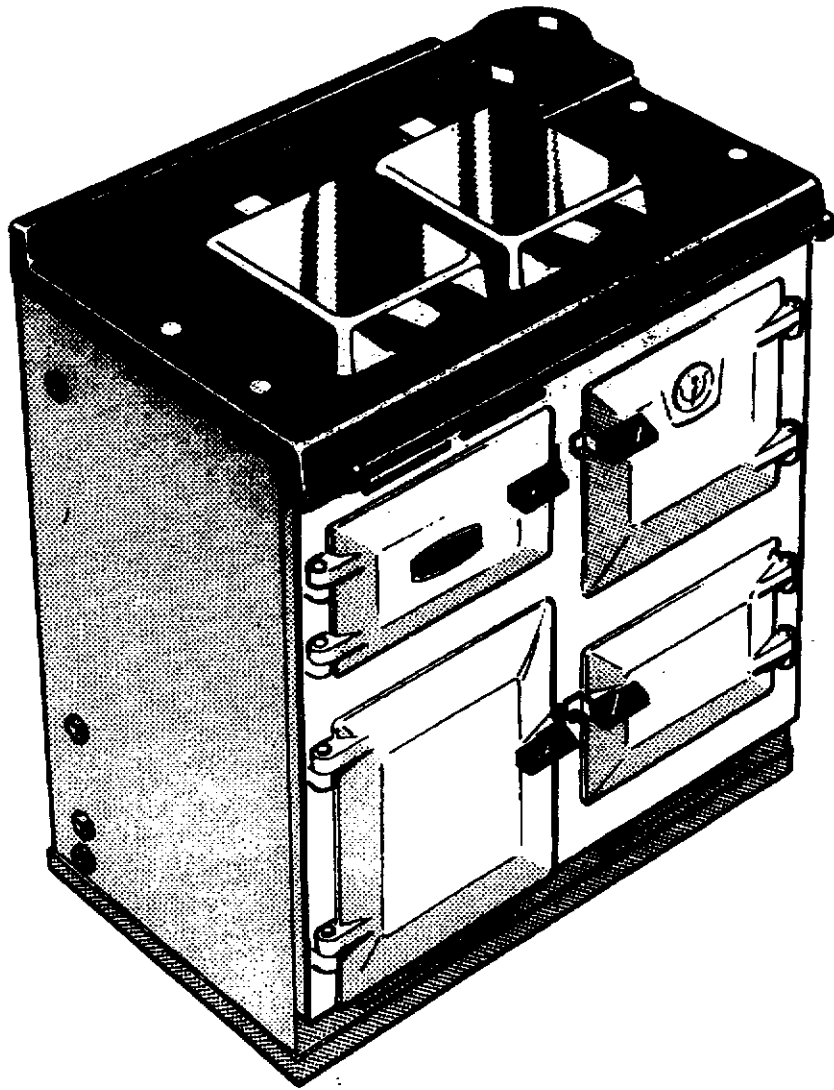
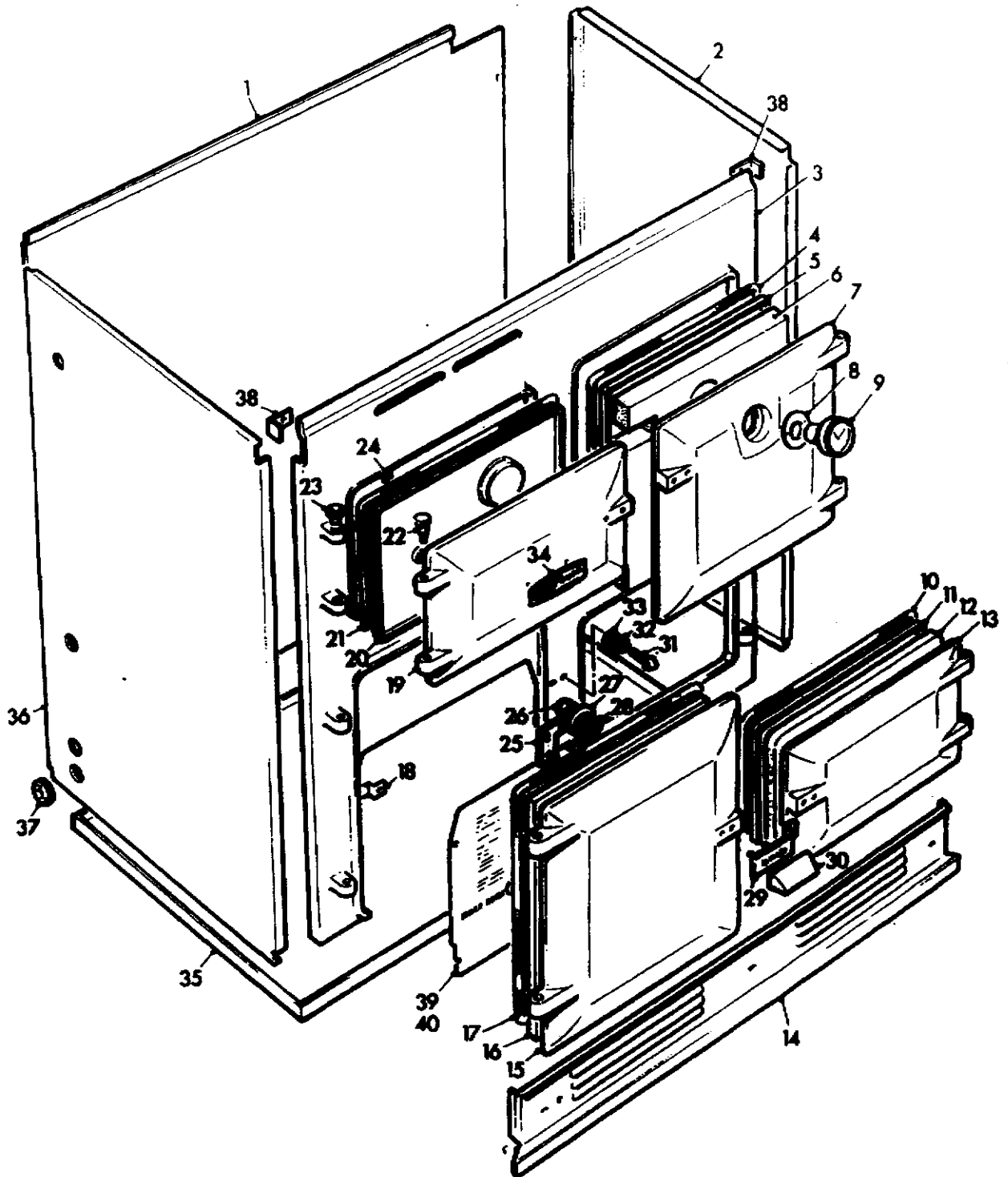


RAYBURN

RAYBURN 480K

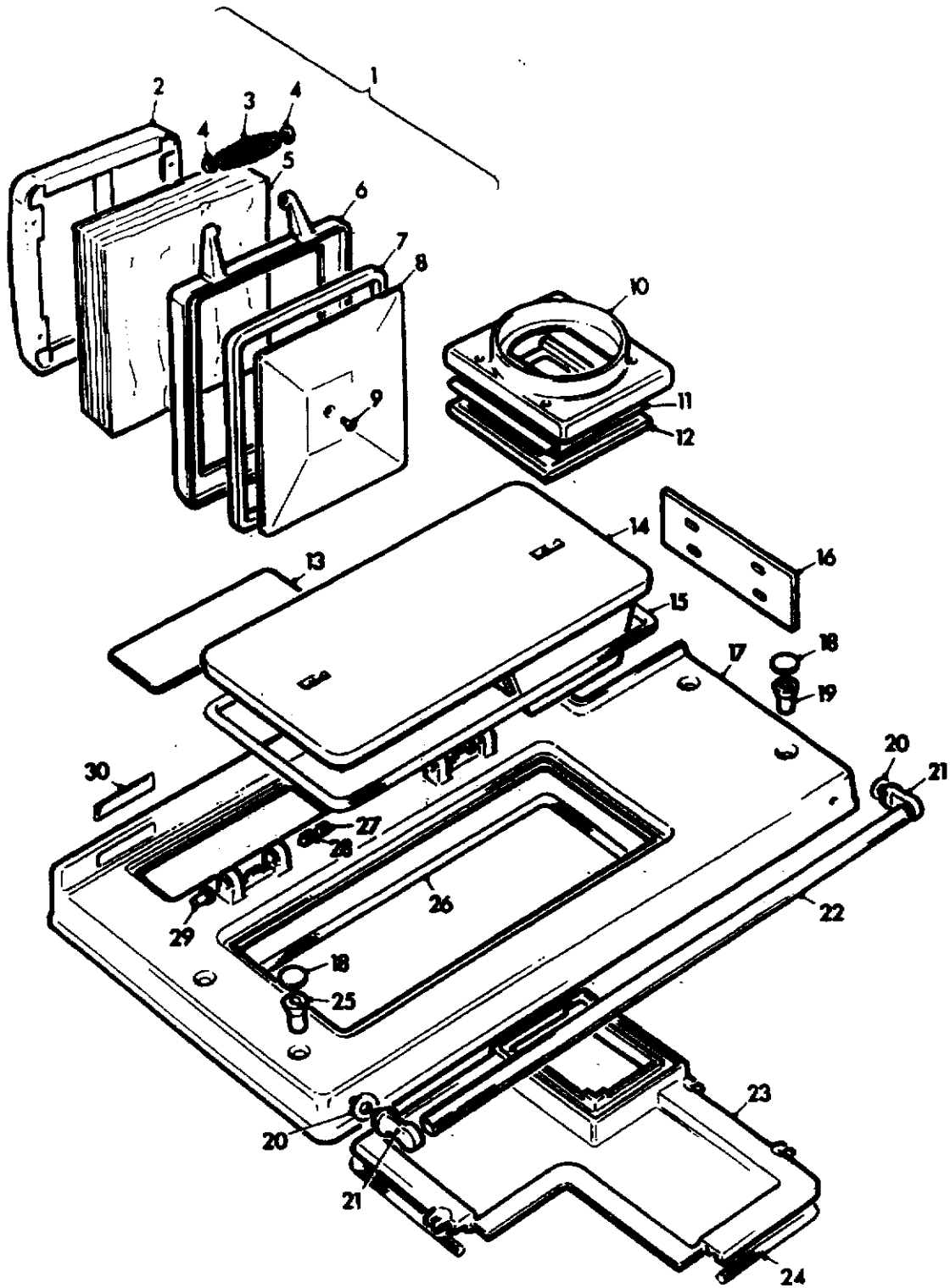


OUTER SHELL

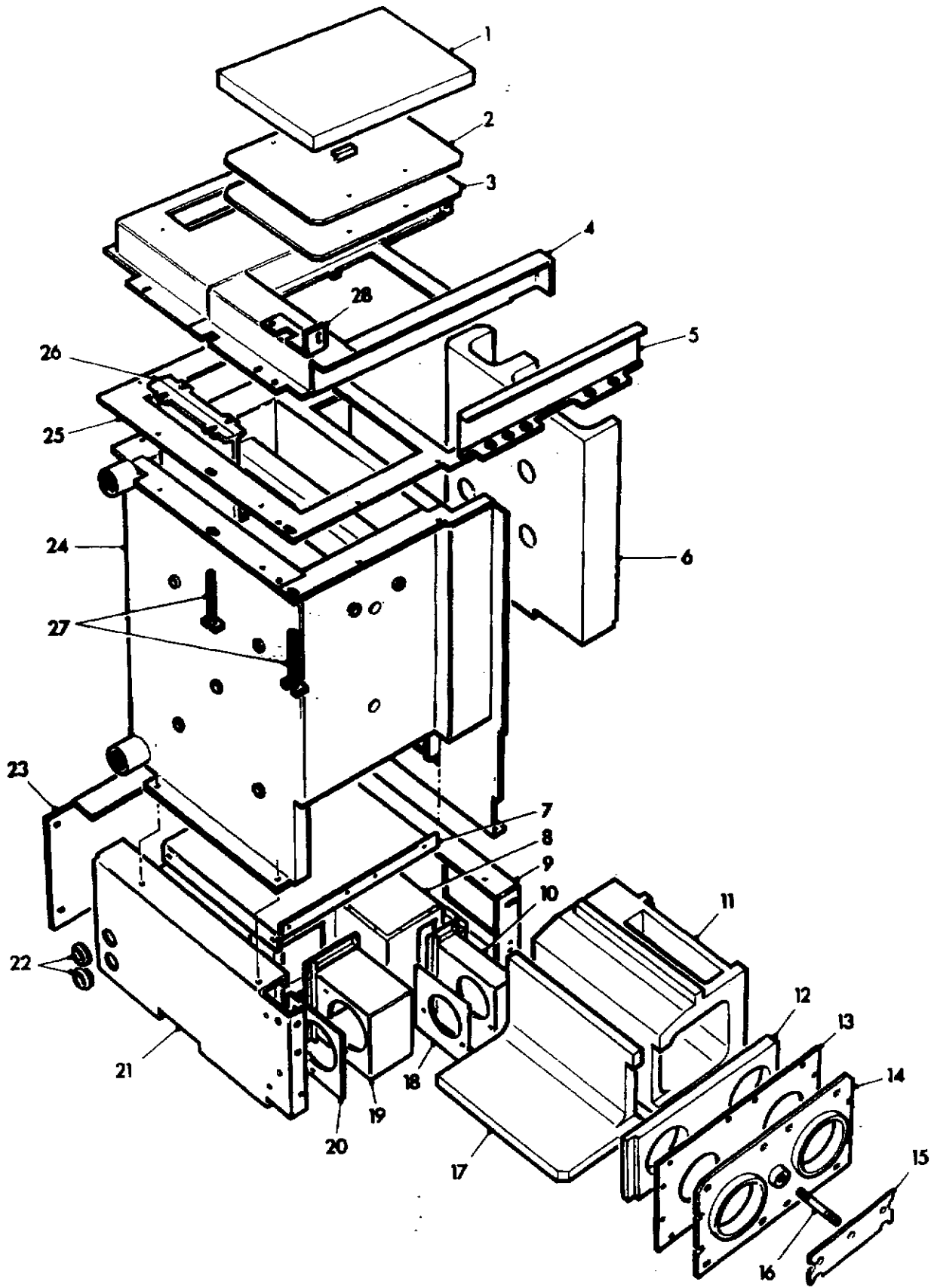


TOP PLATE

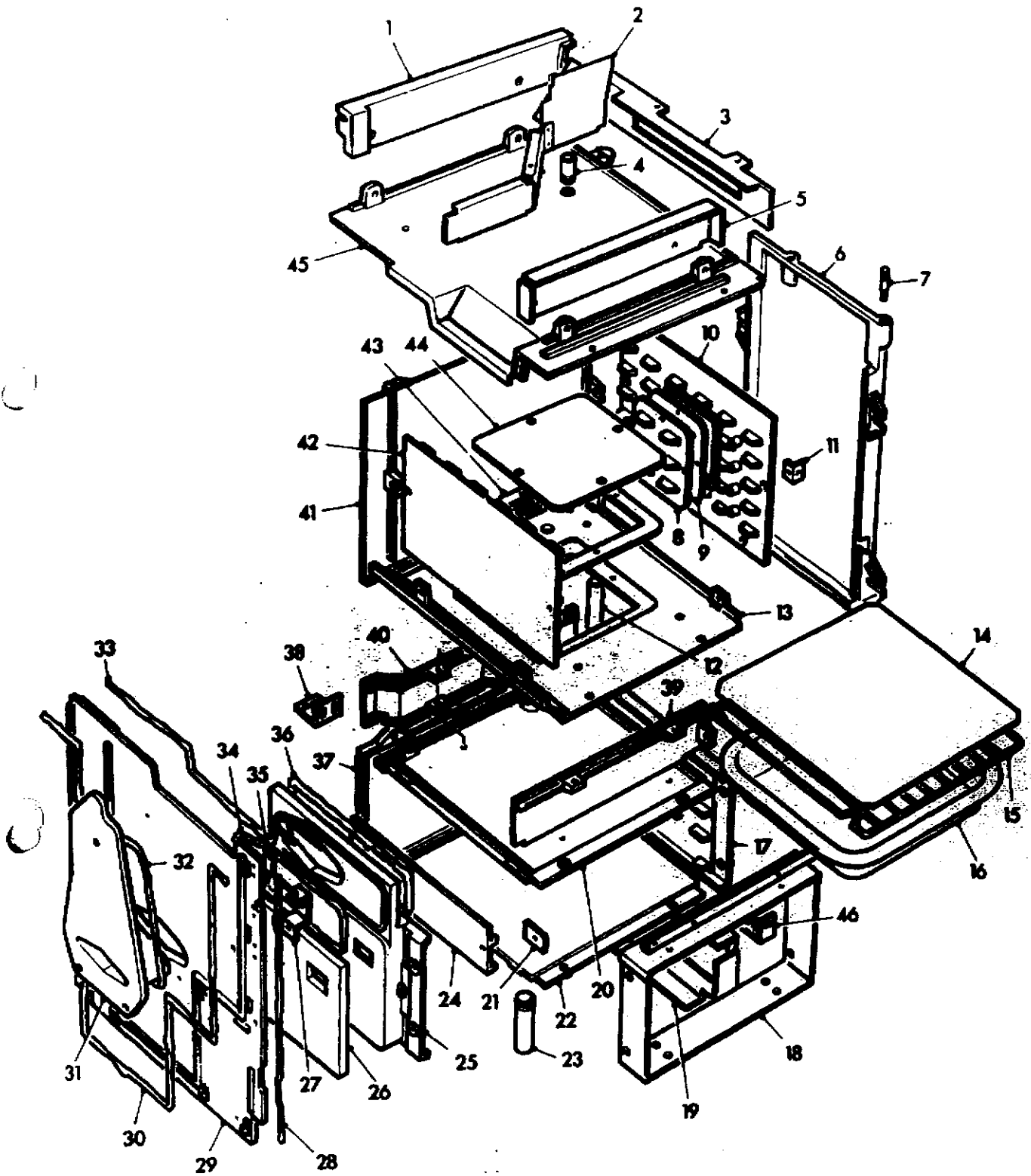
RAYBURN
480K



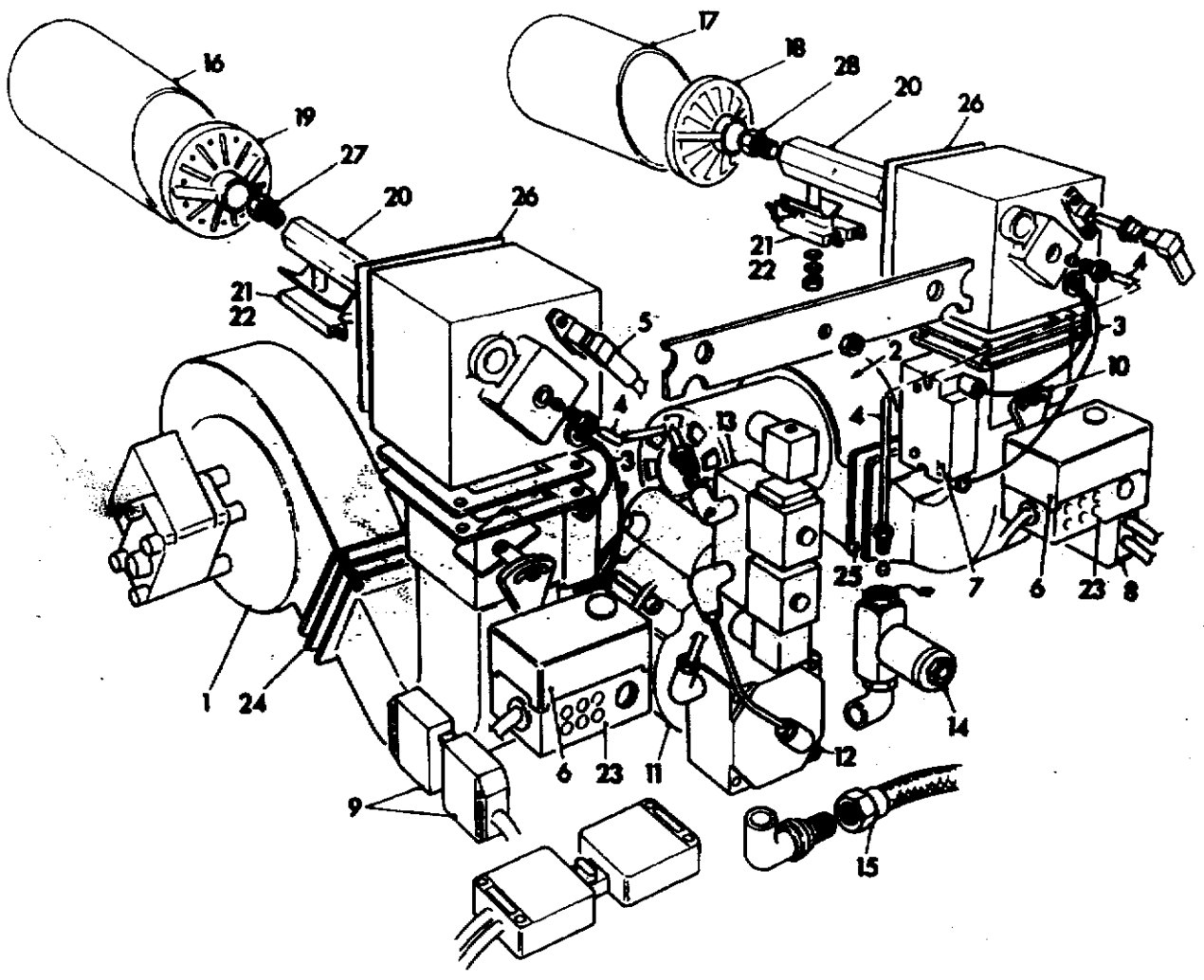
0015

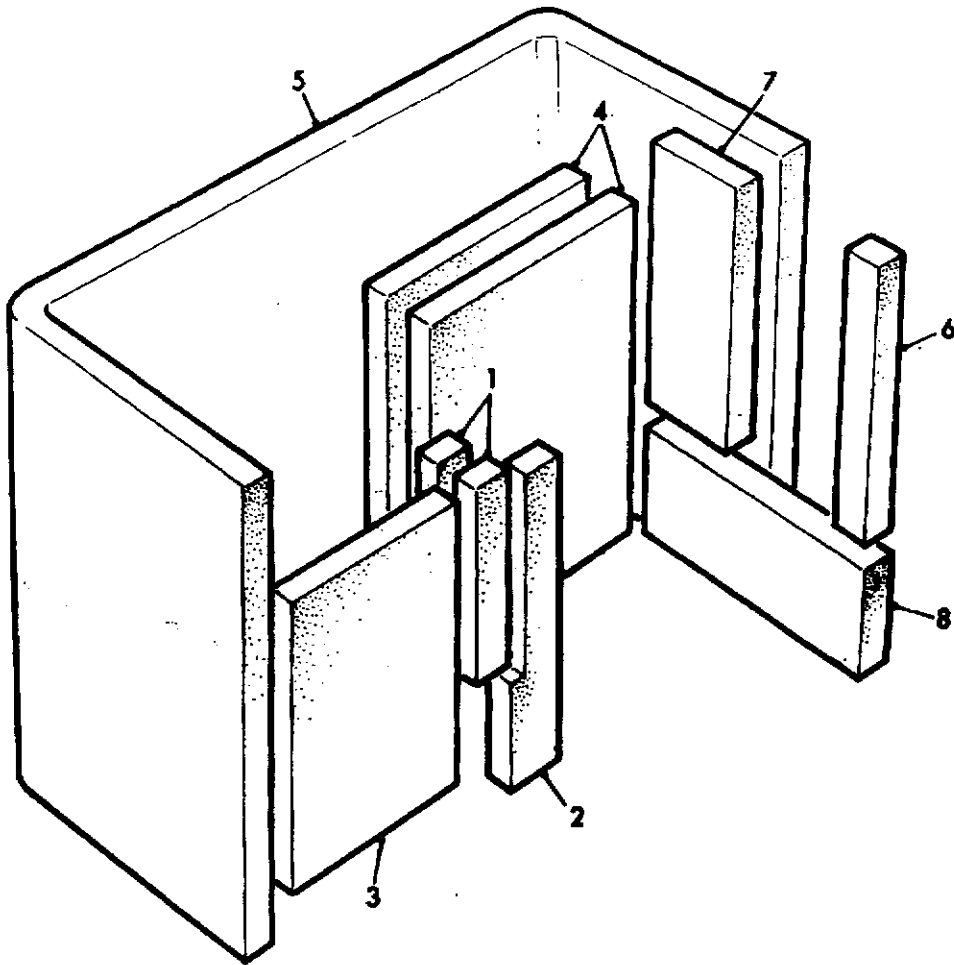


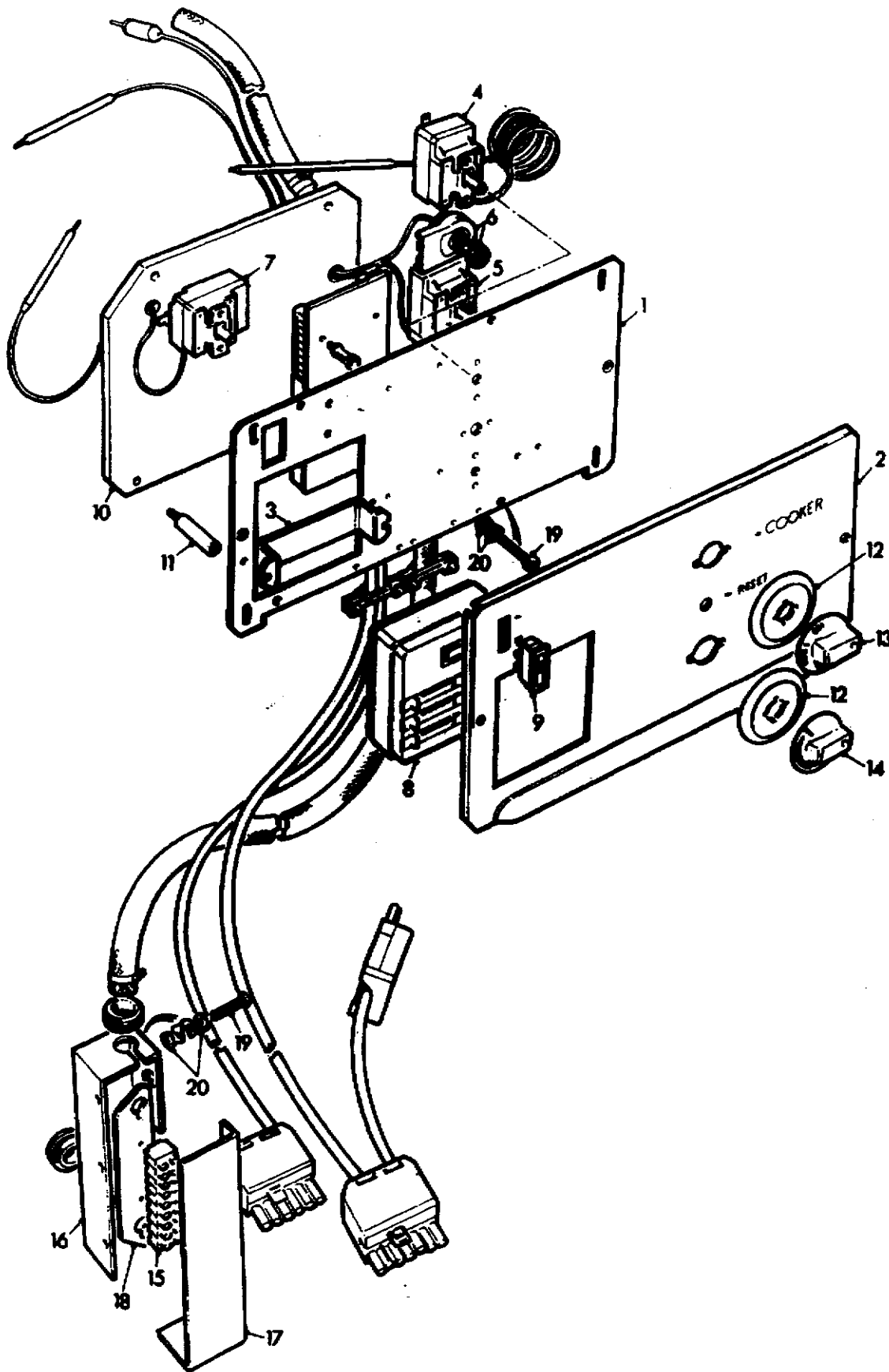
0012



0013



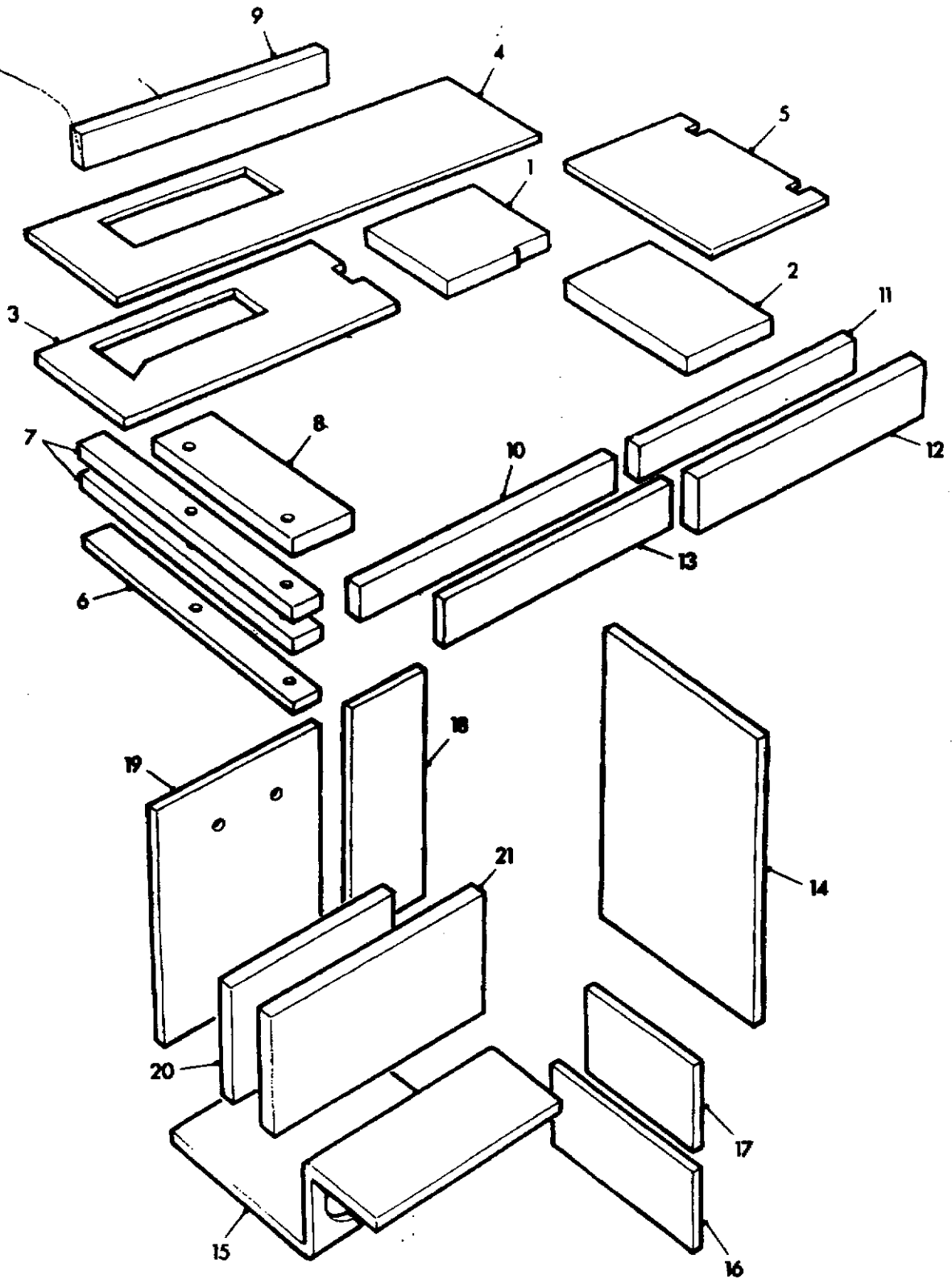




0017

INSULATION (POLYMAT)

RAYBURN
480K



0019

RAYBURN 480K

| Subble Number | Cat. No. | Description | Product Code |
|---------------|----------|---------------------------------------|-----------------|
| 1 | R2576 | BACK PANEL | RO2V340021 |
| 2 | R2544 | PANEL - RH SIDE | RO2V340019 |
| 3 | R2593 | FRONT PLATE COMPLETE WITH DOORS | RO1M-PP-DR-480K |
| 4 | R2642 | SEAL - TOP OVEN DOOR | JMAR340255 |
| 5 | R2616 | PANEL - TOP OVEN DOOR LINING | RO2M340179 |
| 6 | R2769 | PAD - TOP OVEN DOOR INSULATION | JPAD340293 |
| 7 | R2590 | TOP OVEN DOOR ASSEMBLY | RO9M340305COMP |
| 9 | R2676 | OVEN THERMODIAL BI-METAL ROUND | RO4T340295 |
| 10 | R2641 | SEAL - BOTTOM OVEN DOOR | JMAR340256 |
| 11 | R2974 | LINING PANEL - BOTTOM OVEN DOOR | RO2M313313 |
| 12 | R2975 | PAD - INSULATION | JPAD340466 |
| 13 | R2591 | SHIMMING OVEN DOOR ASSEMBLY | RO9M340325COMP |
| 14 | R2575 | FLINTH | RO2V340016 |
| 15 | R2618 | OUTER BURNER DOOR ONLY - ENAMELLED - | RO5E340107 |
| 16 | R2652 | PANEL - BURNER DOOR LINING | RO2M340233 |
| 17 | R2640 | SEAL - BURNER ACCESS DOOR | JMAR340258 |
| 18 | R2746 | BRACKET - INFILL SECURING PANEL | RO2V340286 |
| 19 | R2617 | OUTER CONTROL DOOR ONLY - ENAMELLED - | RO5E340106 |
| 20 | R2638 | CONTROL DOOR LINING PANEL ASSEMBLY | RO4M340303 |
| 21 | R2639 | SEAL - CONTROL ACCESS DOOR | JMAR340257 |
| 22 | R2633 | DOOR HINGE PIN | RO4M340227 |
| 23 | R2759 | BUSH - DOOR HINGE | RO4M340226 |
| 24 | R2747 | BRACKET - CHASSIS FIXING | RO2M340293 |
| 25 | R2752 | BRACKET - DOOR STOP CATCH | RO2M340349 |
| 26 | R2738 | FLANGE NUT M8 | KNUT500257 |

Issue date: 10/10/96
Issue number: .00

RAYBURN 480K

Page 1

RAYBURN 480K

| Bubble Number | Cat. No. | Description | Product Code |
|------------------|----------|---|----------------|
| 27 | R2754 | WASHER - SPRING RETAINING | KWSR340298 |
| 28 | R2757 | SPRING - DOOR CATCH | RO4M340297 |
| 29 | R2680 | DOOR CATCH ASSY - OVEN DOORS | RO4M340181 |
| 30 | R2548 | DOOR HANDLE C/W SCREWS | RS9M31530-480K |
| 31 | R2753 | DOOR KEEP | RO4M340185 |
| 32 | R2745 | AIR DUCT - CONTROLS | RO2M340134 |
| 33 | R2755 | WASHER - DOOR KEEP AF2200 | JWSR340334 |
| 34 | R2218 | NAME BADGE "RAYBURN" | RO4M330013 |
| 35 | R2780 | BASE PLATE | RO5M340075 |
| 36 | R2545 | PANEL - LH SIDE | RO2V340020 |
| 37 | R2709 | GROMMET BLACK MELVIN OC HV4029 | AO4M31370 |
| 38 | R2737 | FIXING BRACKET | RO2M313022 |
| 39 | R2650 | PLAQUE - LIGHTING INSTRUCTIONS | RO4M340302 |
| 40 | R2709 | GROMMET BLACK MELVIN OC HV4029 | AO4M31370 |
| TOP PLATE | | | |
| 1 | R2574 | INSULATING COVER ASSEMBLY - SPINDLE TYPE | RO3M340315 |
| 2 | R2766 | INSULATING COVER C/P | RO4M340276 |
| 3 | R3028 | COIL HANDLE - NEW TYPE | RO4M340522 |
| 4 | R3029 | CUP - COIL HANDLE - NEW TYPE | RO4M340521 |
| 5 | R2767 | PAD - COVER INSULATION | JPAD340307 |
| 6 | R2555 | INSULATING COVER BASE - V.E | RO5E340274 |
| 7 | R3010 | SEAL - INSULATING COVER | JNAR340438 |
| 8 | R1614 | INSULATING COVER LINING PLATE | RO2E340773 |
| 9 | R3012 | SCREWS 22/5 CP -SET OF 4- FOR FLUE DIVERTOR | RO9M50712SET4 |

Issue date: 10/10/96
Issue number: .00

RAYBURN 480K

Page 2

RAYBURN 480K

| Bubble Number | Cat. No. | Description | Product Code |
|---------------|----------|--|----------------|
| 10 | R2455 | FLUE SPIGOT V.E. | RO5E321138 |
| 11 | R3032 | PLATE - SPIGOT ADJUSTMENT | RO2M321216 |
| 12 | R2651 | PLATE - SPIGOT FIXING | RO2M321217 |
| 13 | R1786 | HOB FILLER ACCESS PLATE | RS5E3-15918 |
| 14 | R2999 | HOT PLATE & BAFFLE SUB-ASSEMBLY | RO1M340218 |
| 15 | R1037 | NO.4 THERMOSEAL ROPE FOR HOT PLATE 60" | JTHR20389-60IN |
| 16 | R2743 | HOT PLATE BAFFLE | RO2M340337 |
| 17 | R1510 | HOB - PREPARED FOR TWIN INSUL COVERS - GRUB TYPE | RO9E0-18032 |
| 18 | R1713 | STAY BUTTON | RE4M24420 |
| 19 | R2116 | SET OF 2 CORNER STAY NUTS - SHORT | RS9M53095PR |
| 20 | A1472 | WASHER M10X18MMX1MM AF2200 FOR HANDRAIL BRACKETS | JWSR313206 |
| 21 | A2314 | HANDRAIL BRACKET | AG5E3-9124 |
| 22 | R1723 | CHROME PLATED HANDRAIL | RO4M340837 |
| 23 | R1805 | HOB PROTECTION PLATE M/T | RS5M0-17822 |
| 24 | E1109 | REFER TO STOCKIST | 9ANY |
| 25 | R1066 | CORNER STAY NUT 1/8" | JNUTS3090 |
| 26 | E1109 | REFER TO STOCKIST | 9ANY |
| 27 | R2351 | SCREW M10 X 10MM SOCKET CN/PT GRUB SET OF 4 | RO9M5001658RT4 |
| 28 | R2451 | SCREW M10 X 16MM SOCKET CN/PT GRUB | KGRB500255 |
| 29 | R2349 | PIVOT BEARING - FIXED | RS4M301041 |
| 30 | R1416 | BADGE - 'OIL FIRED' | RO4M35585 |
| BOILER | | | |
| 1 | R2764 | CERAMIC INSULATION - BOILER TOP | JPAD340105 |
| 2 | R2760 | ACCESS DOOR - BAFFLES | RO2V340072 |

Issue date: 10/10/96
Issue number: .00

RAYBURN 480K

Page 3

RAYBURN 480K

| Bubble Number | Cat. No. | Description | Product Code |
|---------------|----------|-------------------------------------|--------------|
| 3 | R2761 | GASKET - ACCESS DOOR Baffles | JGSG340073 |
| 4 | R2585 | FLUE DIVERter ASSEMBLY | RO1M340092 |
| 5 | R2745 | AIR DUCT - CONTROLS | RO2M340134 |
| 6 | R2774 | CERAMIC INSULATION - COOKER FLUE | JPAD340007 |
| 7 | R2729 | BASE - BURNER HOUSING | RO2V340011 |
| 8 | R2583 | REAR COLLECTOR BOX ASSEMBLY | RO1M340219 |
| 9 | R2731 | BOILER SUPPORT BRACKET - RH | RO2V340010 |
| 10 | R2581 | FAN BOX ASSEMBLY - COOKER | RO1M340235 |
| 11 | R2773 | CERAMIC INSULATION - COOKER CHAMBER | JPAD340006 |
| 12 | R2777 | CERAMIC INSULATION - CHAMBER FRONT | JPAD340083 |
| 13 | R2621 | GASKET - BURNER SUPPORT PLATE | JGSG340014 |
| 14 | R2728 | BURNER SUPPORT PLATE | RO5M340013 |
| 15 | R2644 | STRAP - BURNER | RO2V340017 |
| 16 | R2740 | STUD - BURNER STRAP | KSTD340079 |
| 17 | R2772 | CERAMIC INSULATION - BOILER CHAMBER | JPAD340005 |
| 18 | R2705 | GASKET - COOKER BURNER FAN | JGSG340087 |
| 19 | R2582 | FAN BOX ASSEMBLY - BOILER | RO1M340229 |
| 20 | R2704 | GASKET - BOILER BURNER FAN | JGSG340086 |
| 21 | R2732 | BOILER SUPPORT BRACKET - LH | RO2V340009 |
| 22 | R2709 | GROMMET BLACK HELVIN OC HV4029 | AO4M31370 |
| 23 | R2739 | BACK FILLER PLATE | RO2M340061 |
| 24 | R2733 | BOILER BODY M8 ASSEMBLY | RO2V340003 |
| 25 | R2762 | GASKET - BOILER HEAD | JGSG340071 |
| 26 | R2750 | BOILER BAFFLE - MK1 | RO5M340023 |
| 27 | R2749 | LEFT HAND 'T' STUD ASSEMBLY | RO1M340025 |

Issue date: 10/10/96
Issue number: .00

RAYBURN 480K

Page 4

RAYBURN 480K

| Bubble Number | Cat. No. | Description | Product Code |
|---------------|----------|---|--------------|
| 28 | R2637 | BRACKET - FRONT PLATE SUPPORT | RO2V340024 |
| OVENS | | | |
| 1 | R1812 | OVEN TOP BACK FLUE PLATE O.F. | R55M1-16193 |
| 2 | R2586 | FLUE SEPARATOR ASSEMBLY | RO1M340131 |
| 3 | R2797 | OVEN TOP RH FLUE PLATE | RO5M340189 |
| 4 | R2820 | PIPE TOP OVEN VENT 3/4" BSP X 62MM LONG | AS4M37960 |
| 5 | R2798 | FLUE FEATHER FRONT TOP OVEN | RO2M340263 |
| 6 | R2736 | RH DUCT | RO5M340192 |
| 7 | R2599 | STUD - TOP OVEN RH | KSTD340026 |
| 8 | R2604 | ACCESS DOOR - TO RH SIDE | RO5M340259 |
| 9 | R2605 | GASKET - ACCESS DOOR TOP OVEN | JGSG340260 |
| 10 | R2792 | SIDE PLATE - FIXED - RH TOP OVEN | RO5M340193 |
| 11 | R2793 | TOP OVEN SIDE FIXING BRACKET | RS2M93013 |
| 12 | R2788 | VENT PIPE - SIMMERING OVEN TO TOP OVEN | RO4M340310 |
| 13 | R2790 | BASE PLATE - TOP OVEN | RO5M340188 |
| 14 | R1618 | PLAIN OVEN SHELF ALL MODELS | RO2M340757 |
| 15 | R2573 | OVEN GRID SHELF ALL MODELS | RS4M300070 |
| 16 | R1004 | MEAT TRAY | EMTY47744 |
| 17 | R2801 | SIMMERING OVEN RH SIDE | RO5M310003 |
| 18 | R2412 | SIMM. OVEN INS FRAME ASSY C/F & B/F | RG1M310015 |
| 19 | R2781 | BRACKET - SIMMERING OVEN SUPPORT ASSEMBLY | RO1M340076 |
| 20 | R2782 | TOP PLATE - SIMMERING OVEN | RO5M340308 |
| 21 | R2787 | BRACKET - SIMM. OVEN RETAINING C/F & B/F | RG2M313010 |
| 22 | R2783 | BOTTOM PLATE - SIMMERING OVEN | RO5M340309 |

Issue date: 10/10/96
Issue number: .00

RAYBURN 480K

Page 5

RAYSUN 480K

| Bubble Number | Cat. No. | Description | Product Code |
|---------------|----------|---|--------------|
| 23 | R2789 | VENT PIPE - SIMMERING OVEN TO INLET DUCT | RO4M340311 |
| 24 | R2540 | SIMMERING OVEN REMOVABLE LH SIDE C/F & B/F | RO5M310005 |
| 25 | R2784 | SIMMERING OVEN LH SIDE | RO5M340187 |
| 26 | R2771 | INSULATION - SIMMERING OVEN LH SIDE C/F & B/F | JPAD340207 |
| 27 | R2795 | BRACKET - LH TOP OVEN SUPPORT C/F & B/F | RO2M340341 |
| 28 | E1109 | REFER TO STOCKIST | 9ANY |
| 29 | R2778 | FIREBOX SIDE PLATE | RO5M340117 |
| 30 | E1109 | REFER TO STOCKIST | 9ANY |
| 31 | R2730 | INSERT - FIREBOX SIDE (CHROME IRON) | RO4M340118 |
| 32 | E1109 | REFER TO STOCKIST | 9ANY |
| 33 | E1109 | REFER TO STOCKIST | 9ANY |
| 34 | E1109 | REFER TO STOCKIST | 9ANY |
| 35 | R2710 | BLANKING PLATE | RO2M94007 |
| 36 | E1109 | REFER TO STOCKIST | 9ANY |
| 37 | R2785 | SIMMERING OVEN BACK PLATE C/F & B/F | RO5M340513 |
| 38 | R2786 | BRACKET - SIMMERING OVEN SUPPORT | RO2M340060 |
| 39 | R2734 | RH FLUX FEATHER | RO5M340190 |
| 40 | R2735 | LH FLUX FEATHER | RO5M340191 |
| 41 | R1913 | TOP OVEN BACKPLATE | RO5M340460 |
| 42 | R1916 | OVEN SIDE - REMOVABLE- | R5508-RH |
| 43 | R2770 | GASKET - ACCESS DOOR TOP OVEN BASE | JGSG340262 |
| 44 | R2791 | ACCESS DOOR - TOP OVEN BASE | RO5M340261 |
| 45 | R2796 | TOP PLATE - TOP OVEN | RO5M340194 |
| 46 | R3011 | BRACKET - FRONT PLATE FIXING | RO2M340467 |

Issue date: 10/10/96
Issue number: .00

RAYSUN 480K

Page 6

RAYSUN 480K

| Bubble Number | Cat. No. | Description | Product Code |
|---------------|----------|---|--------------------|
| 1 | R2498 | FAN - BOILER UNIT | RO4M340321 |
| 2 | R2499 | FAN - COOKER UNIT | RO4M340322 |
| 3 | R2623 | IGNITOR LEADS | RO4M999414 |
| 4 | R2624 | FEED PIPE KIT | RO4M999415 |
| 5 | R2519 | PHOTOCELL C/W LEAD | MK1 RO9M999377COMP |
| 6 | R2512 | CONTROL BOX | RO4M999376 |
| 7 | R2513 | IGNITION UNIT | RO4M999378 |
| 8 | R2896 | 7 PIN PLUG (B08-049X) | RO4M999512 |
| 9 | R2897 | 6 PIN PLUG (B08-048W) | RO4M999513 |
| 10 | R2898 | AIR FLAP QUADRANT (P02-052H) | RO4M999514 |
| 11 | R2514 | MOTOR - OIL PUMP | RO4M999379 |
| 12 | R2515 | OIL PUMP COMPLETE | RO4M999380 |
| 13 | R2517 | TWIN SOLENOID VALVE | RO4M999382 |
| 14 | R2516 | SOLENOID VALVE | RO4M999381 |
| 15 | R2342 | FLEXIBLE TUBE - E05006X | RO4M999427 |
| 16 | R2627 | BOILER HEAD FLAME TUBE | RO4M999418 |
| 17 | R2628 | COOKER HEAD FLAME TUBE - STAINLESS STEEL | MK1 RO4M999756 |
| 18 | R2899 | COOKER HEAD DIFFUSER (P53-004D) | RO4M999515 |
| 19 | R2900 | BOILER HEAD DIFFUSER WITH HOLES | RO4M999516 |
| 20 | R2901 | NOZZLE HOLDER / INNER ASSEMBLY (M53-002B) | RO4M999517 |
| 21 | R2625 | ELECTRODE ASSEMBLY | RO4M999416 |
| 22 | R2626 | ELECTRODE GASKET | RO4M999045 |
| 23 | R2337 | BASE CONTROL BOX (1102) R3 | RO4M999152 |
| 24 | R2704 | GASKET - BOILER BURNER FAN | JGSG340086 |
| 25 | R2705 | GASKET - COOKER BURNER FAN | JGSG340087 |

Issue date: 10/10/96
Issue number: .00

RAYSUN 480K

Page 7

RAYBURN 480K

| Bubble Number | Cat. No. | Description | Product Code |
|----------------------------|----------|---|--------------|
| 26 | R2621 | GASKET - BURNER SUPPORT PLATE | JG80340014 |
| 27 | R2511 | BURNER NOZZLE - BOILER UNIT | RO4M999375 |
| 28 | R2510 | BURNER NOZZLE - COOKER UNIT 0.4 X 808F | RO4M999374 |
| 999 | R2509 | BURNER ASSEMBLY MK1 | RO4M340285 |
| ELECTRICAL CONTROLS | | | |
| 1 | R3027 | PANEL - CHASSIS CONTROL | RO2M340065 |
| 2 | R2594 | FACIA PANEL | RO1V340081 |
| 3 | R3026 | BRACKET - CONTROL BOX MOUNTING | RO2V340099 |
| 4 | R2500 | THERMOSTAT - COOKER | RO4T340166 |
| 5 | R2501 | THERMOSTAT - BOILER | RO4T340165 |
| 6 | R2502 | THERMOSTAT - PUMP OVER RUN | RO4T340167 |
| 7 | R2503 | THERMOSTAT - OVERHEAT LM7P8503 | RO4T340171 |
| 8 | R2506 | PROGRAMMER - HONEYWELL 699B | RO4M340170 |
| 9 | R1208 | SWITCH TRW (RED) B/F ONLY - FLUE DIVERTOR | RG4M44991 |
| 10 | R2990 | CHASSIS HEAT SHIELD | JPAD340211 |
| 11 | R3025 | PILLAR - NYLON INS M4X38 093941C | RO4M340249 |
| 12 | R3024 | BEZEL CAEN-LP655 | RO4M340168 |
| 13 | R2507 | KNOB - COOKER CONTROL | RO4M340300 |
| 14 | R2508 | KNOB - BOILER CONTROL | RO4M340301 |
| 15 | A2471 | TERMINAL BLOCK - 12-WAY 500A | AE4M45669 |
| 16 | R3023 | HOUSING - TERMINAL BLOCK | RO2M340062 |
| 17 | R3022 | COVER - TERMINAL BLOCK HOUSING | RO2M340063 |
| 18 | R3021 | PLATE - TERMINAL STRIP MOUNTING | RO2M340064 |
| 19 | A2473 | SCREW M5 X 25 POZI PAN HD BRASS | KPAM52590 |

Issue date: 10/10/96
Issue number: 00

RAYBURN 480K

Page 8

RAYBURN 480K

| Bubble Number | Cat. No. | Description | Product Code |
|------------------------------|----------|------------------------------------|----------------|
| 20 | A2472 | NUT M5 HEX FULL BRASS | KNUT52909 |
| INSULATION (ROCKWELL) | | | |
| 1 | R2850 | PAD - BOILER BACK PANEL | JPAD340202 |
| 2 | R2851 | PAD - BOILER BACK PANEL | JPAD340203 |
| 3 | R2852 | INSULATION - BOILER BACK PANEL | JPAD340204 |
| 4 | R2853 | PAD - OVEN BACK PANEL | JPAD340205 |
| 5 | R2854 | INSULATION - OUTER BLANKET WRAP | JPAD340208 |
| 6 | R2855 | PAD - OVEN RH SIDE | JPAD340242 |
| 7 | R2856 | PAD - OVEN RH SIDE | JPAD340243 |
| 8 | R2857 | PAD - OVEN RH SIDE | JPAD340244 |
| INSULATION (POLYMAT) | | | |
| 1 | R2830 | INSULATION COOKER TOP T1 | JPAD340145 |
| 2 | R2831 | INSULATION COOKER TOP T2 | JPAD340146 |
| 3 | R2382 | GLASS FIBRE ROPE 7MM X 2700MM LONG | JTHR20390X2700 |
| 4 | R2607 | INSULATION - COOKER TOP T4 | JPAD340149 |
| 5 | R2833 | INSULATION COOKER TOP T5 | JPAD340147 |
| 6 | R2834 | INSULATION TOP LH SIDE T6 | JPAD340269 |
| 7 | R2835 | INSULATION TOP LH SIDE T7 | JPAD340264 |
| 8 | R2836 | INSULATION TOP LH SIDE T8 | JPAD340150 |
| 9 | R2837 | INSULATION TOP BACK T9 | JPAD340265 |
| 10 | R2838 | INSULATION TOP FRONT T10 | JPAD340266 |
| 11 | R2839 | INSULATION TOP FRONT T11 | JPAD340267 |
| 12 | R2840 | INSULATION TOP FRONT T12 | JPAD340268 |
| 13 | R2841 | INSULATION TOP OVEN FRONT T13 | JPAD340206 |

Issue date: 10/10/96
Issue number: 00

RAYBURN 480K

Page 9

RAYBORN 460K

| Bubble Number | Cat. No. | Description | Product Code |
|---------------|----------|--------------------------------------|--------------|
| 14 | R2842 | INSULATION RH SIDE | JPAD340155 |
| 15 | R2843 | INSULATION BURNER CHAMBER BOTTOM B1 | JPAD340270 |
| 16 | R2844 | INSULATION BURNER CHAMBER RH SIDE B2 | JPAD340271 |
| 17 | R2845 | INSULATION BURNER CHAMBER RH SIDE B3 | JPAD340272 |
| 18 | R2846 | INSULATION BOILER FRONT F1 | JPAD340152 |
| 19 | R2847 | INSULATION BOILER FRONT F2 | JPAD340153 |
| 20 | R2848 | INSULATION BOILER FRONT F3 | JPAD340151 |
| 21 | R2849 | INSULATION BOILER FRONT F4 | JPAD340154 |

Issue date: 10/10/96

RAYBORN 460K

Page 10

460K RAYBORN BURNER

| Bubble Number | Cat. No. | Description | Product Code |
|---------------|----------|--|----------------|
| 1 | R2498 | FAN - BOILER UNIT | RO4M340321 |
| 2 | R2499 | FAN - COOKER UNIT | RO4M340322 |
| 3 | R2623 | IGNITOR LEADS | RO4M999414 |
| 4 | R2624 | FEED PIPE KIT | RO4M999415 |
| 5 | R2519 | PHOTOCELL C/W LEAD | RO9M999177COMP |
| 6 | R2512 | CONTROL BOX | RO4M999376 |
| 7 | R2513 | IGNITION UNIT | RO4M999378 |
| 8 | R2896 | 7 PIN PLUG (B08-049X) | RO4M999512 |
| 9 | R2897 | 6 PIN PLUG (B08-048W) | RO4M999513 |
| 10 | R2898 | AIR FLAP QUADRANT (P02-052H) | RO4M999514 |
| 11 | R2514 | MOTOR - OIL PUMP | RO4M999379 |
| 12 | R2515 | OIL PUMP COMPLETE | RO4M999380 |
| 13 | R2517 | TWIN SOLENOID VALVE | RO4M999382 |
| 14 | R2516 | SOLENOID VALVE | RO4M999381 |
| 15 | R2342 | FLEXIBLE TUBE - E05006X | RO4M999427 |
| 16 | R2627 | BOILER HEAD FLAME TUBE | RO4M999418 |
| 17 | R2628 | COOKER HEAD FLAME TUBE - STAINLESS STEEL NK1 | RO4M999756 |
| 18 | R2899 | COOKER HEAD DIFFUSER (P53-004D) | RO4M999515 |
| 19 | R2900 | BOILER HEAD DIFFUSER WITH HOLES | RO4M999516 |
| 20 | R2901 | NOZZLE HOLDER / INNER ASSEMBLY (M53-002B) | RO4M999517 |
| 21 | R2625 | ELECTRODE ASSEMBLY | RO4M999416 |
| 22 | R2626 | ELECTRODE GASKET | RO4M999045 |
| 23 | R2337 | BASE CONTROL BOX (1102) R3 | RO4M999152 |
| 24 | R2704 | GASKET - BOILER BURNER FAN | JGSG340086 |
| 25 | R2705 | GASKET - COOKER BURNER FAN | JGSG340087 |

Issue date: 4/10/96

460K RAYBORN BURNER

460K RAYBORN BURNER

Page 1

| Bubble Number | Cat. No. | Description | Product Code |
|---------------|----------|--|--------------|
| 26 | R2621 | GASKET - BURNER SUPPORT PLATE | JGSG340014 |
| 27 | R2511 | BURNER NOZZLE - BOILER UNIT | RO4M999375 |
| 28 | R2510 | BURNER NOZZLE - COOKER UNIT 0.4 X 805F | RO4M999374 |